

INSTALLATION INSTRUCTIONS GRATE FEET KIT. 15-11-039 (413552)

**MODELS: PRO COOKTOPS GPS AND RANGES PRSE, PRSG
MODELS: RANGES RDF, RDFS, RDSS AND RDDS
MODELS: COOKTOPS SGC AND SGCS**

CONDITIONS:

The grate feet supports loosen and fall off the underside of the grates causing the grate to wobble.

PROBABLE CAUSE:

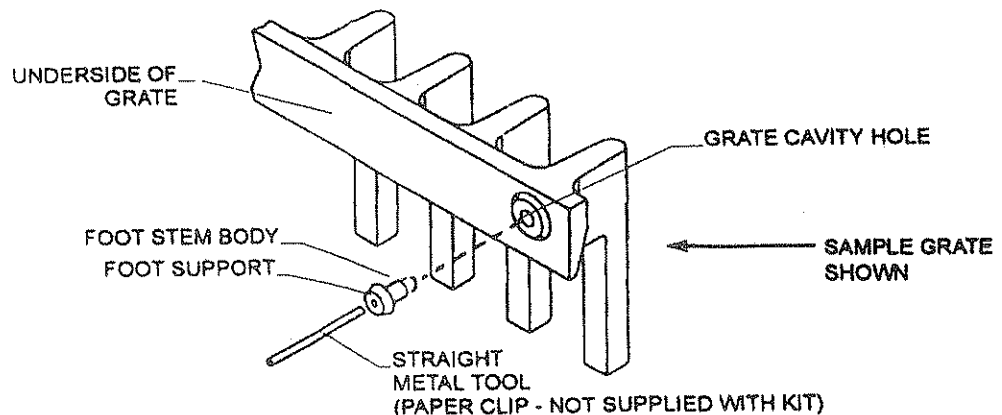
When the Foot Support and sealant is not properly inserted into the hole wall in the grate cavity, air bubbles develop.

CORRECTION:

A service kit is available. Order Kit No. 413552 which consists of (4) Feet Supports and Instructions Sheet. We suggest straightening a metal paper clip to use for inserting the foot support. **NOTE: Due to the limited shelf life of silicon, it is not included in the kit. Silicon sealants have a very high temperature resistance, but have up to one year of shelf life. They may be available in a local hardware store.**

INSTRUCTIONS:

1. Insert wire or straightened paper clip in foot support as shown in the figure below.
2. Apply liquid silicon to stem of foot support.
3. Insert foot into hole in grate. Press wire firmly to push the end of foot to the bottom of the hole. Pushing the bottom of the feet stretches the stem and allows air trapped in the hole to vent.



Lit. No. 96-93-531 Rev. B

50 60 00 06 56 (8006)