



Liberty Furniture
INDUSTRIES, INC

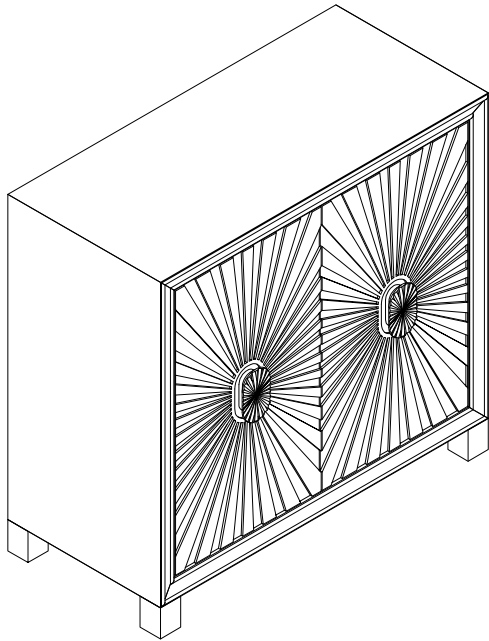
LIBERTY FURNITURE

ASSEMBLY INSTRUCTIONS

ITEM#:2041-AC3839

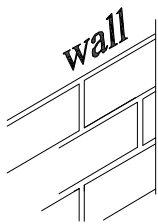
DESCRIPTION: 2 DOOR WINE ACCENT CABINET

Thank you for purchasing this quality product. Be sure to check all packing material carefully for small parts, which may have come loose inside the carton during shipment. Identify and count all parts and compare with the parts list below.



HARDWARE LIST

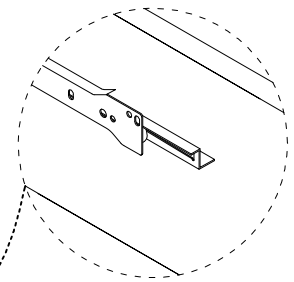
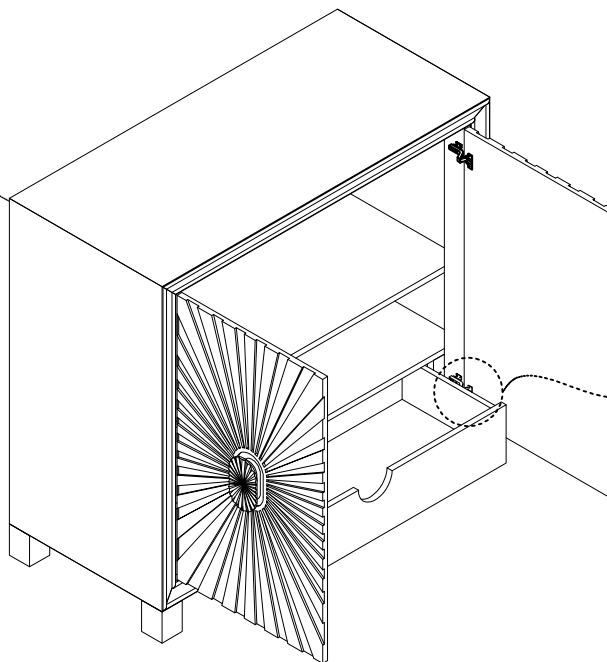
NO.	Drawing	Description	Quantity
A		Tipping Restraint	1pc



Wall

A

Furniture Tipping Restraint must always be used to prevent the furniture from tipping



Pull to remove drawer



Liberty Furniture
INDUSTRIES, INC

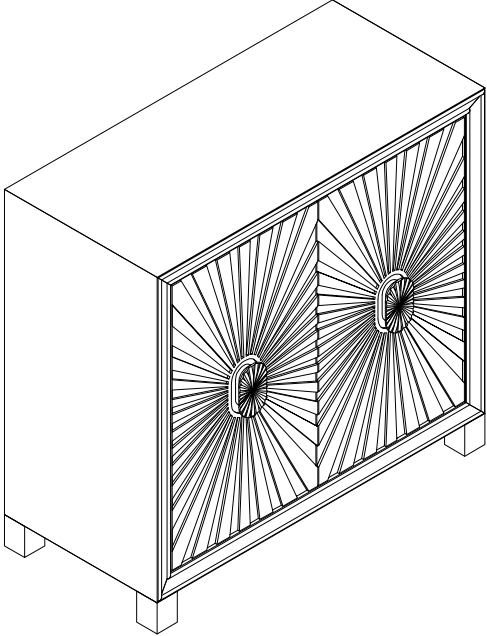

LIBERTY FURNITURE

ASSEMBLY INSTRUCTIONS

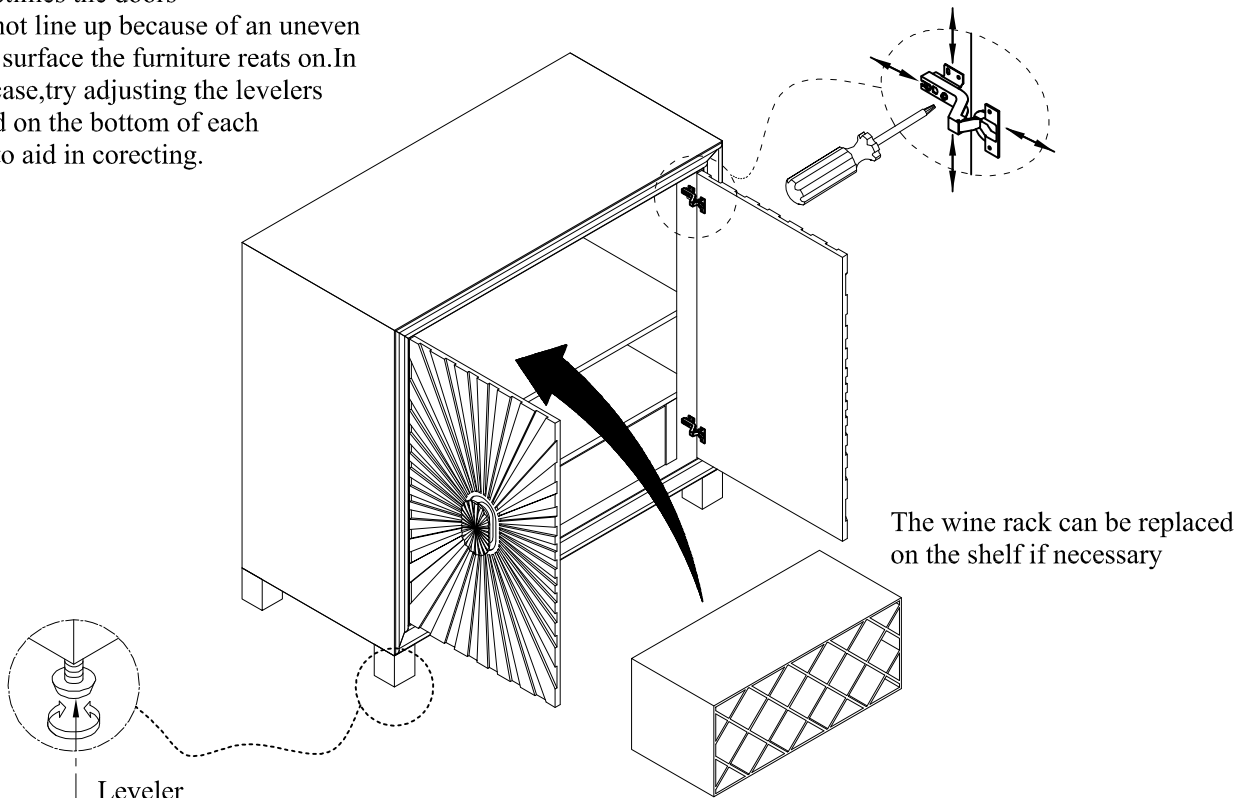
ITEM#:2041-AC3839

DESCRIPTION: 2 DOOR WINE ACCENT CABINET

Thank you for purchasing this quality product. Be sure to check all packing material carefully for small parts, which may have come loose inside the carton during shipment. Identify and count all parts and compare with the parts list below.

	HARDWARE LIST	
	PHILIPS SCREWDRIVER	

Sometimes the doors will not line up because of an uneven floor surface the furniture rests on. In that case, try adjusting the levelers found on the bottom of each foot to aid in correcting.



Leveler