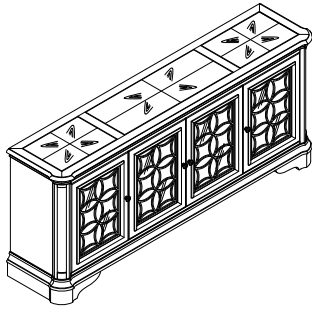




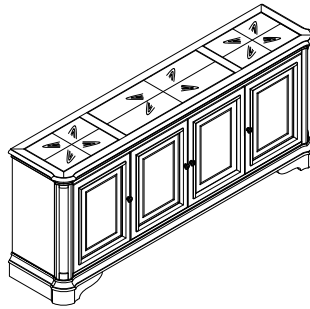
ITEM#: **244-TV84**

DESCRIPTION: **TV CONSOLE**

Thank you for purchasing this quality product. Be sure to check all packing material carefully for small parts which may have come loose inside the carton during shipment. Identify and count all parts and compare with the parts List Below:



**OPTIONAL ANTIQUE
MIRRORED GLASS**



**OPTIONAL
WOOD DOOR**

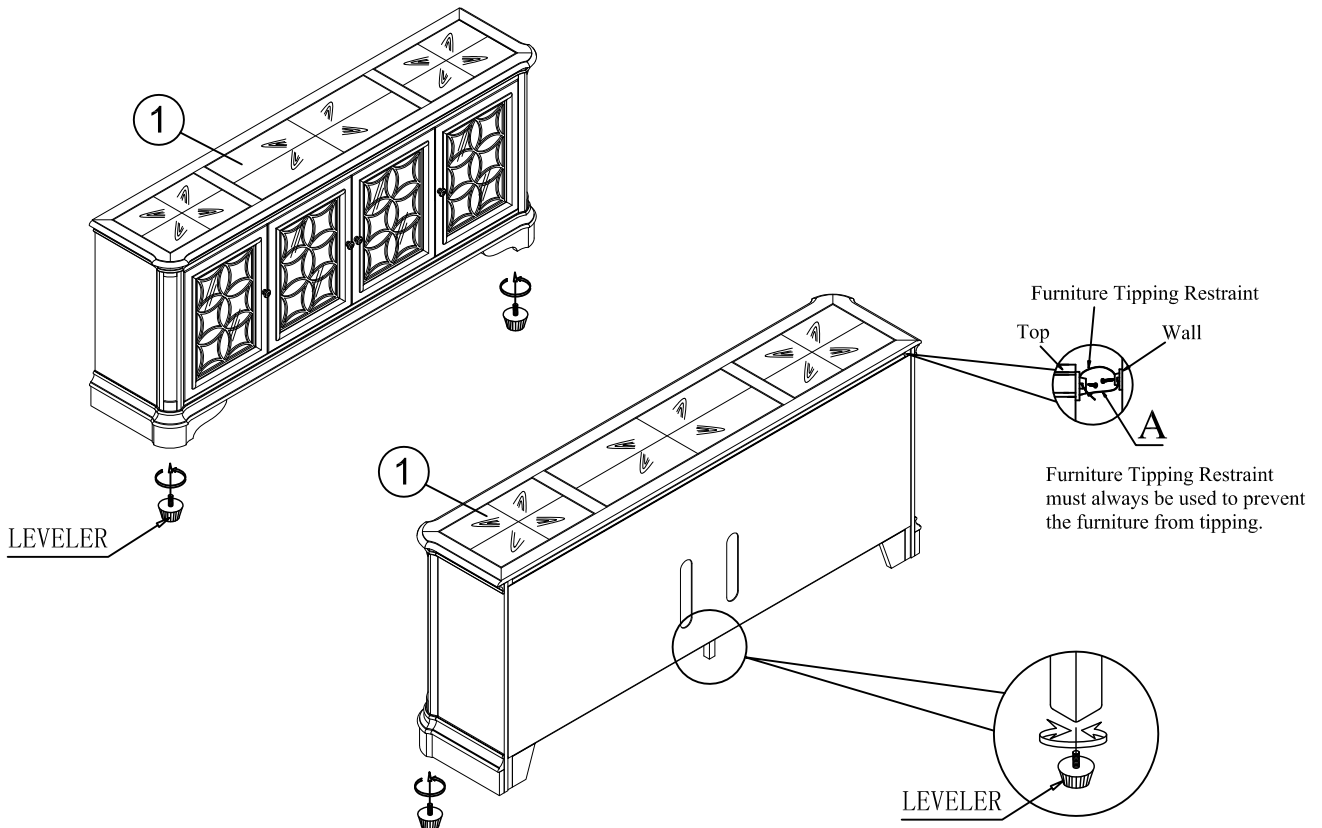
PART LIST:

①		②	
TV STAND: 1PC		WOOD PANEL: 4PCS	

HARDWARE LIST

NO.	Drawing	Description	Q'ty
A		Furniture Tipping Restraint	1 Set

1. Remove wood panel from inner box



CLEANING INSTRUCTION

Clean the TV Console surface with a furniture polish and a soft cloth.

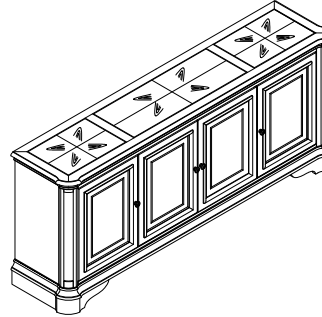
Made in VietNam

ASSEMBLY INSTRUCTION

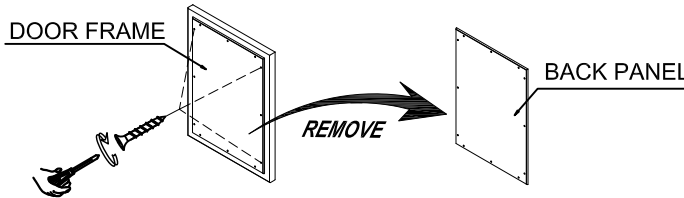
DESCRIPTION: TV CONSOLE

ITEM#: 244-TV84

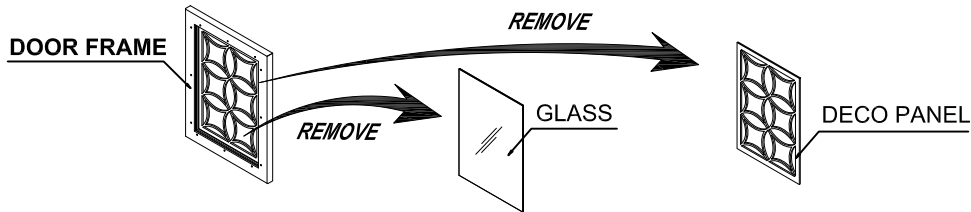
OPTIONAL WOOD PANEL



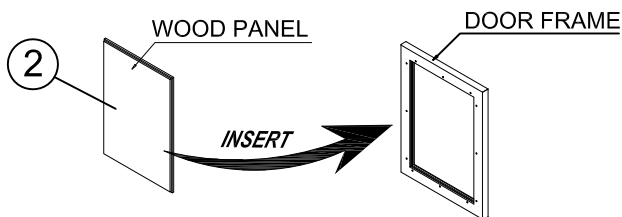
STEP 1: Open the door back panel



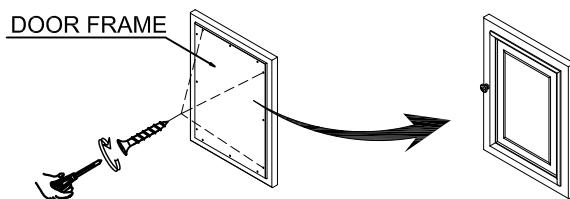
STEP 2: Remove antique mirrored glass



STEP 3: Insert wood panel



STEP 4: Attach the door back panel with decorative screw



CLEANING INSTRUCTION

Clean the TV Console surface with a furniture polish and a soft cloth.