



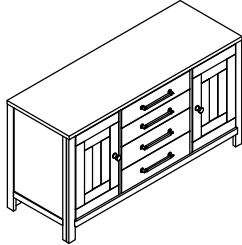
Liberty Furniture INDUSTRIES, INC

ASSEMBLY INSTRUCTION

DESCRIPTION: CREDENZA

ITEM#: 406-HO120

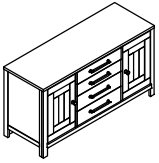
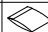
Thank you for purchasing this quality product. Be sure to check all packing material carefully for small parts which may have come loose inside the carton during shipment. Identify and count all parts and compare with the parts List Below:

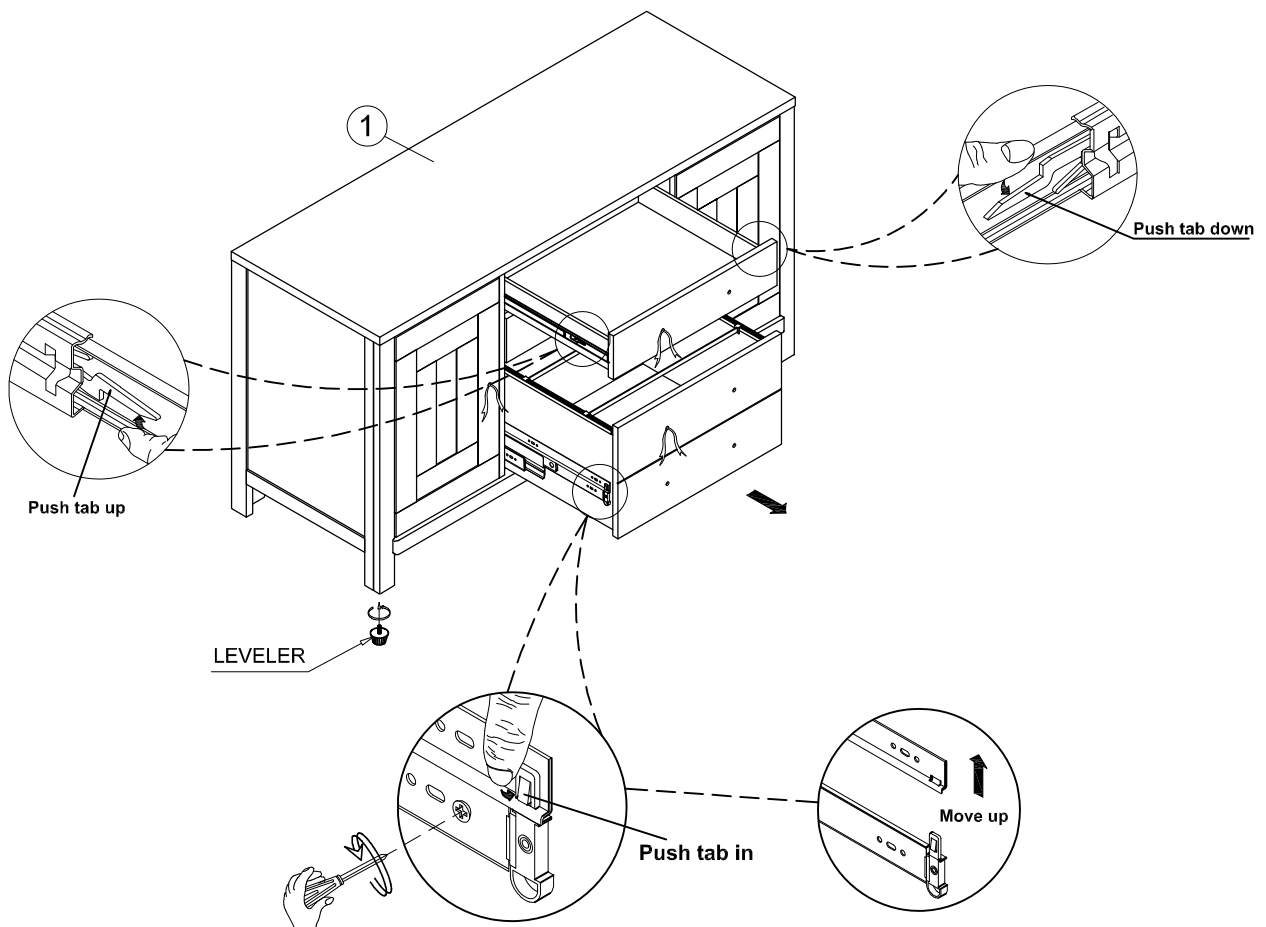


HOW TO REMOVE DRAWER

To remove drawer, simultaneously pull tab up on one side and push down on the other and remove drawer.

PARTS LIST:

①			
			
CREDENZA: 1PC			
②			
HARDWARE LIST			
NO.	Drawing	Description	Q'ty
A		Furniture Tipping Restraint	1 Set



CLEANING INSTRUCTION

Clean the Credenza surface with a furniture polish and a soft cloth.

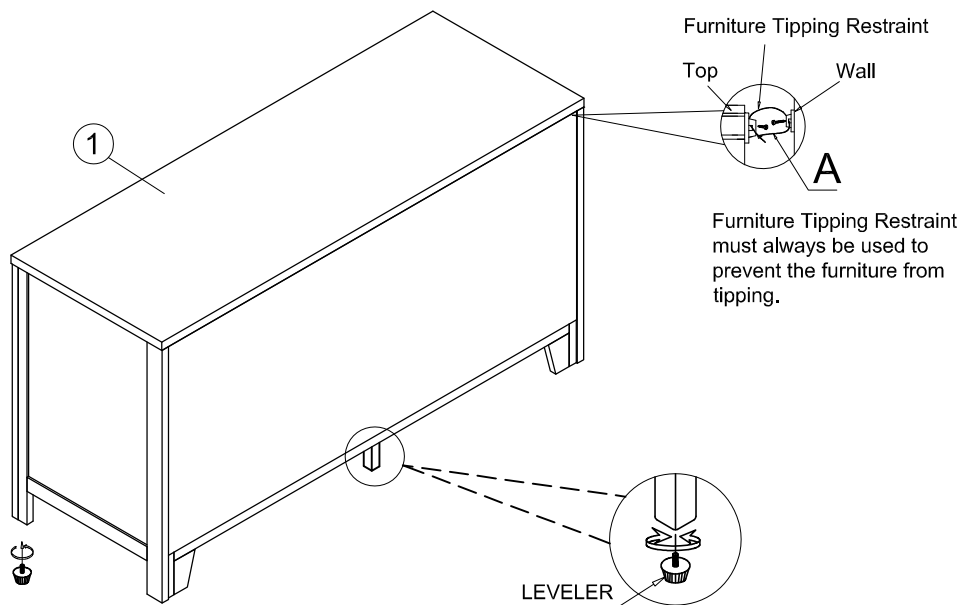
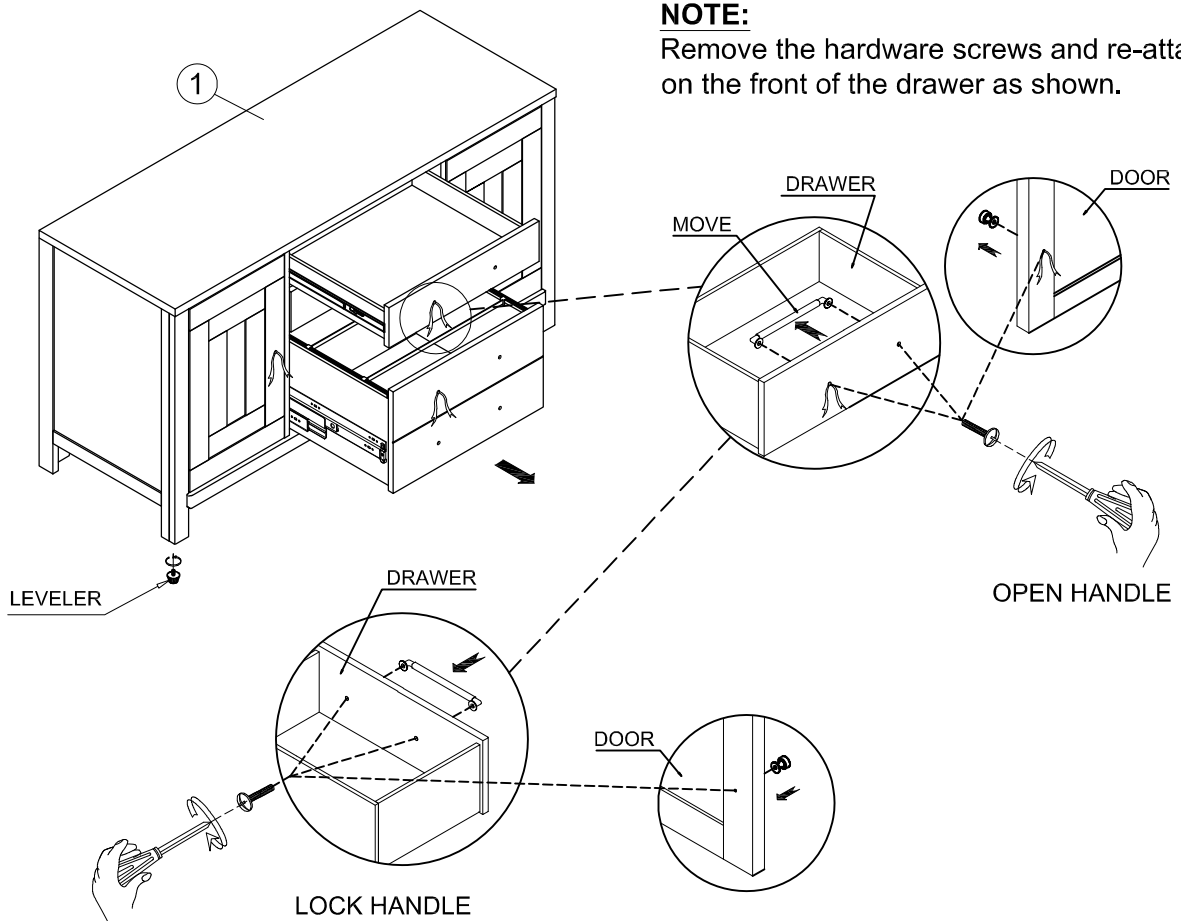
ASSEMBLY INSTRUCTION

DESCRIPTION: CREDENZA

ITEM# : 406-HO120

NOTE:

Remove the hardware screws and re-attach on the front of the drawer as shown.



CLEANING INSTRUCTION

Clean the Credenza surface with a furniture polish and a soft cloth.