




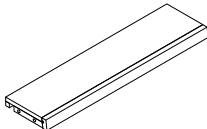
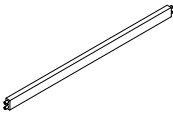
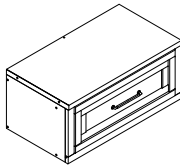


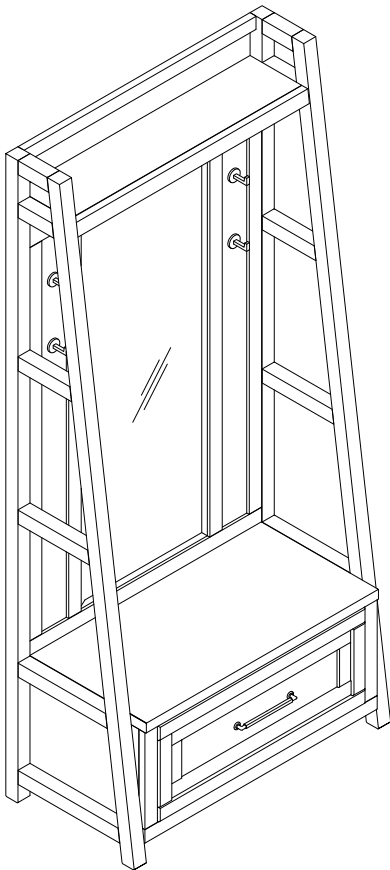
ITEM#: **406-OT1018T/ OT1018B**

DESCRIPTION: **HALL TREE TOP/ HALL TREE BASE**

Thank you for purchasing this quality product. Be sure to check all packing material carefully for small parts which may have come loose inside the carton during shipment. Identify and count all parts and compare with the parts List Below:




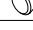
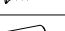


HALL TREE TOP PART LIST:

① 	② 	③ 
LEFT FRAME LEG: 1PC	RIGHT FRAME LEG: 1PC	MIRROR: 1PC
④ 	⑤ 	
SHELF: 1PC	TABLE TOP: 1PC	
		
HALL TREE BASE: 1PC		



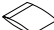
⑥

HARDWARE LIST

NO.	Drawing	Description	Q'ty
A		Bolt (Φ1/4"×1-1/4")	20pcs
B		Spring washer (Ø1/4")	20pcs
C		Flat washer (Ø1/4"×16mm)	20pcs
D		Wood Plug(Ø18x10mm)	4pcs
E		Wood screw(Φ8 x 1-1/2")	2pcs
F		Wood Dowel(Φ10 x 30mm)	8pcs
G		Allen Key (4mm)	1pc

⑦

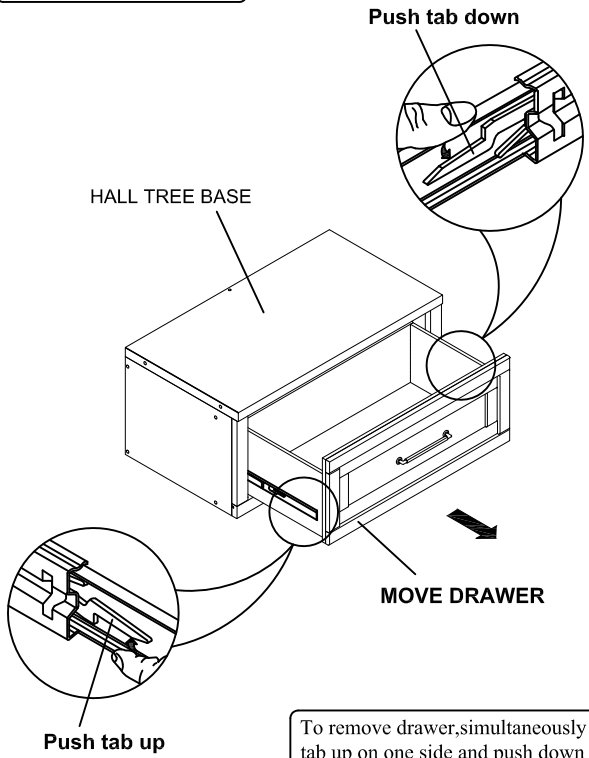
HARDWARE LIST

NO.	Drawing	Description	Q'ty
H		Furniture Tipping Restraint	1pc

CLEANING INSTRUCTION

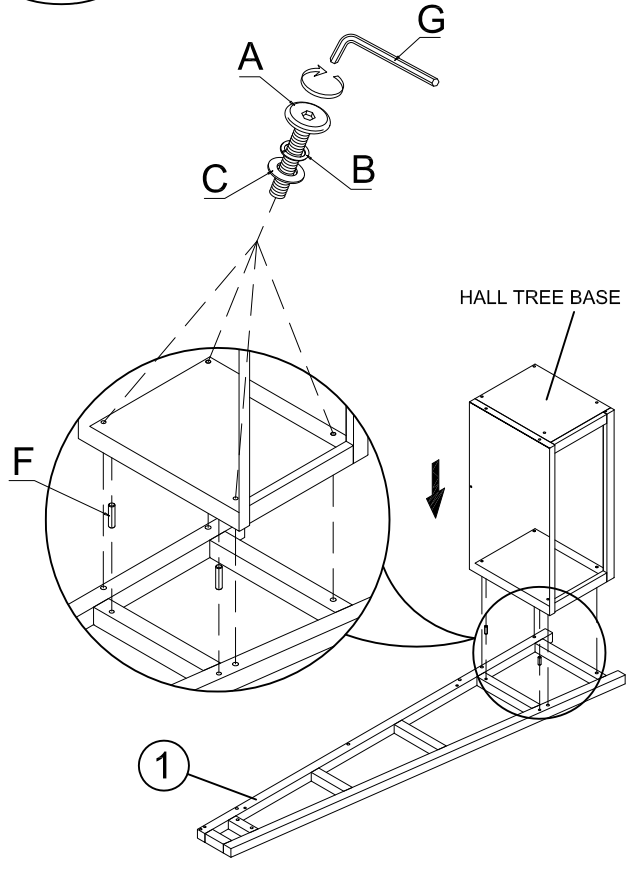
STEP 1

FINISHED ASSEMBLY

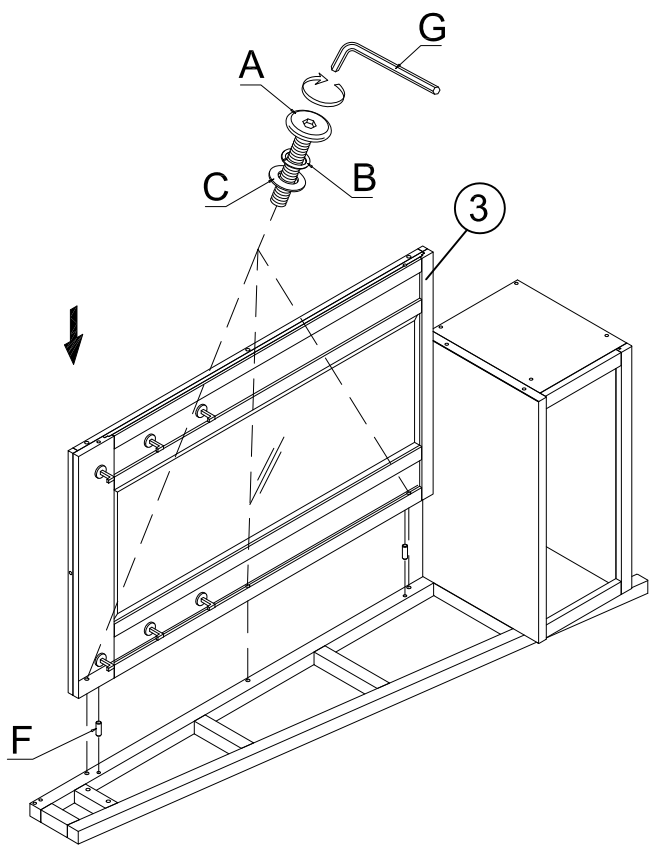


To remove drawer, simultaneously pull tab up on one side and push down on the other and remove drawer.

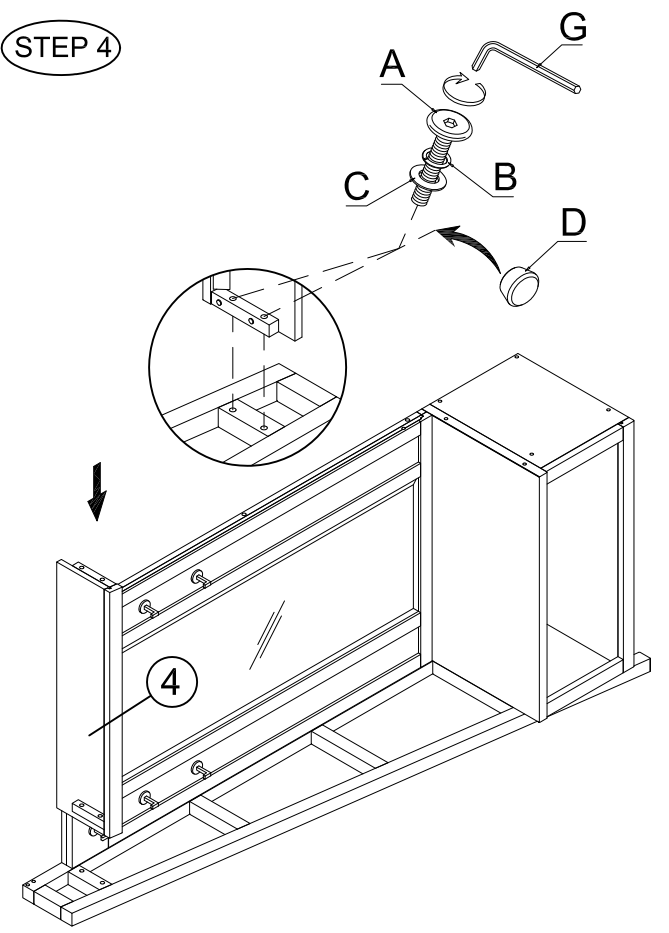
STEP 2



STEP 3

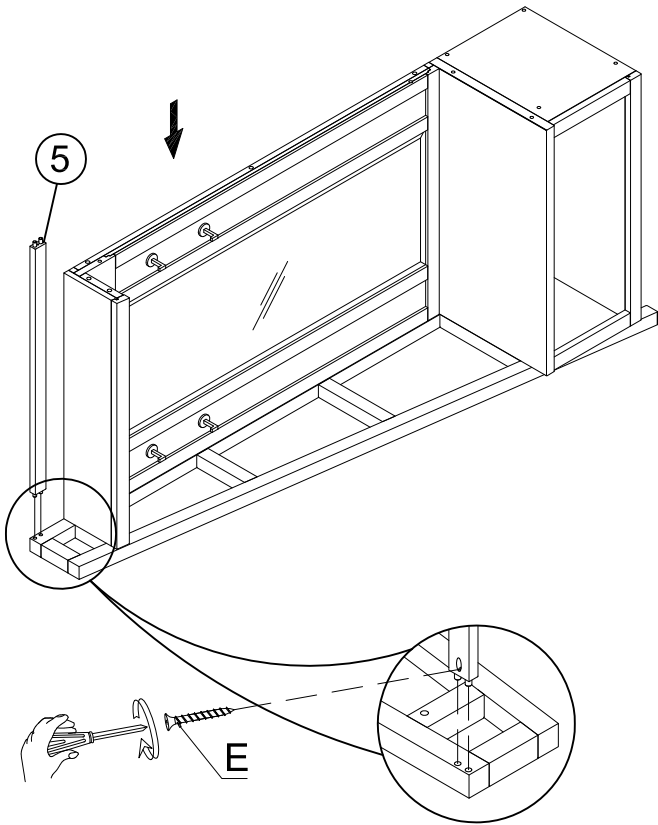


STEP 4

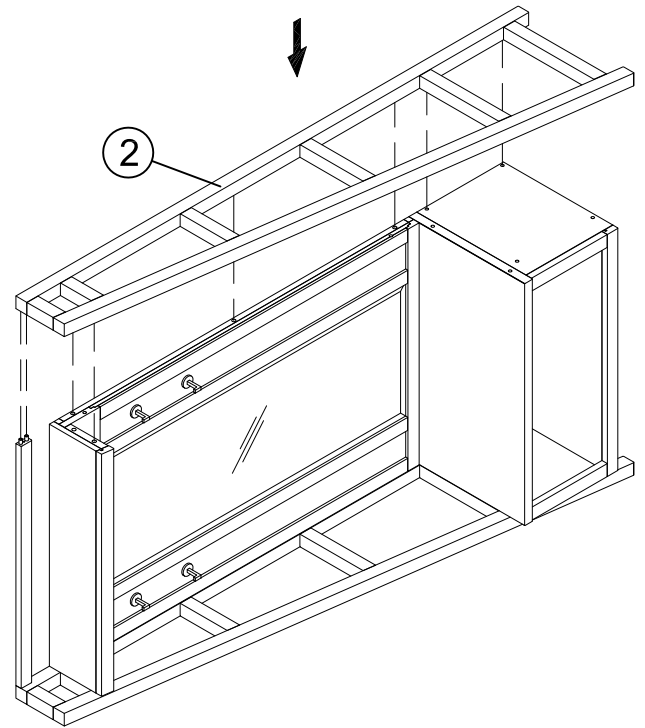


CLEANING INSTRUCTION

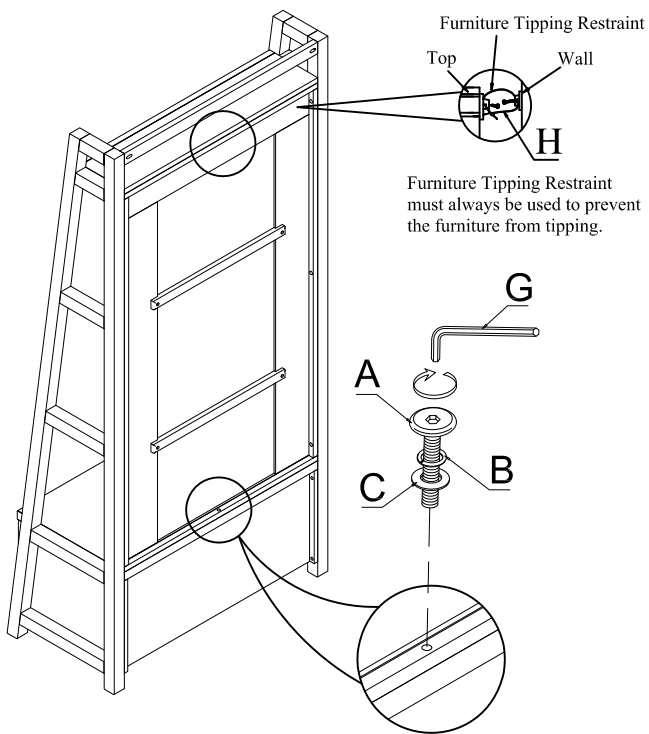
STEP 5



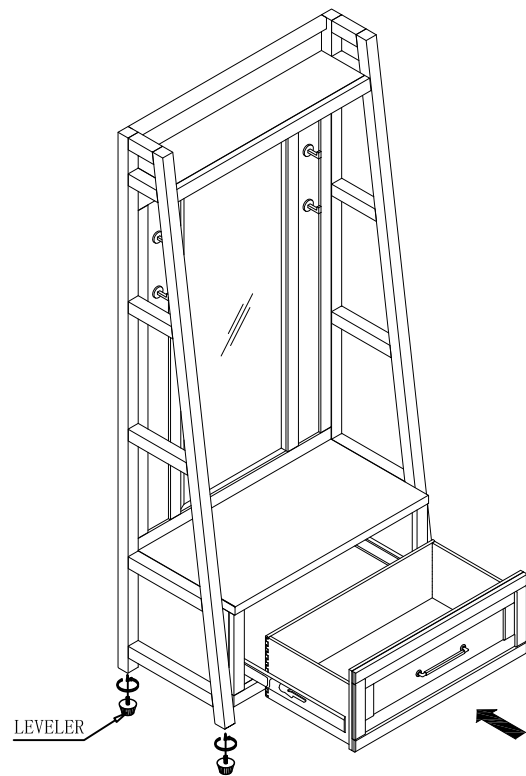
STEP 6 THE SAME STEP 2, 3, 4, 5.



STEP 7



STEP 8



CLEANING INSTRUCTION