



Liberty Furniture
INDUSTRIES, INC

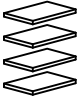



LIBERTY FURNITURE






ASSEMBLY INSTRUCTION

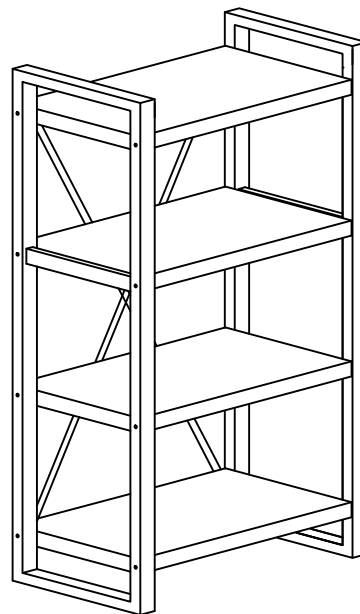
ITEM # : 439 - EP60

DESCRIPTION : PIER UNIT WITH FAUX METAL

Thank you for purchasing this quality product. Be sure to check all packing material carefully for small parts which may have come loose inside the carton during shipment. Identify and count all parts and compare with the parts list below:

Component List			
NO.	Descriptions		Qty.
1	Top, Center & Bottom Panel		4
2	Side Frame Left		1
3	Side Frame Right		1
4	Tipping Restraint		1

5				
Assembly Hardware Pack				
NO.	Descriptions			Qty.
A	JCBC Bolt	M6 x 60mm		16
B	Allen Wrench	M4		1
C	P/H Rattan Screw	8 X 5/8		8
D	Metal Plate			2
E	Adjustable Leveler			4



5' TALL PIER UNIT

ASSEMBLY TIPS:

1. Remove hardware from box and sort by size.
2. Please check to see that all hardware and parts are present prior start of assembly.
3. Please follow attached instructions in the same sequence as numbered to assure fast and easy assembly.

WARNING!

1. Don't attempt to repair or modify parts that are broken or defective. Please contact the store immediately.
2. This product is for home use only and not intended for commercial establishments.



Liberty Furniture
INDUSTRIES, INC

LIBERTY FURNITURE

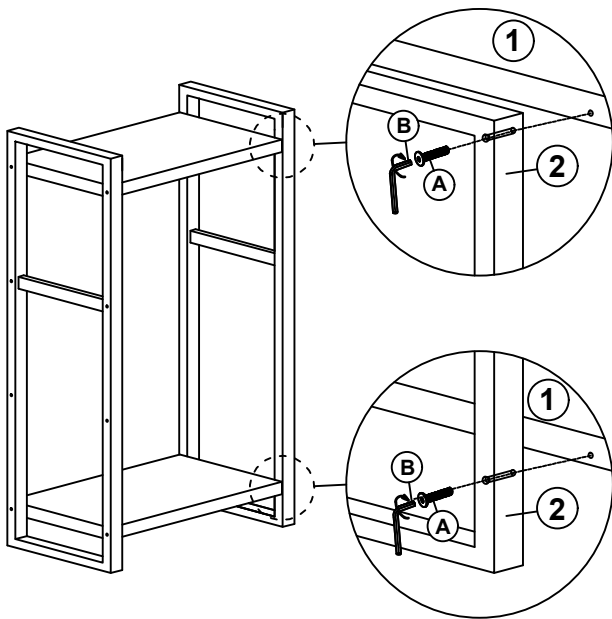
ASSEMBLY INSTRUCTION

ITEM # : 439 - EP60

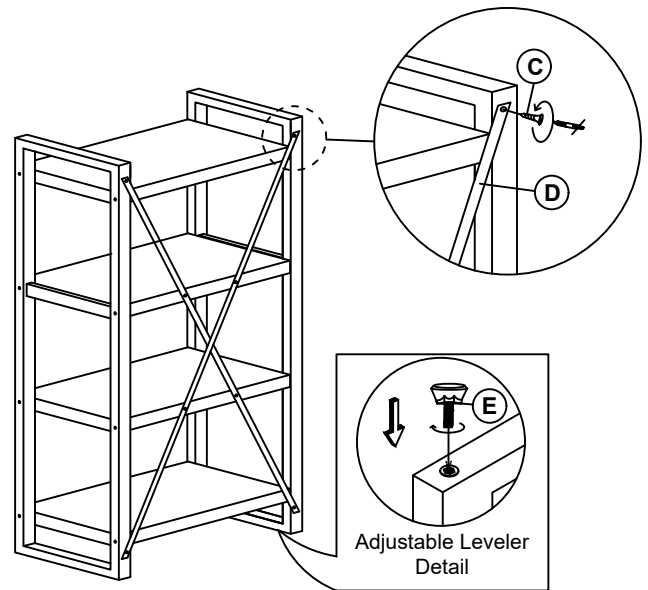
DESCRIPTION : PIER UNIT WITH FAUX METAL

Thank you for purchasing this quality product. Be sure to check all packing material carefully for small parts which may have come loose inside the carton during shipment. Identify and count all parts and compare with the parts list below:

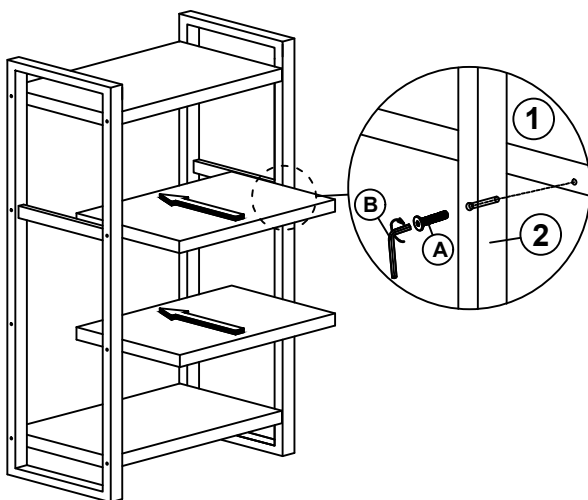
STEP 1 : DO NOT OVER TIGHTEN THE JCBC BOLT BEFORE FIX THE CENTER SHELF.



STEP 3 :



STEP 2 : TIGHTEN ALL THE JCBC BOLT AFTER CENTER SHELF BEEN FIXED.



STEP 4 :

