



The Next Necessity™

Instant Hot Water Dispensers



HC-Wave-SS

Graceful, clean, transitional design dispenses instant near-boiling water and cool drinking water



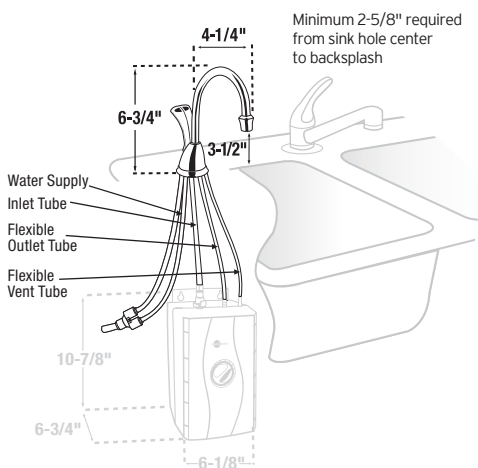
Submittal Sheet

- **Hot & Cool** - Dispenses near-boiling and cool drinking water (Maximum 210°F in tank)
- Durable all metal construction
- Includes 2/3-gallon hot water tank
- Easy to adjust temperature control
- Tool-free tank connections and dry start protection to ease installation
- Fits countertops up to 3" thick
- *We Come To You*® 3-Year In-Home Limited Warranty*
- 115 volts, 750 watts, 6.5 amps
- **Available in these designer finishes:** Chrome and Satin Nickel
- Unit not for commercial/industrial use

Specifications

Capacity	2/3-gallon hot water tank
Electrical	115 volts A.C., 750 watts, 6.5 amp heating element with grounded three (3) prong plug
Thermostat	Snap-action, adjustable from 160°F to 210°F (factory pre-set at 200°F. Actual temperature may vary slightly.)
Insulation	Meets U.L. 94HF-1 flammability specification
Hot Valve	Instant, self-closing
Cold Valve	Instant, self-closing
Recommended Supply Pressure	30-80 psi
Shipping Weight	Approximately 8.5 lbs.
Required Hole Diameter	1-3/8" standard sink hole

Dimensions



Sample Specification

Instant hot water dispenser(s) shall be InSinkErator Model HC-Wave-SS with 2/3-gallon hot water tank, adjustable temperature from 160°F to 210°F and instant, self-closing hot valve. (Actual temperature may vary slightly.)

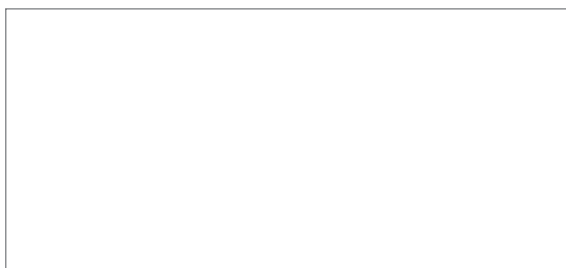
We Come To You® 3-Year In-Home Limited Warranty*

* The complete InSinkErator warranty is included in the Care & Use booklet packed with each unit.

US Patent Pending (tank enclosure)

Water Filtration System Available

Job Specifications



USA
1-800-558-5700
www.insinkerator.com

Canada
1-800-558-5700
www.insinkerator.ca

InSinkErator may make improvements and/or changes in the specifications at any time, in its sole discretion, without notice or obligation and further reserves the right to change or discontinue models.