



# Liberty Furniture

INDUSTRIES, INC

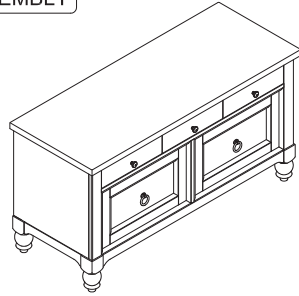
## ASSEMBLY INSTRUCTION

ITEM#: **615-HO121**

DESCRIPTION: **CREDENZA**

Thank you for purchasing this quality product. Be sure to check all packing material carefully for small parts which may have come loose inside the carton during shipment. Identify and count all parts and compare with the parts List Below:

FINISHED ASSEMBLY

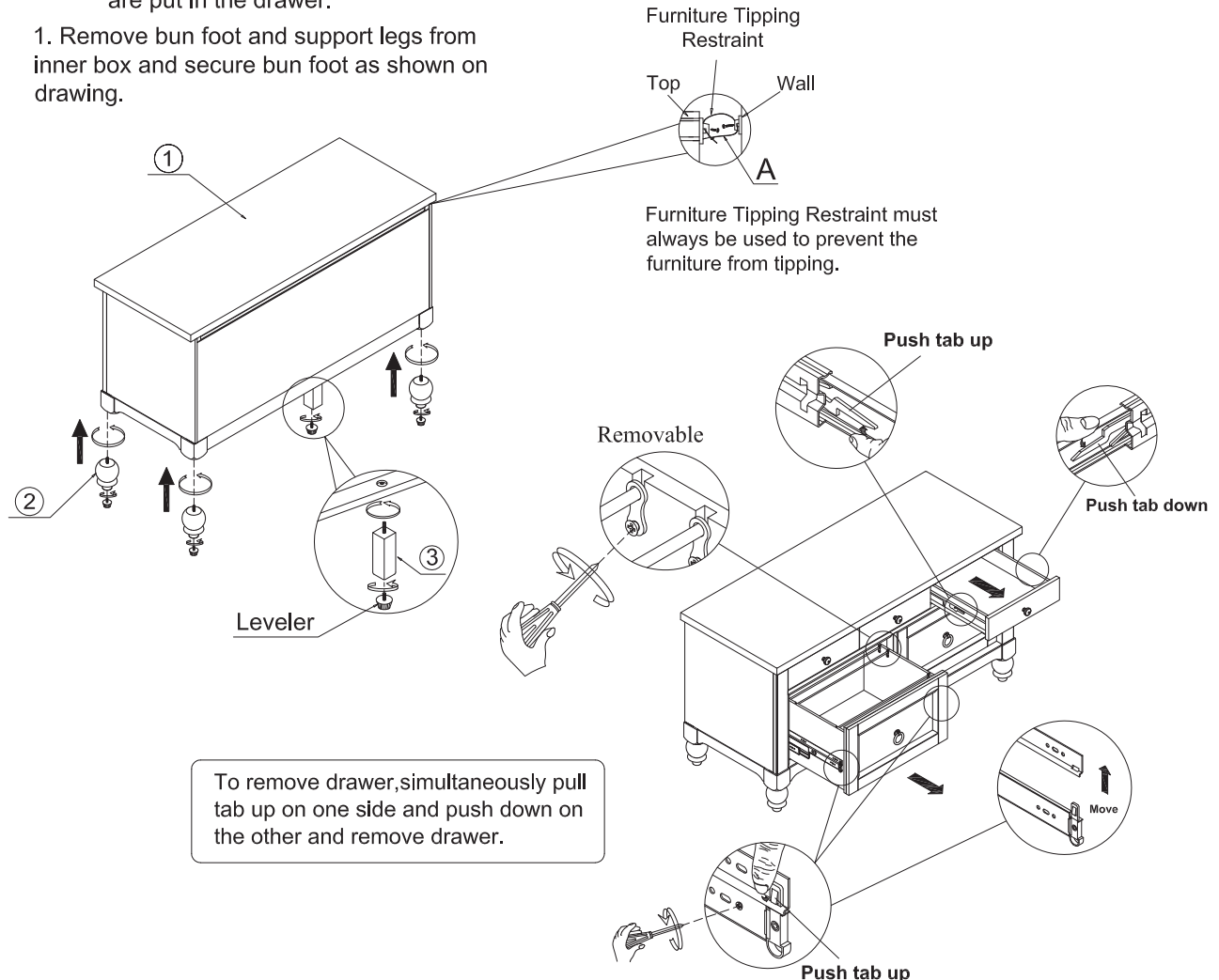


PART LIST:

①		②		③	
CREDENZA:1PC		BUN FOOT: 4PCS		SUPPORT LEGS: 1PC	
④					
HARDWARE LIST					
NO.	Drawing	Description	Q'ty		
A		Furniture Tipping Restraint	1 Set		

Note: The bun foot and support legs are put in the drawer.

1. Remove bun foot and support legs from inner box and secure bun foot as shown on drawing.



To remove drawer, simultaneously pull tab up on one side and push down on the other and remove drawer.

### CLEANING INSTRUCTION



# Liberty Furniture INDUSTRIES, INC

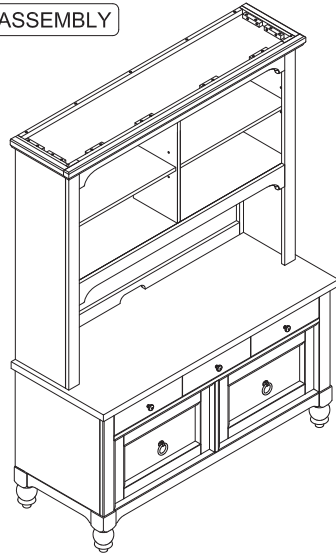
## ASSEMBLY INSTRUCTION

ITEM#: **615-HO121/HO131**

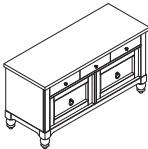
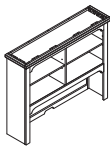
DESCRIPTION: **CREDENZA**  
**CREDENZA HUTCH**

Thank you for purchasing this quality product. Be sure to check all packing material carefully for small parts which may have come loose inside the carton during shipment. Identify and count all parts and compare with the parts List Below:


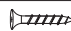
FINISHED ASSEMBLY

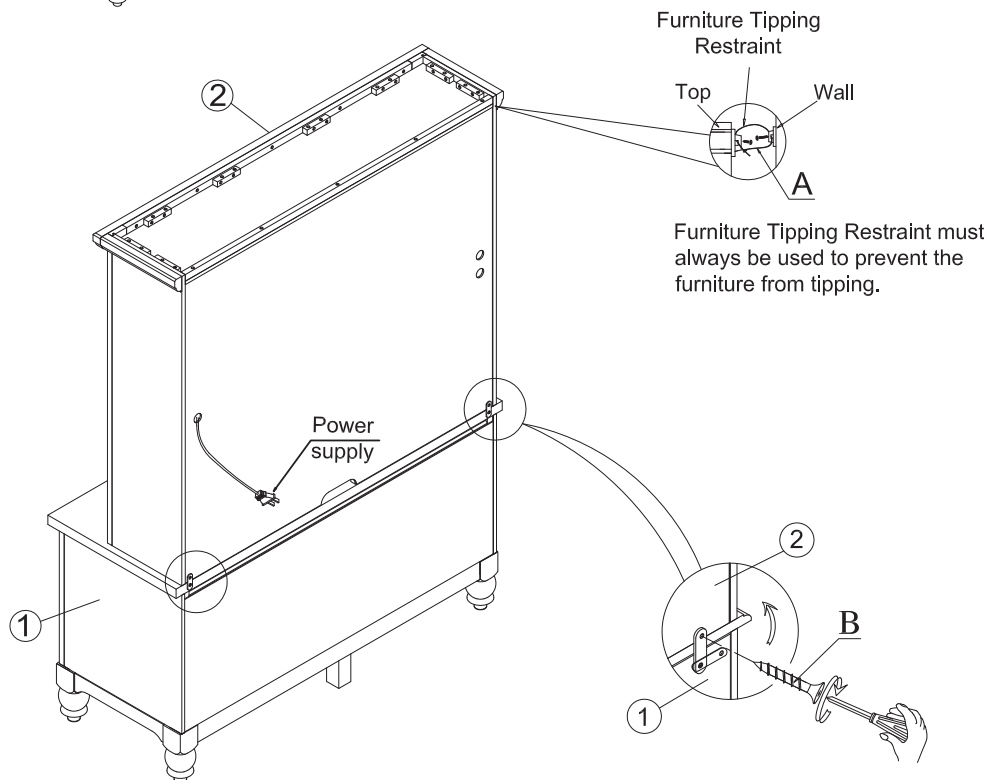


PART LIST:

①		②	
CREDENZA:1PC		CREDENZA HUTCH:1PC	

HARDWARE LIST

NO.	Drawing	Description	Q'ty
A		Furniture Tipping Restraint	1 Set
B		Screw (Ø8x3/4")	2 pcs



### CLEANING INSTRUCTION