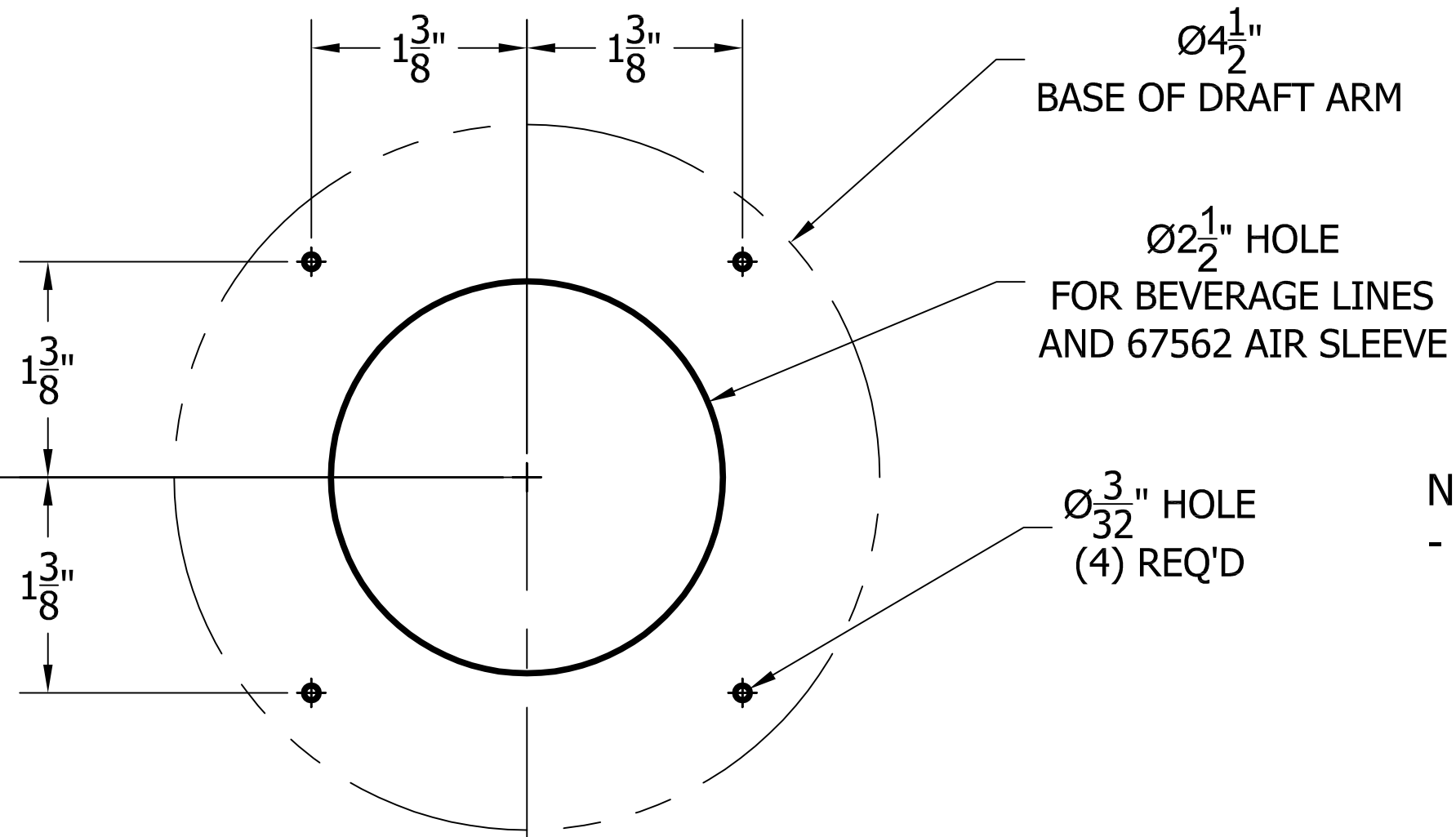
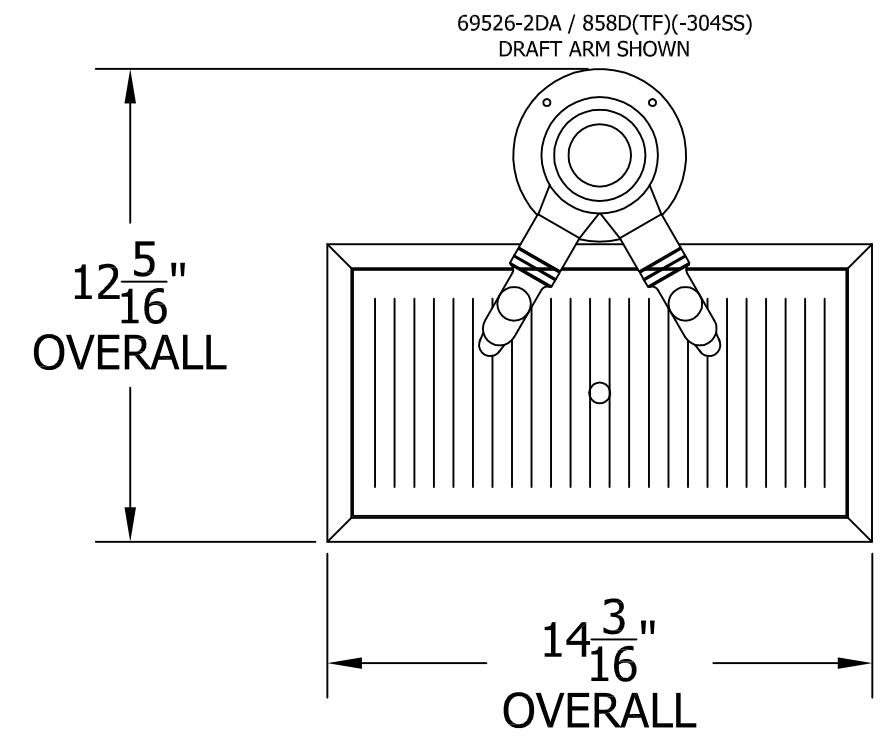
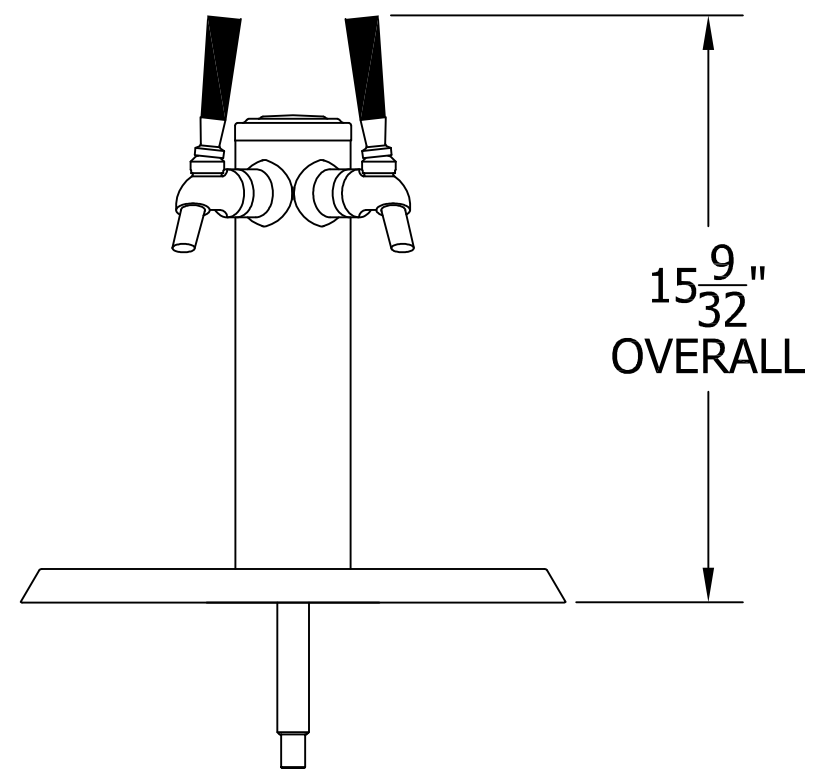
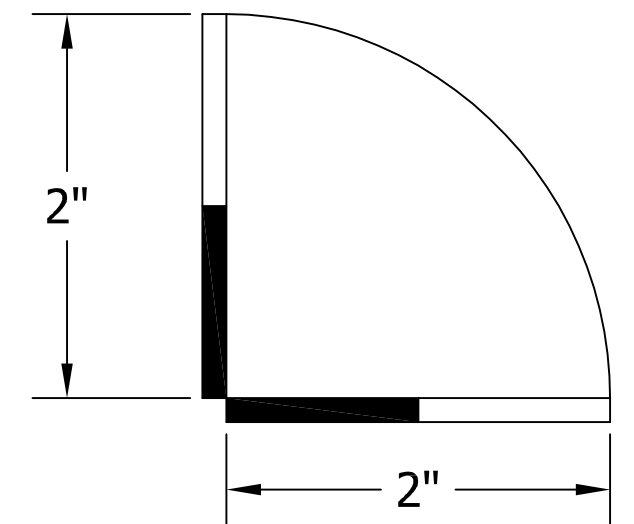
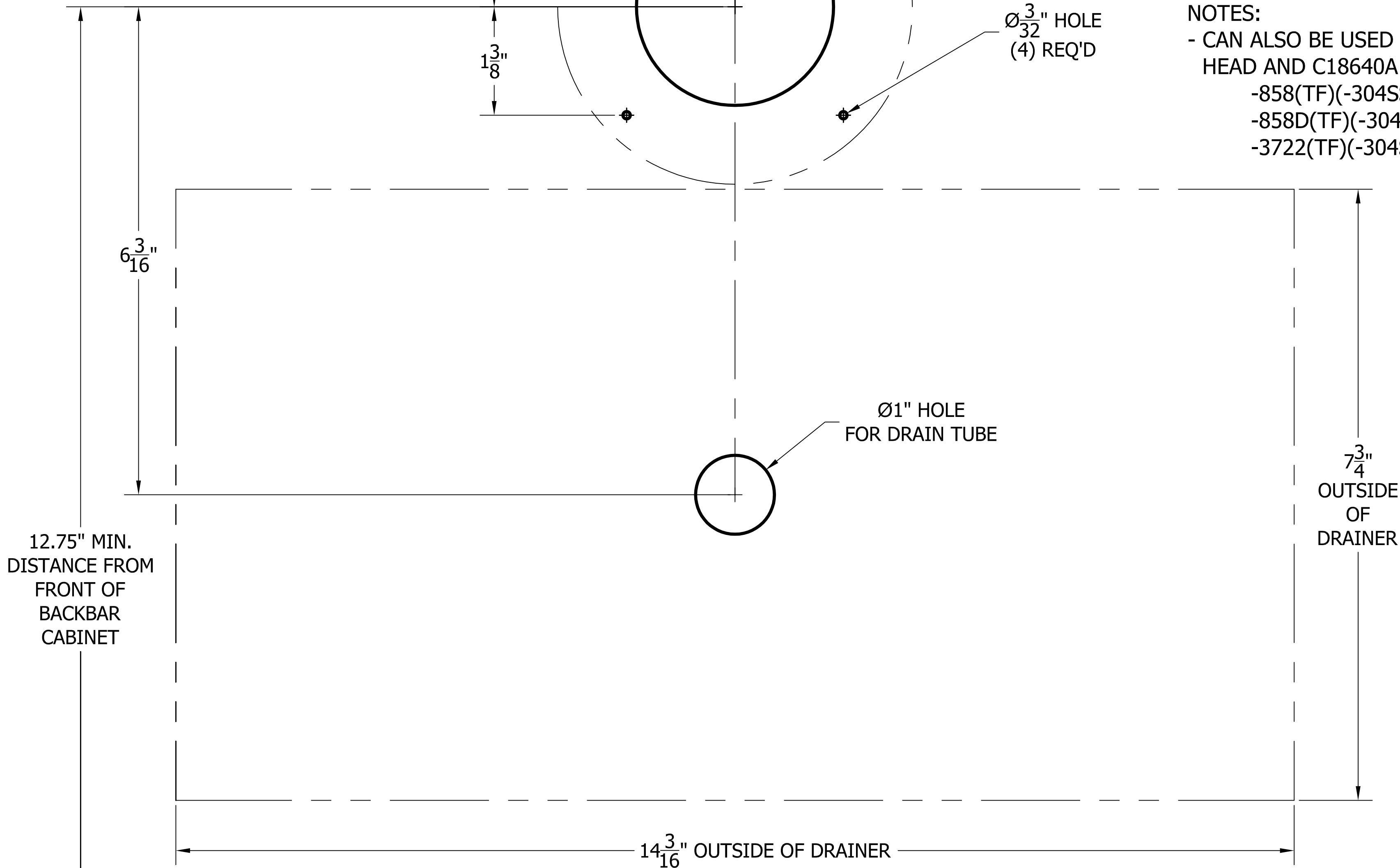


**MOUNTING TEMPLATE FOR DISPENSING KITS**  
**69526(W)-1DA(TF)(-304SS), -2DA(TF)(-304SS), -3DA(TF)(-304SS)**  
**& C18640A DRAINER.**



**NOTES:**  
 - CAN ALSO BE USED WITH BELOW DISPENSING  
 HEAD AND C18640A DRAINER COMBINATION:  
 -858(TF)(-304SS)  
 -858D(TF)(-304SS)  
 -3722(TF)(-304SS)



**ATTENTION INSTALLERS**  
 VERIFY SCALE OF PRINT  
 BY CHECKING THESE DIMENSIONS  
 PRIOR TO INSTALLATION OF BEER HEAD  
 (EACH SIDE SHOULD MEASURE  
 EXACTLY 2.00 INCHES)