

GENESIS

E-335 • S-335 • E-435



ASSEMBLY GUIDE



 **BILT.**
Free download

30504

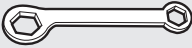
08/16/24
ZA



EN

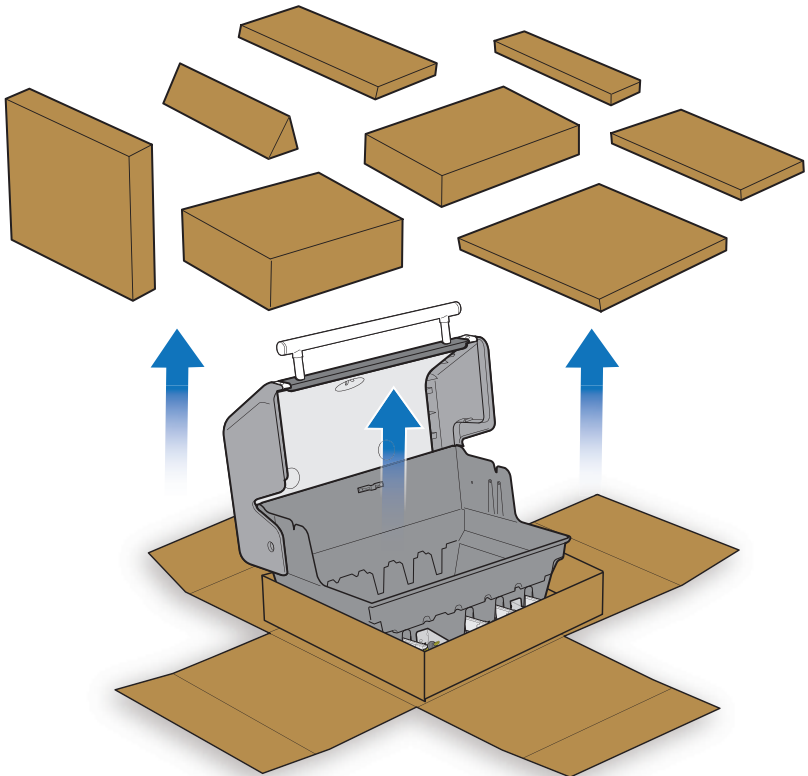
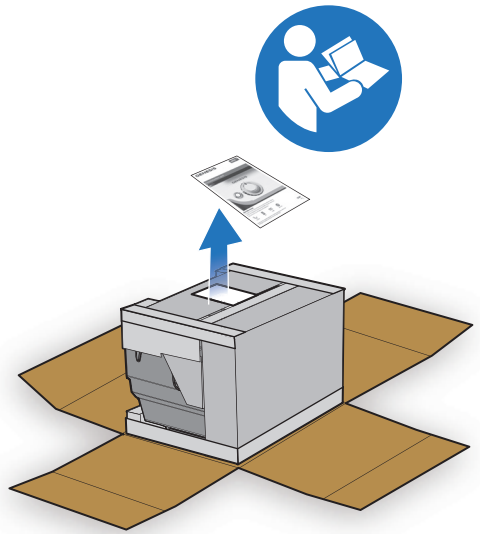
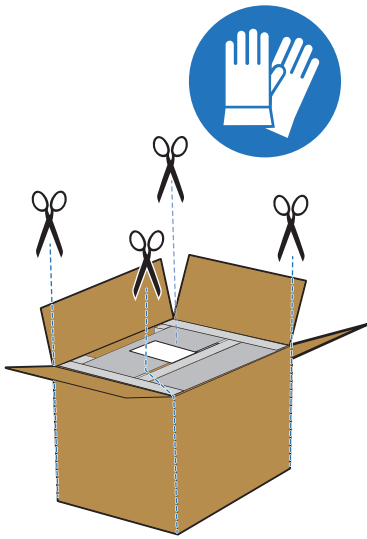
- ⚠ Cut all four corners of carton and fold sides down.
- ⚠ Assemble barbecue on a flat, level, and soft surface.
- ⚠ Remove protective film from stainless steel parts before installing.
- ⚠ Do not use power tools for assembly.
- ⚠ Two people required for assembly.
- ⚠ There may be visual differences between illustrations and model purchased.
- ⚠ Always keep lid closed when assembling or moving your barbecue.

TOOLS INCLUDED:



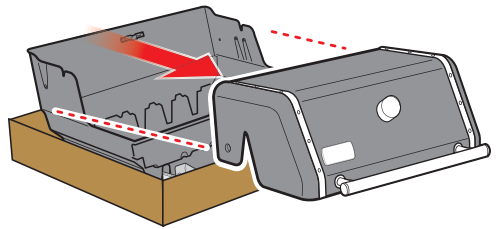
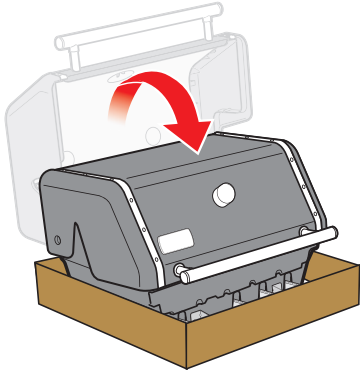
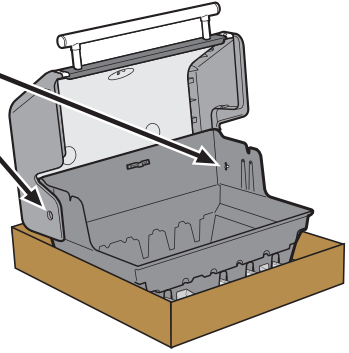
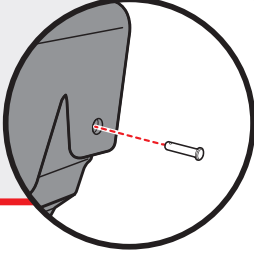
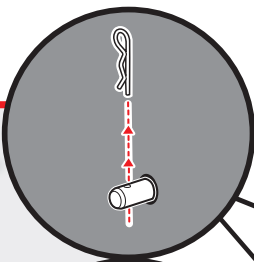
TOOLS REQUIRED:

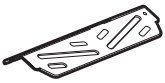






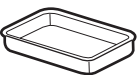

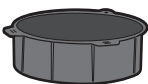
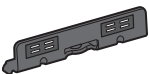
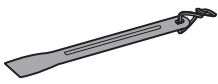


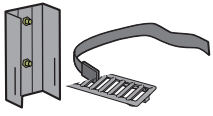
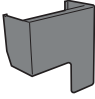





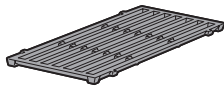
⚠ Save hardware.

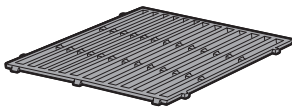


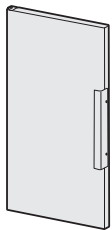
335	435	
3	4	
2	2	
2	2	
1	1	
3	4	
1	1	
1	1	
1	1	
1	1	
1	1	
1	1	
1	1	

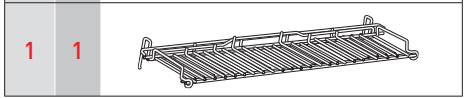
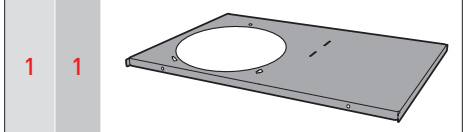
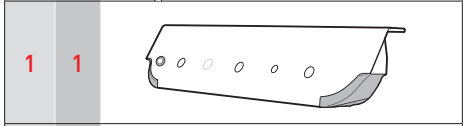
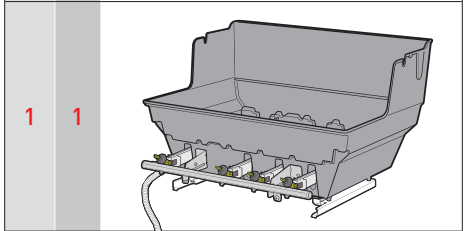
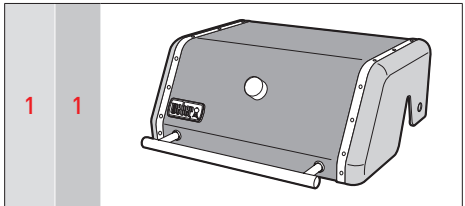
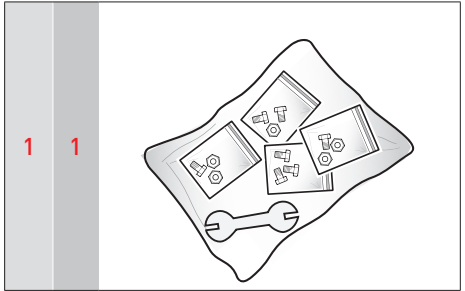
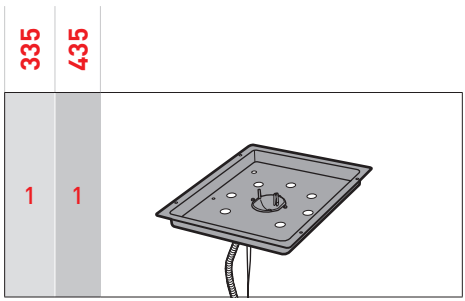
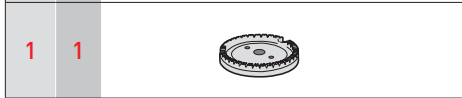
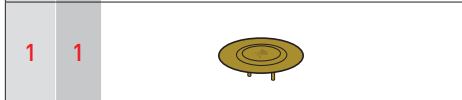
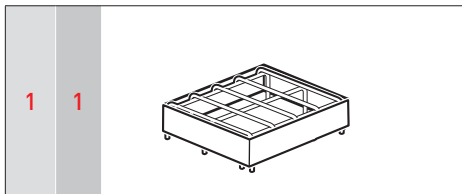
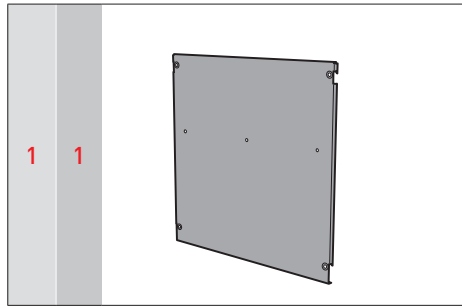
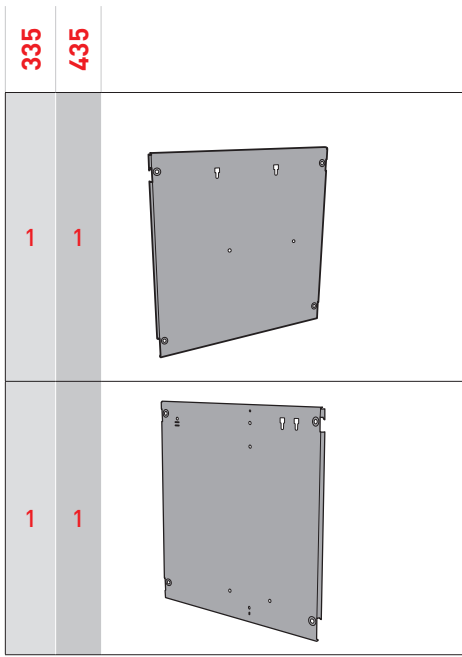
335	435	
1	1	
1	1	
1	1	

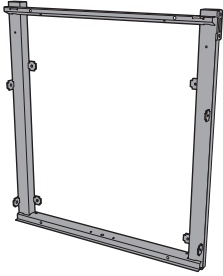
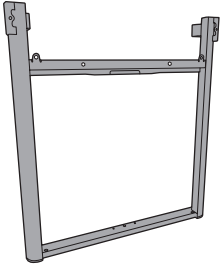

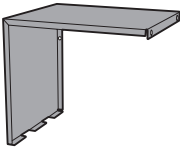
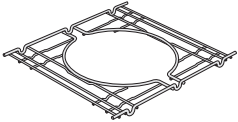
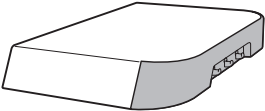
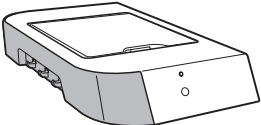
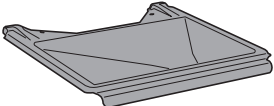
335	435	
5	7	

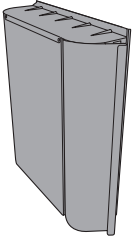
335	435	
1	2	

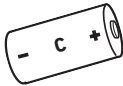
335	435	
1	1	

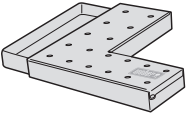
335	435	
2	2	

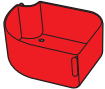


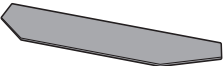
335	435	
1	1	
1	1	
1	1	
1	1	
1	1	
1	1	
1	1	
1	1	

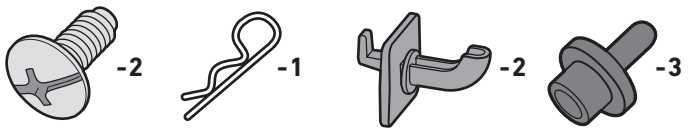
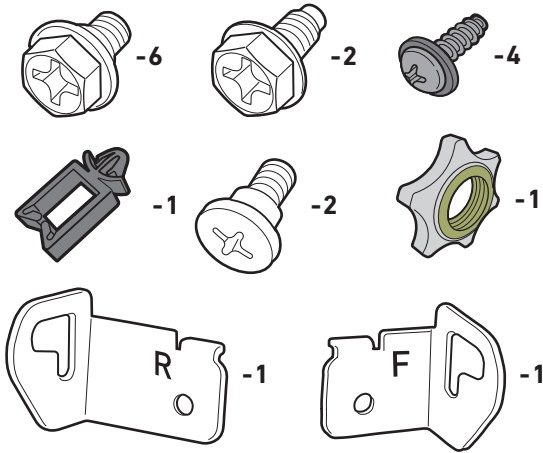
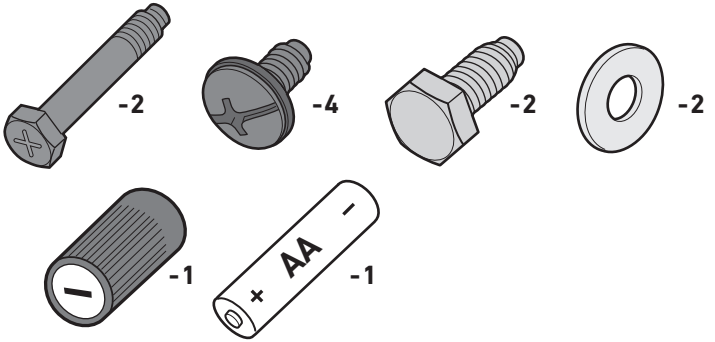
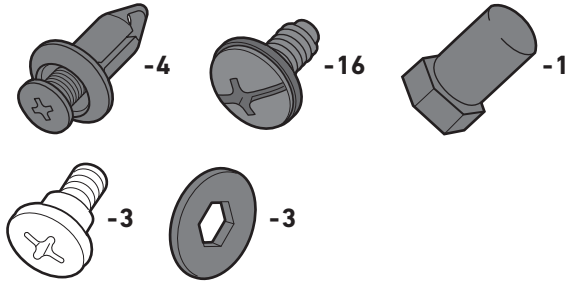
335	435	<i>For select models only.</i>
3	3	

3	3	
---	---	---

1	1	
---	---	---

1	1	
---	---	---

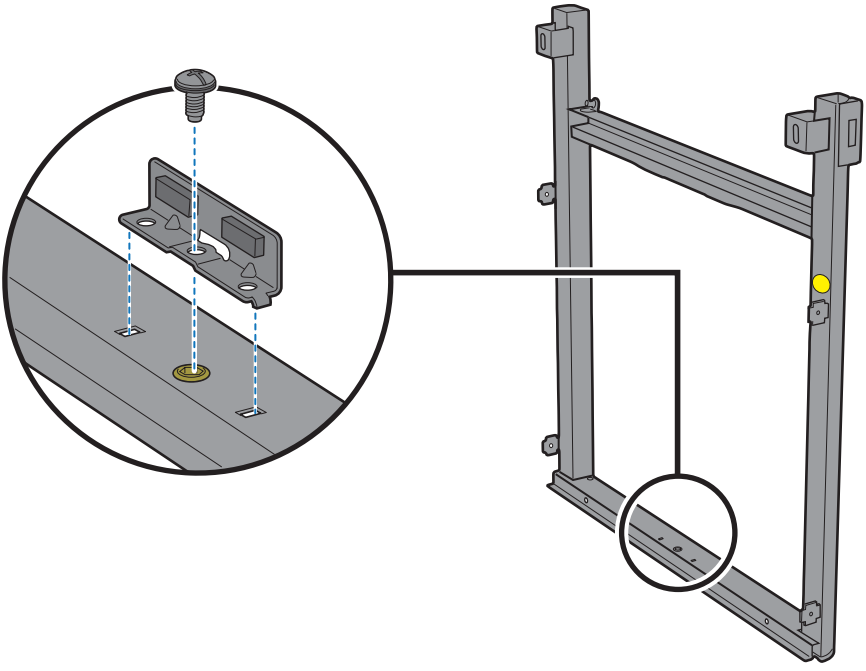
1	1	
---	---	---



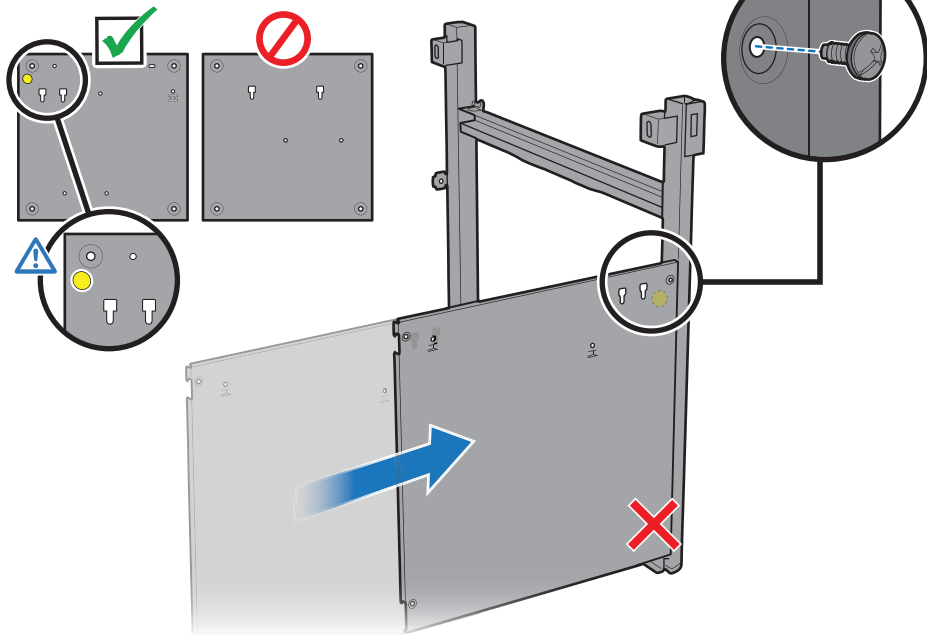
1 BILT.

• Download the free BILT™ app for 3D step-by-step instructions.

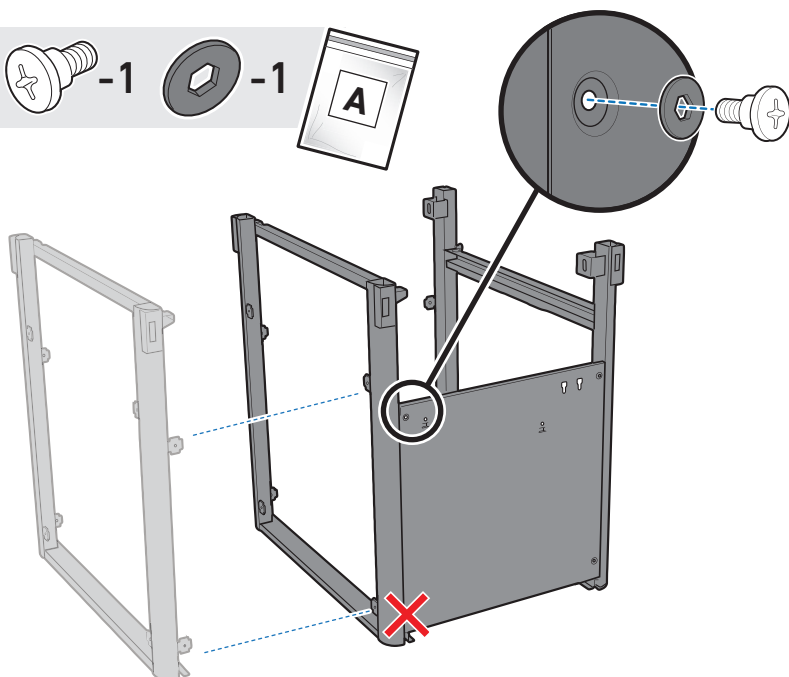
2 -1



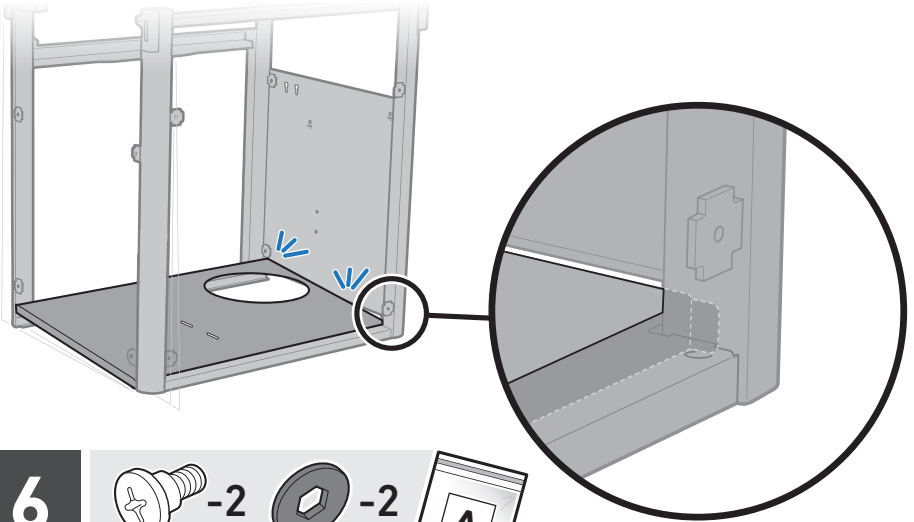
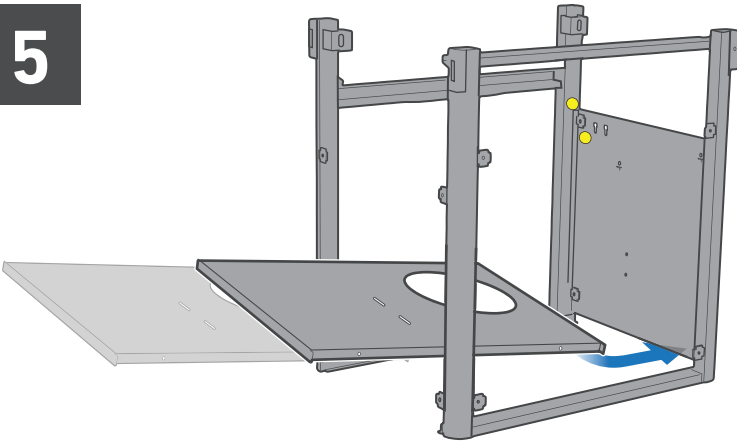
3



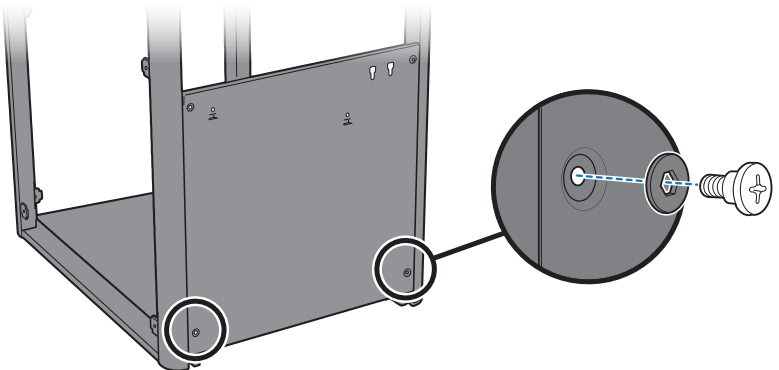
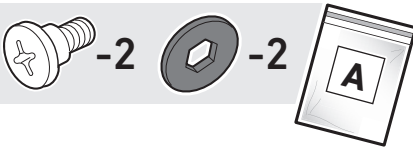
4



5



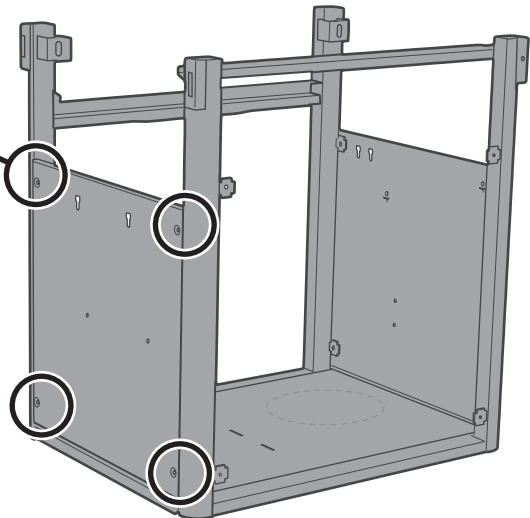
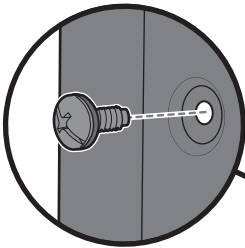
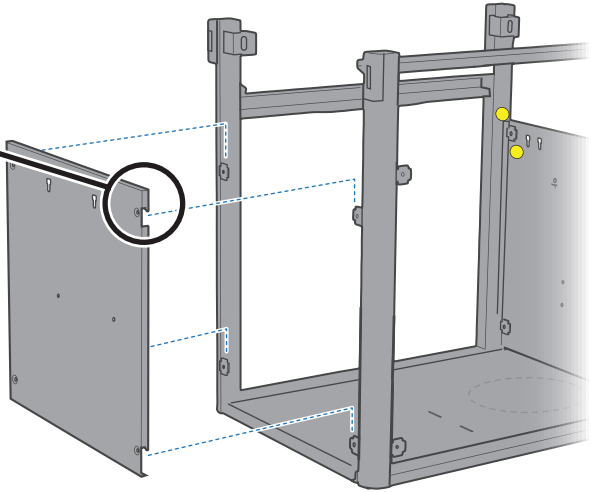
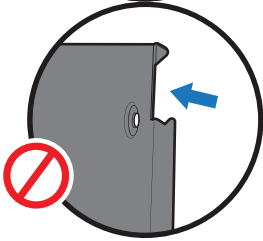
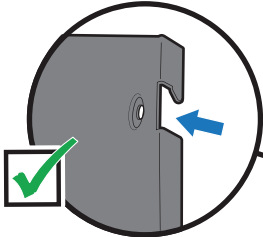
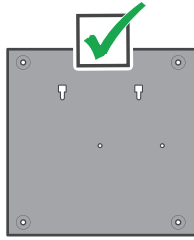
6



7



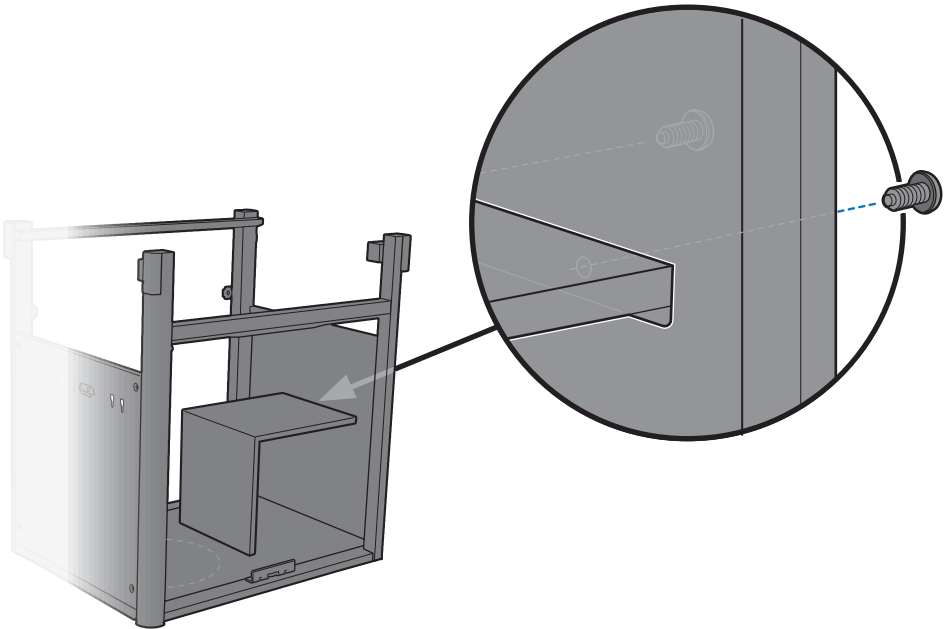
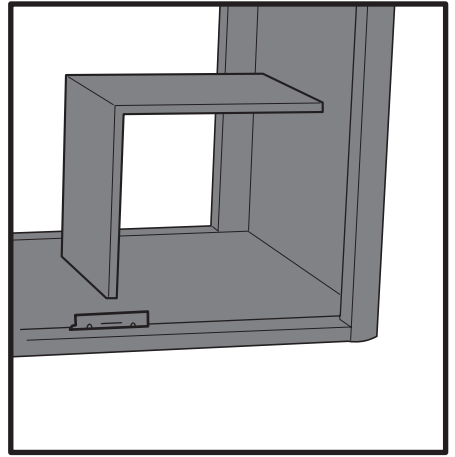
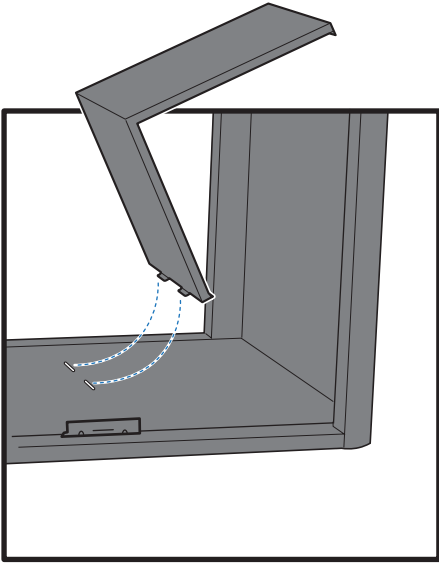
-4



8



-2



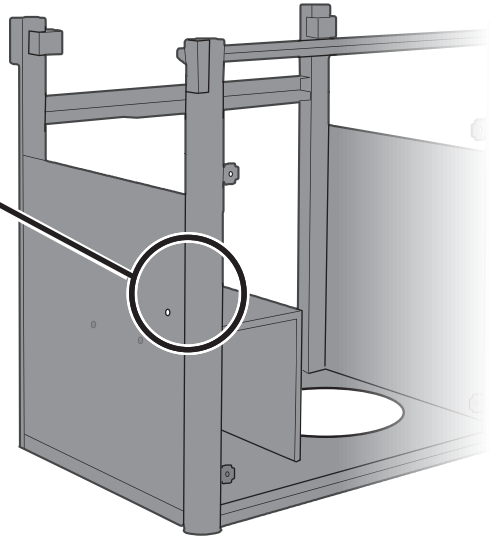
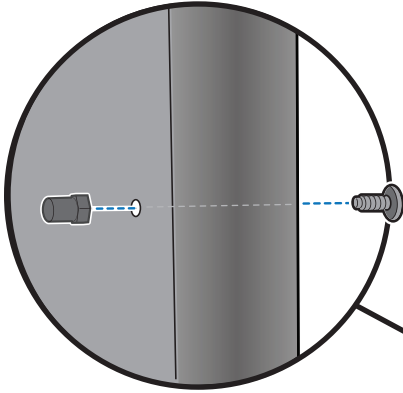
9



-1



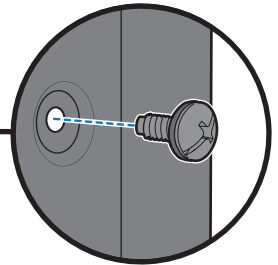
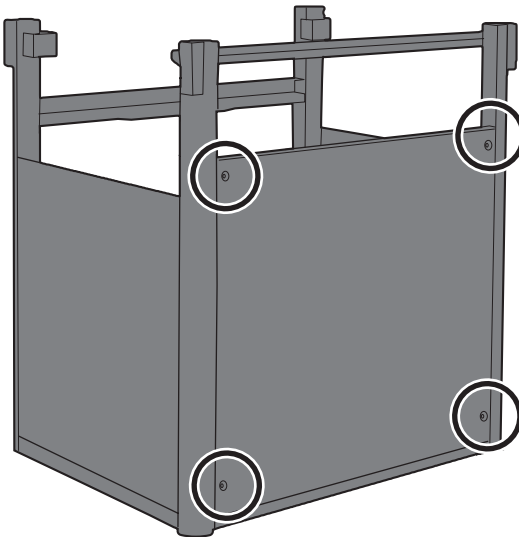
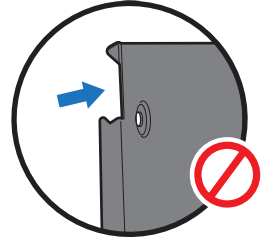
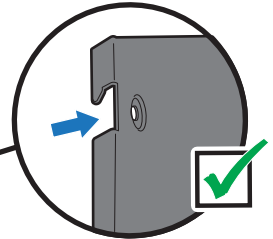
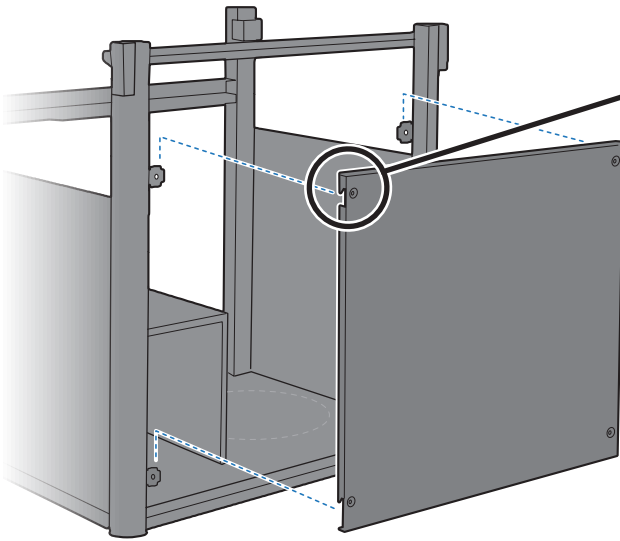
-1



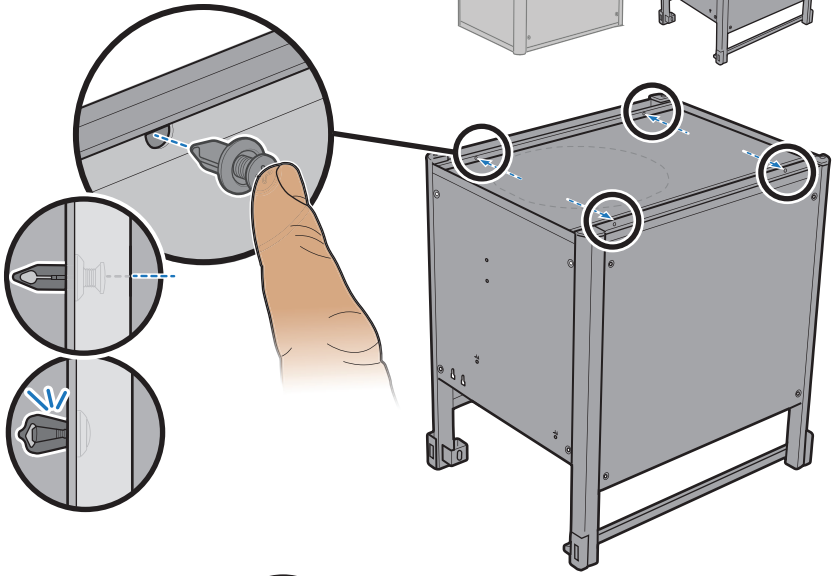
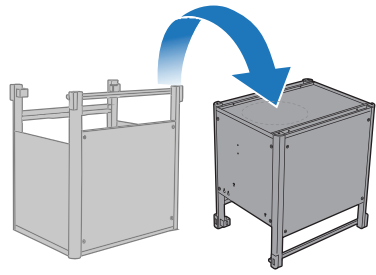
10



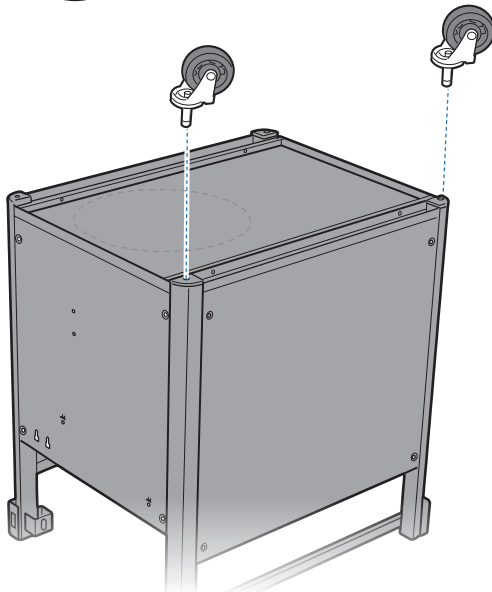
-4



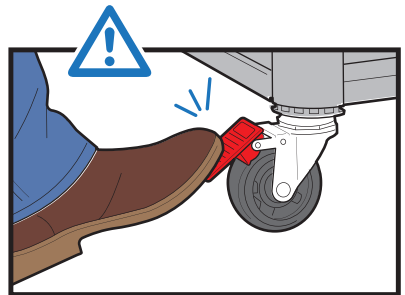
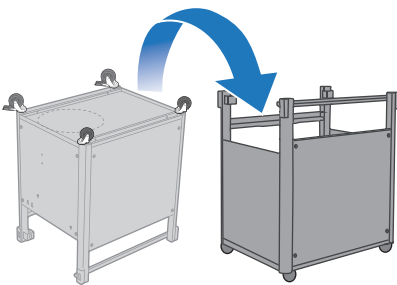
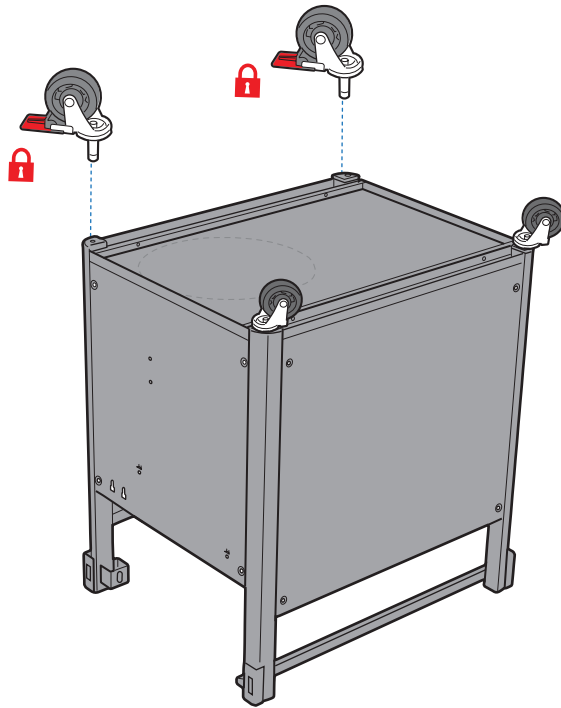
11



12



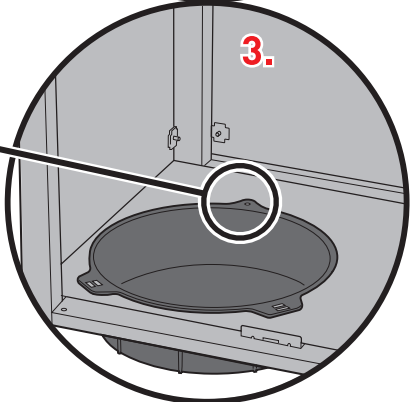
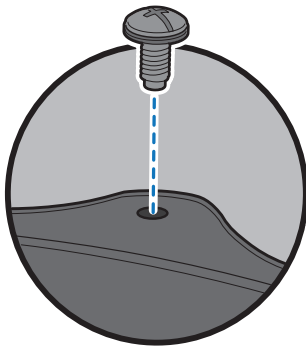
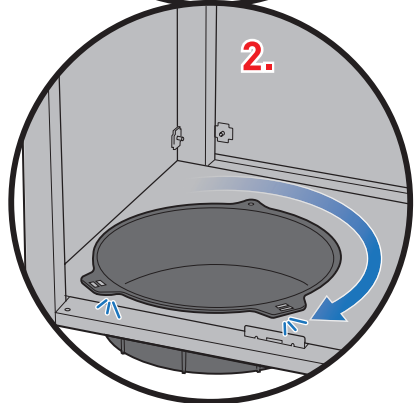
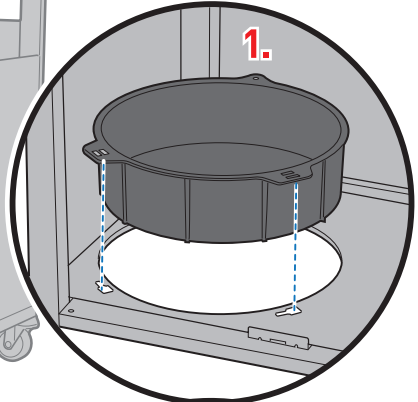
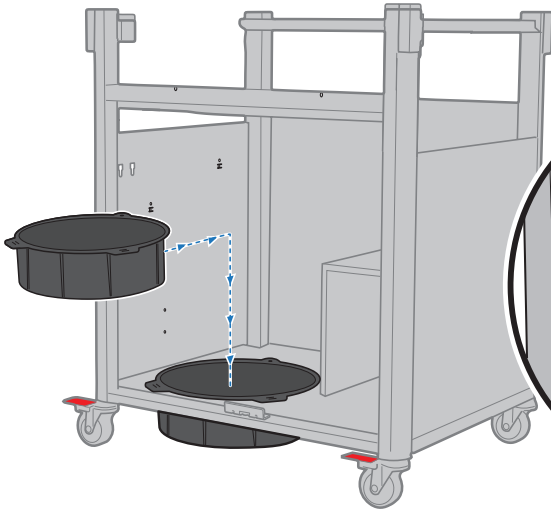
13



14



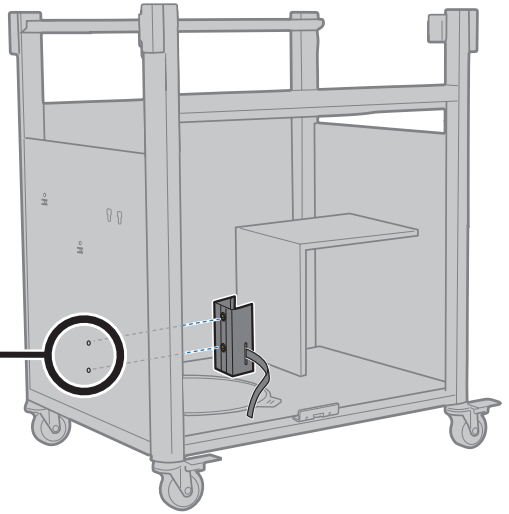
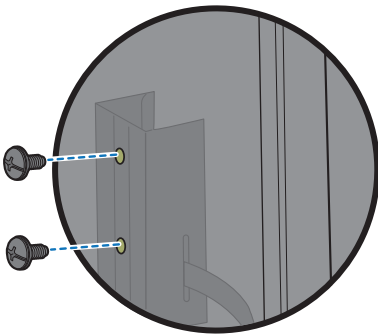
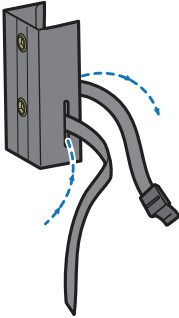
-1



15



-2



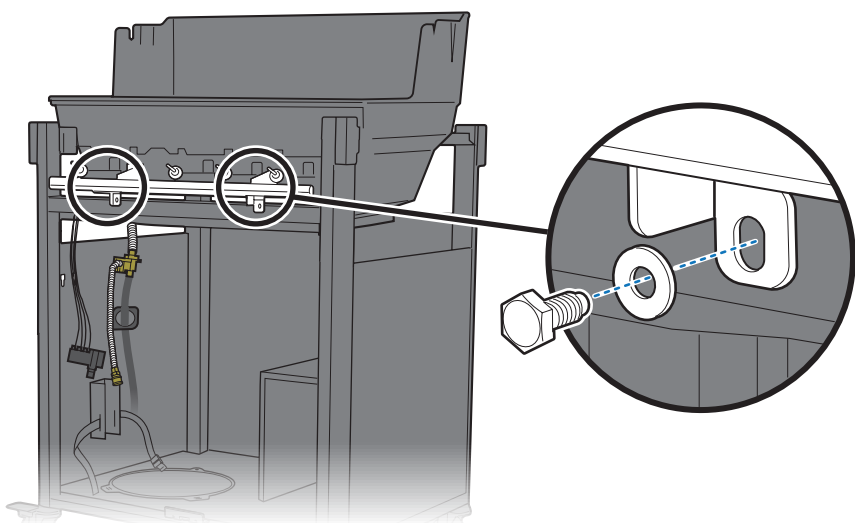
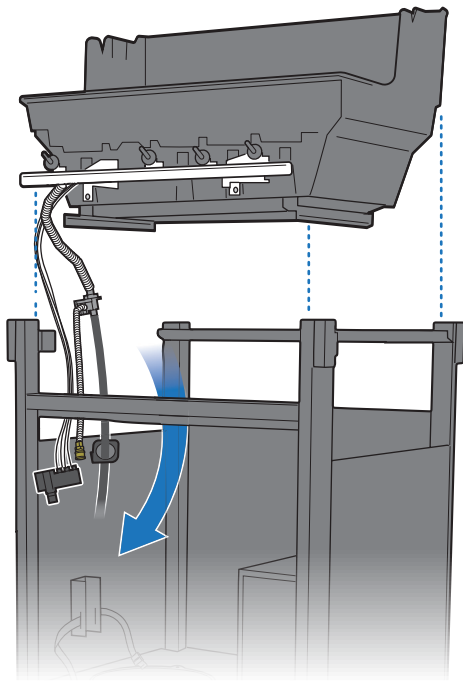
16



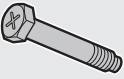
-2



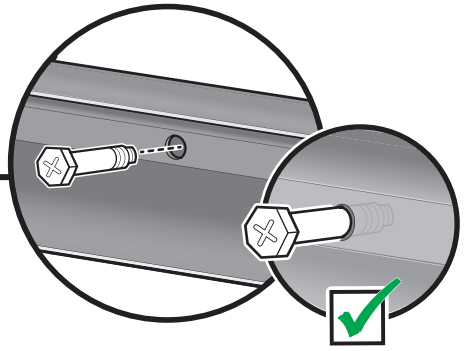
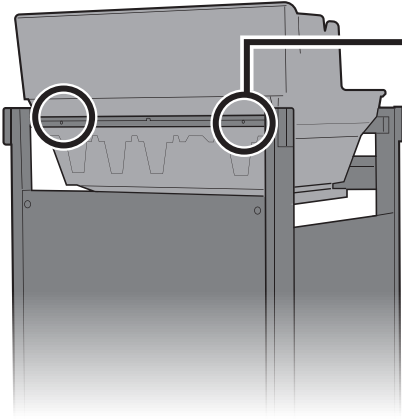
-2



17



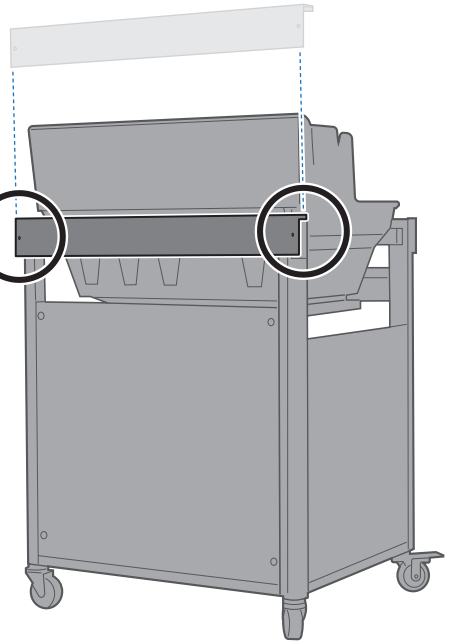
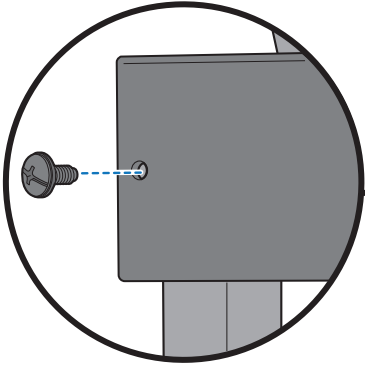
-2



18



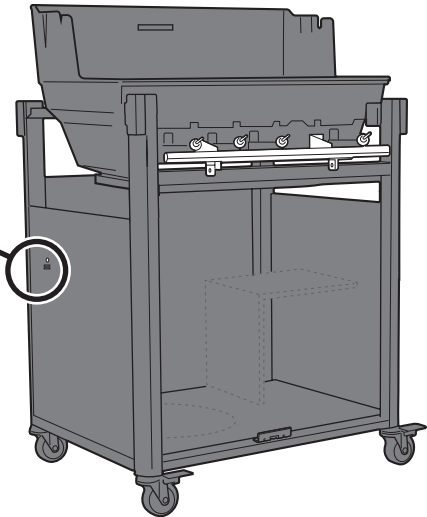
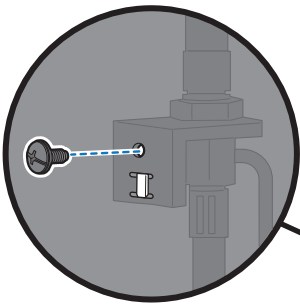
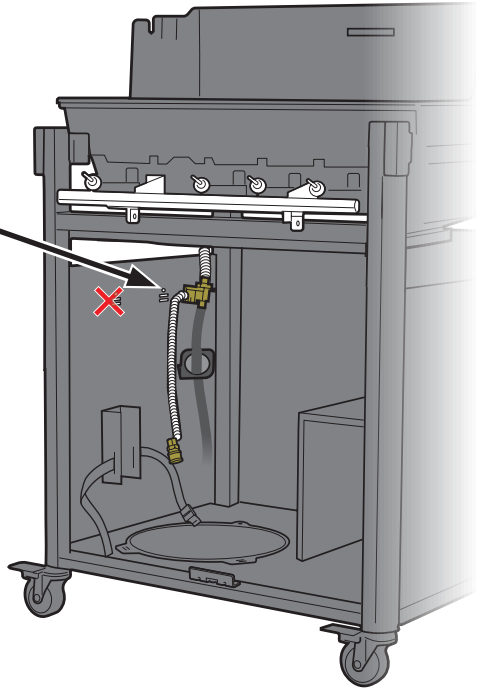
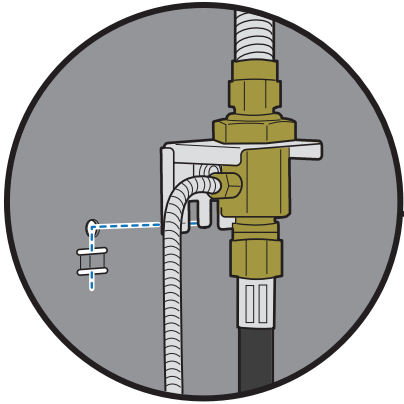
-2



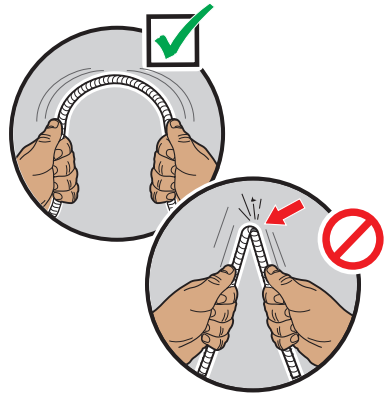
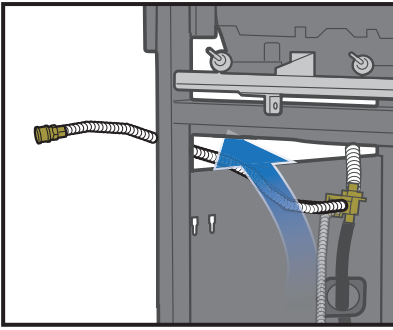
19



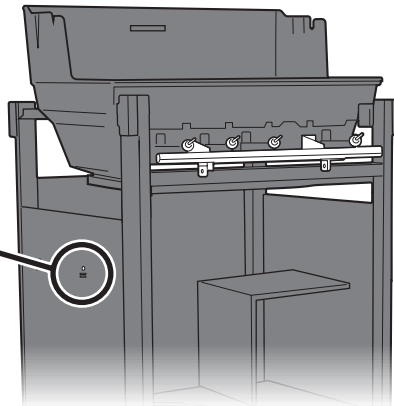
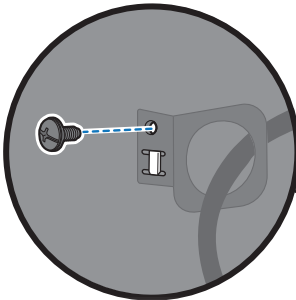
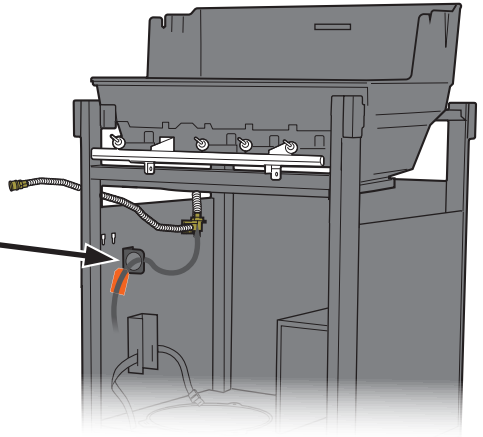
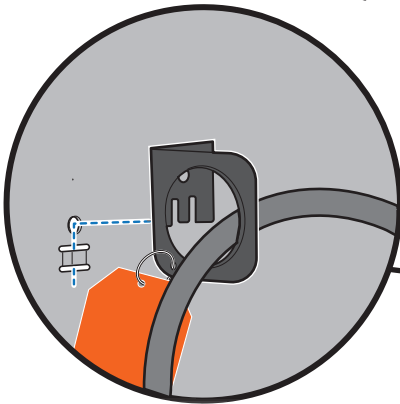
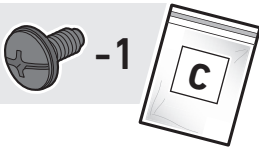
-1



20



21



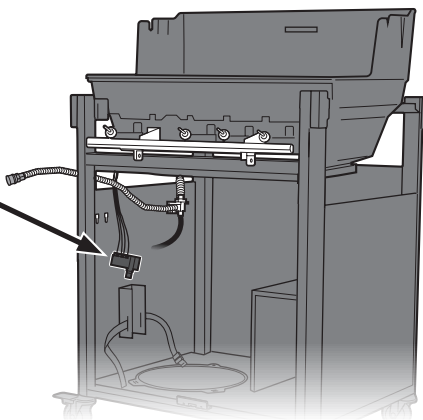
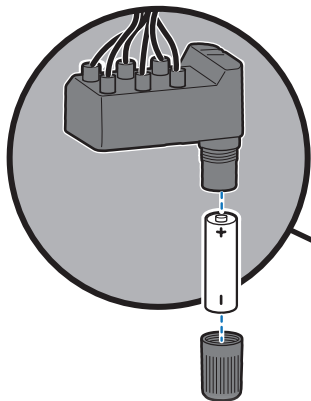
22



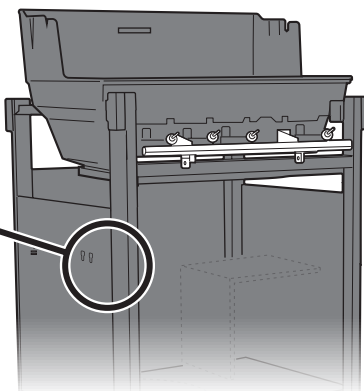
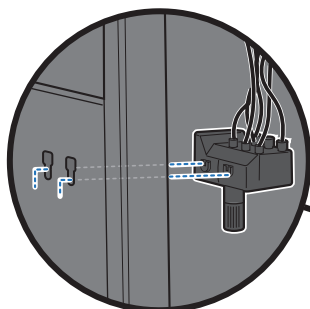
-1



-1



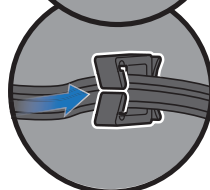
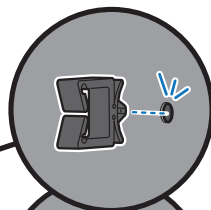
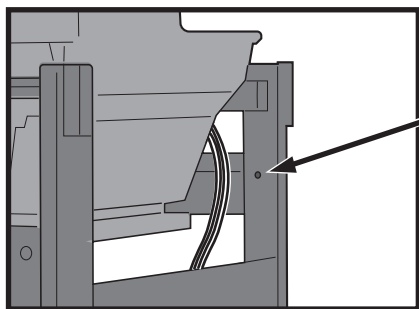
23



24



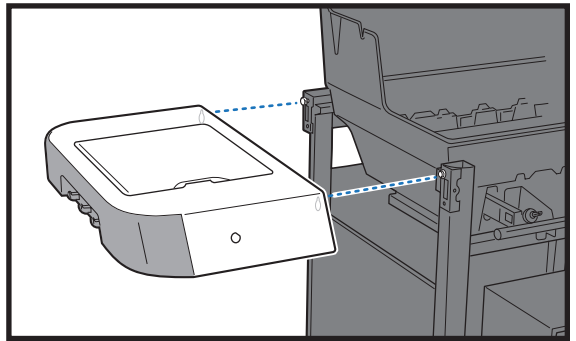
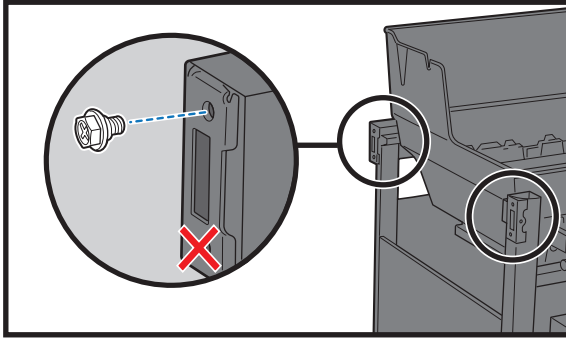
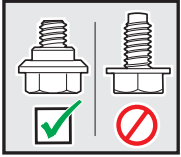
-1



25



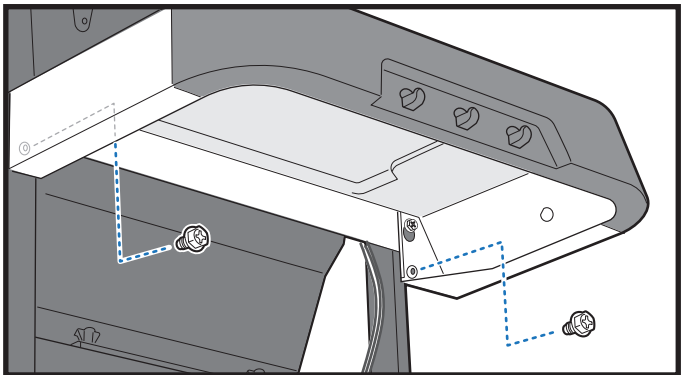
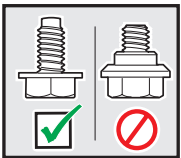
-2



26

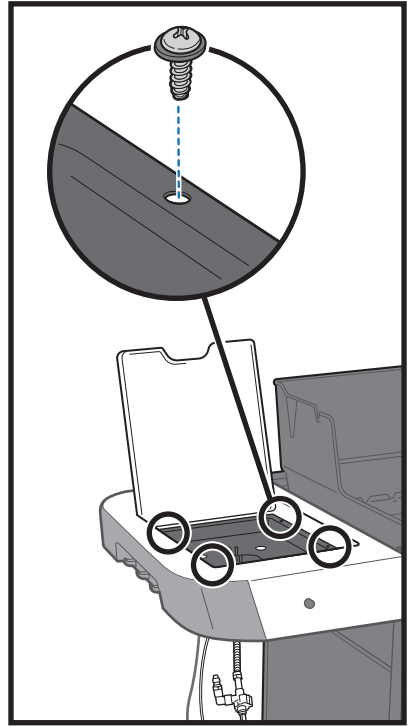
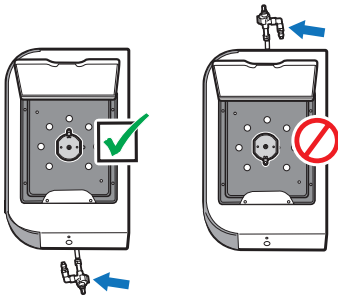
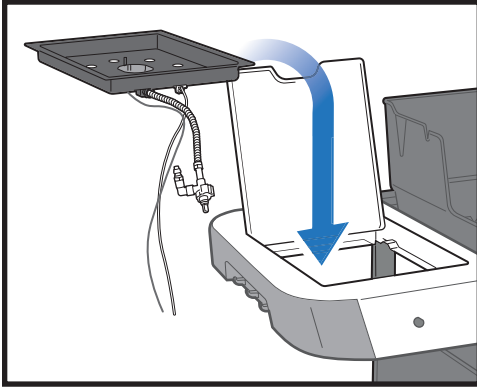
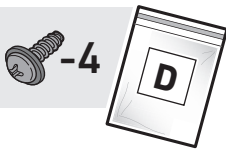


-2

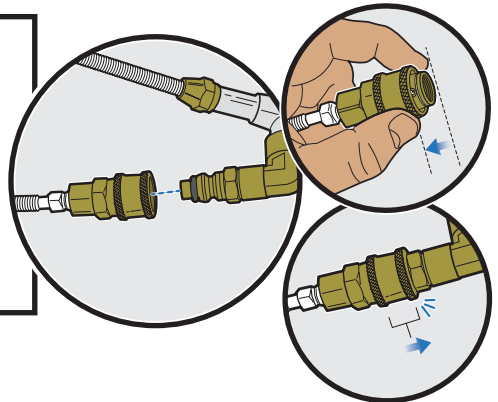
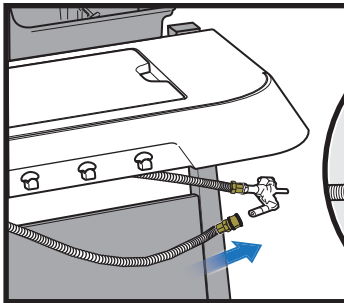


27

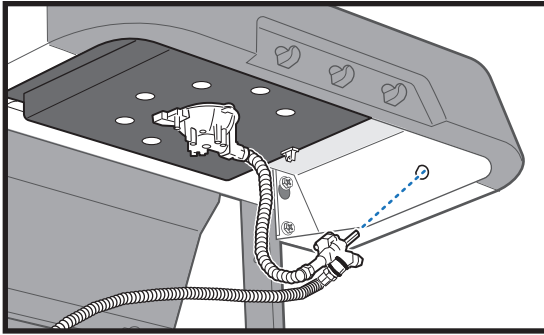
-4



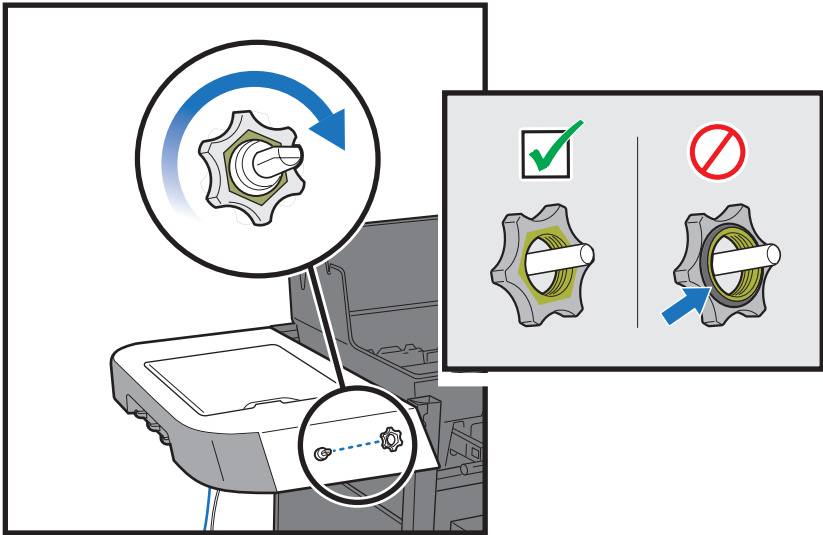
28



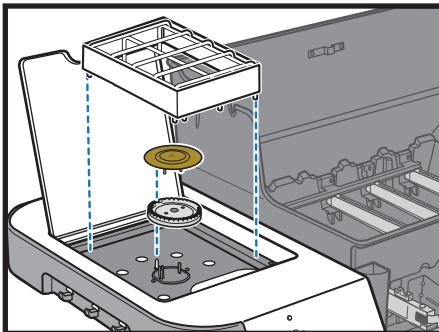
29

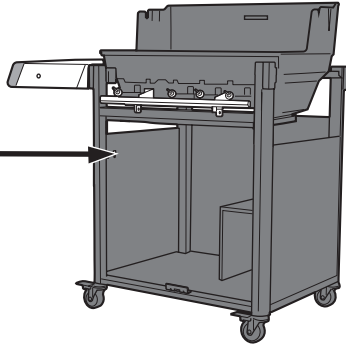
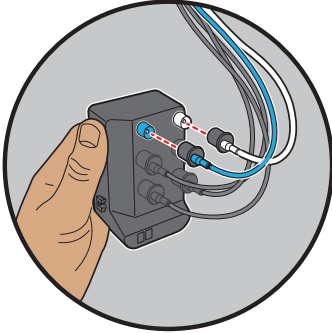
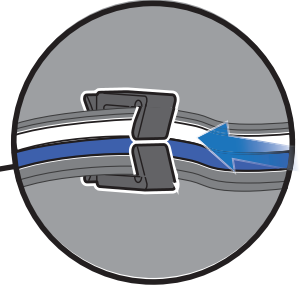
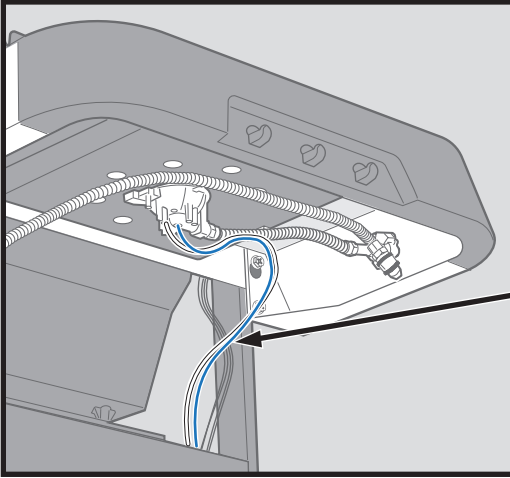


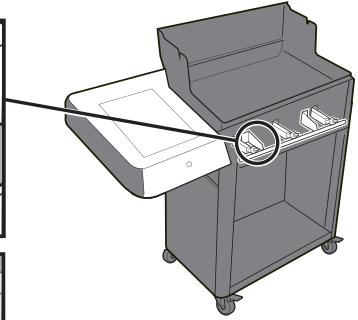
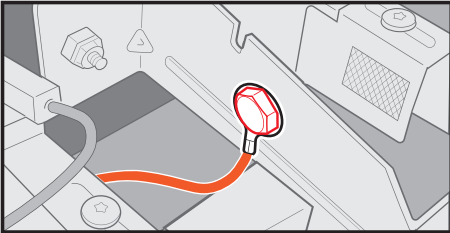
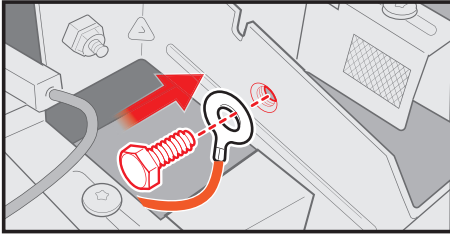
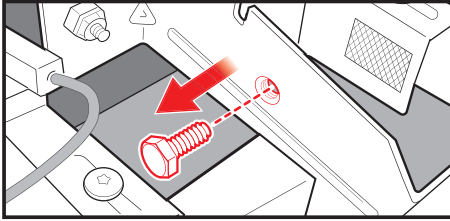
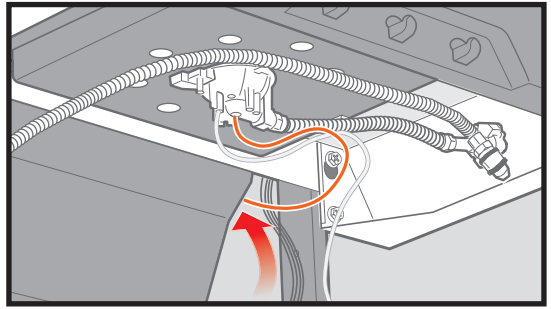
30



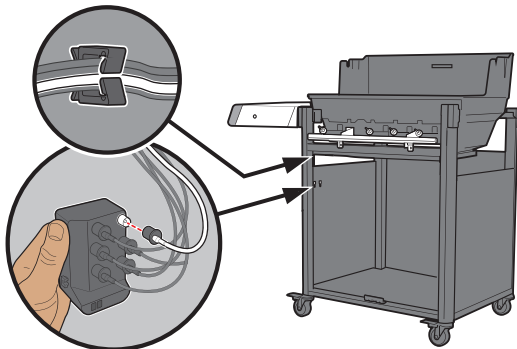
31



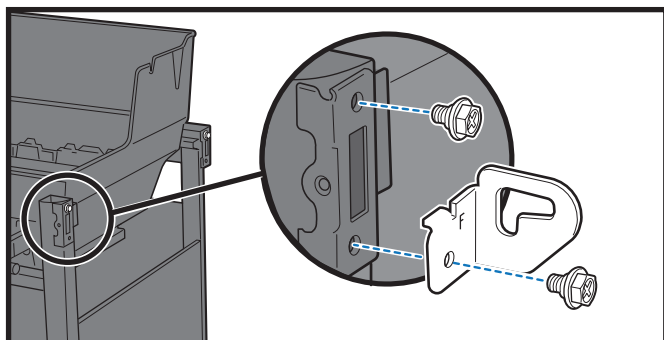
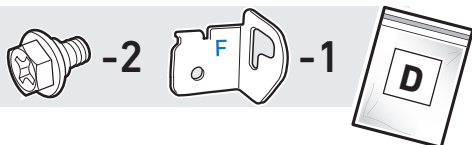




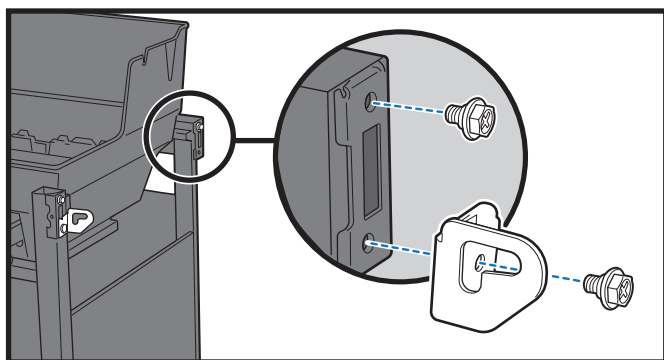
⚠ 435 MODELS ONLY: Ring connector must be securely fastened to manifold with screw.



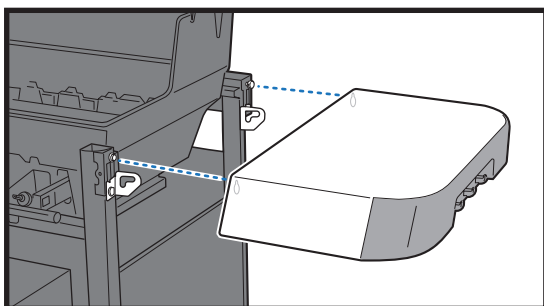
34



35



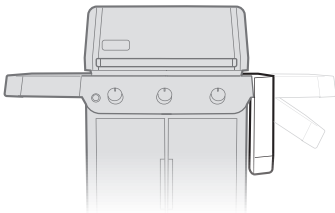
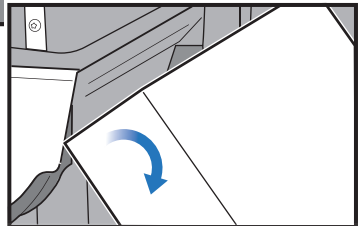
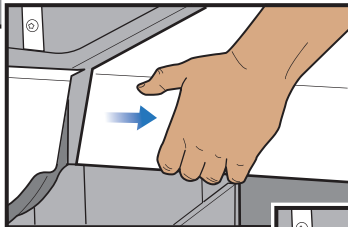
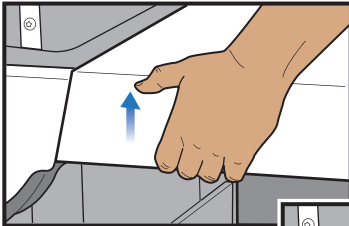
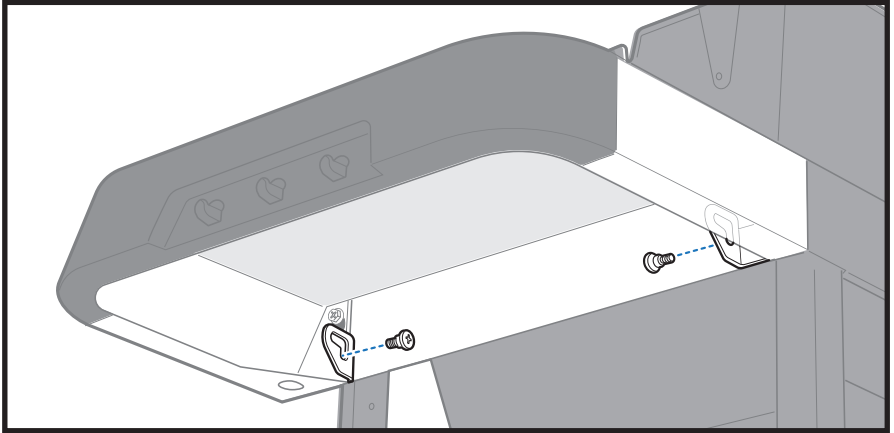
36



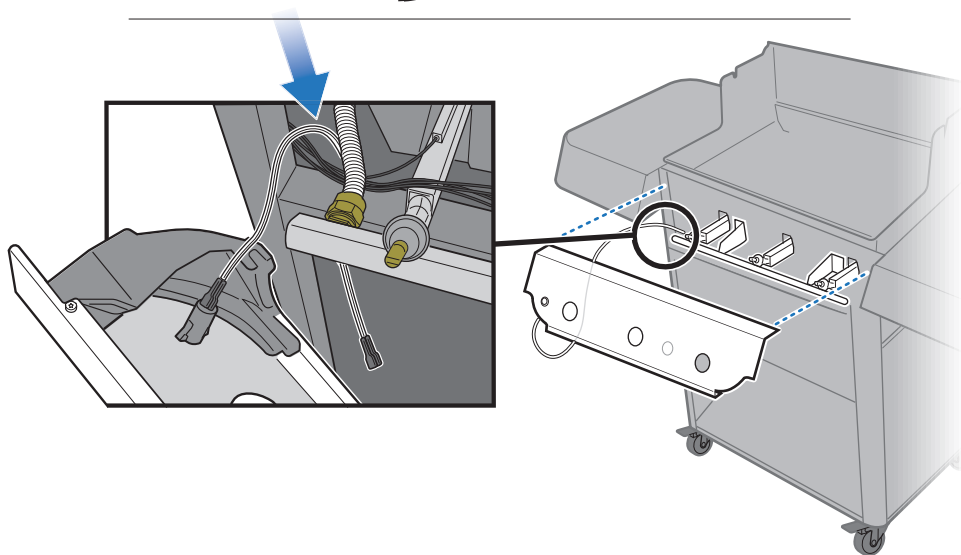
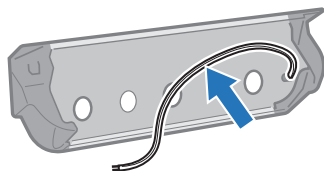
37



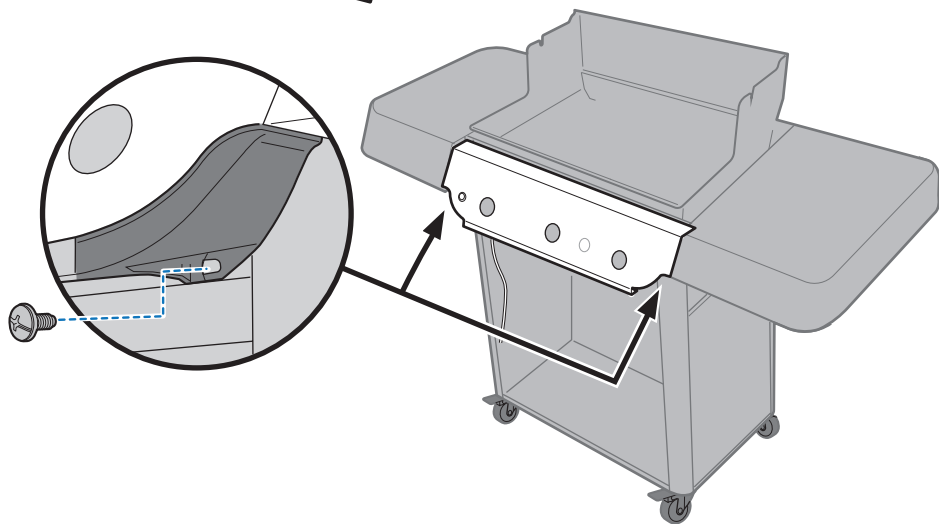
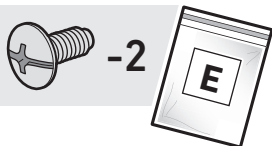
-2



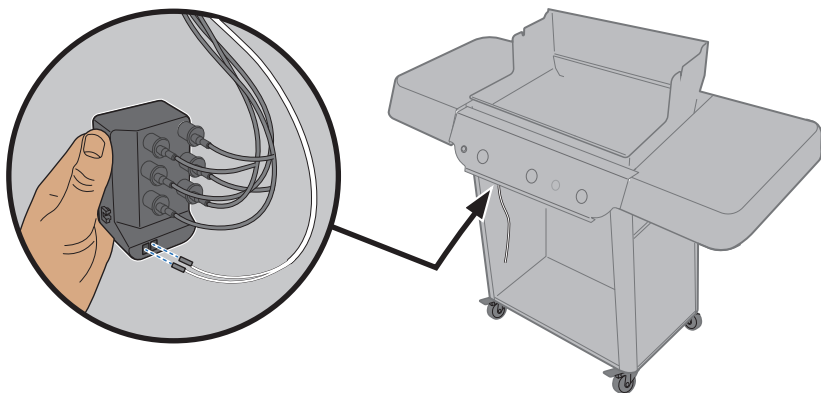
38



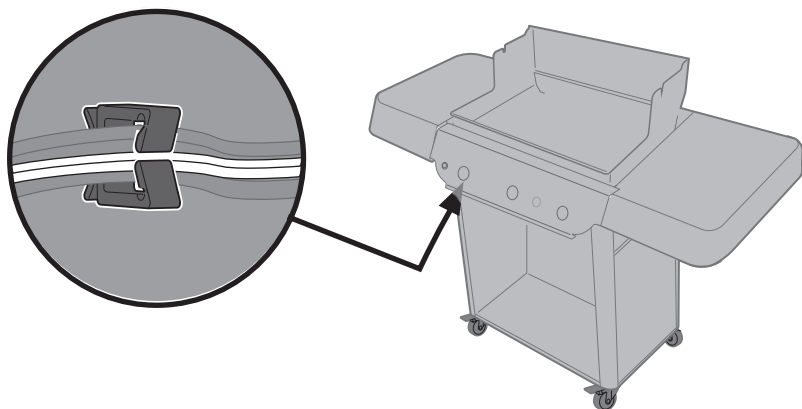
39



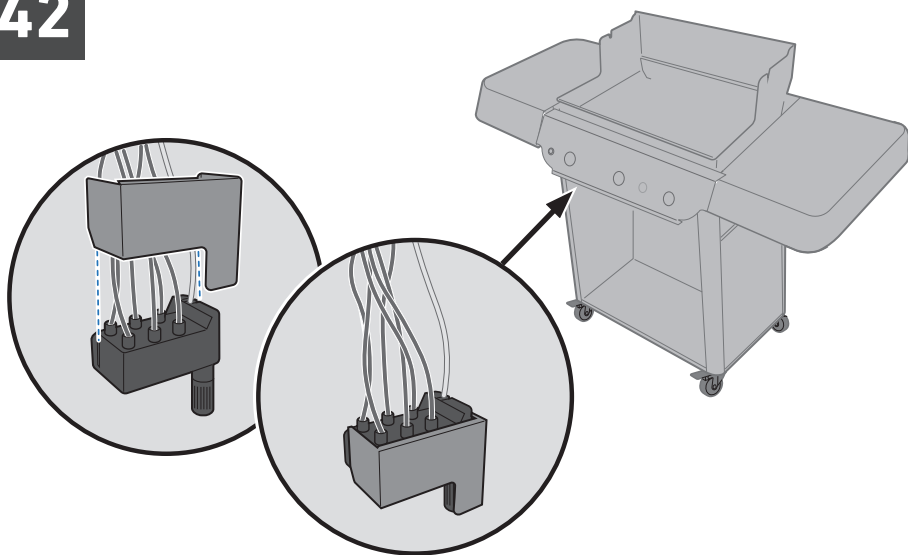
40



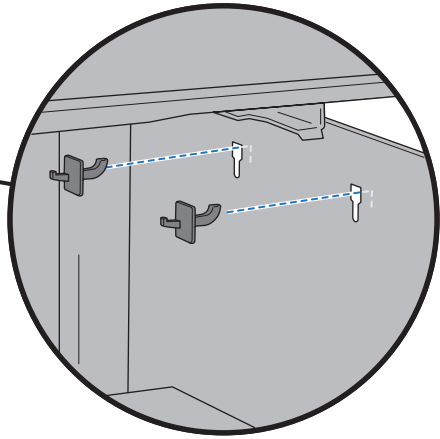
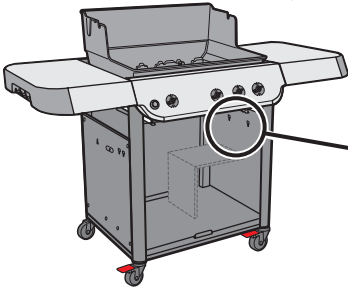
41



42

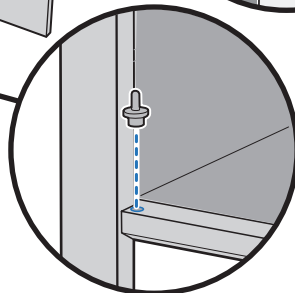
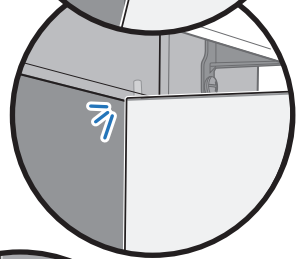
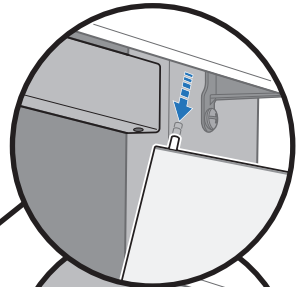
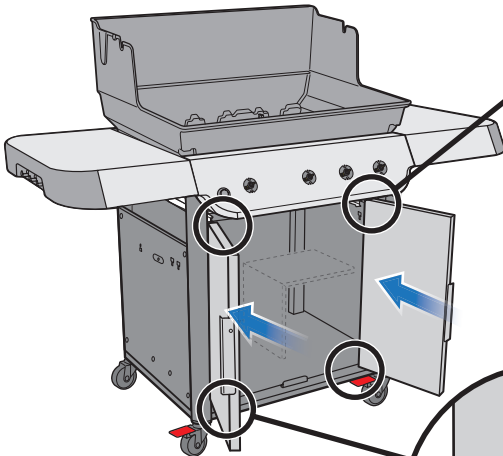


43



Refer to Owner's Guide for features and usage.

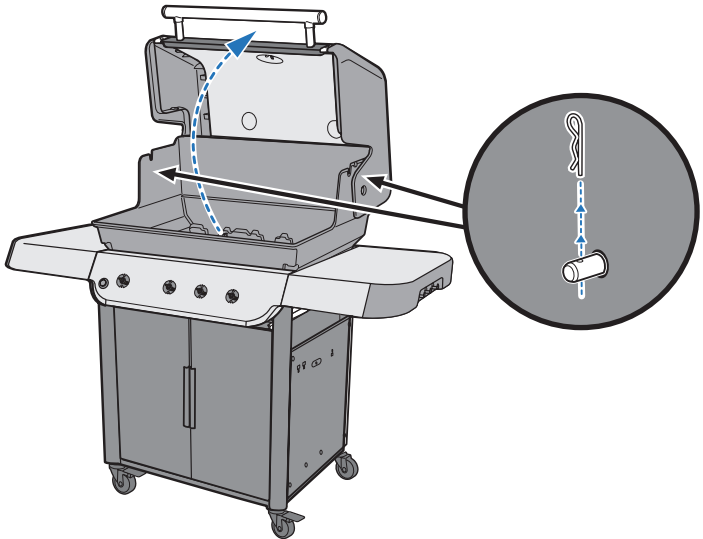
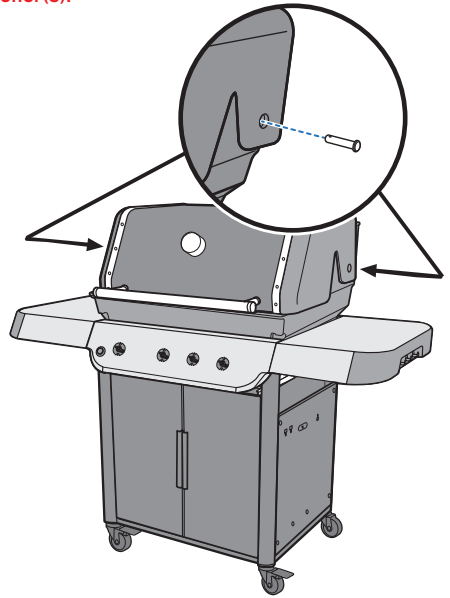
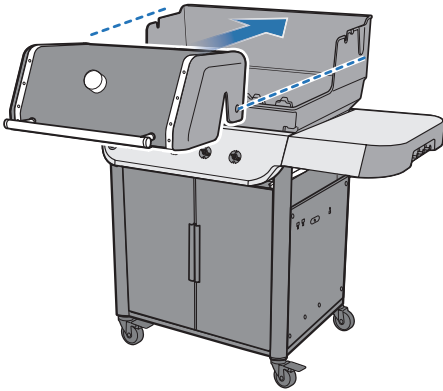
44



45

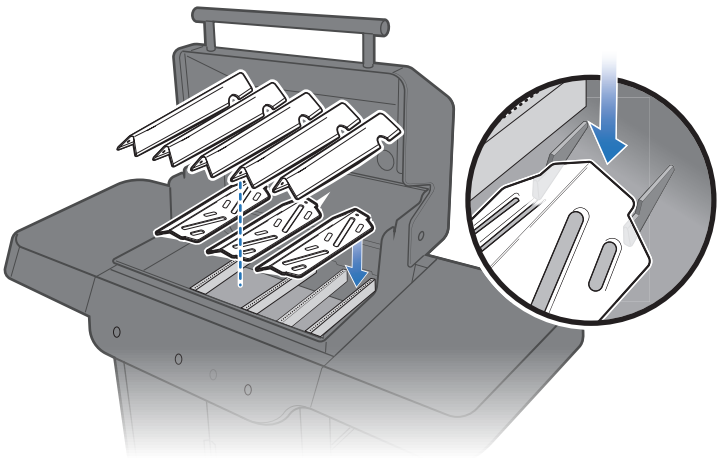


Extra fastener(s).

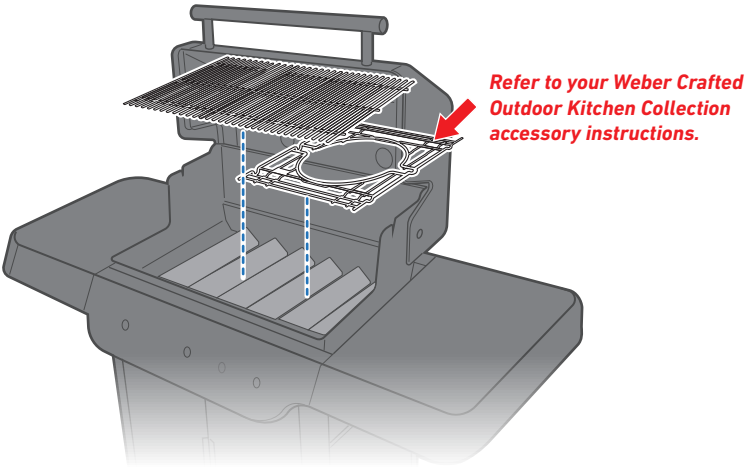


⚠ WARNING: Always keep lid closed when assembling or moving your barbecue.

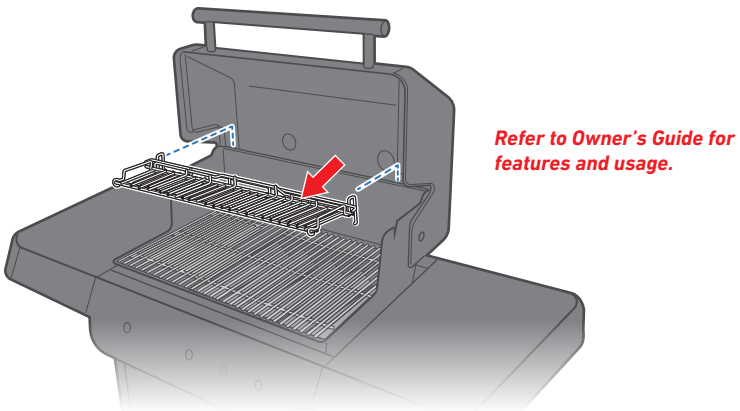
46



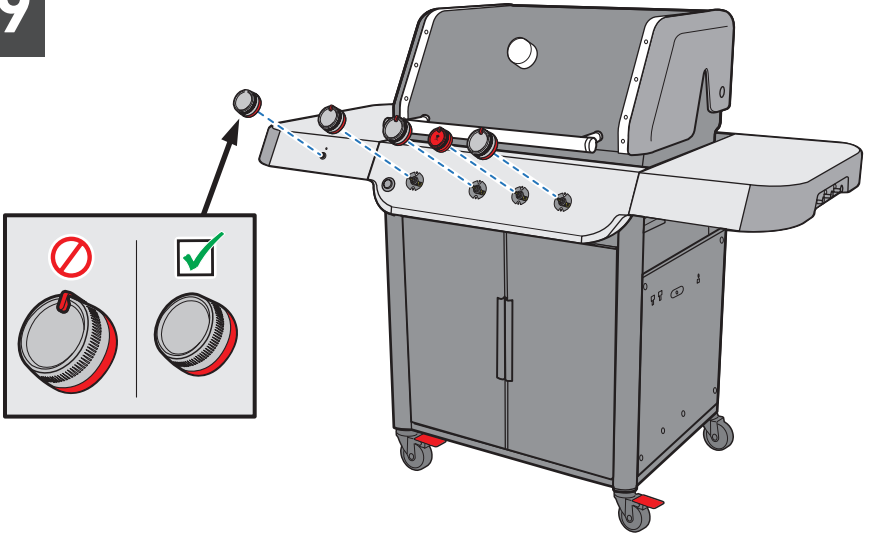
47



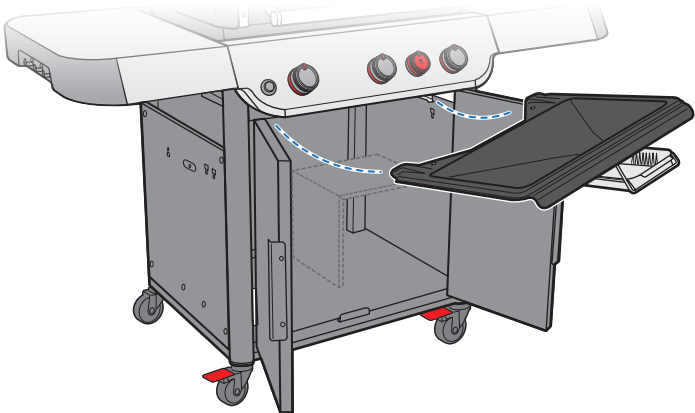
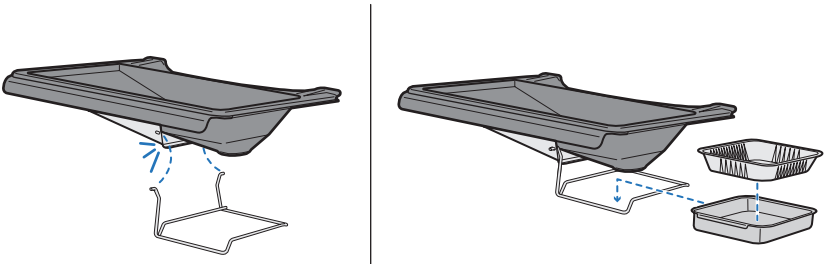
48



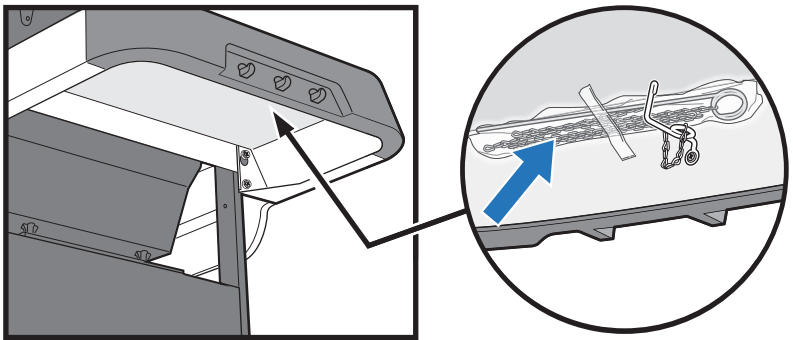
49



50



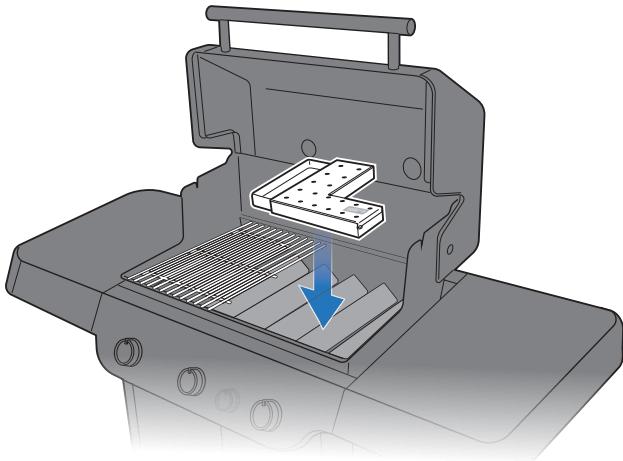
51



Refer to the Troubleshooting section of your Owner's Guide for match lighting instructions.

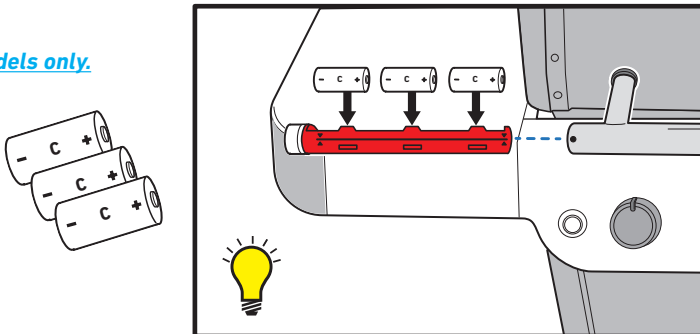
52

For select models only. Refer to Owner's Guide for features and usage.



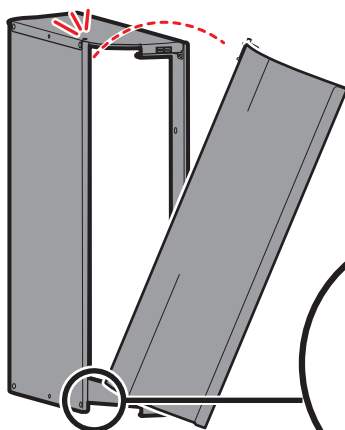
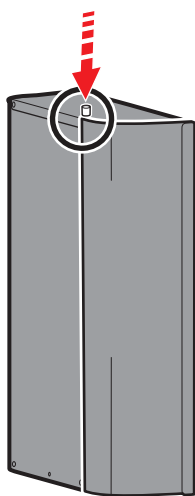
53

For select models only.

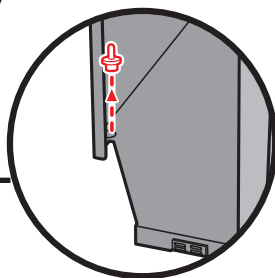


54

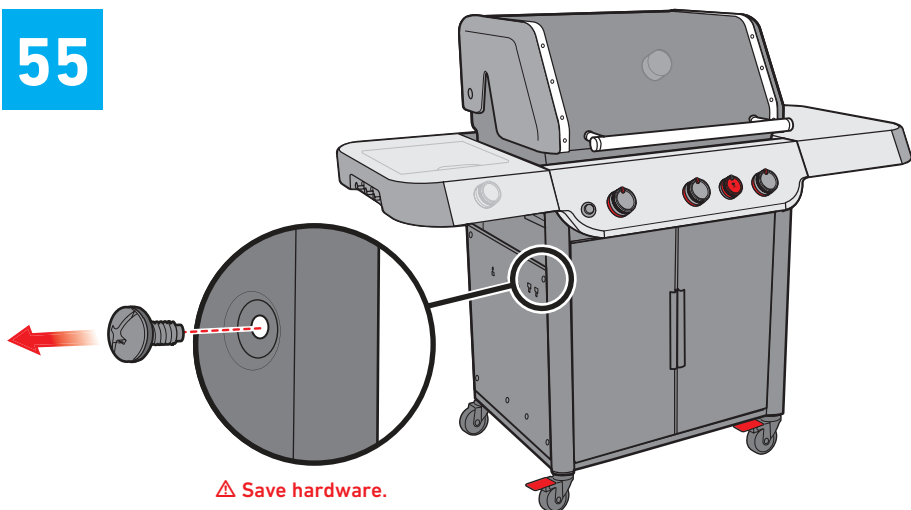
For select models only.
Refer to Owner's Guide for features and usage.



△ Save hardware.

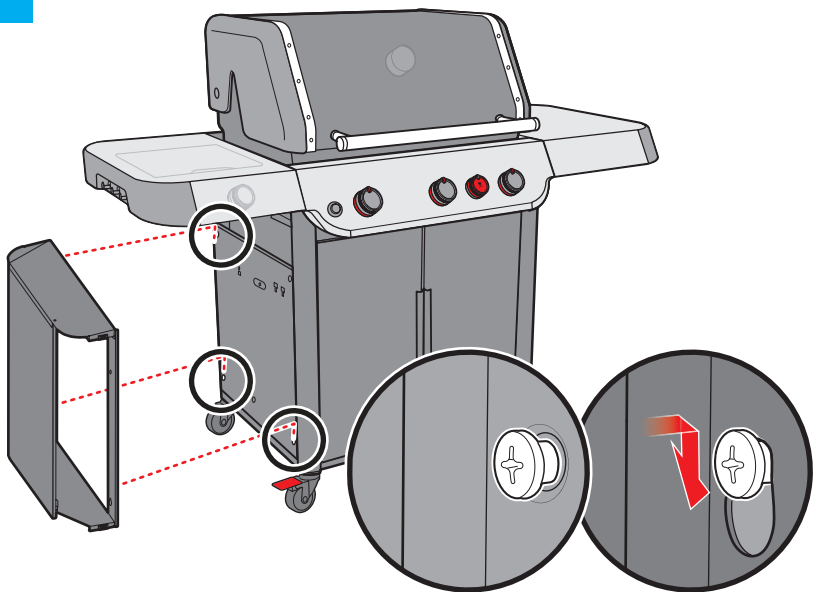


55

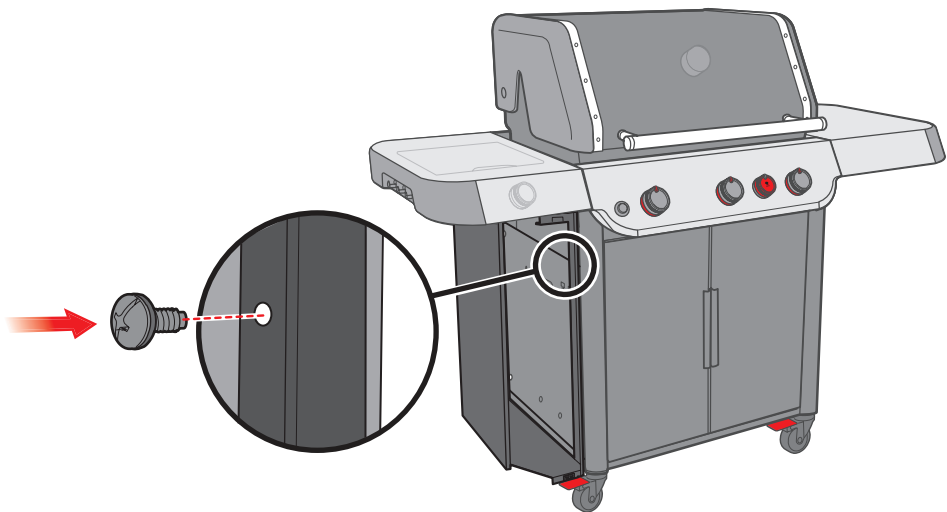


△ Save hardware.

56



57



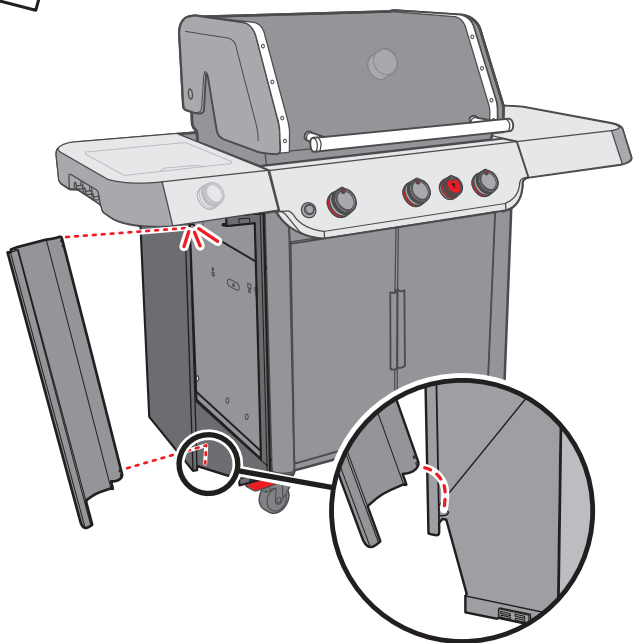
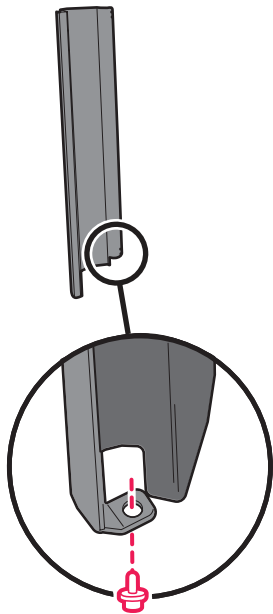
58



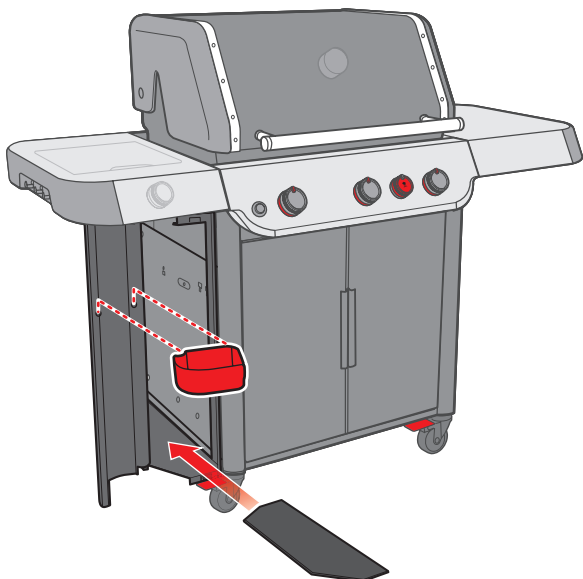
-1



Extra fastener(s).



59



⚠ Make sure all parts are assembled and all hardware is tightened before operating your barbecue.

⚠ Remove all packing material before operating your barbecue.

Register Today.



Apple and the Apple logo are trademarks of Apple Inc., registered in the U.S. and other countries. App Store is a service mark of Apple Inc. Android and Google Play are trademarks of Google Inc.

© 2021 Designed and engineered by Weber-Stephen Products LLC,
1415 S. Roselle Road, Palatine, Illinois 60067 USA.
www.weber.com