

SPIRIT

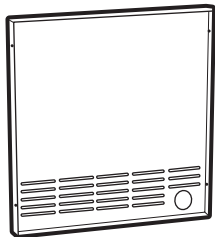
E-325 S



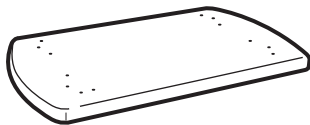
ASSEMBLY GUIDE

76531
091420
EN

1



1



1



1



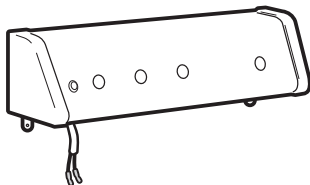
1



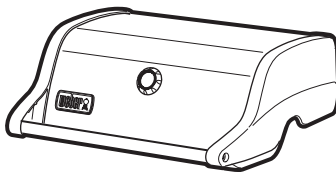
1



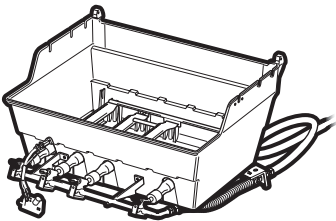
1



1



1



1



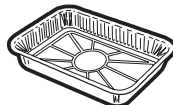
1



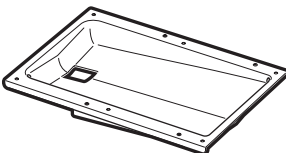
1



1



1



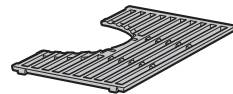
1



1



2



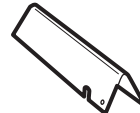
1



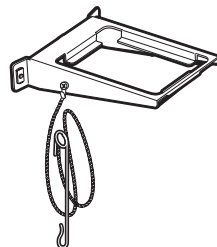
1



5



1



2



2

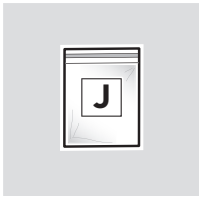
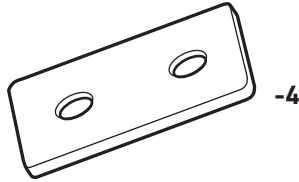
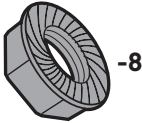
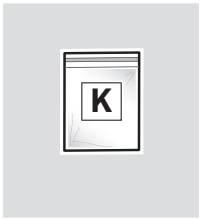
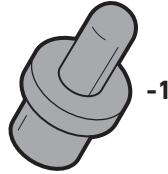
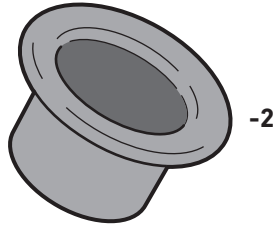
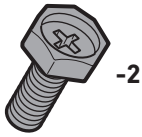
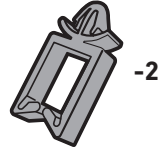
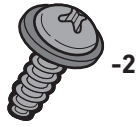
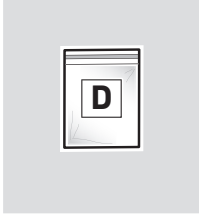
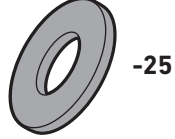


3

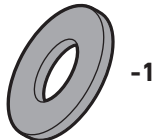
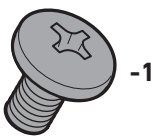


1





• Extra hardware

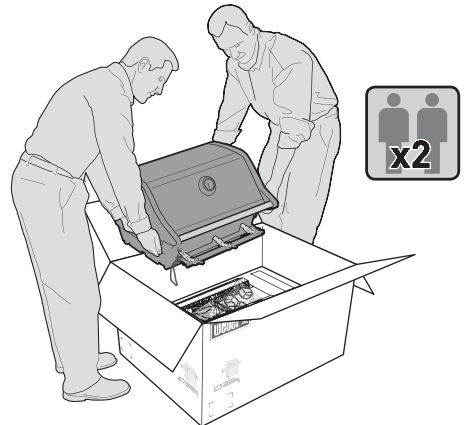


TOOLS REQUIRED:



7/16"

7/16", 9/16"



1

-16

A

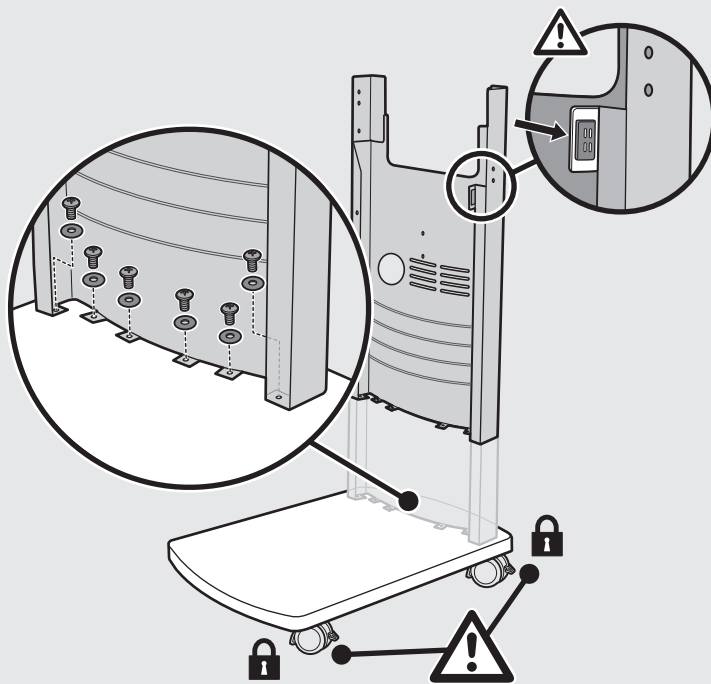
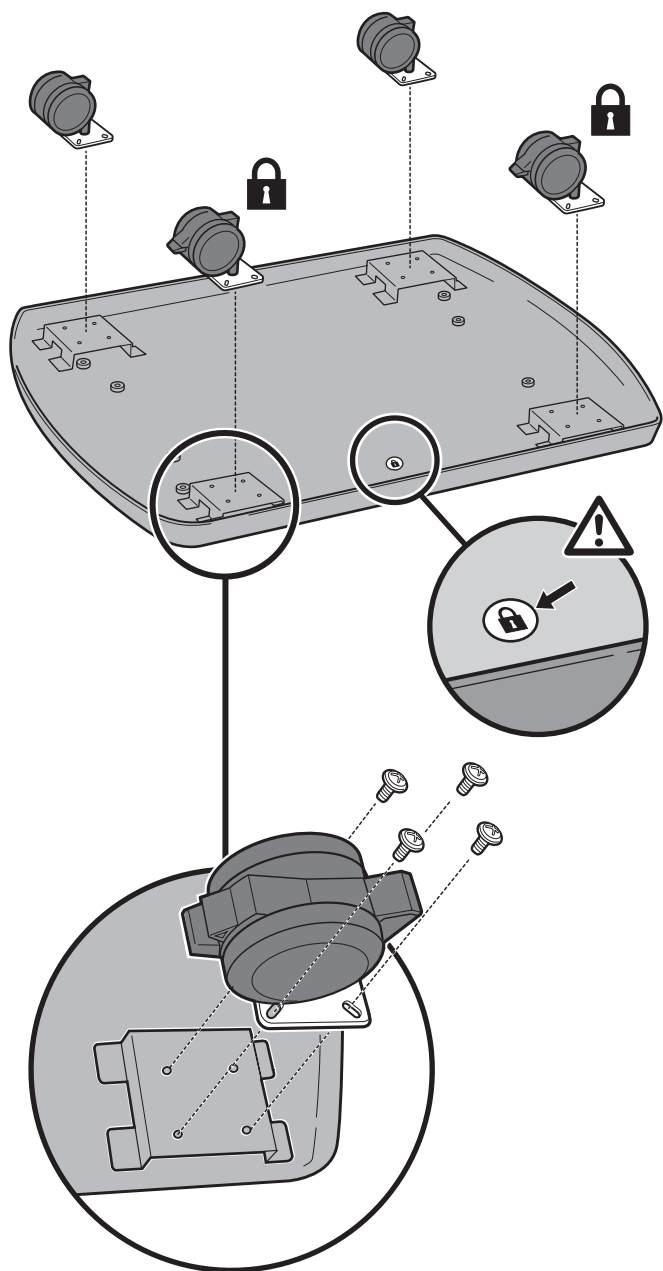
-2

-2

2

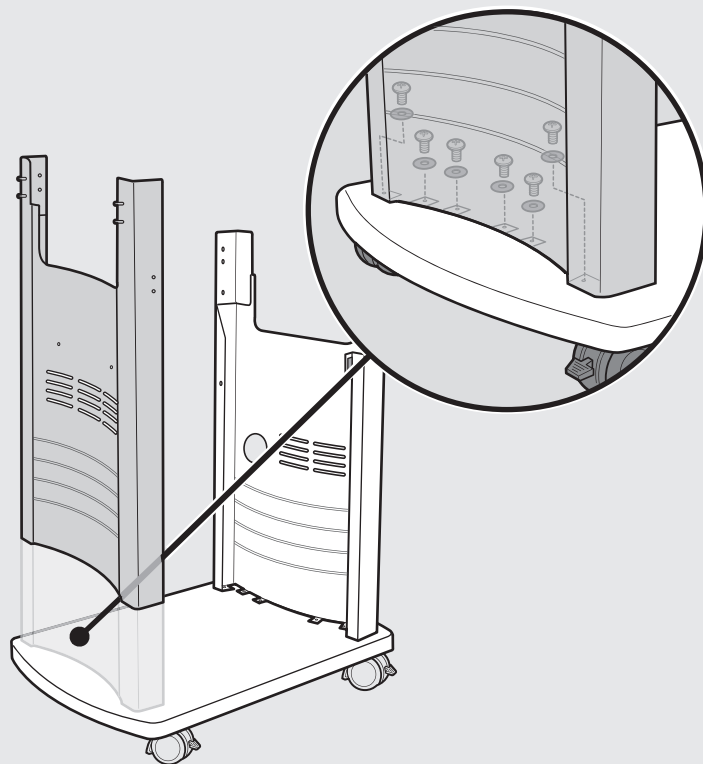
-6

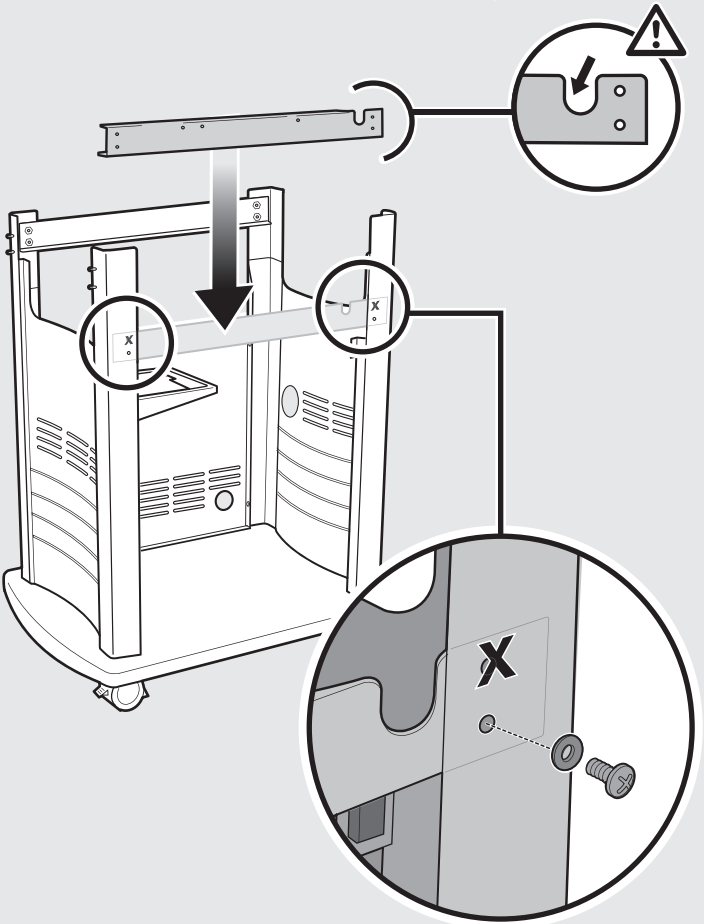
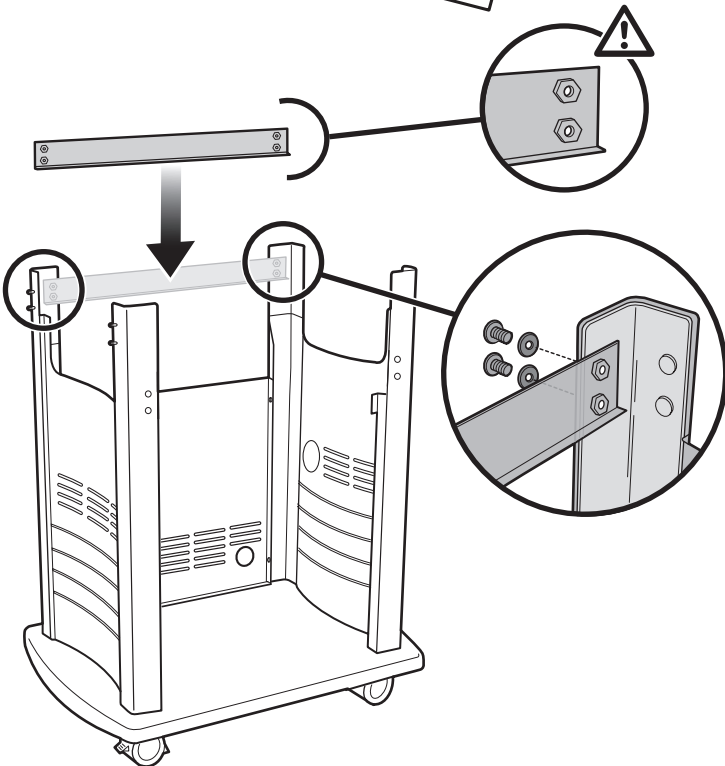
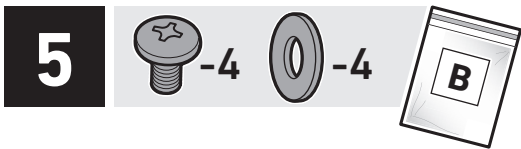
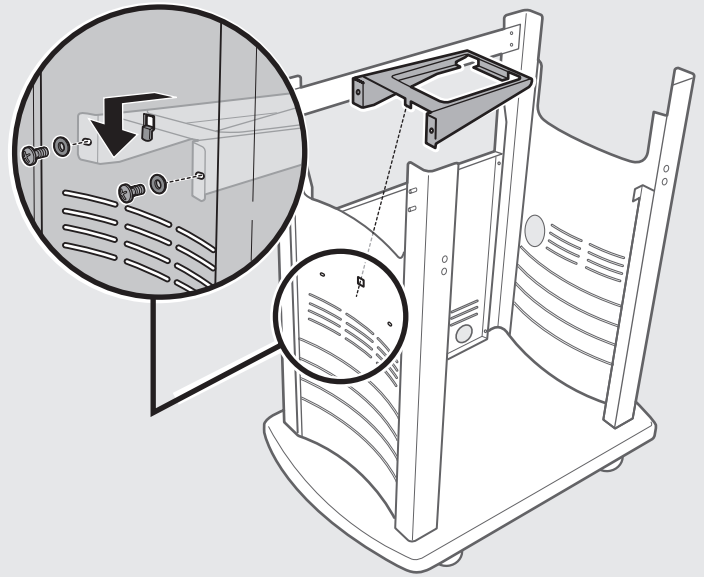
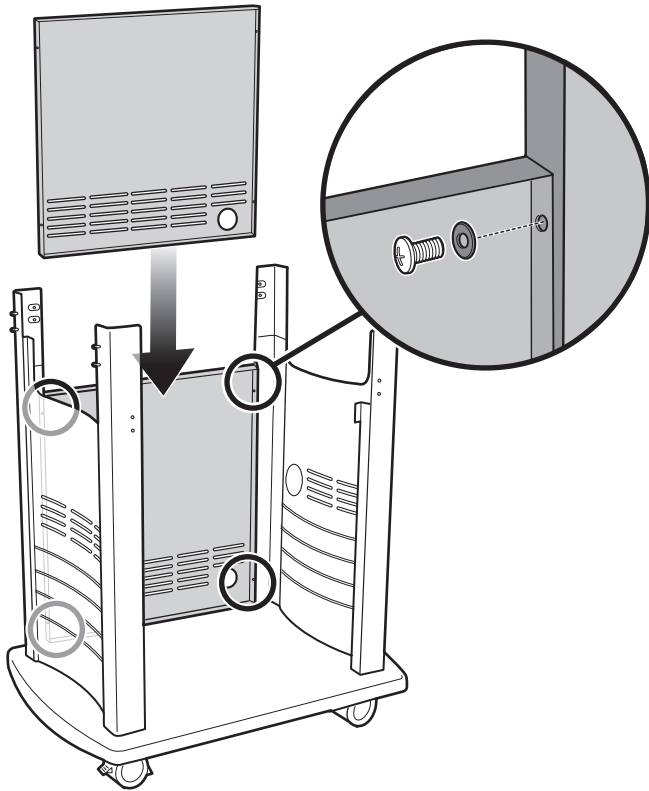
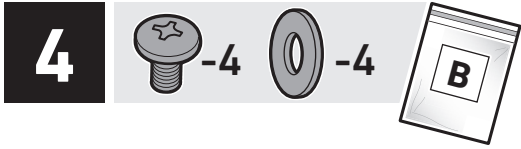
-6

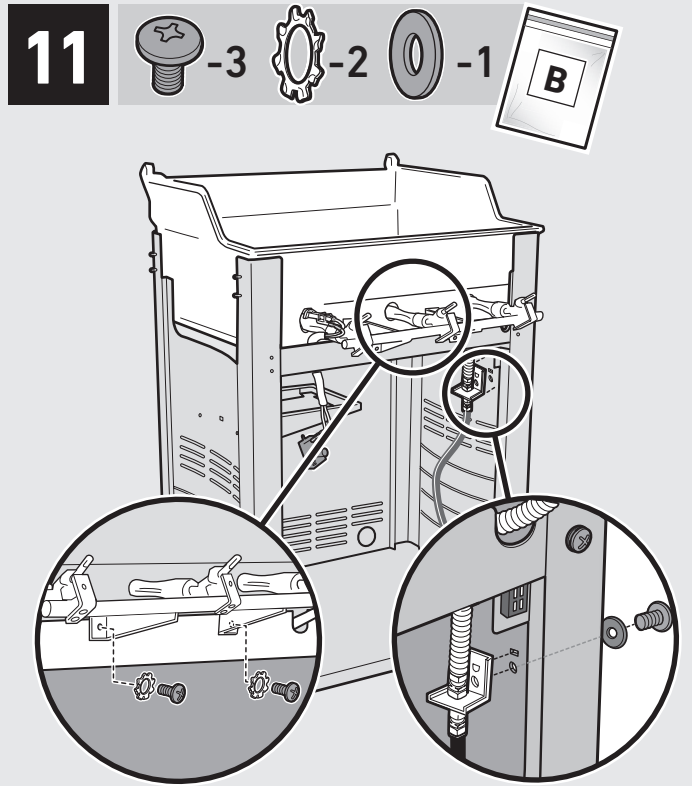
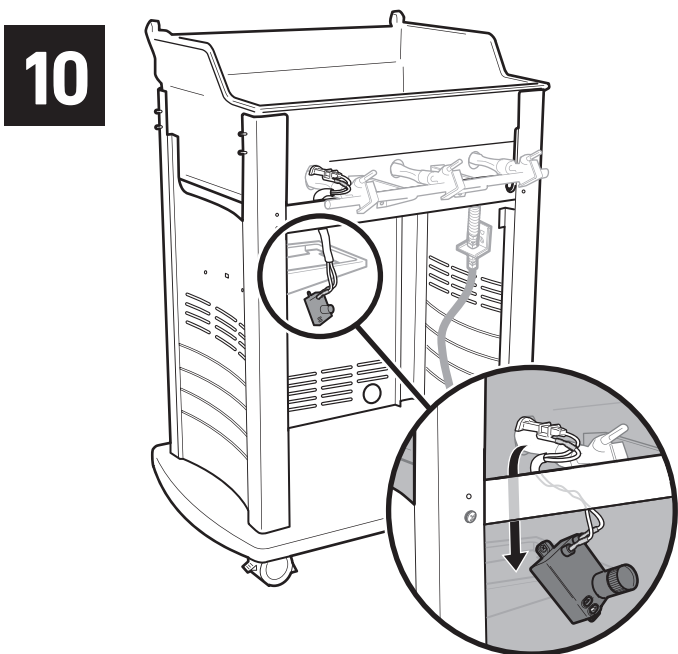
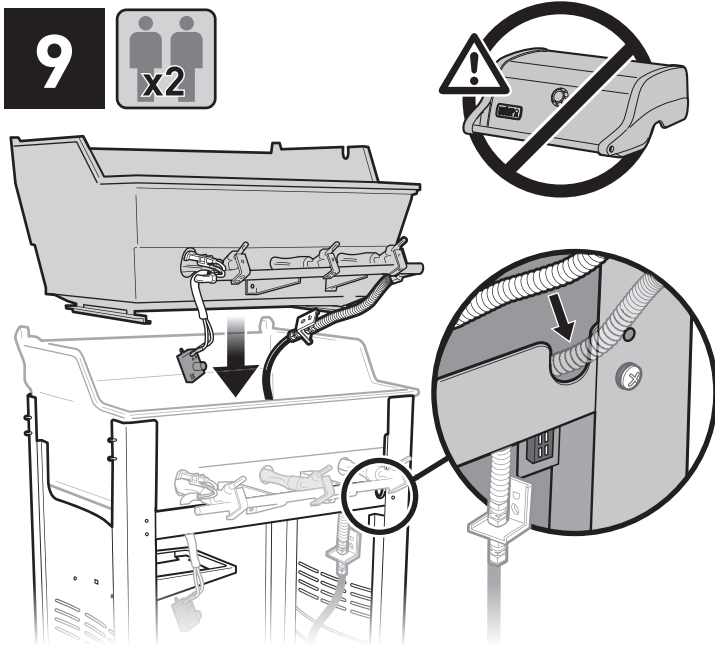
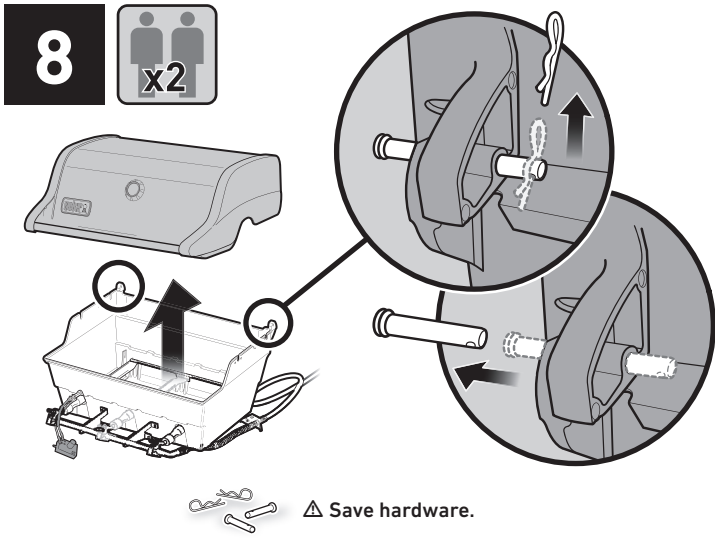
B**3**

-6

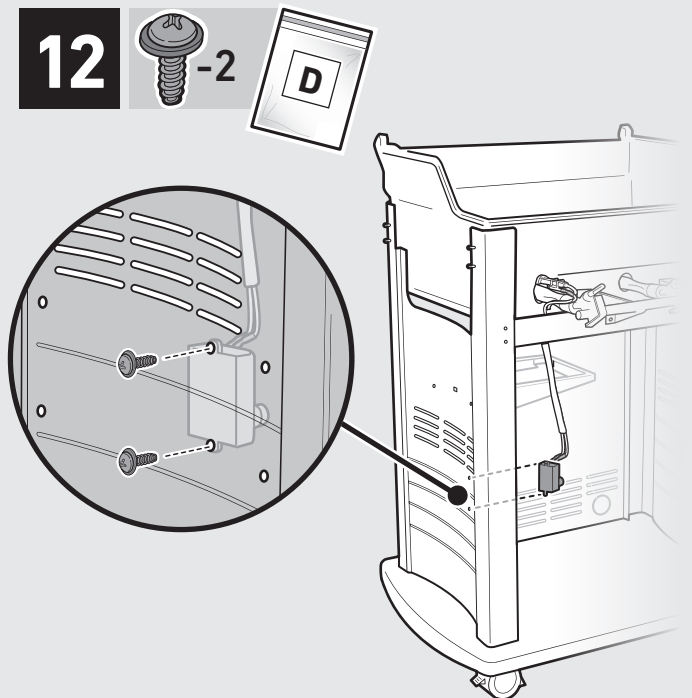
-6

B





See Owner's Guide for full gas instructions.

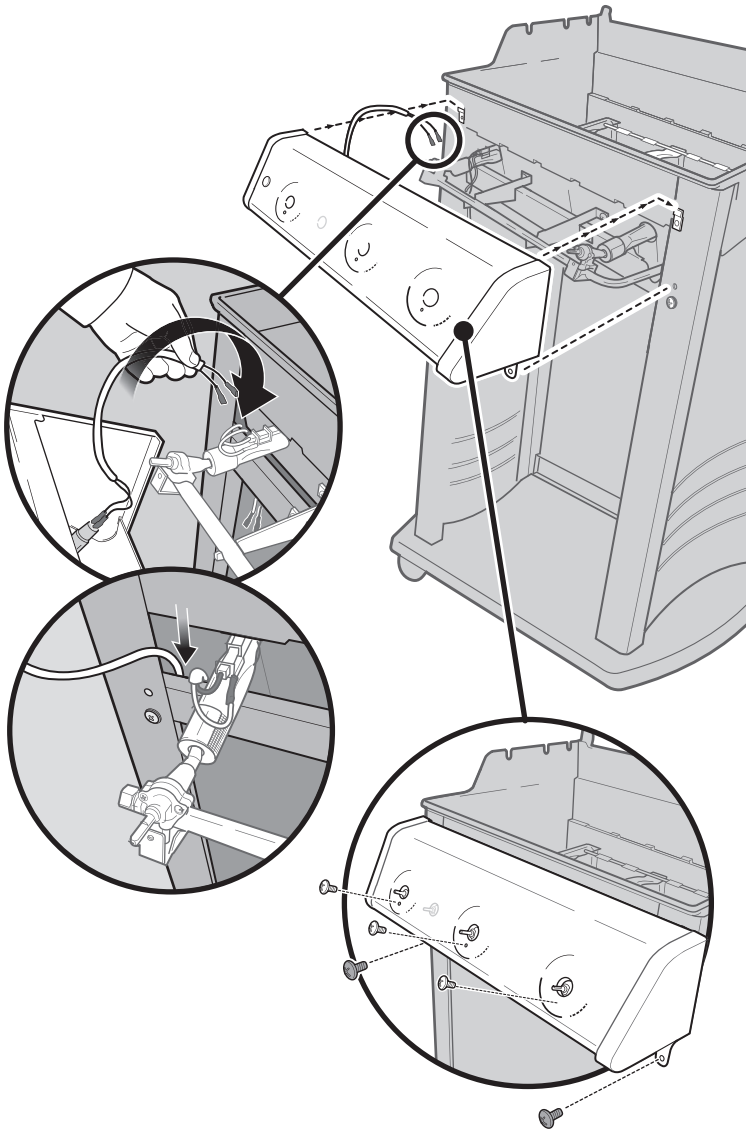


13



-2

B



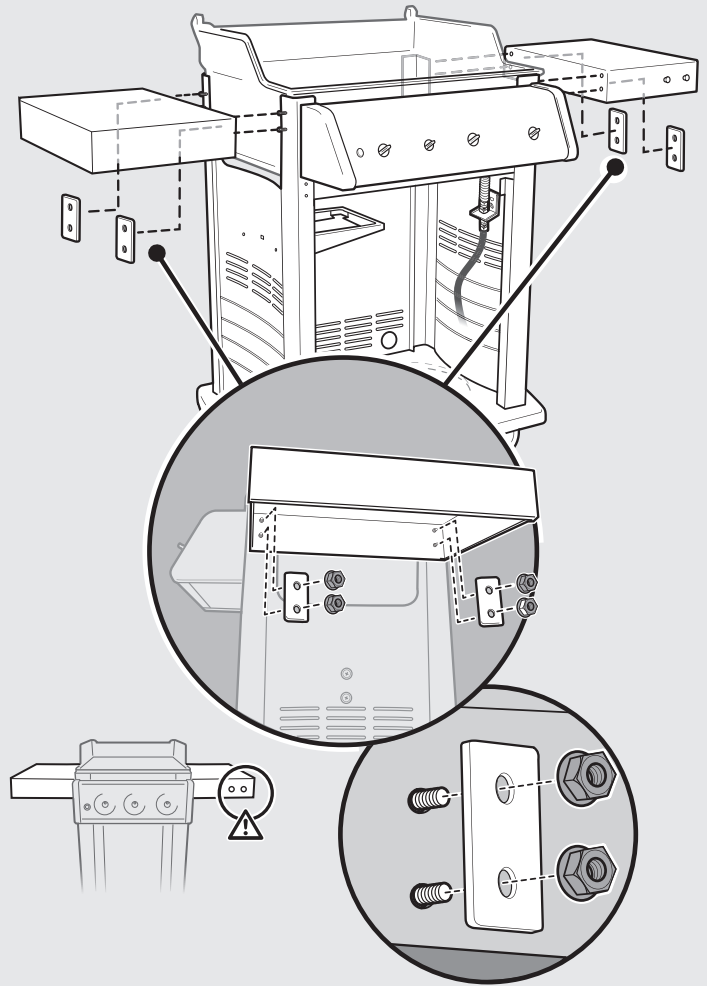
14



-8



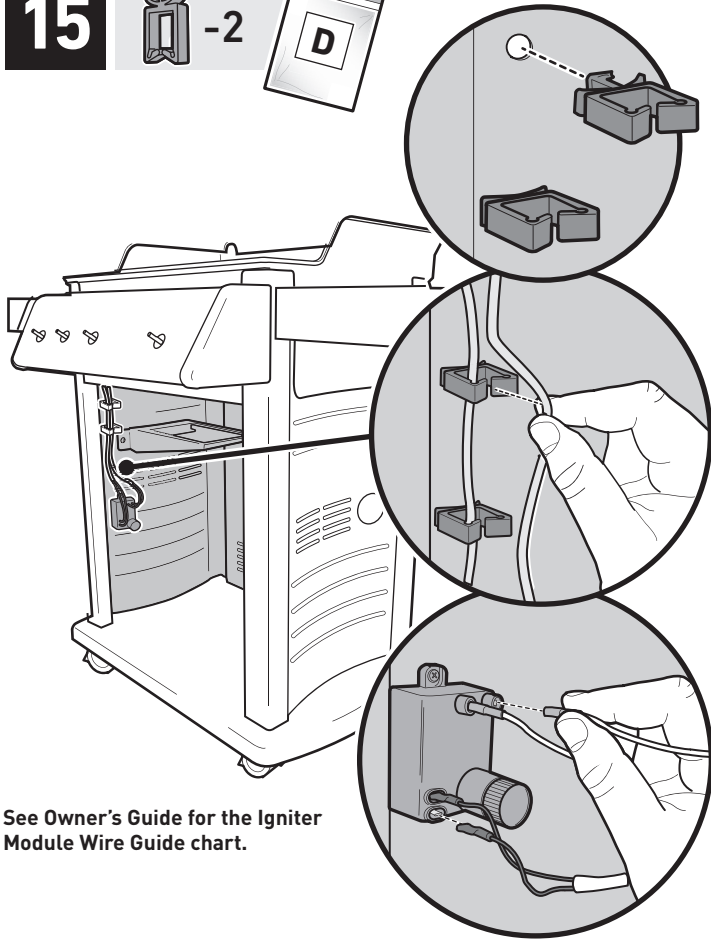
-4



Tighten the nuts until snug. Turn only a quarter turn further. DO NOT OVER TIGHTEN.

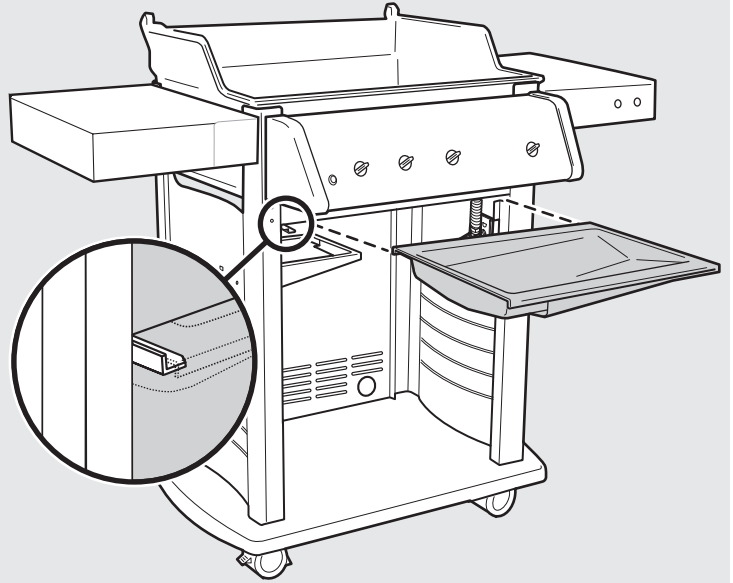


15

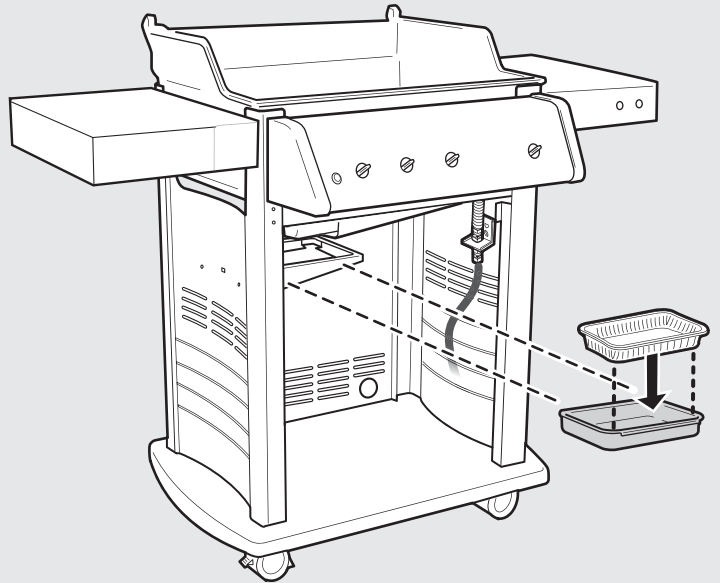


See Owner's Guide for the Igniter Module Wire Guide chart.

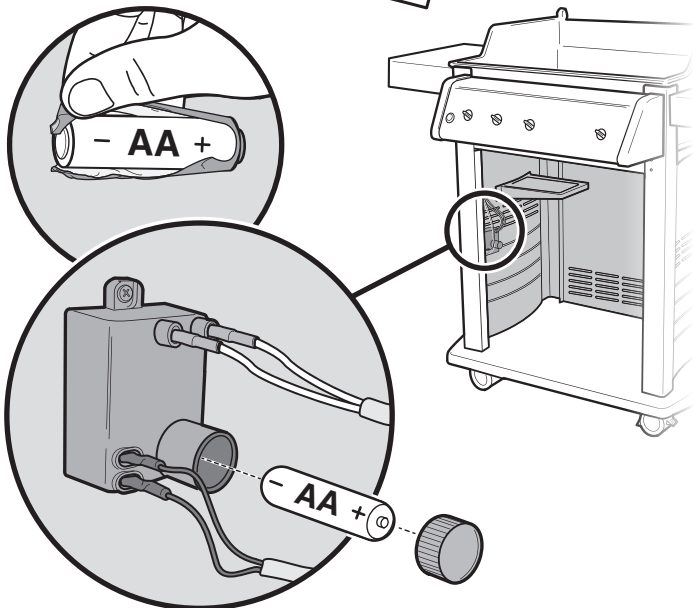
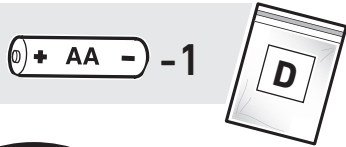
17

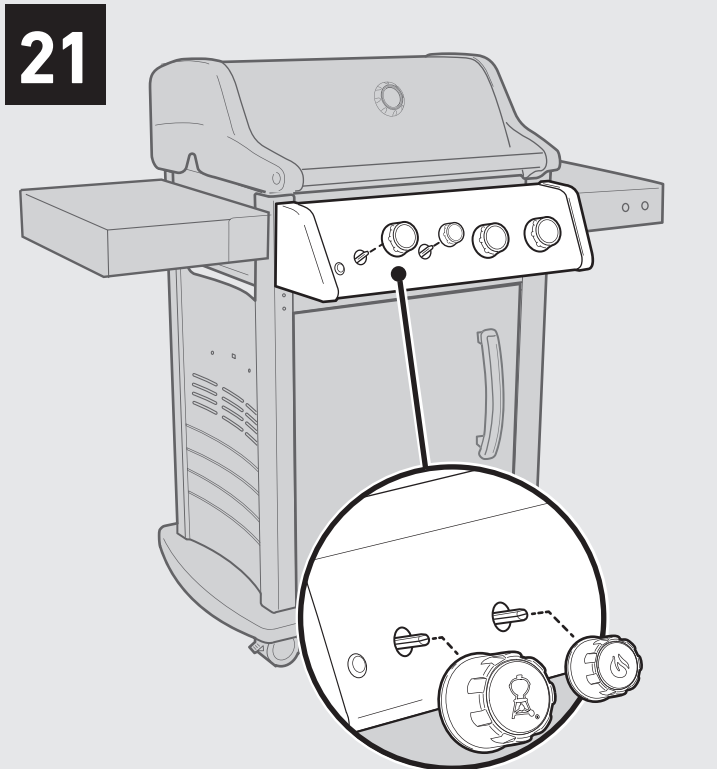
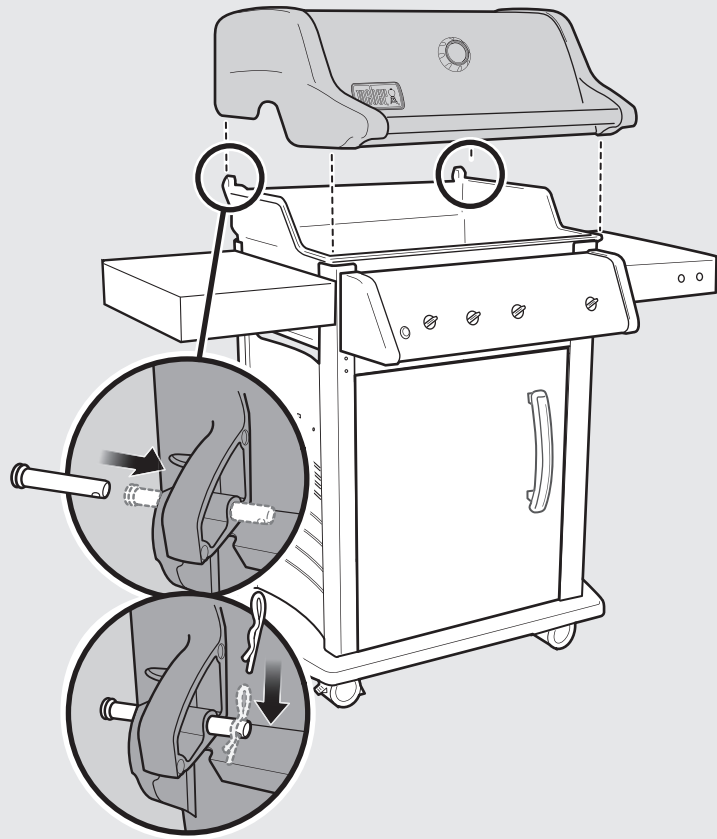
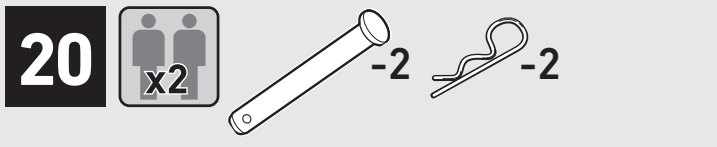
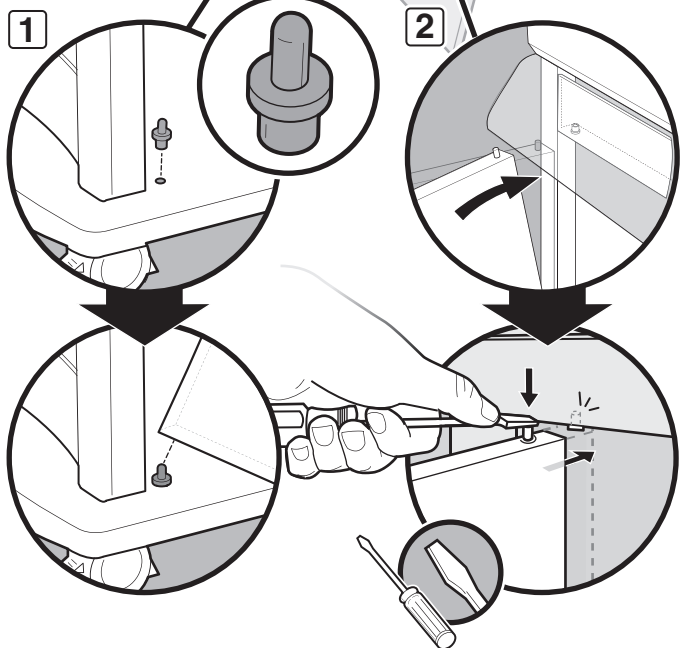
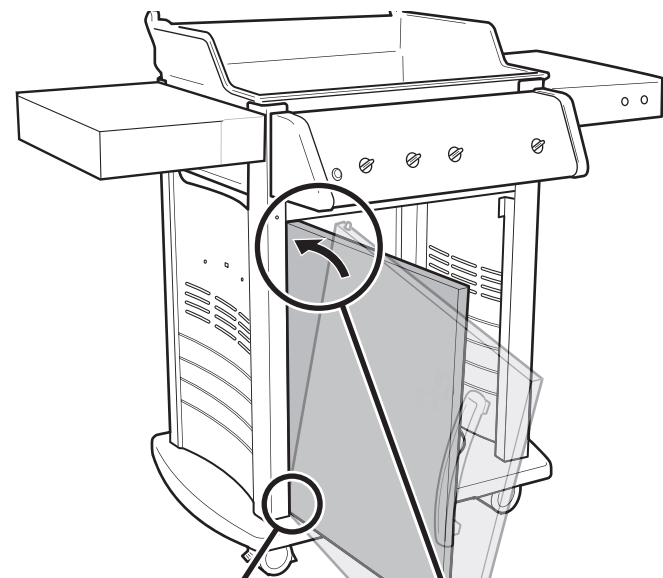
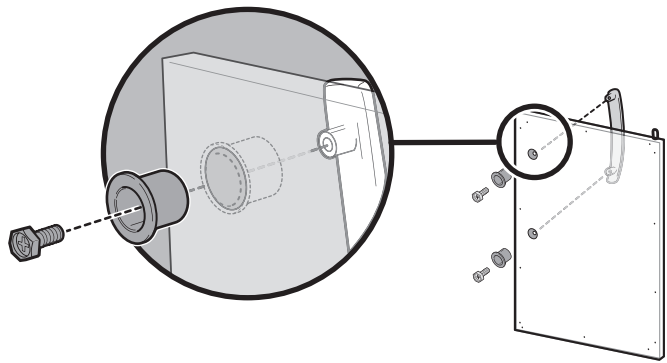
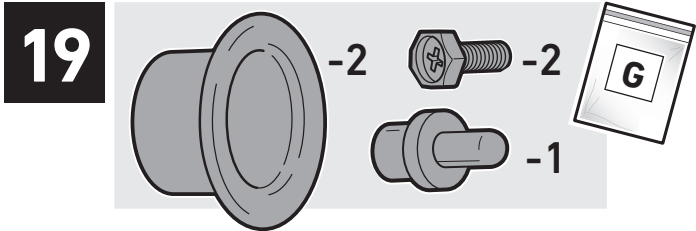


18

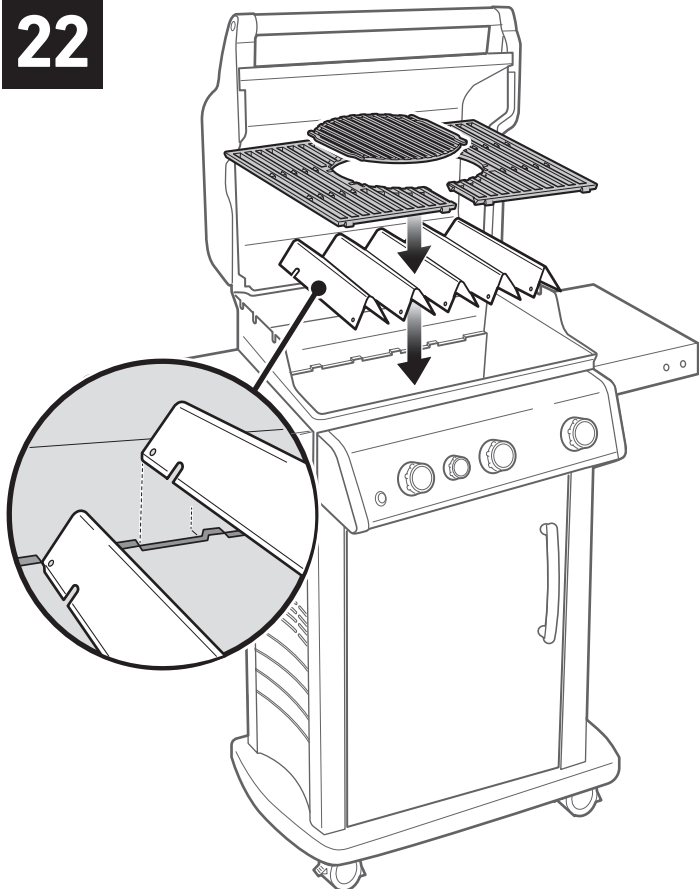


16

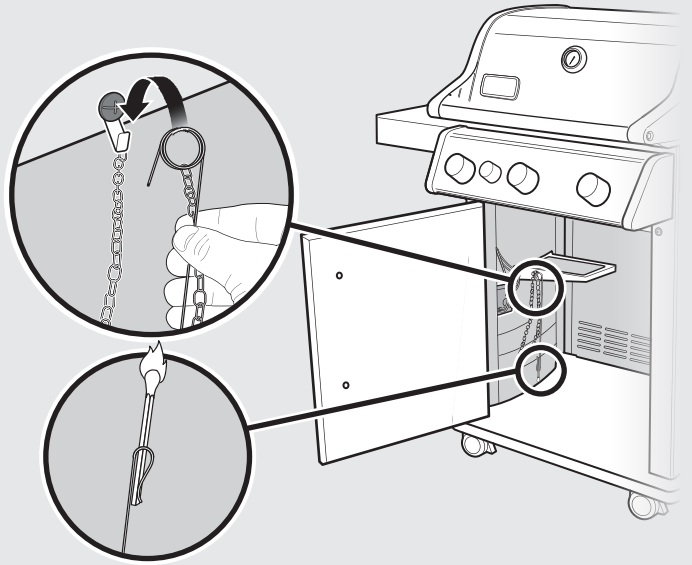




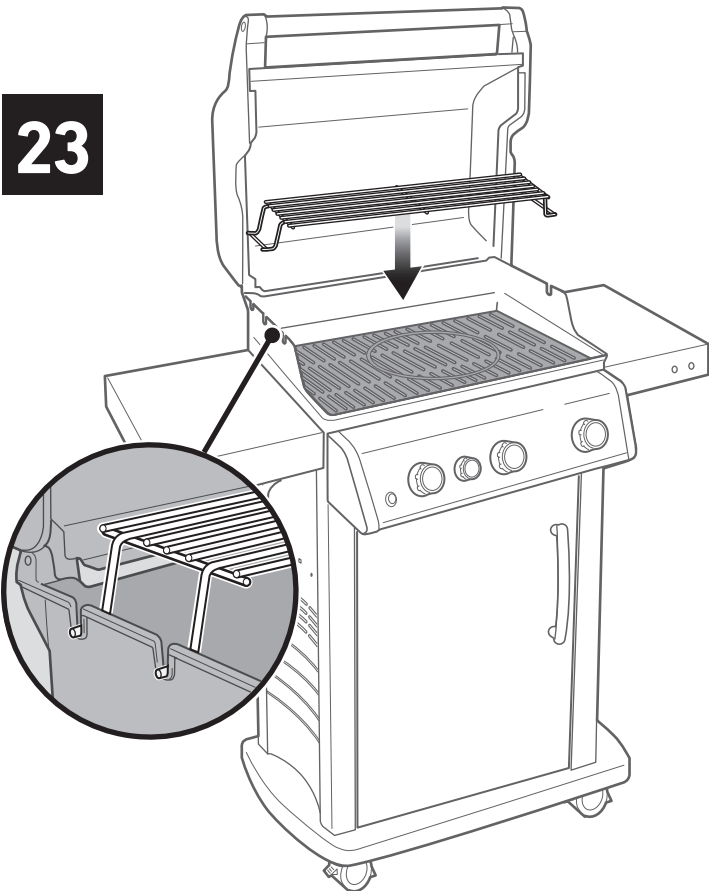
22



24



23





WEBER-STEPHEN PRODUCTS LLC
www.weber.com