




PERFORMER DELUXE

CHARCOAL GRILL OWNER'S GUIDE

Read owner's guide before using the barbecue.

Assembly -  Pg 6

YOU MUST READ THIS OWNER'S GUIDE BEFORE OPERATING YOUR GAS BARBECUE

⚠ DANGER

If you smell gas:

1. Shut off gas to the appliance.
2. Extinguish any open flames.
3. Open lid.
4. If odour continues, keep away from the appliance and immediately call your gas supplier or your fire service.

Leaking gas may cause a fire or explosion, which can cause serious bodily injury or death, or damage to property.

⚠ WARNING:

1. Do not store or use petrol or other flammable vapours and liquids in the vicinity of this or any other appliance.
2. A gas supply cylinder not connected for use should not be stored in the vicinity of this or any other appliance.

⚠ WARNING: Follow all leak-check procedures carefully in this manual prior to barbecue operation. Do this even if barbecue was dealer-assembled.

⚠ WARNING: Do not try to light the WEBER gas barbecue without first reading the "Lighting" instructions in this manual.

INFORMATION FOR THE INSTALLER:

This manual must remain with the owner, who should keep it for future use.

ONLY TO BE USED OUTDOORS.



53552

EUROPE
10/06/22

EN

FI

FR

IT

NO

DA

ES

SV

DE

NL

PT

PL

RU

FAILURE TO HEED THESE DANGER, WARNING AND CAUTION STATEMENTS MAY CAUSE SERIOUS BODILY INJURY OR DEATH, OR A FIRE OR EXPLOSION RESULTING IN DAMAGE TO PROPERTY.

- ⚠ SAFETY SYMBOLS (⚠) will alert you to important SAFETY information.
- ⚠ Signal words DANGER, WARNING, or CAUTION will be used with the SAFETY SYMBOL.
- ⚠ DANGER will identify the most serious hazard.
- ⚠ Please read all safety information contained in this Owner's Guide before operating this grill.

⚠ DANGERS

- ⚠ Do not use this grill under any overhead combustible structure.
- ⚠ Improper assembly may be dangerous. Please follow the assembly instructions in this manual. Do not use grill unless all parts are in place. Make sure either the ash-catcher is properly attached to the legs underneath the bowl of the grill, or the high-capacity ash-catcher is in place, before lighting the grill.
- ⚠ Combustible materials should never be within 60 cm of the top, bottom, back or sides of the grill.
- ⚠ Do not lean over the grill when lighting the gas burner.
- ⚠ Do not use the grill in high winds.
- ⚠ Do not operate the grill if a gas leak is present.
- ⚠ Do not use a flame to check for gas leaks.
- ⚠ Should the burner go out at any time during operation, turn gas tank valve off. Remove lid and wait five minutes before attempting to relight, using the lighting instructions outlined in this manual.
- ⚠ Do not attempt to disconnect the gas regulator from the tank or any gas fitting while the grill is in use.
- ⚠ Use only the LP gas regulator that is supplied with your grill.

⚠ WARNINGS

- ⚠ Follow regulator connection instructions for your type of gas grill.
- ⚠ Do not store a spare or disconnected LP disposable cartridge under or near this grill.
- ⚠ Keep the grill on a secure, level surface at all times, clear of combustible materials.
- ⚠ Do not put a grill cover or anything flammable on or in the storage area under the grill.
- ⚠ Always remove the lid before lighting the gas burner either manually or with the igniter. Lid must remain OFF until charcoal is fully ignited.
- ⚠ Use correct grill tools with long, heat-resistant handles.
- ⚠ Some models may include the TUCK-AWAY lid holder feature. The TUCK-AWAY lid holder is used to store the lid while checking on or turning your food. Do not use the TUCK-AWAY lid holder as a handle to lift or move the grill. Do not place a hot lid on carpeting or grass. Do not hang the lid on the bowl handle.
- ⚠ Handle and store hot electric starters carefully.
- ⚠ Keep electrical wires and power cables away from the hot surfaces of the grill and away from high-traffic areas.
- ⚠ After a period of storage and/or non-use, check for gas leaks and burner obstructions before using. See instructions in this manual for correct procedures.
- ⚠ The conversion or attempted use of natural gas in this grill is dangerous and will void your warranty.
- ⚠ A dented or rusty LP disposable cartridge may be hazardous and should be checked by your liquid propane supplier. Do not use an LP disposable cartridge with a damaged valve.
- ⚠ Although your LP disposable cartridge may appear to be empty, it may still contain gas. The LP disposable cartridge should be transported and stored accordingly.
- ⚠ Use heat-resistant barbecue mitts or gloves (conforming to EN 407, Contact Heat rating level 2 or greater) while cooking, adjusting air vents (dampers), adding charcoal, and handling thermometer or lid.
- ⚠ If you see, smell or hear gas escaping from the LP disposable cartridge:
 1. Get away from the LP disposable cartridge.
 2. Do not attempt to correct the problem yourself.
 3. Call your Fire Department.

⚠ CAUTIONS

- ⚠ Lining the bowl with aluminium foil will obstruct the air flow. Instead, use a drip pan to catch drippings from meat when cooking using the indirect method.
- ⚠ Using sharp objects to clean the cooking grate or remove ashes will damage the finish.
- ⚠ Using abrasive cleaners on the cooking grates or the grill itself will damage the finish.
- ⚠ The grill should be thoroughly cleaned on a regular basis.

Thank you for purchasing a WEBER product. Weber-Stephen Products LLC, 1415 S. Roselle Road, Palatine, Illinois 60067 ("WEBER") prides itself on delivering a safe, durable, and reliable product.

This is WEBER's Voluntary Warranty provided to you at no extra charge. It contains the information you will need to have your WEBER product repaired in the unlikely event of a failure or defect.

Pursuant to applicable laws, the customer has several rights in case the product is defective. Those rights include supplementary performance or replacement, abatement of the purchasing price, and compensation. In the European Union, for example, this would be a two-year statutory warranty starting on the date of the handover of the product. These and other statutory rights remain unaffected by this warranty provision. In fact, this warranty grants additional rights to the Owner that are independent from statutory warranty provisions.

WEBER'S VOLUNTARY WARRANTY

WEBER warrants, to the purchaser of the WEBER product (or in the case of a gift or promotional situation, the person for whom it was purchased as a gift or promotional item), that the WEBER product is free from defects in material and workmanship for the period(s) of time specified below when assembled and operated in accordance with the accompanying Owner's Manual. (Note: If you lose or misplace your WEBER Owner's Manual, a replacement is available online at www.weber.com, or such country-specific website to which Owner may be redirected.) Under normal, private single family home or apartment use and maintenance, WEBER agrees within the framework of this warranty to repair or replace defective parts within the applicable time periods, limitations, and exclusions listed below. TO THE EXTENT ALLOWABLE BY APPLICABLE LAW, THIS WARRANTY IS EXTENDED ONLY TO THE ORIGINAL PURCHASER AND IS NOT TRANSFERABLE TO SUBSEQUENT OWNERS, EXCEPT IN THE CASE OF GIFTS AND PROMOTIONAL ITEMS AS NOTED ABOVE.

OWNER'S RESPONSIBILITIES UNDER THIS WARRANTY

To ensure trouble-free warranty coverage, it is important (but it is not required) that you register your WEBER product online at www.weber.com, or such country-specific website to which Owner may be redirected. Please also retain your original sales receipt and/or invoice. Registering your WEBER product confirms your warranty coverage and provides a direct link between you and WEBER in case we need to contact you.

The above warranty only applies if the Owner takes reasonable care of the WEBER product by following all assembly instructions, usage instructions, and preventative maintenance as outlined in the accompanying Owner's Manual, unless the Owner can prove that the defect or failure is independent of non-compliance with the above mentioned obligations. If you live in a coastal area, or have your product located near a pool, maintenance includes regular washing and rinsing of the exterior surfaces as outlined in the accompanying Owner's Manual.

WARRANTY HANDLING / EXCLUSION OF WARRANTY

If you believe that you have a part which is covered by this Warranty, please contact WEBER Customer Service using the contact information on our website (www.weber.com, or such country-specific website to which Owner may be redirected). WEBER will, upon investigation, repair or replace (at its option) a defective part that is covered by this Warranty. In the event that repair or replacement are not possible, WEBER may choose (at its option) to replace the grill in question with a new grill of equal or greater value. WEBER may ask you to return parts for inspection, shipping charges to be pre-paid.

This WARRANTY lapses if there are damages, deteriorations, discolourations, and/or rust for which WEBER is not responsible caused by:

- Abuse, misuse, alteration, modification, misapplication, vandalism, neglect, improper assembly or installation, and failure to properly perform normal and routine maintenance;
- Insects (such as spiders) and rodents (such as squirrels), including but not limited to damage to burner tubes and/or gas hoses;
- Exposure to salt air and/or chlorine sources such as swimming pools and hot tubs/spas;
- Severe weather conditions such as hail, hurricanes, earthquakes, tsunamis or surges, tornadoes or severe storms.

The use and/or installation of parts on your WEBER product that are not genuine WEBER parts will void this Warranty, and any damages that result hereby are not covered by this Warranty. Any conversion of a gas grill not authorized by WEBER and performed by a WEBER authorized service technician will void this Warranty.

REPLACEMENT HOSE, REGULATOR AND VALVE ASSEMBLY

⚠ IMPORTANT NOTICE: We recommend that you replace the gas hose assembly on your WEBER gas barbecue every 5 years. Some countries may have requirements that the gas hose be replaced within less than 5 years, in which case that country's requirement would take precedence.

For replacement hose, regulator, and valve assemblies, contact the Customer Service Representative in your area using the contact information on our web site. Log on to www.weber.com.

PRODUCT WARRANTY PERIODS

Bowl, lid, and center ring:
10 years, rust through/burn through

ONE-TOUCH cleaning system:
5 years, rust through/burn through

Plastic components:
5 years, excluding fading or discolouration

All remaining parts:
2 years

DISCLAIMERS

APART FROM THE WARRANTY AND DISCLAIMERS AS DESCRIBED IN THIS WARRANTY STATEMENT, THERE ARE EXPLICITLY NO FURTHER WARRANTY OR VOLUNTARY DECLARATIONS OF LIABILITY GIVEN HERE WHICH GO BEYOND THE STATUTORY LIABILITY APPLYING TO WEBER. THE PRESENT WARRANTY STATEMENT ALSO DOES NOT LIMIT OR EXCLUDE SITUATIONS OR CLAIMS WHERE WEBER HAS MANDATORY LIABILITY AS PRESCRIBED BY STATUTE.

NO WARRANTIES SHALL APPLY AFTER THE APPLICABLE PERIODS OF THIS WARRANTY. NO OTHER WARRANTIES GIVEN BY ANY PERSON, INCLUDING A DEALER OR RETAILER, WITH RESPECT TO ANY PRODUCT (SUCH AS ANY "EXTENDED WARRANTIES"), SHALL BIND WEBER. THE EXCLUSIVE REMEDY OF THIS WARRANTY IS REPAIR OR REPLACEMENT OF THE PART OR PRODUCT.

IN NO EVENT UNDER THIS VOLUNTARY WARRANTY SHALL RECOVERY OF ANY KIND BE GREATER THAN THE AMOUNT OF THE PURCHASE PRICE OF THE WEBER PRODUCT SOLD.

YOU ASSUME THE RISK AND LIABILITY FOR LOSS, DAMAGE, OR INJURY TO YOU AND YOUR PROPERTY AND/OR TO OTHERS AND THEIR PROPERTY ARISING OUT OF THE MISUSE OR ABUSE OF THE PRODUCT OR FAILURE TO FOLLOW INSTRUCTIONS PROVIDED BY WEBER IN THE ACCOMPANYING OWNER'S MANUAL.

PARTS AND ACCESSORIES REPLACED UNDER THIS WARRANTY ARE WARRANTED ONLY FOR THE BALANCE OF THE ABOVE MENTIONED ORIGINAL WARRANTY PERIOD(S).

THIS WARRANTY APPLIES TO PRIVATE SINGLE FAMILY HOME OR APARTMENT USE ONLY AND DOES NOT APPLY TO WEBER GRILLS USED IN COMMERCIAL, COMMUNAL OR MULTI-UNIT SETTINGS SUCH AS RESTAURANTS, HOTELS, RESORTS, OR RENTAL PROPERTIES.

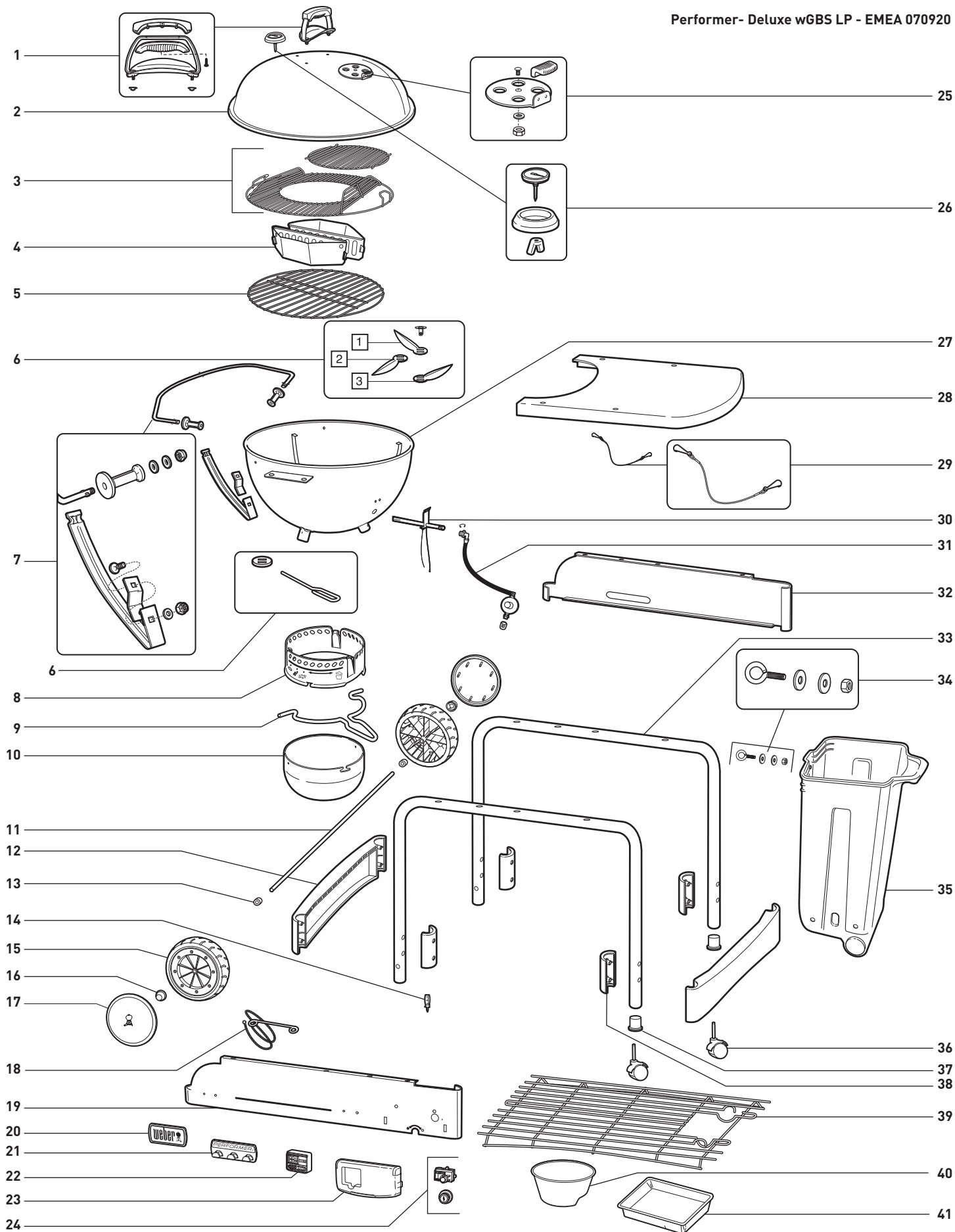
WEBER MAY FROM TIME TO TIME CHANGE THE DESIGN OF ITS PRODUCTS. NOTHING CONTAINED IN THIS WARRANTY SHALL BE CONSTRUED AS OBLIGATING WEBER TO INCORPORATE SUCH DESIGN CHANGES INTO PREVIOUSLY MANUFACTURED PRODUCTS, NOR SHALL SUCH CHANGES BE CONSTRUED AS AN ADMISSION THAT PREVIOUS DESIGNS WERE DEFECTIVE.

Refer to International Business Units list at the end of this Owner's Manual for additional contact information.

CONSUMPTION DATA

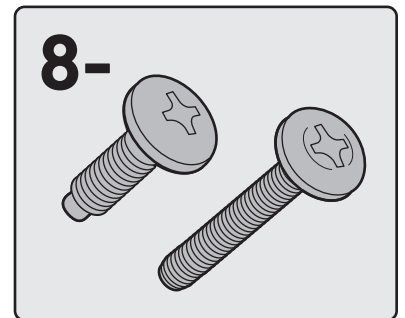
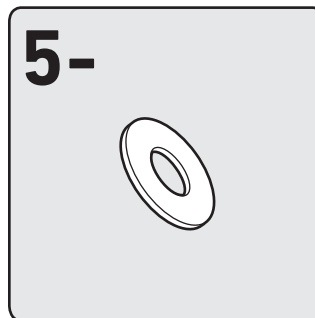
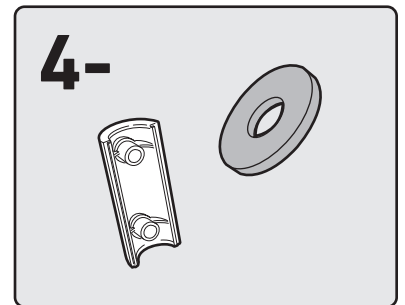
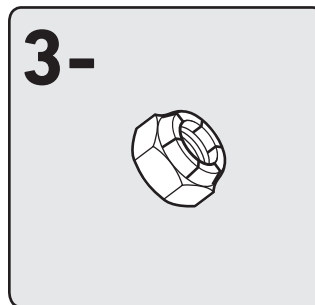
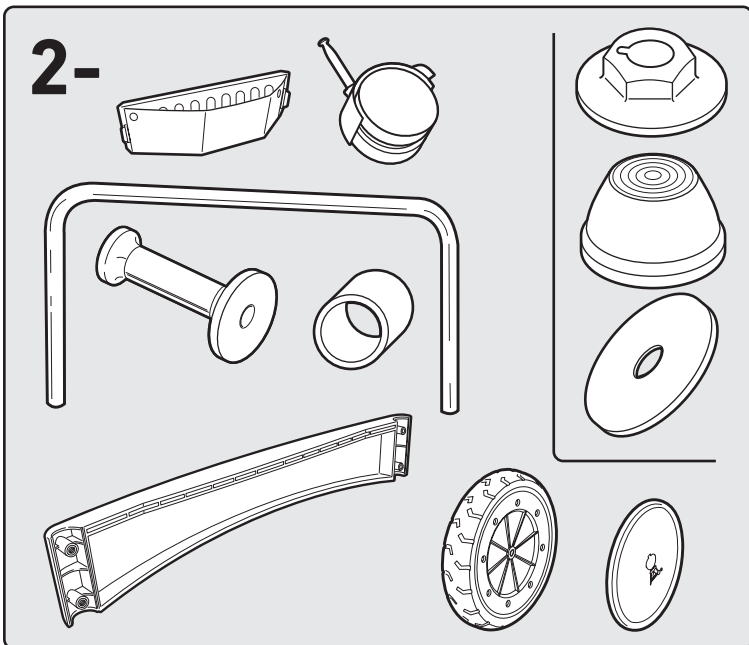
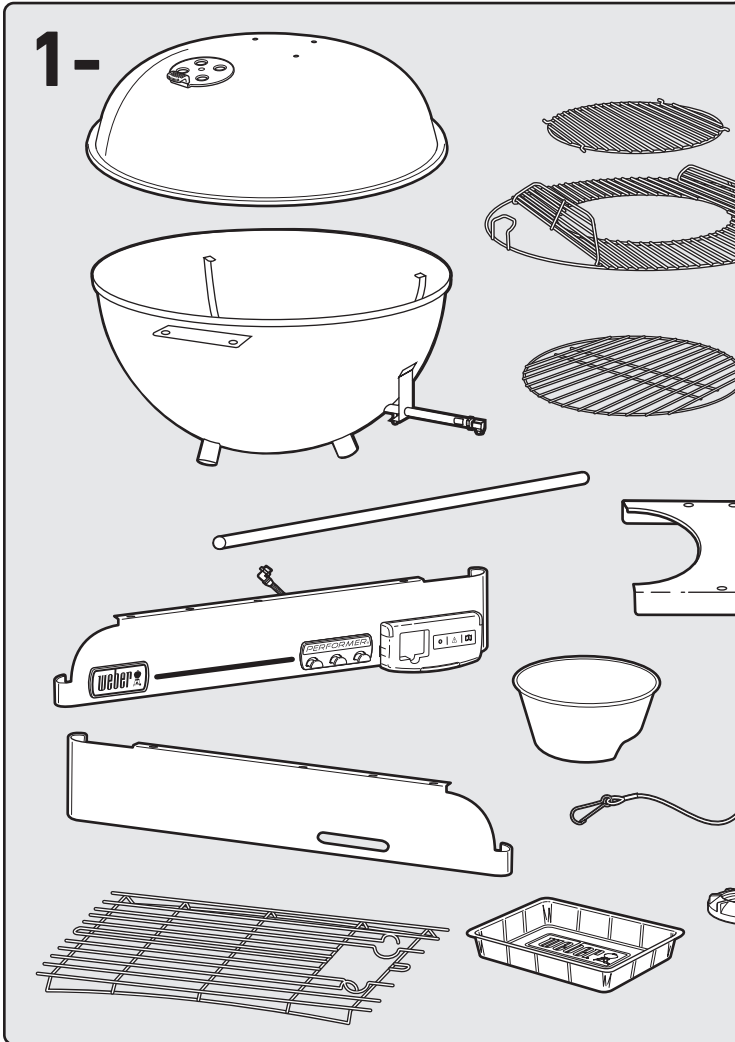
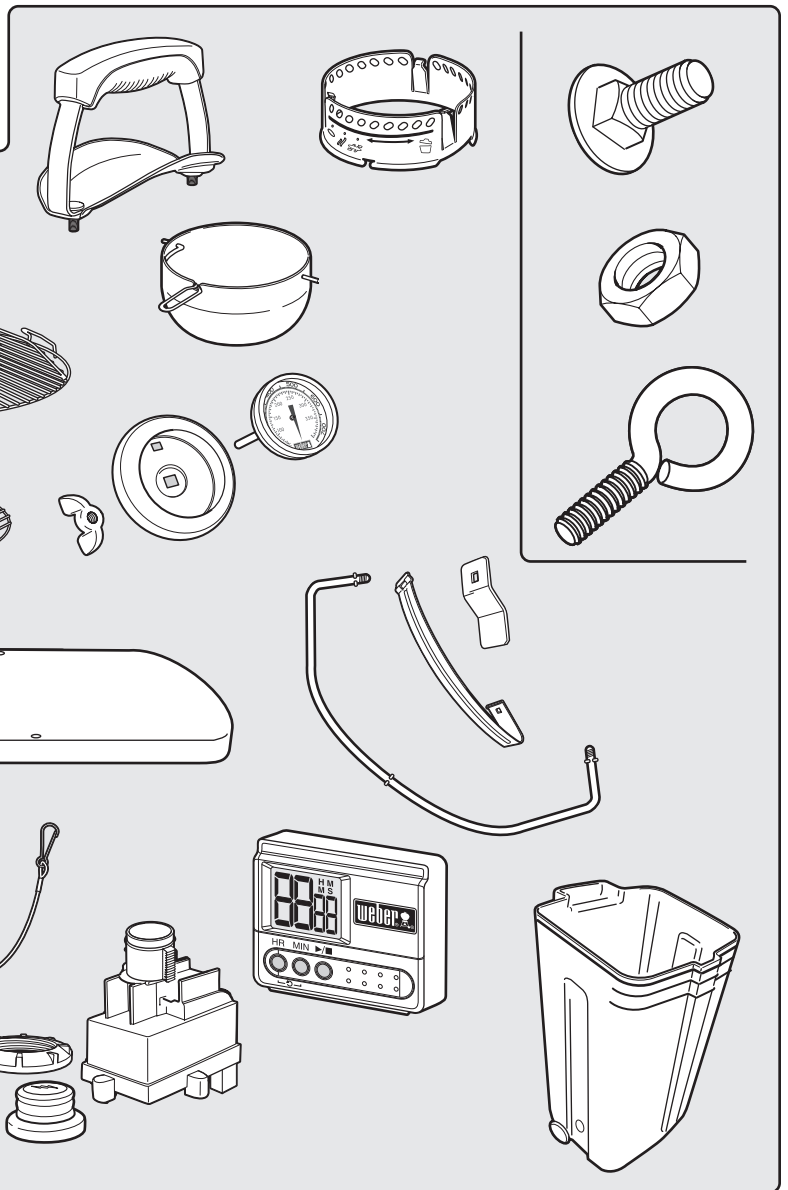
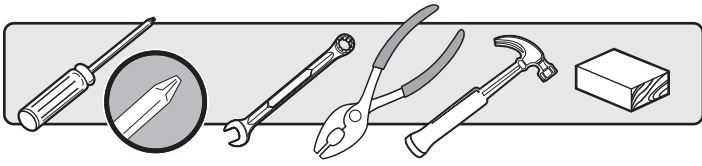
Lighting Burner. Max

Cartridge	kW	g/h
	2.6	192

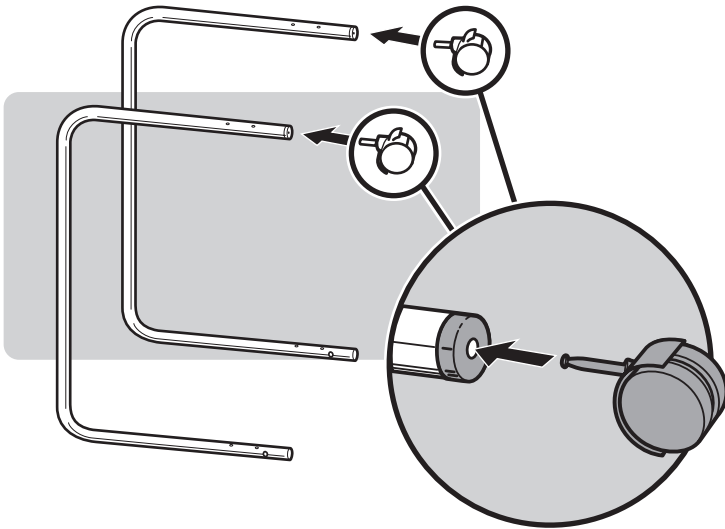


- | | | |
|-----------------------------------------------------|-----------------------------------|------------------------------------------|
| 1. Lid Handle Assembly | 15. Wheel | 29. CHARBIN
Retention Chain |
| 2. Lid | 16. Hub Cap | 30. Burner Assembly |
| 3. GBS Cooking Grate | 17. Wheel Cover | 31. Hose & Regulator with Orifice & Clip |
| 4. CHAR-BASKETS | 18. Matchstick Holder | 32. Rear Panel |
| 5. Charcoal Grate | 19. Front Panel | 33. Leg Frame |
| 6. ONE-TOUCH
Cleaning System | 20. Logo Plate | 34. CHARBIN Fittings |
| 7. TUCK-AWAY Lid Holder &
Lower Support Assembly | 21. Tool Holder | 35. CHARBIN |
| 8. Ash Catcher Ring | 22. Digital Cook Timer | 36. Locking Castor |
| 9. Ash Catcher Handle | 23. Gas Control Cover | 37. Castor Insert |
| 10. High Capacity Ash Catcher | 24. Igniter Button/Igniter Module | 38. Leg Frame
Bracket Clamp |
| 11. Axle | 25. Lid Damper Assembly | 39. Bottom Rack |
| 12. Leg Frame Bracket | 26. Thermometer Assembly | 40. Charcoal Cup |
| 13. Wheel Spacer | 27. Bowl | 41. Disposable Drip Pan |
| 14. Igniter Wire Stay | 28. Table | |

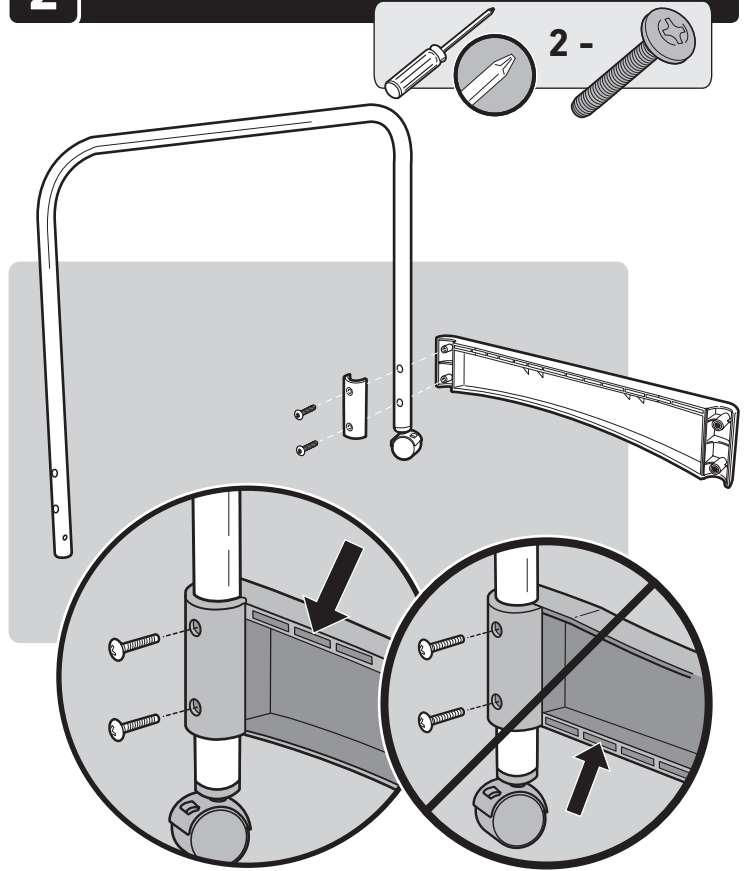
PARTS LIST • LISTE DES PIÈCES • TEILLISTE



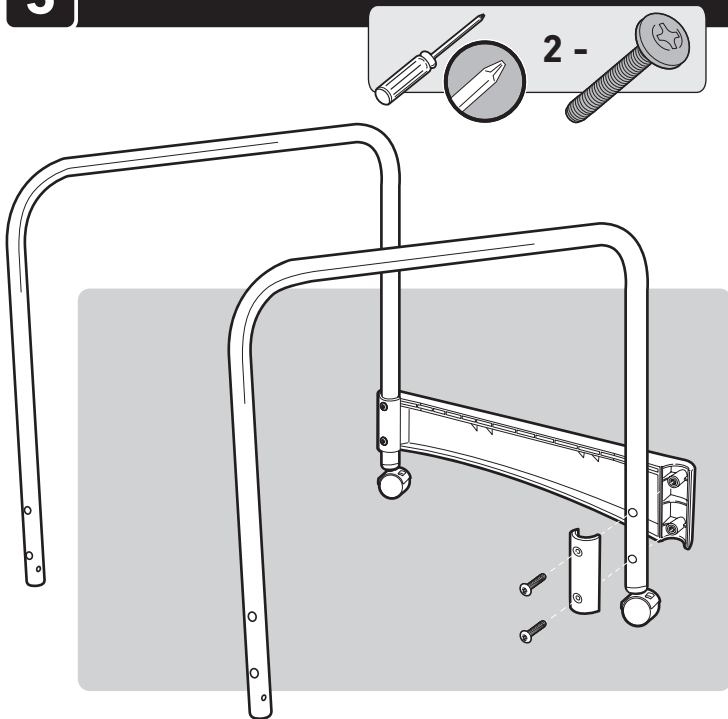
1



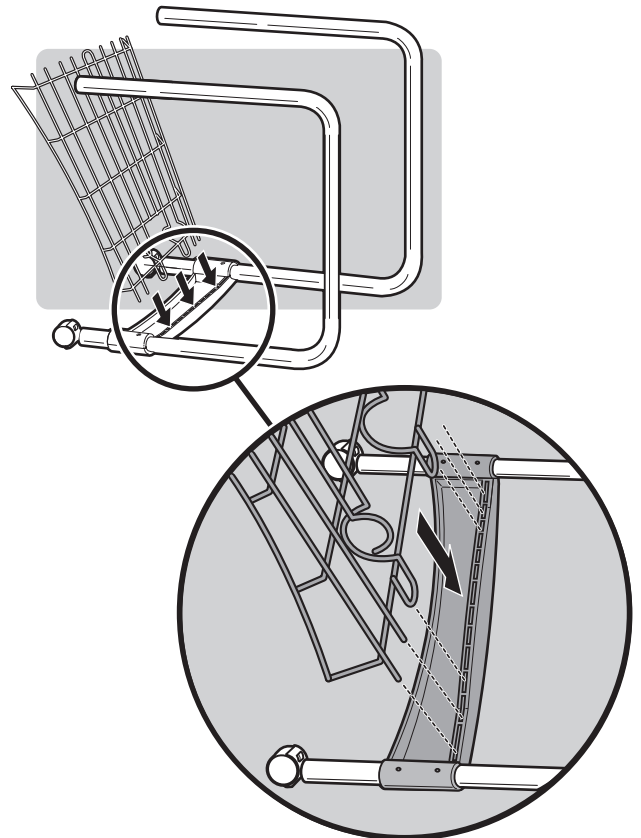
2



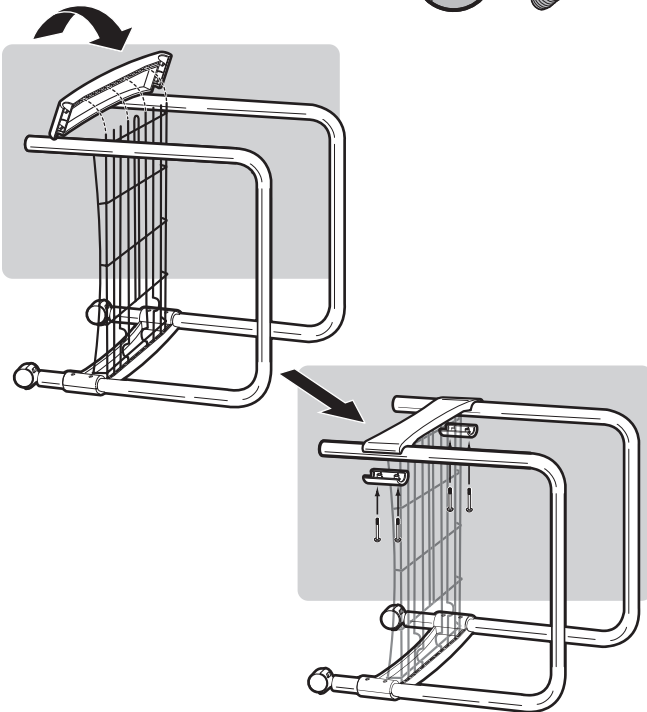
3



4



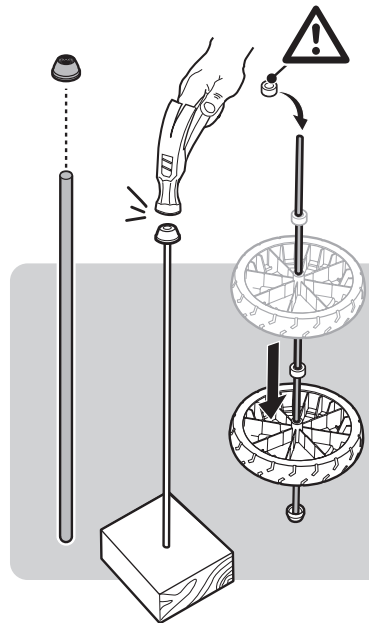
5



6



EN **IMPORTANT:** Be sure to insert wheel spacer before continuing.



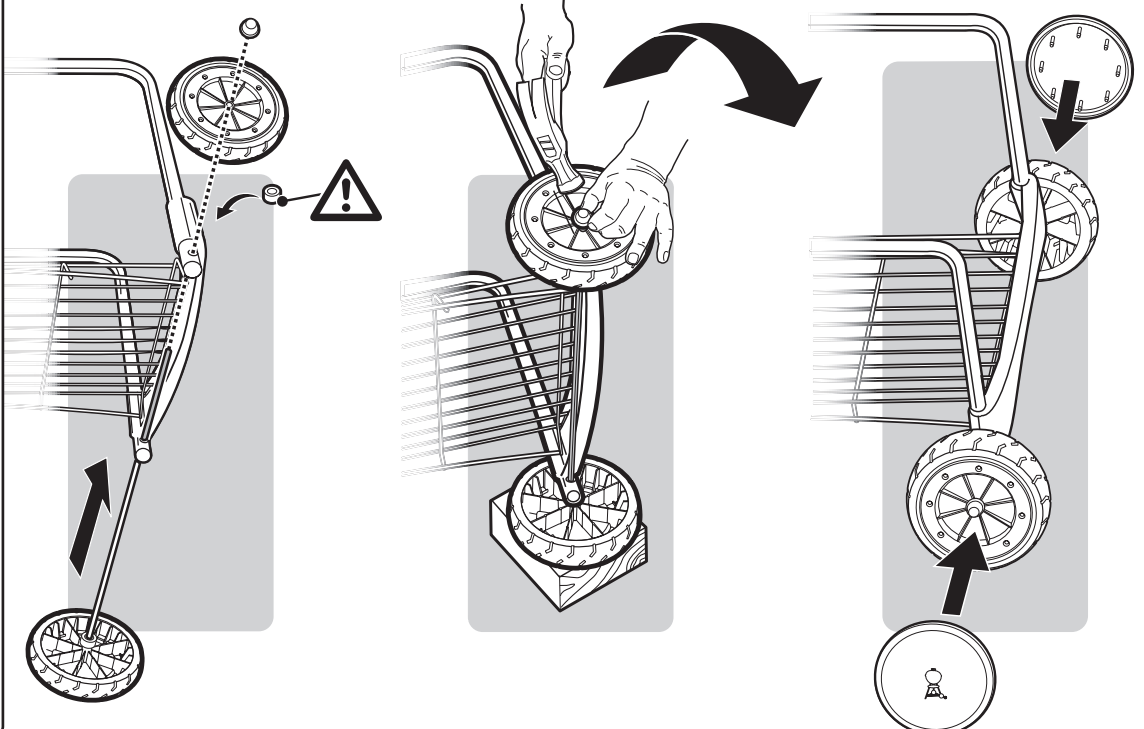
- FI** **△ TÄRKEÄÄ:** Varmista, että pyöränlevnys on paikallaan, ennen kuin jatkat.
- FR** **△ IMPORTANT :** Veillez à insérer l'entretoise de roue avant de continuer.
- IT** **△ IMPORTANTE:** Prima di continuare, accertarsi di aver inserito lo spaziatore della ruota.
- NO** **△ VIKTIG:** Sørg for å sette inn avstandsstykket før du fortsetter.
- DA** **△ VIGTIGT:** Sørg for at indsætte afstandsstykket til hjulet, inden du fortsætter.
- ES** **△ IMPORTANTE:** Asegúrese de que inserta el espaciador de la rueda antes de continuar.
- SV** **△ VIKTIGT:** Se till att sticka in hjulbrickan innan du fortsätter.
- DE** **△ WICHTIG:** Achten Sie darauf, dass der Distanzring angebracht wurde, bevor Sie fortfahren.
- NL** **△ BELANGRIJK:** Zorg ervoor dat u het afstandstuk voor de wielen plaatst alvorens verder te gaan.
- PT** **△ IMPORTANTE:** Certifique-se de que insere o espaçador de roda antes de prosseguir.
- PL** **△ WAŻNE:** Przed kontynuowaniem upewnij się, że pod kołem umieszczono podkładkę.
- RU** **△ ВАЖНО!** Прежде чем продолжить, убедитесь, что вы установили колесную проставку.

7

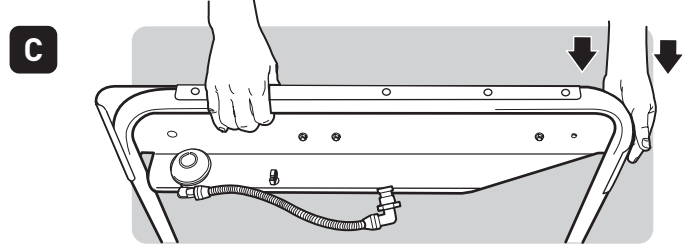
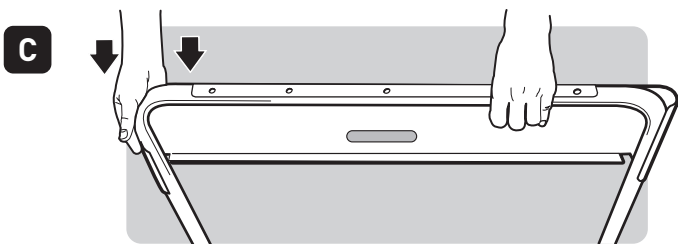
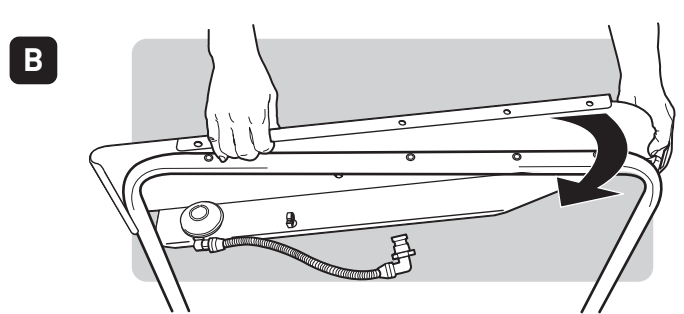
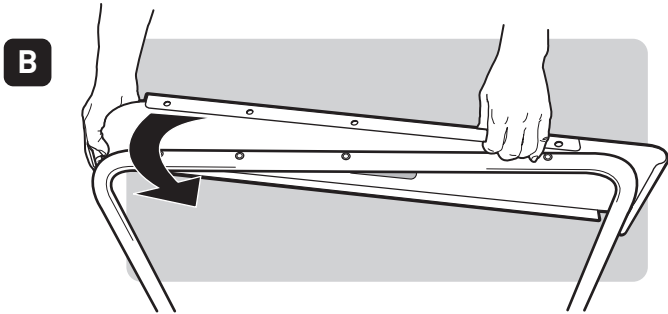
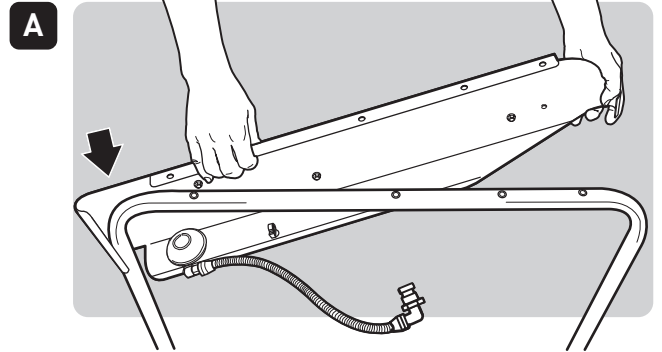
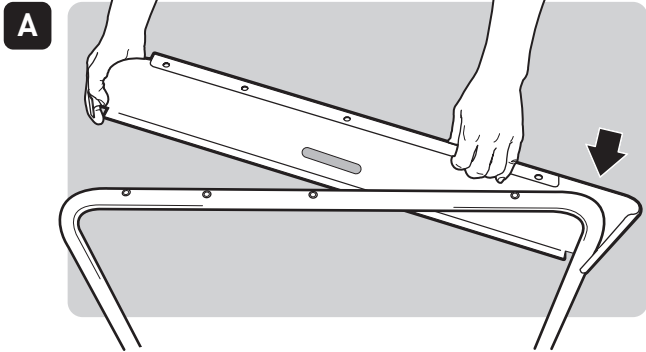
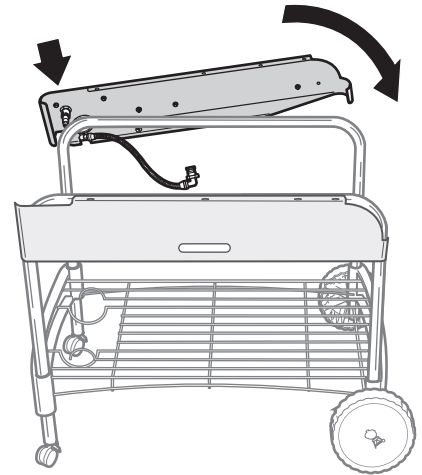
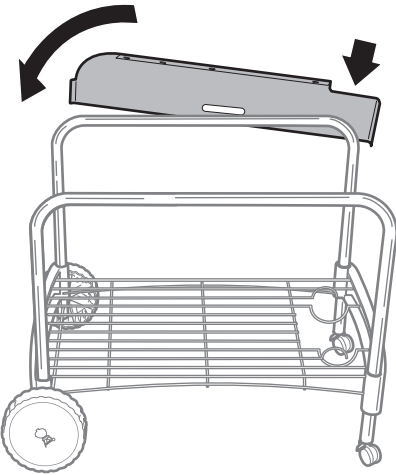
EN **IMPORTANT:** Be sure to insert wheel spacer before continuing.



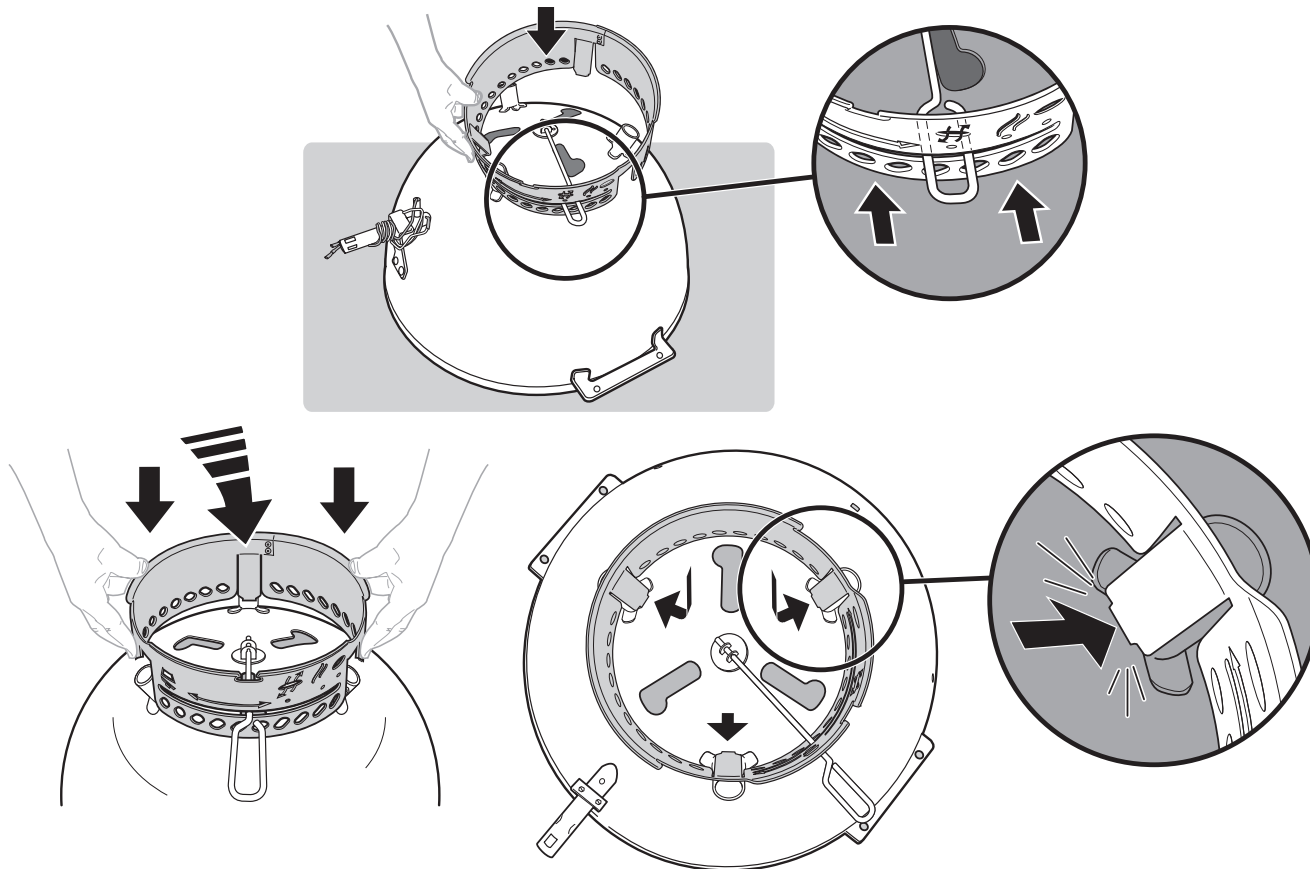
- FI** **△ TÄRKEÄÄ:** Varmista, että pyöränlevnys on paikallaan, ennen kuin jatkat.
- FR** **△ IMPORTANT :** Veillez à insérer l'entretoise de roue avant de continuer.
- IT** **△ TÄRKEÄÄ:** Varmista, että pyöränlevnys on paikallaan, ennen kuin jatkat.
- NO** **△ VIKTIG:** Sørg for å sette inn avstandsstykket før du fortsetter.
- DA** **△ VIGTIGT:** Sørg for at indsætte afstandsstykket til hjulet, inden du fortsætter.
- ES** **△ IMPORTANTE:** Asegúrese de que inserta el espaciador de la rueda antes de continuar.
- SV** **△ VIKTIGT:** Se till att sticka in hjulbrickan innan du fortsätter.
- DE** **△ WICHTIG:** Achten Sie darauf, dass der Distanzring angebracht wurde, bevor Sie fortfahren.
- NL** **△ BELANGRIJK:** Zorg ervoor dat u het afstandstuk voor de wielen plaatst alvorens verder te gaan.
- PT** **△ IMPORTANTE:** Certifique-se de que insere o espaçador de roda antes de prosseguir.
- PL** **△ WAŻNE:** Przed kontynuowaniem upewnij się, że pod kołem umieszczono podkładkę.
- RU** **△ ВАЖНО!** Прежде чем продолжить, убедитесь, что вы установили колесную проставку.



8



9



10

FI ⚠ **Kiristä vain sormiukkuudelle.**
Älä kiristä ruuveja täysin ennen kuin sekä pöytä että pohja on asennettu.

FR ⚠ **Serrer à la main uniquement.**
Ne serrer totalement aucune des vis avant que la table et l'ensemble de cuve soient installés.

IT ⚠ **Serrare solo a mano.**
Non stringere completamente nessuna delle viti prima di installare il tavolo e il fornello.

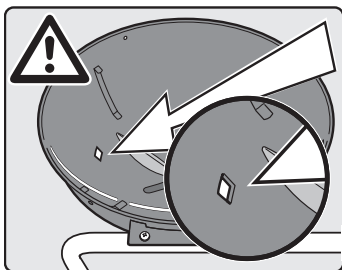
NO ⚠ **Bruk kun fingrene til å stramme skruene.**
Ikke stram noen av skruene helt før både bordet og underdelen er installert.

DA ⚠ **Stram dem kun med fingrene.**
Stram ikke nogen af skrueerne helt før både bordet og skålsamlingen er blevet installeret.

ES ⚠ **Apretar a mano solamente.**
No apretar completamente ninguno de los tornillos hasta no haber instalado la mesa y el conjunto de la cuba.

SV ⚠ **Dra endast åt med fingrarna.**
Dra inte åt någon av skruvarna innan både bordet och skålen har installerats.

DE ⚠ **Nur mit der Hand festziehen.**
Ziehen Sie keine Schraube vollständig fest, bevor sowohl der Tisch als auch die Schale montiert wurde.



NL ⚠ **Uitsluitend vingervast aandraaien.**

Draai de schroeven niet volledig vast voordat zowel de tafel als de keteleenheid geïnstalleerd zijn.

PT ⚠ **Aperte apenas com os dedos.**

Não aperte completamente nenhum dos parafusos antes de a mesa e a cuba estarem instaladas.

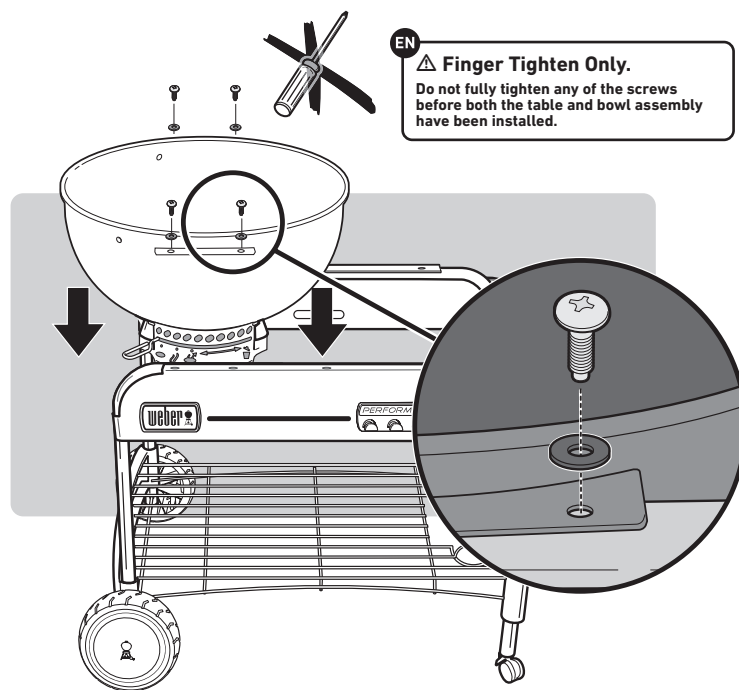
PL ⚠ **Dokręcić ręcznie.**

Nie dokręcać całkowicie żadnej śruby, jeśli nie zamontowano jeszcze zespołu stołu i miski.

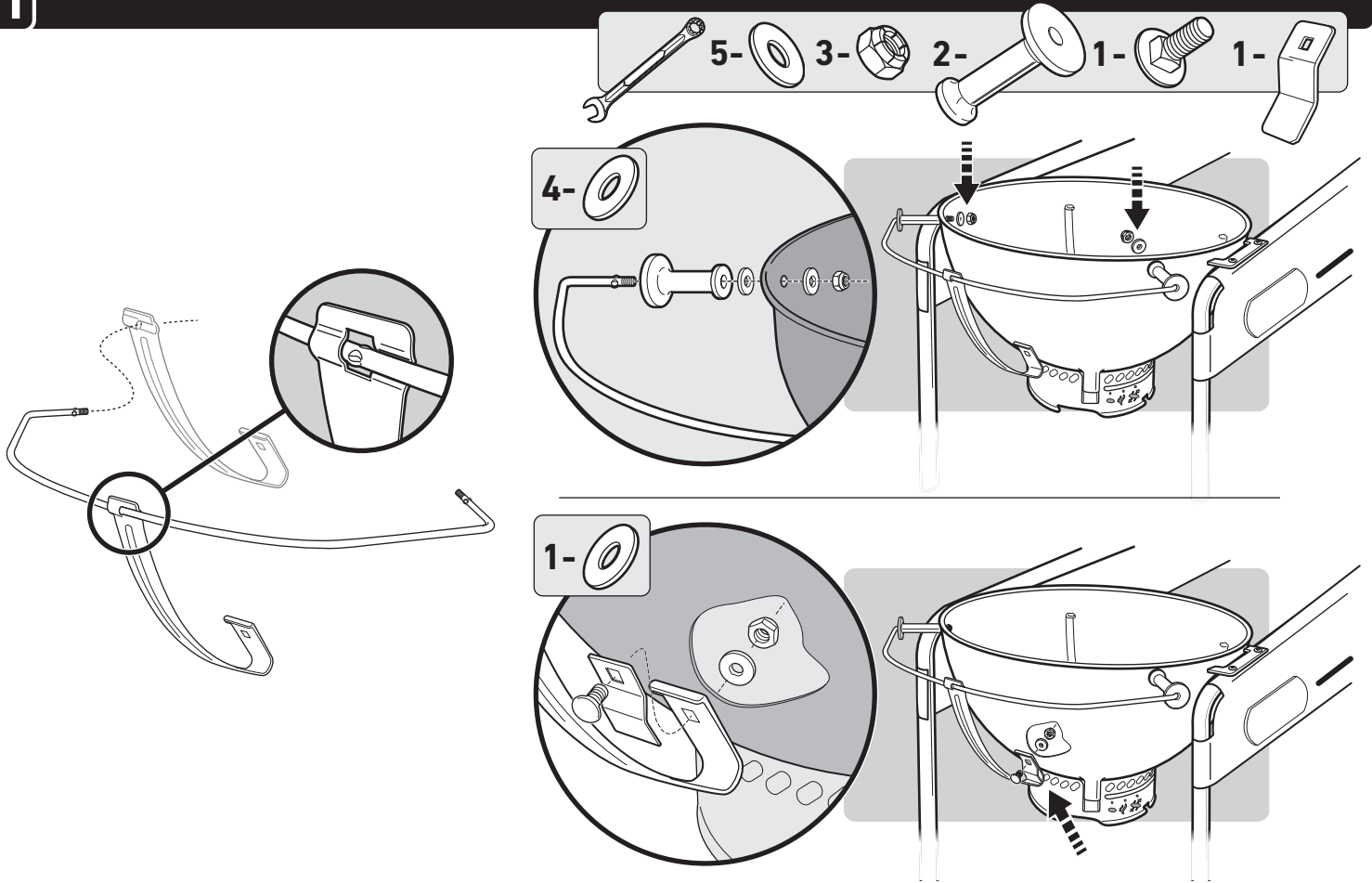
RU ⚠ **Затягивать только от руки.**
Не затягивайте до упора ни один из винтов до установки сборки стола и чаши.



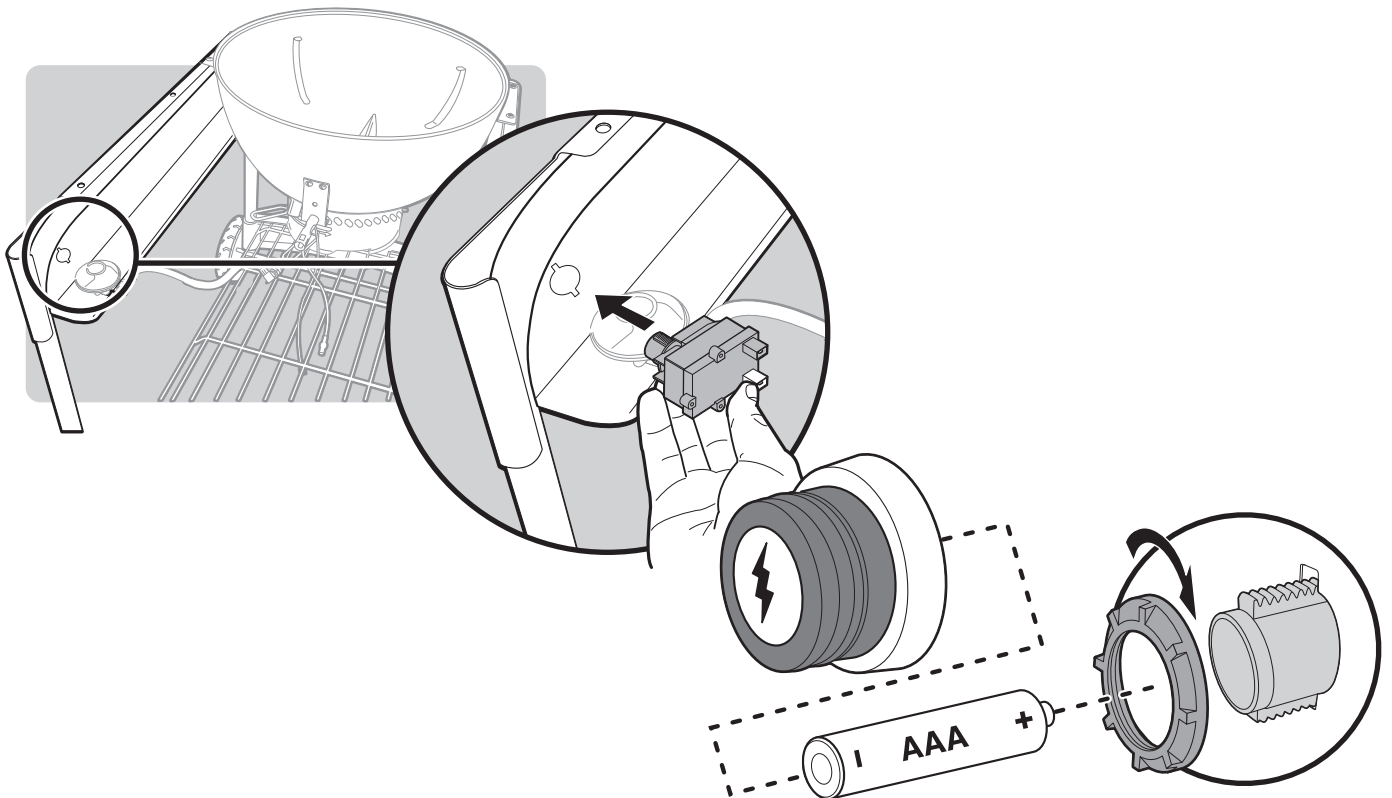
EN ⚠ **Finger Tighten Only.**
Do not fully tighten any of the screws before both the table and bowl assembly have been installed.



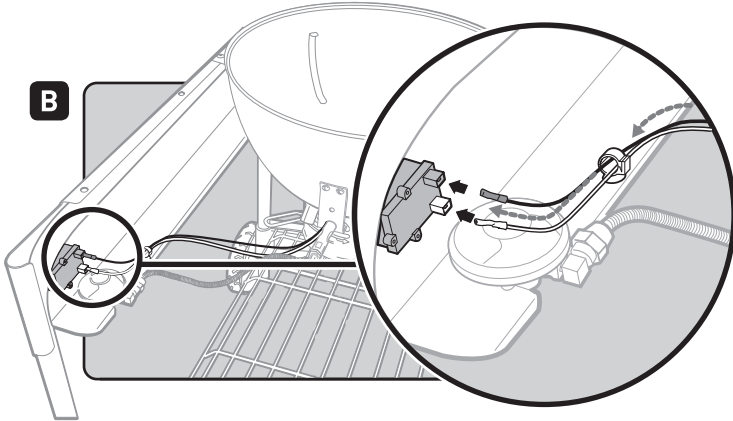
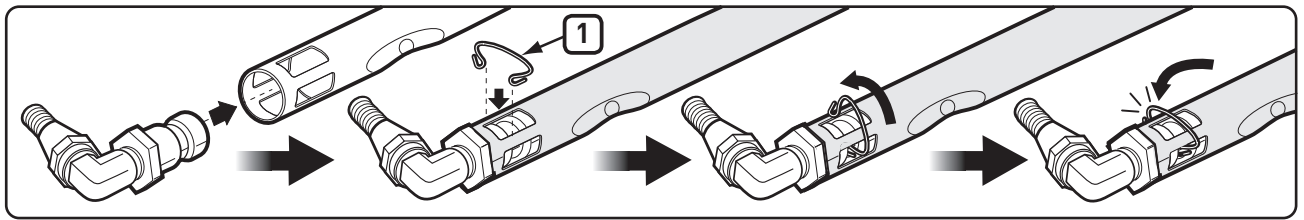
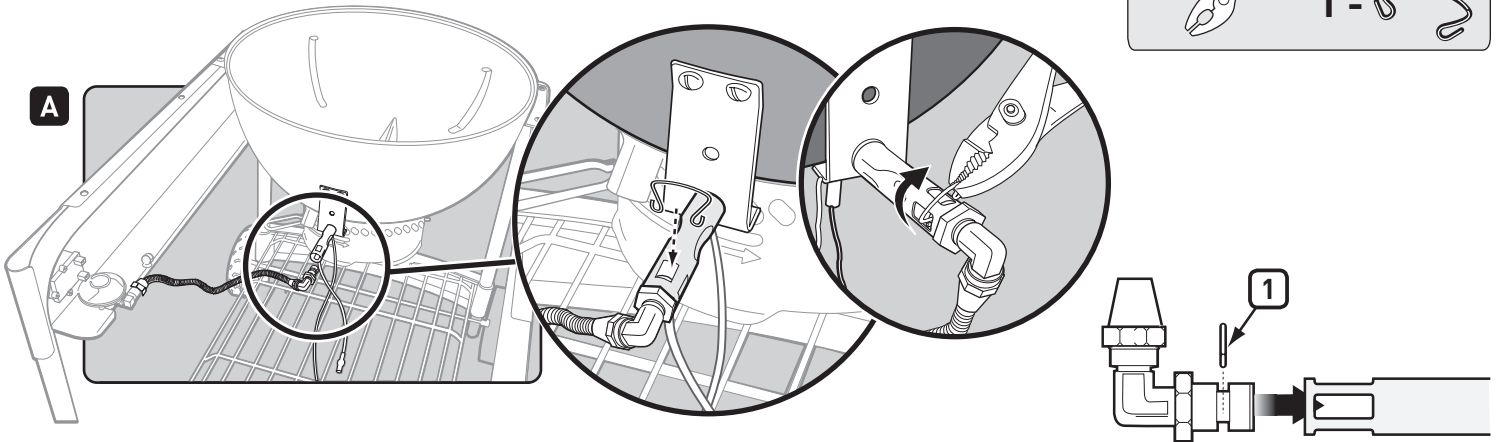
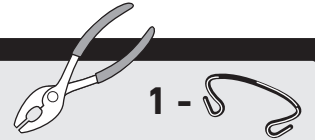
11



12



13



EN

⚠ WARNING

Prior to use, pull the gas hose and orifice to make sure that the retaining clip is in place and that the gas hose and orifice is securely attached inside the burner tube.

A missing retaining clip can cause the gas hose and orifice to move out of the burner tube. This can cause a fire resulting in serious bodily injury or death and damage to property.

⚠ DANGER

Do not use the gas ignition feature if the retaining clip (1) securing the gas line and orifice into the burner tube is missing. A missing retaining clip can cause the gas hose and orifice to move out of the burner tube. This can cause a fire resulting in serious bodily injury or death and damage to property.

FI

⚠ VAROITUS

Ennen käyttöä vedä kaasuletkusta ja kaasusuuttimesta sen varmistamiseksi, että lukkorengas on paikallaan ja että kaasuletku ja suutin ovat kunnolla kiinni polttinputken sisällä. Puuttuva lukkorengas voi aiheuttaa sen, että kaasuletku ja suutin siirtyvät polttinputkesta ulos. Tämän seurauksena voi olla tulipalo, joka voi aiheuttaa vakavia vammoja tai kuoleman sekä omaisuusvahingon.

⚠ VAARA

Älä käytä kaasusytytystoimintoa, jos kaasusuuttimen polttimeen ja kaasulinjaan kiinnittävä lukkorengas (1) puuttuu.

Puuttuva lukkorengas voi aiheuttaa sen, että kaasuletku ja suutin siirtyvät polttinputkesta ulos. Tämän seurauksena voi olla tulipalo, joka voi aiheuttaa vakavia vammoja tai kuoleman sekä omaisuusvahingon.

FR

⚠ AVERTISSEMENT

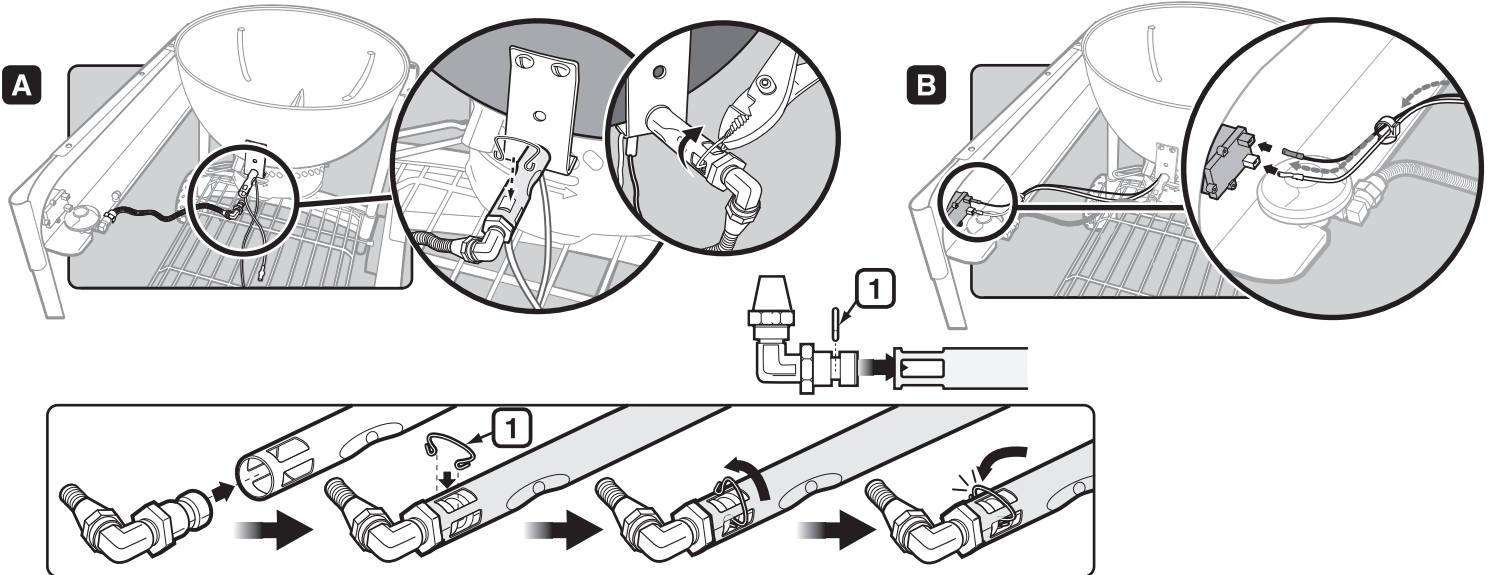
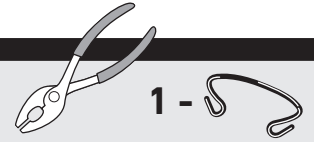
Avant l'utilisation, tirez sur l'embout et le flexible de gaz pour vous assurer que le clip de retenue est en place et que l'embout et le flexible de gaz sont correctement fixés à l'intérieur du brûleur. L'absence de clip de retenue peut entraîner le détachement de l'embout et du flexible de gaz hors du brûleur. Ce qui pourrait générer un incendie, et partant des lésions graves ou mortelles ainsi que des dommages matériels.

⚠ DANGER

N'utilisez pas l'allumeur à gaz si le clip de retenue (1) verrouillant l'embout et le flexible de gaz au brûleur n'est pas présent.

L'absence de clip de retenue peut entraîner le détachement de l'embout et du flexible de gaz hors du brûleur. Ce qui pourrait générer un incendie, et partant des lésions graves ou mortelles ainsi que des dommages matériels.

13



IT **⚠ AVVERTENZA**

Prima dell'uso, estrarre il raccordo e il tubo del gas per assicurarsi che il fermo sia in posizione e che il raccordo e il tubo del gas siano collegati correttamente all'interno del bruciatore. La mancanza del fermo può provocare il distacco del raccordo e del tubo del gas dal bruciatore. Ciò può provocare un incendio, con conseguenti lesioni personali gravi o mortali e danni alle cose.

⚠ PERICOLO

Non utilizzare il sistema di accensione se manca il fermo (1) che blocca il tubo e il raccordo del gas nel bruciatore. La mancanza del fermo può provocare il distacco del raccordo e del tubo del gas dal bruciatore. Ciò può provocare un incendio, con conseguenti lesioni personali gravi o mortali e danni alle cose.

NO **⚠ ADVARSEL**

Før bruk må du trekke i gasslangen og åpningen for å forsikre deg om at festeklipset sitter på plass og at gasslangen og åpningen er ordentlig festet inne i brennerrøret.

Hvis det mangler festeklips kan det forårsake at gasslangen og åpningen beveger seg ut av brennerrøret. Dette kan forårsake brann og føre til alvorlig personskade eller død og skade på eiendom.

⚠ FARE

Bruk ikke gassteningen hvis festeklipset (1) som låser gasslangen og åpningen på brennerrøret mangler. Hvis det mangler festeklips kan det forårsake at gasslangen og åpningen beveger seg ut av brennerrøret. Dette kan forårsake brann og føre til alvorlig personskade eller død og skade på eiendom.

DA **⚠ ADVARSEL**

Før brug trækkes i gasslangen og brænderrøret for at sikre, at holderklipsen er på plads og at gasslangen og brænderrøret er sikkert fastgjort til hinanden.

En manglende holderklips kan forårsage, at gasslangen falder ud af brænderrøret. Der kan heraf opstå brand, der kan forårsage alvorlige kvæstelser eller død og materiel skade.

⚠ FARE

Brug ikke gastændingssystemet, hvis systemet mangler holderklipsen (1), der låser gasslangen og hullet til brænderlangen.

En manglende holderklips kan forårsage, at gasslangen falder ud af brænderrøret. Det kan medføre brand, der kan forårsage alvorlige kvæstelser eller død og materiel skade.

ES **⚠ ADVERTENCIA**

Antes de utilizarlo, tire del tubo flexible del gas y del orificio para asegurarse de que la pinza de retención esté en su lugar y que el tubo flexible y el orificio estén bien fijados en el interior del tubo del quemador.

La ausencia de la pinza de retención puede hacer que el tubo flexible del gas y el orificio salgan del interior del tubo del quemador. Se podría producir un incendio que, a su vez, podría provocar daños materiales, graves quemaduras o incluso la muerte.

⚠ PELIGRO

No utilice la función de encendido de gas si falta la pinza de retención (1) que fija la línea del gas y el orificio en el interior del tubo del quemador.

La ausencia de la pinza de retención puede hacer que el tubo flexible del gas y el orificio salgan del interior del tubo del quemador. Se podría producir un incendio que, a su vez, podría provocar daños materiales, graves quemaduras o incluso la muerte.

SV

⚠ VARNING

Dra i gasolslangen och anslutningen före användning för att kontrollera att fästklämman är på plats och att gasolslangen och anslutningen är ordentligt fästa i brännarröret. Om det saknas en fästklämman kan gasolslangen och anslutningen lossna från brännarröret. Det kan leda till eldsvåda som kan resultera i livshotande personskador eller egendomsskador.

⚠ FARA

Använd inte gaständningsfunktionen om fästklämman (1) som säkrar gasoltillförseln och gasmunstycket i brännarröret saknas. Om det saknas en fästklämman kan gasolslangen och anslutningen lossas från brännarröret. Det kan leda till eldsvåda som kan resultera i livshotande personskador eller egendomsskador.

DE

⚠ WARNHINWEIS

Ziehen Sie vor der Benutzung am Gasschlauch und an der Mündungsdüse, um sicherzustellen, dass die Halteklammer ordnungsgemäß befestigt ist und dass Gasschlauch und Mündungsdüse ordnungsgemäß im Brennerrohr befestigt sind. Bei fehlender Halteklammer können Gasschlauch und Mündungsdüse aus dem Brennerrohr gleiten. Dadurch kann es zu einem Brand mit schweren oder gar tödlichen Verletzungen und Sachschäden als Folge kommen.

⚠ GEFAHRENHINWEIS

Benutzen Sie nicht den Gaszünder, wenn die Halteklammer (1) zur Sicherung der Mündungsdüse im Brennerrohr fehlt. Bei fehlender Halteklammer können Gasschlauch und Mündungsdüse aus dem Brennerrohr gleiten. Dadurch kann es zu einem Brand mit schweren oder gar tödlichen Verletzungen und Sachschäden als Folge kommen.

NL

⚠ WAARSCHUWING

Trek vóór gebruik aan de gaslang en -opening om er zeker van te zijn dat de bevestigingsklem aanwezig is en dat de gaslang en -opening stevig bevestigd zijn in de branderslang. Een ontbrekende bevestigingsklem kan ervoor zorgen dat de gaslang en -opening loskomen uit de branderslang. Dit kan brand veroorzaken en daarmee ernstig lichamelijke letsel of de dood en schade aan eigendommen.

⚠ GEVAAR

Gebruik het gasontstekingsmechanisme niet als de bevestigingsklem (1) ontbreekt die de gaslang en -opening in de branderslang vergrendelt. Een ontbrekende bevestigingsklem kan ervoor zorgen dat de gaslang en -opening loskomen uit de branderslang. Dit kan brand veroorzaken en daarmee ernstig lichamelijke letsel of de dood, en schade aan eigendommen.

PT

⚠ AVISO

Antes de utilizar, puxe o tubo do gás e o orifício para se certificar de que o grampo de fixação está colocado e de que o tubo do gás e orifício estão bem presos dentro do tubo do queimador. Um grampo em falta pode fazer com que o tubo do gás e o orifício saiam para fora do tubo do queimador. Tal pode provocar um incêndio, resultando em ferimentos graves ou morte, e danos materiais.

⚠ PERIGO

Não utilize a função de ignição do gás caso o grampo de fixação (1) que fixa o tubo do gás e o orifício ao tubo do queimador não esteja presente. Um grampo em falta pode fazer com que o tubo do gás e o orifício saiam para fora do tubo do queimador. Tal pode provocar um incêndio, resultando em ferimentos graves ou morte, e danos materiais.

PL

⚠ OSTRZEŻENIE

Przed użyciem, pociągnąć za przewód i dyszę gazową, aby upewnić się, że zacisk ustalający znajduje się na miejscu i, że przewód i dysza są prawidłowo przymocowane wewnątrz rury palnika. Brak zacisku ustalającego może przyczynić się do wyciągnięcia przewodu i dyszy z rury palnika. Może to doprowadzić do pożaru, poważnych obrażeń ciała, śmierci oraz uszkodzenia mienia.

⚠ NIEBEZPIECZEŃSTWO

W przypadku braku zacisku ustalającego (1) mocującego przewód i dyszę gazową w rurze palnika, nie należy korzystać z funkcji zapalania gazem. Brak zacisku ustalającego może przyczynić się do wyciągnięcia przewodu i dyszy z rury palnika. Może to doprowadzić do pożaru, poważnych obrażeń ciała, śmierci oraz uszkodzenia mienia.

RU

⚠ ПРЕДУПРЕЖДЕНИЕ

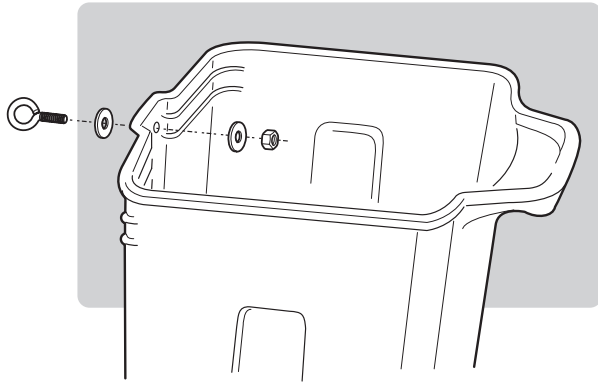
Перед использованием, потяните за газовый шланг и насадку, чтобы убедиться, что фиксирующий зажим работает и что газовый шланг и насадка надежно закреплены в трубке горелки.

Отсутствие фиксирующего зажима может привести к тому, что газовый шланг и насадка отсоединятся от трубки горелки. Это может вызвать пожар и, как результат - серьезные телесные повреждения или смерть, а также материальный ущерб.

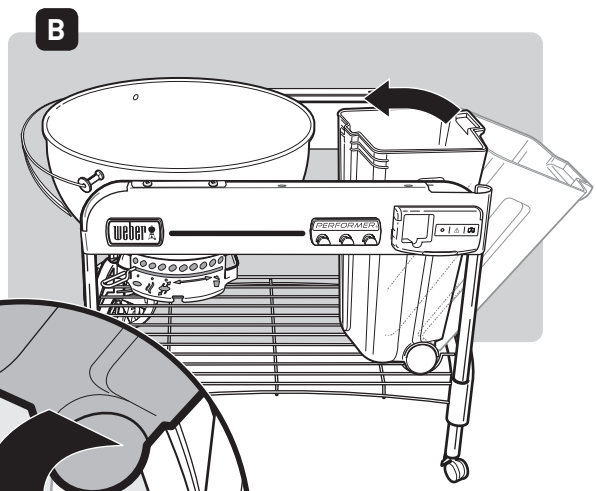
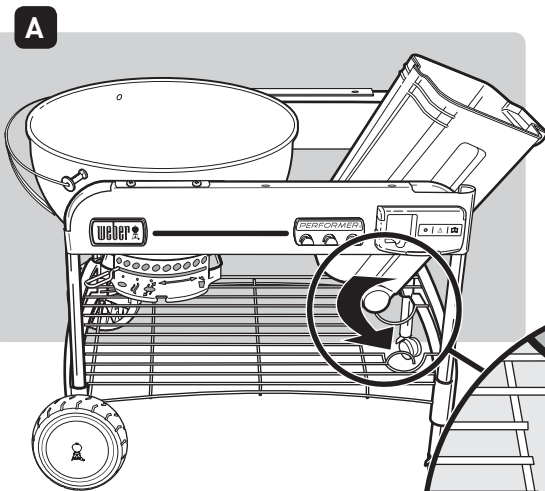
⚠ ОПАСНО

Не пользуйтесь газовым запалом, если отсутствует фиксирующий зажим (1), крепящий газопровод и насадку в трубке горелки. Отсутствие фиксирующего зажима может привести к тому, что газовый шланг и насадка отсоединятся от трубки горелки. Это может вызвать пожар и, как результат - серьезные телесные повреждения или смерть, а также материальный ущерб.

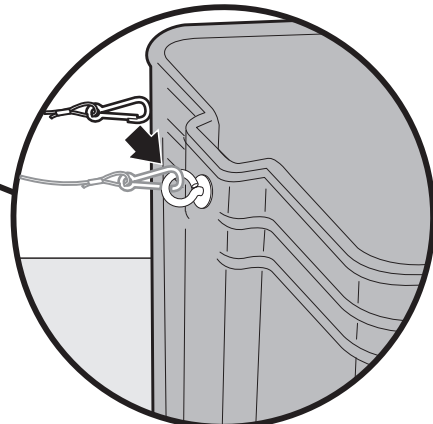
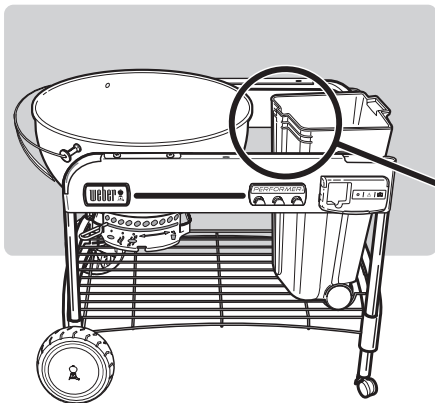
14



15

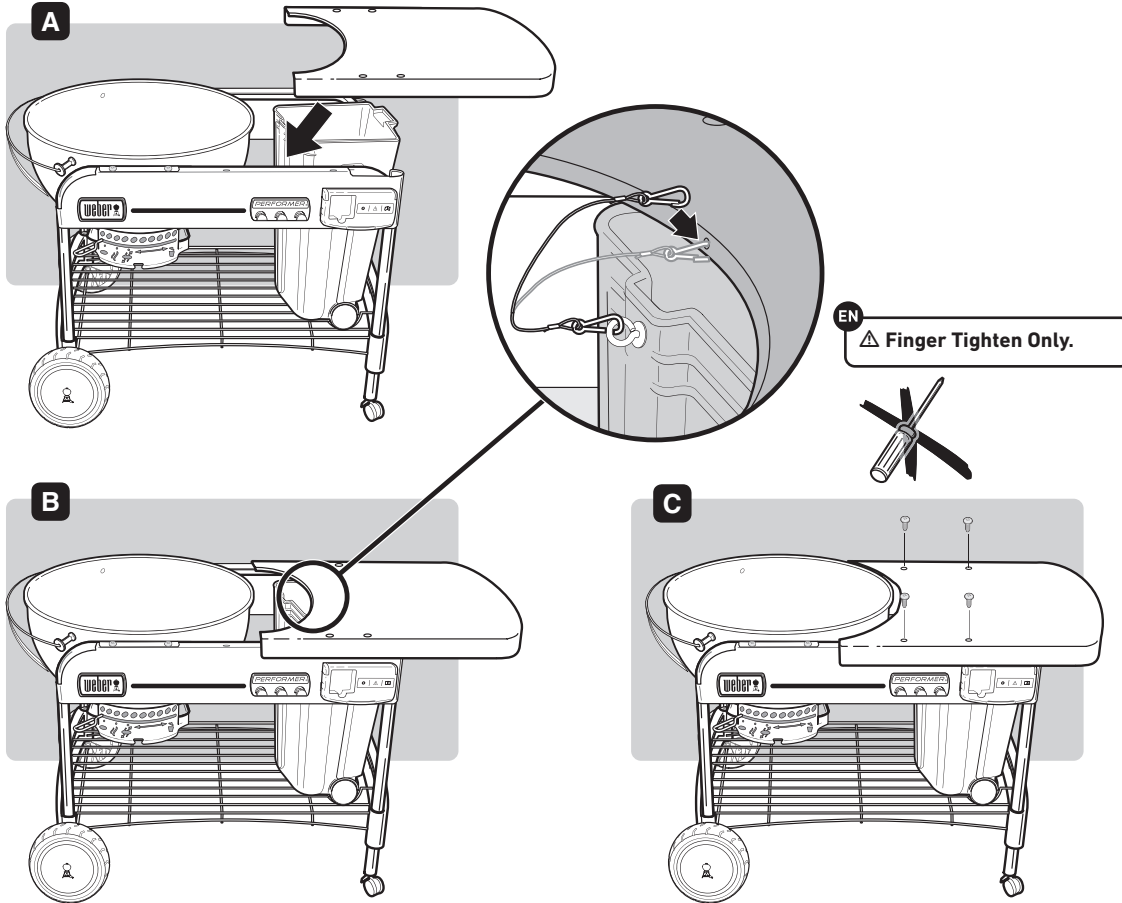


16



17

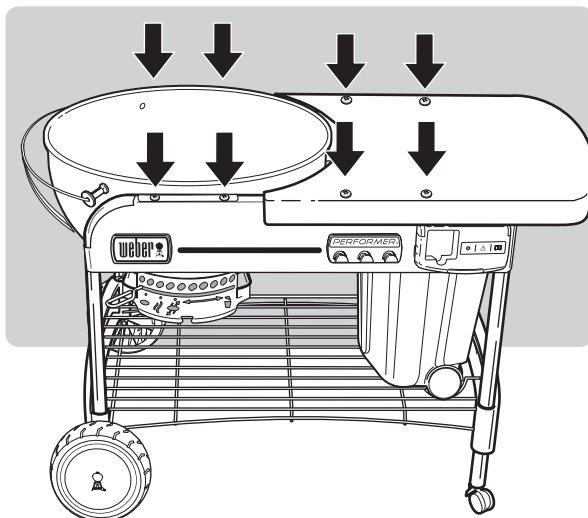
4 -



- FI ⚠ Kiristä vain sormitiukkuudelle.
- FR ⚠ Serrer à la main uniquement.
- IT ⚠ Serrare solo a mano.
- NO ⚠ Bruk kun fingrene til å stramme skruene.
- DA ⚠ Stram dem kun med fingrene.
- ES ⚠ Apretar a mano solamente.
- SV ⚠ Dra endast åt med fingrarna.
- DE ⚠ Nur mit der Hand festziehen.
- NL ⚠ Uitsluitend vingervast aandraaien.
- PT ⚠ Aperte apenas com os dedos.
- PL ⚠ Dokręcić ręcznie.
- RU ⚠ Затягивать только от руки.

18

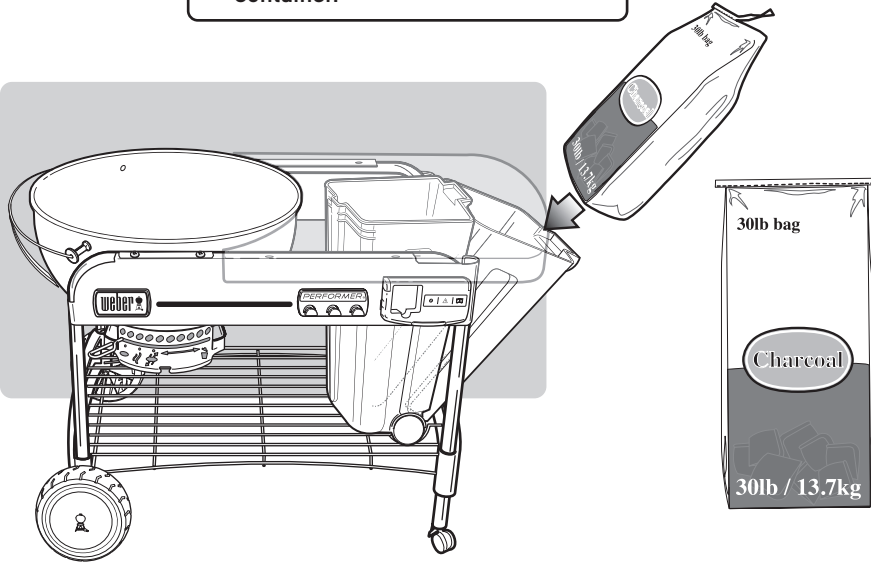
EN Fully tighten all eight screws.



- FI Kiristä kaikki kahdeksan ruuvia tiukasti.
- FR Serrer complètement les huit vis.
- IT Stringere completamente tutte e otto le viti.
- NO Stram alle åtte skruene helt til.
- DA Efterspænd alle otte skruer.
- ES Apretar del todo del ocho tornillos.
- SV Dra åt alla åtta skruvarna ordentligt.
- DE Ziehen Sie alle acht Schrauben vollständig fest.
- NL Draai alle acht schroeven volledig vast.
- PT Aperte completamente os oito parafusos.
- PL Całkowicie dokręcić wszystkie osiem śrub.
- RU Затяните все восемь винтов до упора.

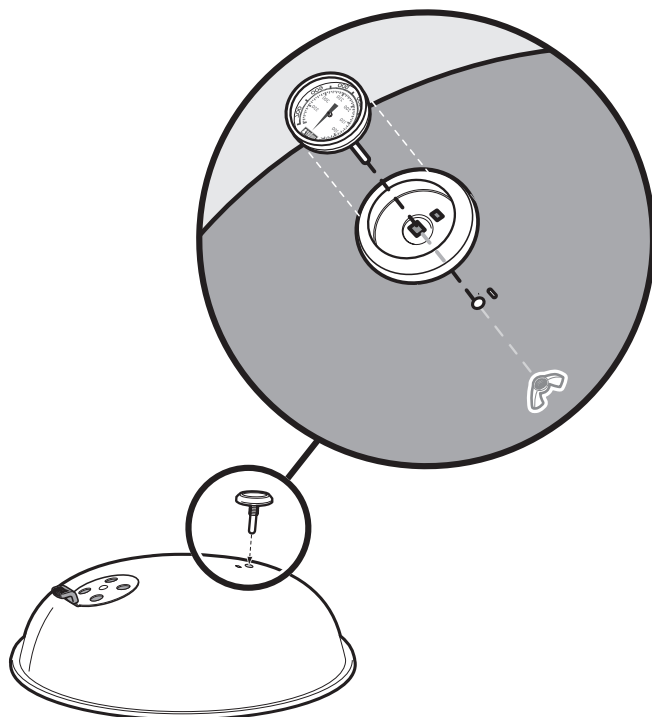
19

EN **△** Maximum 30 lb. / 13.7 kg. bag of charcoal. Bag of charcoal should be placed directly in CHARBIN Storage Container.



- FI** **△** Enintään 13,7 kg pussi grillibrikettejä. Brikettipussi tulee asettaa suoraan CHARBIN-säilytysastiaan.
- FR** **△** Sac de charbon de bois d'un poids maximal de 13,7 kg. Le sac de charbon de bois doit être placé directement dans la cuve de stockage CHARBIN.
- IT** **△** Sacchetto carbone da 13,7 kg max. Posizionare il sacchetto del carbone direttamente nel contenitore antitemperie CHARBIN.
- NO** **△** Maksimum 30 lbs. / 13,7 kg. sekk med briketter. Brikettsekken skal plasseres direkte i CHARBIN oppbevaringsbeholder.
- DA** **△** Maksimalt 30 lbs. / 13,7 kg kulpose. Kulposen skal anbringes direkte i CHARBIN opbevaringsbeholderen.
- ES** **△** Bolsa de carbón vegetal de 30 libras / 13,7 kg como máximo. La bolsa de carbón se debe colocar directamente en el contenedor de almacenamiento CHARBIN.
- SV** **△** Maximalt 13,7 kg förpackning med briketter. Förpackningen med briketter ska placeras direkt i förvaringsutrymmet CHARBIN.
- DE** **△** Holzkohlesack mit max. 13,7 kg Gewicht. Der Holzkohlesack sollte direkt in den CHARBIN-Aufbewahrungsbehälter gegeben werden.
- NL** **△** Zak met briketten van max. 13,7 kg. Zak met briketten moet direct in de CHARBINvoorraadcontainer worden geplaatst.
- PT** **△** Saco de carvão com 13,7 kg, no máximo. O saco de carvão deve ser colocado diretamente no recipiente de armazenamento do CHARBIN.
- PL** **△** Maksymalnie 13,7 kg węgla. Worki z węglem należy wkładać bezpośrednio do pojemnika do przechowywania węgla CHARBIN.
- RU** **△** Максимум 30 фунтов / 13,7 кг мешок древесного угля. Мешок древесного угля должен располагаться прямо в контейнере для хранения CHARBIN.

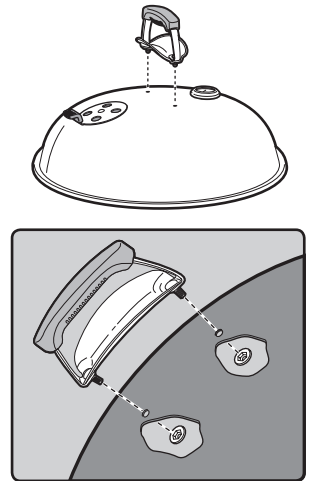
20



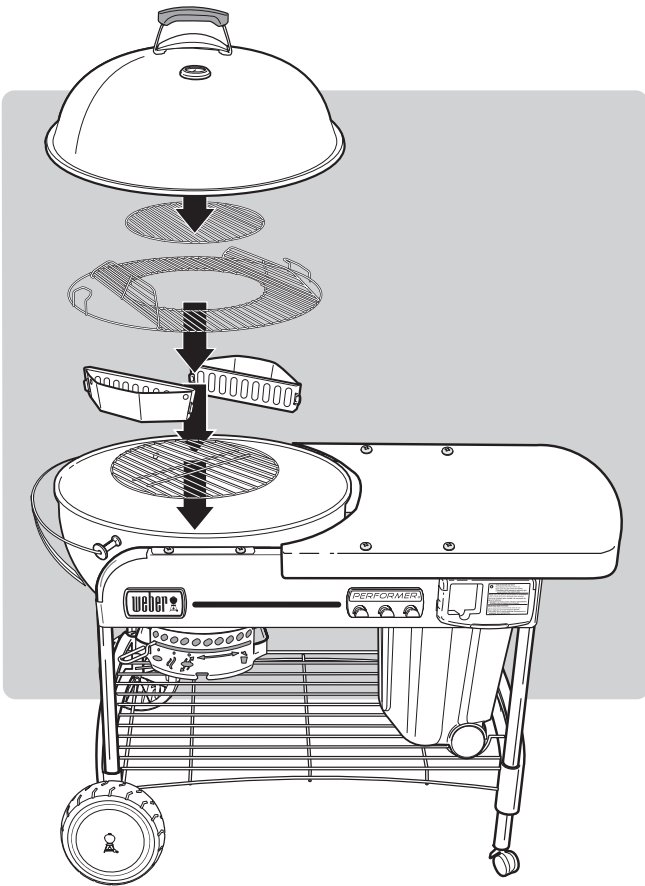
21

EN **DO NOT OVERTIGHTEN**

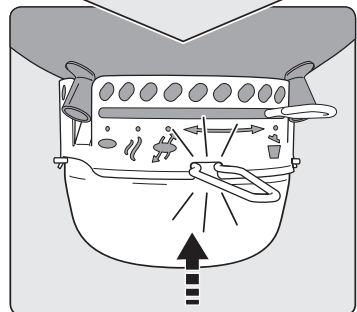
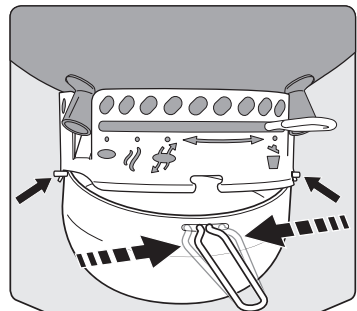
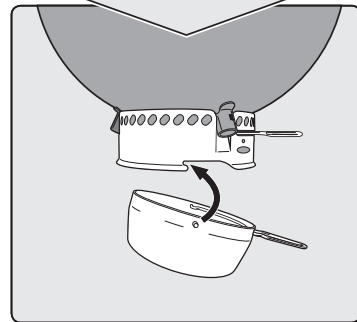
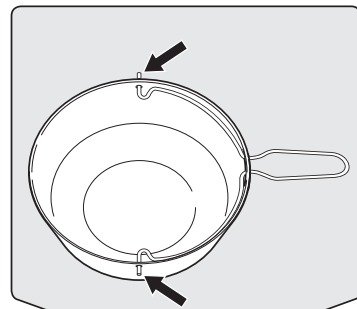
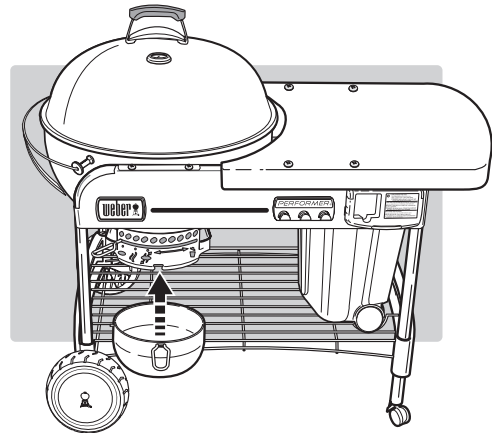
- FI** **△** ÄLÄ KIRISTÄ LIIKAA
- FR** **△** NE PAS TROP SERRER
- IT** **△** NON SERRARE ECCESSIVAMENTE
- NO** **△** MÅ IKKE OVERTREKES
- DA** **△** MÅ IKKE OVERSPÆNDES
- ES** **△** NO APRIETE EN EXCESO
- SV** **△** DRA INTE ÅT FÖR HÅRT
- DE** **△** NICHT ÜBERMÄSSIG FESTZIEHEN
- NL** **△** NIET TE STRAK VASTDRAAIEN
- PT** **△** NÃO APERTE EM DEMASIA
- PL** **△** NIE UŻYWAĆ NADMIERNEJ SIŁY PRZY DOKRĘCANIU
- RU** **△** НЕ ПЕРЕЗАТЯНИТЕ

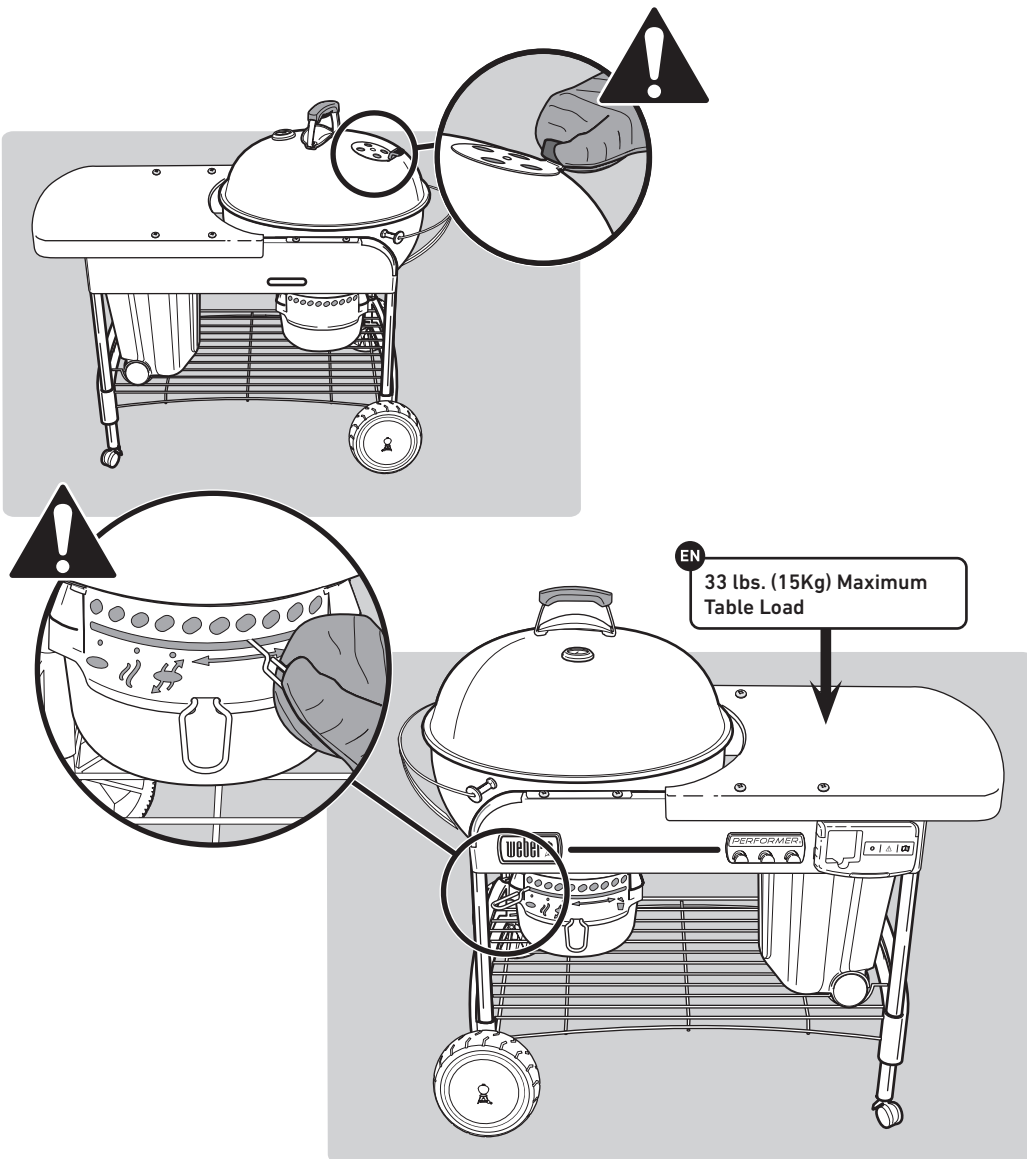
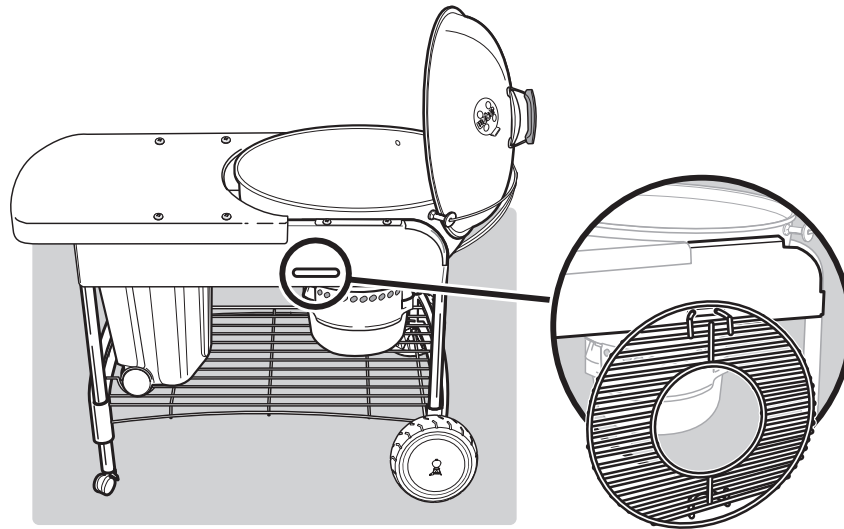


22



23





- FI 9 kg Pöydän Painavin Taakka
- FR Charge Maximale sur le Plan de Travail : 15 kg
- IT 15 Kg Peso Massimo Ripiano
- NO 33 lbs. (15 kg) Maksimum Belastning på Bordet
- DA 15 kg. (33 lbs.) Maksimal Bordbelastning
- ES Carga Máxima en la Tabla: 33 libras (15 kg)
- SV 33 lbs. (15 Kg) Maximal Belastning på Bordet
- DE 15 kg Max. Tischbelastung
- NL 15 kg (33 lbs.) Maximale Belasting Werkblad
- PT 15 Kg de Carga Máxima na Mesa
- PL 33 funty. (15 kg) Maksymalne Obciążenie Blatu
- RU 33 фунта (15кг) максимальная нагрузка стола

If you have questions or need advice regarding your grill or its safe operation, please log onto www.weber.com.

- These instructions will give you the minimum requirements for assembling your WEBER barbecue. Please read the instructions carefully before using your WEBER barbecue. Improper assembly can be dangerous.
- Not for use by children.
- This WEBER barbecue is designed for use with butane gas only. Do not use with natural gas. The valve and regulator are for propane or a propane/butane gas mix only.
- This WEBER gas barbecue is not intended for commercial use.
- The use of alcohol and/or prescription or non-prescription drugs may impair the consumer's ability to properly assemble or safely operate the appliance.

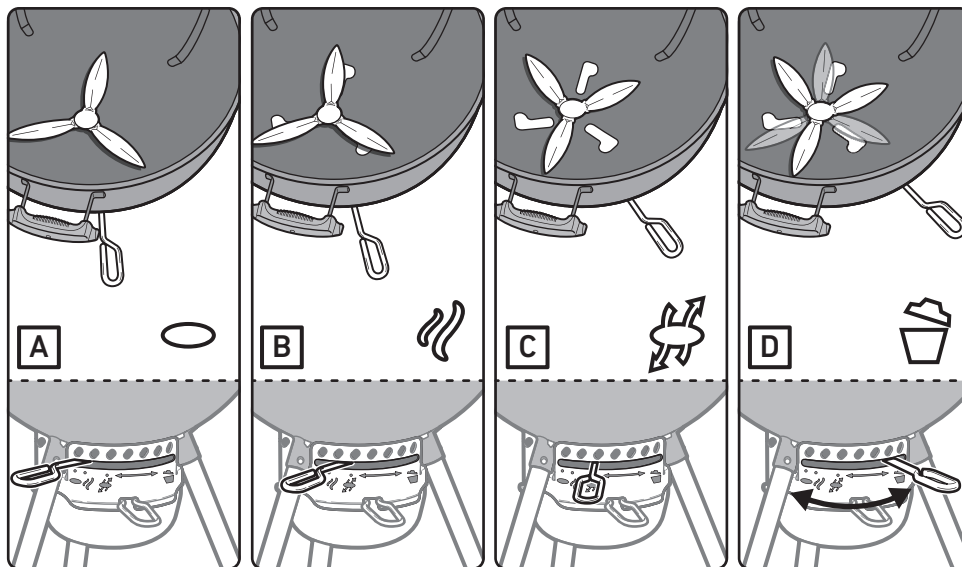
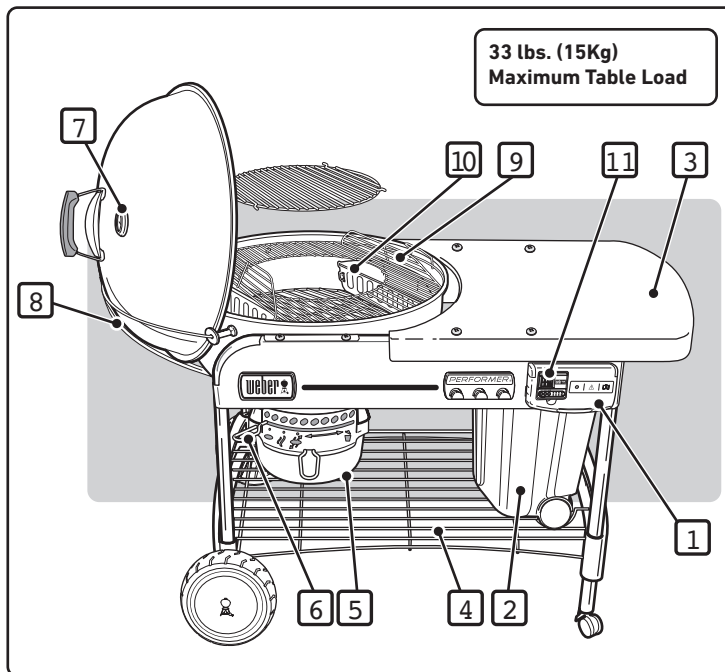
FEATURES

- A) Exclusive TOUCH-N-GO gas ignition system takes the hassle out of lighting charcoal briquettes (1). Simply push and hold the button and the system gas burner ignites, starting the charcoal for you. No dangerous liquid starters to use or store, and no more liquid starter aftertaste.
- B) CHARBIN storage container holds a bag of charcoal with a maximum weight of 13.7 kg (2). The bag of charcoal should be placed directly in the CHARBIN storage container.
- C) Metal work surface serves as a great worktop and covers the CHARBIN storage container to keep briquettes dry (3).
- D) Convenient bottom rack for storage (4).
- E) High-capacity ash catcher locks in place, eliminating blowing ashes (5).
- F) ONE-TOUCH cleaning system easily sweeps out ashes, or opens and closes the vents (6).
- G) Thermometer monitors the cooking temperature inside the grill (7).
- H) TUCK-AWAY lid slides back into the stainless steel lid-holder and acts as a windshield when lighting briquettes (8).
- I) The GOURMET BBQ SYSTEM (GBS) hinged cooking grate (9), hinged access flaps swing open on cooking grate for easy addition of briquettes or wood chips during cooking. Includes insert for everyday use. Fits full line of GOURMET BBQ SYSTEM accessories.
- J) CHAR-BASKET Charcoal Fuel Holders allow convenient indirect and concentrated direct cooking flexibility with wood or charcoal (10).
- K) Digital Cook Timer (11).

- This WEBER barbecue is not intended for and should never be used as a heater.
- Do not leave the WEBER barbecue unattended. Keep children and pets away from the WEBER barbecue at all times.
- Any parts sealed by the manufacturer must not be altered by the user.
- Any modification of the appliance may be dangerous.
- Disconnect the cylinder if: 1) it is empty; 2) the grill is being stored in a garage or other enclosed area; 3) the grill is being transported.

⚠ Do not move the appliance during use. Allow the grill to cool before moving.

⚠ This appliance is not intended for and should never be used as a heater.



EN A - Vents closed B - Low and Slow C - Vents open D - Clear ashes

⚠ WARNING: When using liquid starters always check ash catcher before lighting. Fluid can collect in the ash catcher and could ignite, resulting in a fire below the bowl. Remove any starting fluid from the ash catcher before lighting charcoal.

CONNECTING THE LP DISPOSABLE CARTRIDGE

Use LP disposable cartridges with a minimum capacity of 430g and a maximum capacity of 460g. The cartridge must have an EN417 valve as illustrated. One type of cartridge that can be used is a Primus model 2202 or a WEBER Q Gas disposable cartridge.

⚠ CAUTION: Only use WEBER Q Gas or other EN 417 cartridges marked 80% Butane/20% Propane.

Push LP disposable cartridge into regulator and turn clockwise until tight.

⚠ WARNING: Hand-tighten only. Using excessive force could damage the regulator coupling and could cause a leak or lack of gas flow.

CHECK FOR GAS LEAKS:**⚠ DANGER**

Do not use an open flame to check for gas leaks. Be sure there are no sparks or open flames in the area while you check for leaks. Sparks or flames will result in a fire or explosion, which can cause serious bodily injury or death as well as damage to property.

You will need: LP disposable cartridge, a soap-and-water solution and a rag or brush to apply it.

- Mix the soap and water.
- Turn the gas control to "ON" by turning anti-clockwise.
- Check for leaks by wetting the fitting with the soap-and-water solution and watching for bubbles. If bubbles form, or if a bubble grows, there is a leak.

CHECK:

- Regulator-to-LP disposable cartridge connection.

⚠ WARNING: If there is a leak at connection (1), remove LP disposable cartridge. Do not operate grill. Use a different LP disposable cartridge and recheck for leaks with soap-and-water solution. If a leak persists after retightening the LP cartridge, turn OFF the gas. DO NOT OPERATE THE GRILL. Contact the Customer Service Representative in your area using the contact information on our web site. Log onto www.weber.com.

CHECK:

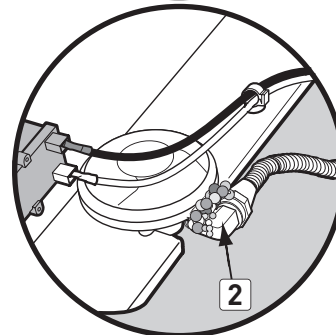
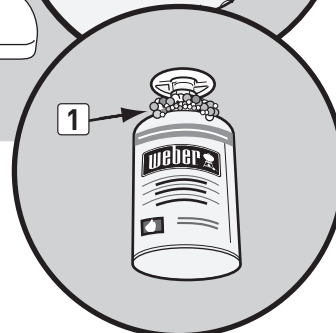
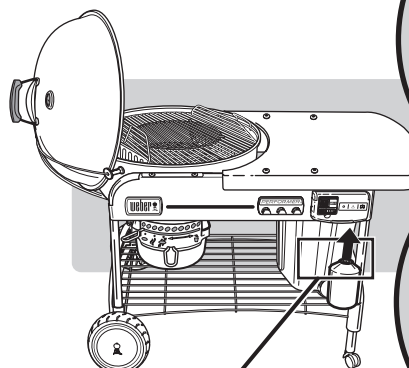
- Valve-to-regulator connection.

⚠ WARNING: If there is a leak at connection (2) turn OFF the gas. DO NOT OPERATE THE GRILL. Contact the Customer Service Representative in your region using the contact information on our web site. Log onto www.weber.com.

When leak checks are complete, turn gas supply OFF at the source and rinse connections with water.

⚠ DANGER

Do not store a spare LP cartridge under or near this appliance.



LIGHTING

⚠ DANGER

Open lid before lighting. Do not use any flammable liquids such as starting fluid, gasoline, alcohol or any form of self-lighting charcoal at any time, including when manually lighting. Failure to do so will cause serious bodily injury or death.

A) Remove grill lid before operating gas feature.

⚠ DANGER: Failure to do so can cause a gas build-up that can cause a fire or explosion which can cause serious bodily injury or death, or damage to property.

B) Open bottom bowl dampers (1).

C) Position CHAR-BASKETS over burner (2).

D) Push in tabs on gas control cover (3) and lift to open.

E) Turn gas supply on (counter-clockwise) at least one full turn (4).

⚠ WARNING: Do not lean over open barbecue while lighting.

F) Push and hold igniter button until burner ignites (5).

⚠ CAUTION: Flame may be hard to see on a bright day.

G) After charcoal has ignited (approximately 5 minutes), turn gas control knob OFF (clockwise) until it is closed.

⚠ CAUTION: Ensure cover is closed completely.

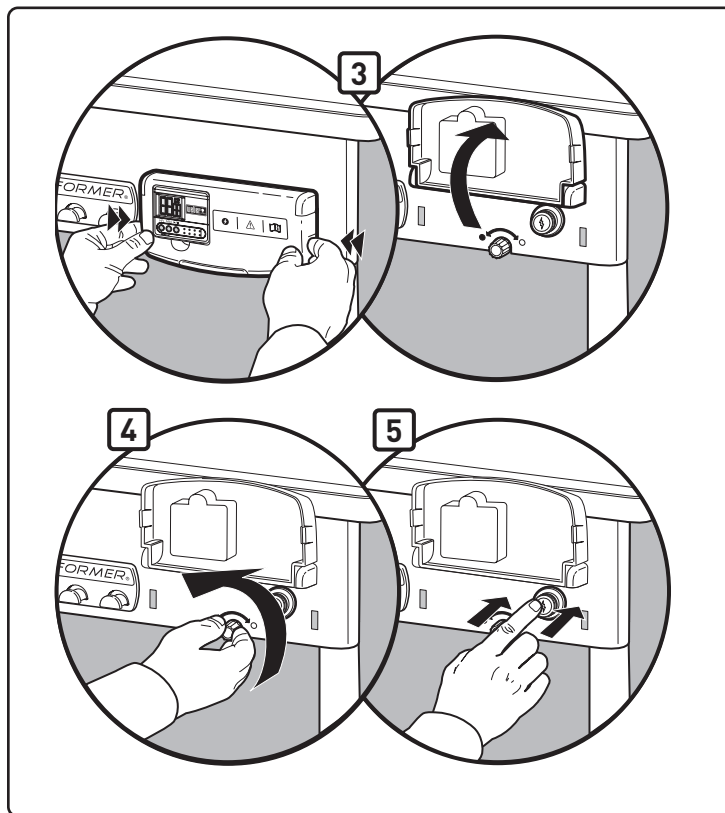
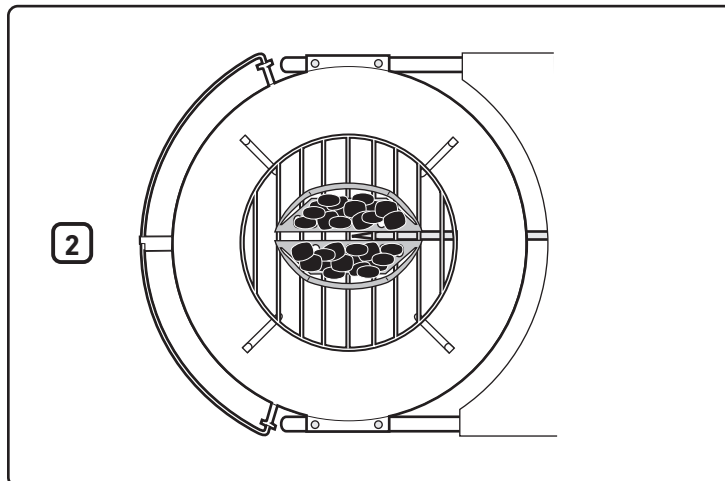
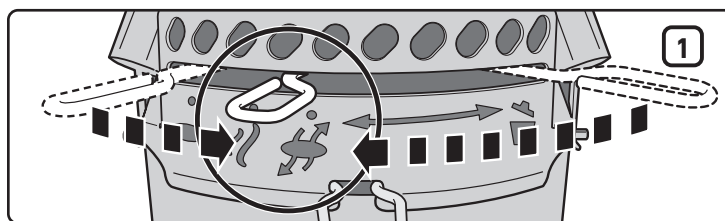
Note - Prolonged tank run time lessens tank life.

H) You can begin cooking when briquets have a light coating of grey ash (approximately 25-30 minutes).

TO EXTINGUISH

Turn gas control knob OFF (clockwise) until it is closed.

⚠ Wear barbecue mitts or gloves (conforming to EN 407, Contact Heat rating level 2 or greater) and use tongs to reposition CHAR-BASKETS over burner.



MANUAL LIGHTING

⚠ WARNING: Do not attempt to light manually without using the matchstick holder.

⚠ DANGER

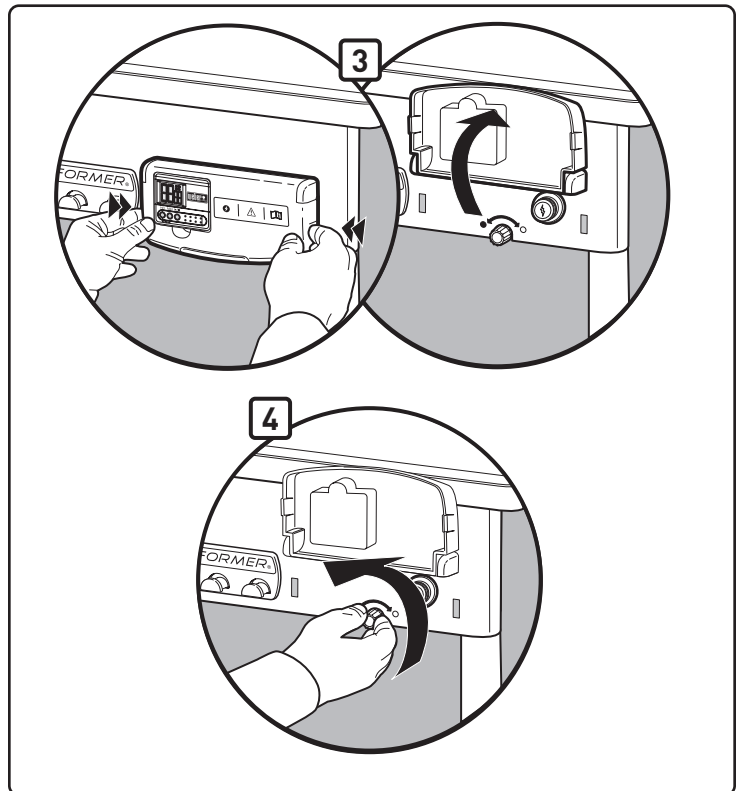
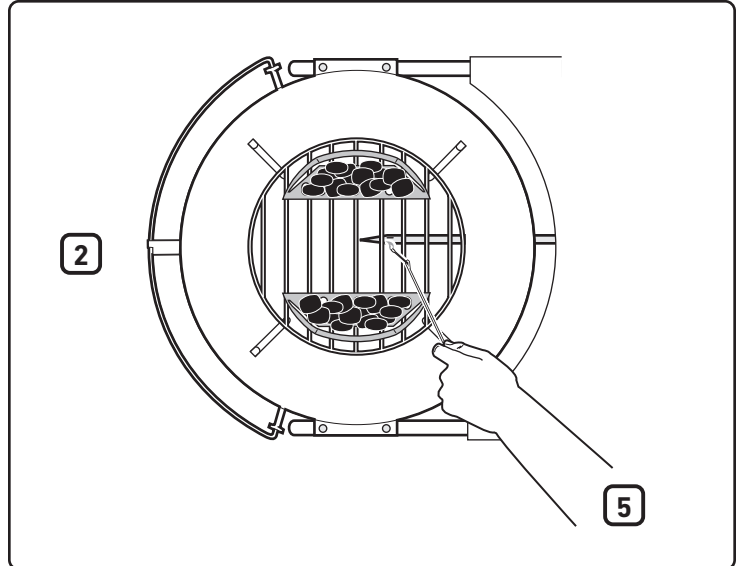
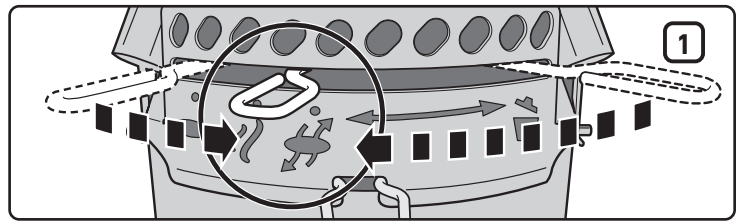
Open lid before lighting. Do not use any flammable liquids such as starting fluid, petrol, alcohol or any form of self-lighting charcoal at any time, including when manually lighting. Failure to do so will cause serious bodily injury or death.

- A) Remove grill lid before operating gas feature.
- ⚠ DANGER: Failure to do so can cause a gas build-up that can cause a fire or explosion which can cause serious bodily injury or death, or damage to property.**
- B) Open bottom bowl dampers (1).
- C) Move CHAR-BASKETS away from the burner (2).
- D) Push in tabs on gas control cover (3) and lift to open.
- E) Put a match in the matchstick holder. Light match.
- F) Turn gas supply on (counter-clockwise) at least one full turn (4).
- G) Position match flame at rear of burner slot (5).
- ⚠ WARNING: Do not hold hand directly above burner when manually lighting.**
- ⚠ WARNING: Do not lean over open barbecue while lighting.**
- ⚠ CAUTION: Flame may be hard to see on a bright day.**
- H) Wear barbecue mitts and use tongs to reposition CHAR-BASKETS over burner.
- I) After charcoal has ignited (approximately 5 minutes), turn gas control OFF (clockwise) until it is closed.
- J) You can begin cooking when briquets have a light coating of grey ash (approximately 25-30 minutes).

TO EXTINGUISH

Turn gas control knob OFF (clockwise) until it is closed.

⚠ Wear barbecue mitts or gloves (conforming to EN 407, Contact Heat rating level 2 or greater) and use tongs to reposition CHAR-BASKETS over burner.



TIMER OPERATION

This water-resistant digital cooking timer provides both countup and countdown features in hours, minutes and seconds.

To set the time to countdown:

- Press the **Start/Stop**: ► / ■ button to turn on the backlight.
- Press the **HR** button (1) to set the number of hours. Hold the button down to fast-forward digits (maximum setting: 99 hours) (4).
- Press the **MIN** button (2) to set the number of minutes. Hold the button down to fast-forward digits (maximum setting: 59 minutes) (5).
- When the time is set, press the **Start/Stop**: ► / ■ button (3) to start the countdown.
- When the time is up, the alarm will sound for 30 seconds and automatically restart countdown from previous time setting.

IMPORTANT

When the timer has over an hour left on the countdown, H and M (Hours and Minutes) will flash on and off; numbers will count down every minute. When the timer has less than an hour of time left, H and M turn to M and S (Minutes and Seconds) and the seconds count down; numbers will start to count down every second.

To clear the time:

- Press the **Start/Stop**: ► / ■ button to turn on the backlight.
- Press the **HR** and **MIN**: ↻ buttons simultaneously (1)(2).

To set the time to countup:

- Press the **Start/Stop**: ► / ■ button to turn on the backlight.
- Press the **Start/Stop**: ► / ■ button again to start countup. While counting up, display will show the reading in hour/minute and minute/second formats.
- Press the **Start/Stop**: ► / ■ button twice to stop timer. The countup will stop after 99 hours (4), 59 minutes (5).

Automatic shut-off:

- To save battery life, the backlight turns off after 10 seconds. The timer will turn completely off after 10 minutes of inactivity.

NOTE: If using the timer in an environment that subjects it to electrostatic discharge (static electricity) the time setting may be lost. If this happens, reset the timer.

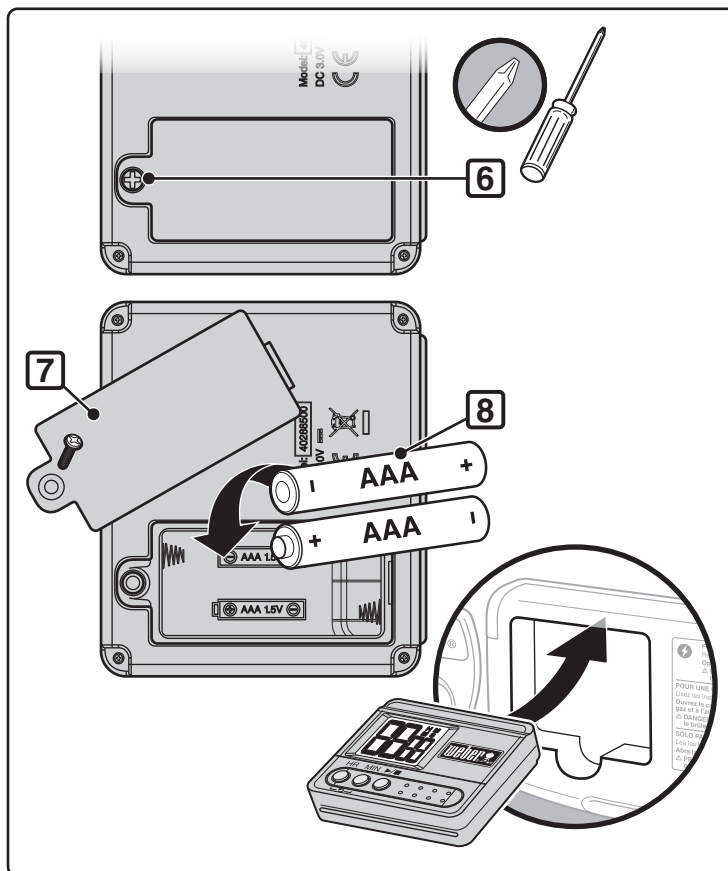
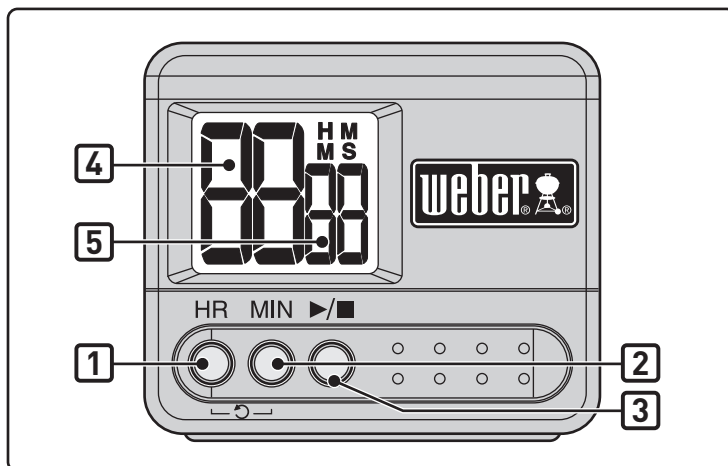
Battery installation:

- Use a Phillips screwdriver to unlock the battery compartment on the back of the timer (6) by turning the screw clockwise.
- Remove the battery cover from the back of the timer (7).
- Add or replace the AAA batteries (8).
- Replace the battery cover.
- Lock the battery cover by turning the screw anticlockwise with a Phillips screwdriver.
- After the batteries are installed, (0000) will display on the LCD screen.

Maintenance:

- Do not clean the timer with an abrasive or corrosive compound. Doing so may scratch it or corrode the electronic circuits.
- Do not subject the timer to excessive force, shock, dust or expose it to excessive temperatures or humidity. Doing so may result in its malfunction, shorter electronic lifespan, battery damage or distorted parts.
- Do not tamper with the internal components of the timer. Doing so will invalidate the timer's warranty and may cause unnecessary damage to the battery and internal parts.
- Do not subject the timer to excessive exposure to direct sunlight or heavy rain.
- Do not immerse the timer in water.

For best performance, it is recommended to bring the timer indoors when not in use.



TROUBLESHOOTING

EN

PROBLEM	CHECK	CURE
Burner burns with a yellow or orange flame, in conjunction with the smell of gas.	Inspect burner for possible obstructions.	Clean burner. (See "Maintenance" section)
Burner does not light, or flame is low.	Is LP fuel low or empty?	Replace LP cylinder.
	Is fuel hose bent or kinked?	Straighten fuel hose.
	Does the burner light with a match?	If you can light the burner with a match, then check the ignition system.
	Is the hose to burner tube connection properly secured?	Connect the gas hose to the burner tube using the metal retaining clip provided. ⚠ DANGER: Do not use the gas ignition feature if the retaining clip is missing. A missing retaining clip can cause serious bodily injury or death, and damage to property. Contact Customer Service for a replacement retainer clip.
Burner flame pattern is erratic.	Is burner clean?	Clean burner. (See "Maintenance" section)
Burner does not ignite when you push the igniter button.	Be sure that there is gas flow to the burners by attempting to match light your burners. Refer to "MANUAL IGNITION."	If match lighting is successful, the problem lies in the ignition system. Refer to "ELECTRONIC IGNITION SYSTEM OPERATION."
	Is there a fresh battery installed?	Verify that the battery is in good condition and installed correctly. Refer to "ELECTRONIC IGNITER INSPECTION."
	Are the wires connected properly to the ignition module?	Be sure that wires are correctly inserted into terminals on ignition box. Refer to "ELECTRONIC IGNITION SYSTEM OPERATION."
	Is there plastic wrapping around the new battery?	Remove plastic wrapping.
Timer does not work.	Is there a fresh batteries installed?	Verify that the batteries is in good condition and installed correctly. Refer to "TIMER OPERATION."
Inside of lid appears to be "peeling." (Resembles paint peeling.)	What you are seeing is baked-on grease that has turned to carbon and is flaking off. THIS IS NOT A DEFECT.	Clean thoroughly. (See "Cleaning" section)
If problems cannot be corrected by using these methods, please contact the Customer Service Representative in your area using the contact information on our web site. Log onto www.weber.com.		

MAINTENANCE

After a period of non-use we recommend that you perform the following maintenance procedures for your safety.

- Check hose before each use of barbecue for nicks, cracking, abrasions or cuts. If the hose is found to be unserviceable, do not use the barbecue. Replace using only WEBER authorised replacement parts. **Contact the Customer Service Representative in your area using the contact information on our web site. Log onto www.weber.com.**

⚠ CAUTION: If the barbecue gas hose is damaged in any way or leaking, do not use the barbecue.

- Inspect the burner for the correct flame pattern (see "Burner Flame Pattern" section). Clean, if necessary, according to the procedures outlined in this section.
- Check all gas fittings for leaks (See "Check For Gas Leaks" section).

PERIODIC CLEANING

To remove ashes from the bowl, move control rod (1) side to side so damper blades sweep ashes through the bowl vents and into the ash catcher.

⚠ CAUTION: Be sure the burner is OFF and the barbecue is cool before cleaning.

Do not enlarge burner slots when cleaning.

To clean burner:

- Brush the outside of the burner tube (2) and the burner slot (3) section with a wire brush.

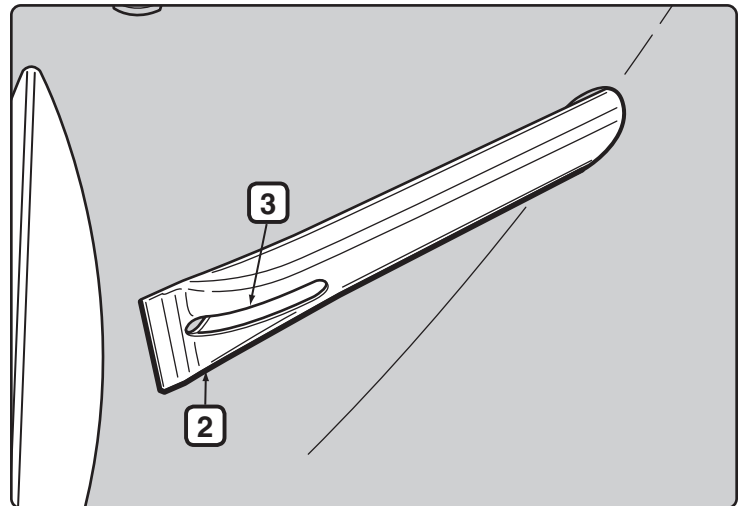
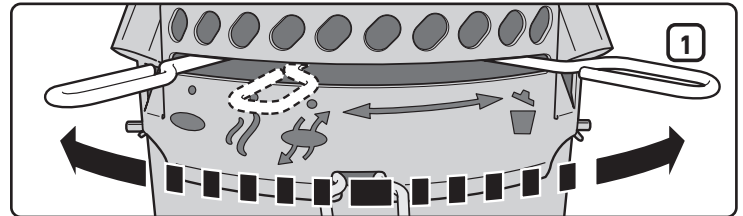
⚠ CAUTION: Do not enlarge the burner slots or the gas orifice when cleaning.

To clean kettle:

- While lid is warm, wipe the inside with a paper towel to prevent grease build-up.
- For outer surfaces use a warm soap-and-water solution and rinse well with clear water.

For a more thorough cleaning (to be done at least once a year):

- Remove ashes after coals are fully extinguished.
- Remove the grates and CHAR-BASKETS.
- Wipe out with paper towels. Wash with a mild detergent and water. Rinse well with clear water and wipe dry.



STORAGE

- When the Performer Grill is stored indoors, the gas supply must be disconnected and the LP tank stored outdoors in a well-ventilated space.
- LP tanks must be stored outdoors in a well-ventilated area out of the reach of children and must not be stored in a building, garage or any other enclosed area.
- After a period of storage and/or non-use, the barbecue should be checked for gas leaks and any obstructions in the burner tube before using (see "Maintenance" section).
- Check that the areas around the tank, hose and burner assembly are free from debris that might obstruct the flow of gas or air before use.

INSECT ALERT

Your Performer Grill, as well as any outdoor gas appliance, is a target for spiders and insects. They can nest in the venturi section (1) of the burner tube causing gas to flow back out of the air shutter.

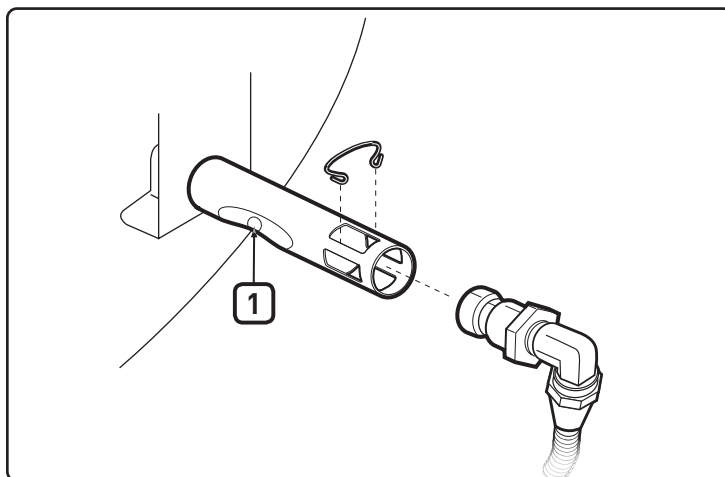
This could result in a fire in and around the burner tube under the bowl panel. It can cause serious damage to your barbecue, rendering it unsafe to operate.

We strongly recommend that you inspect and clean the burner tube at least once a year, or if any of the following symptoms occur:

- A) The smell of gas in conjunction with the burner flames appearing very yellow and lazy.
- B) Burner makes popping noises.

⚠ DANGER

Failure to correct these symptoms may result in a fire, which can cause serious bodily injury or death and may cause damage to property.

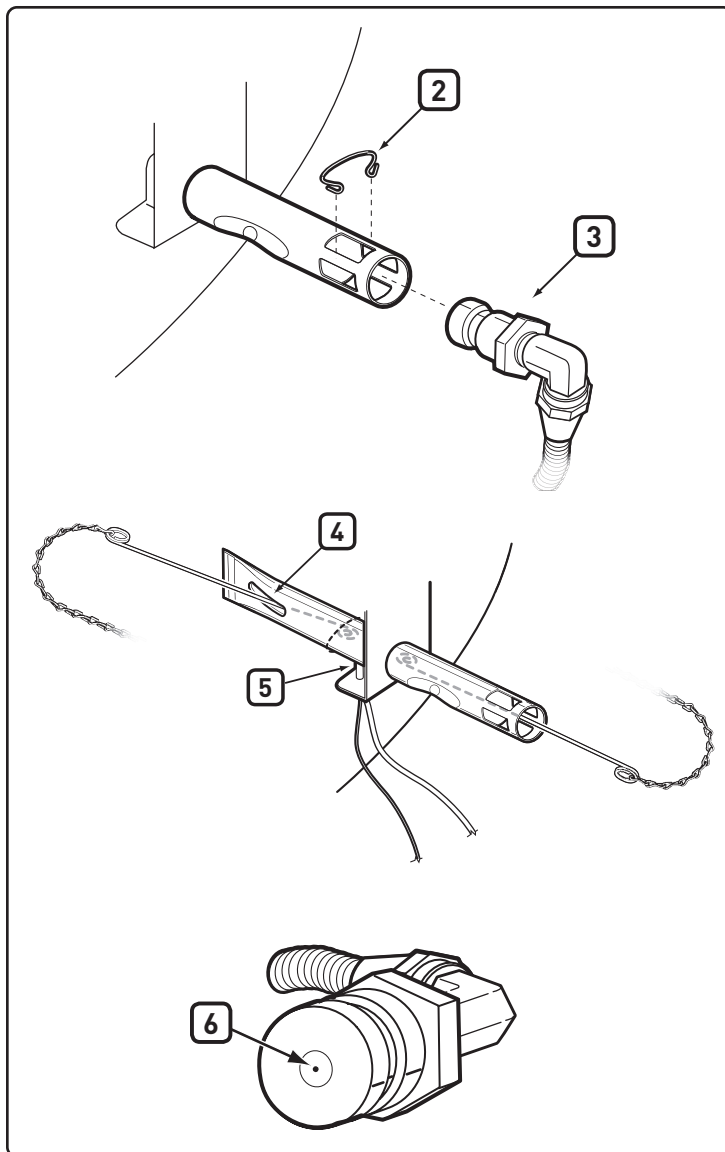


INSPECTING AND CLEANING THE BURNER

- A) Turn gas to OFF.
- B) Remove the CHARBIN storage container.
- C) Remove orifice clip (2) and hose fitting (3) from the burner tube.
- D) Look inside the burner with a torch.
- E) Clean the inside of the burner with the wire matchstick holder (mounted behind the WEBER logo plate). Use the wire to clean the air shutter area, the venturi section, and the burner slots (4) on the inside of the bowl. Be careful when inserting the burner cleaning tool not to damage the igniter electrode (5).
- F) Recheck with flashlight to see that there are no obstructions.
- G) If necessary, surface of hose fitting can be cleaned with a wire brush. The orifice (6) can be cleaned with a small pin.

⚠ CAUTION: Do not enlarge the orifice when cleaning.

- H) Reassemble by reversing steps B and C.

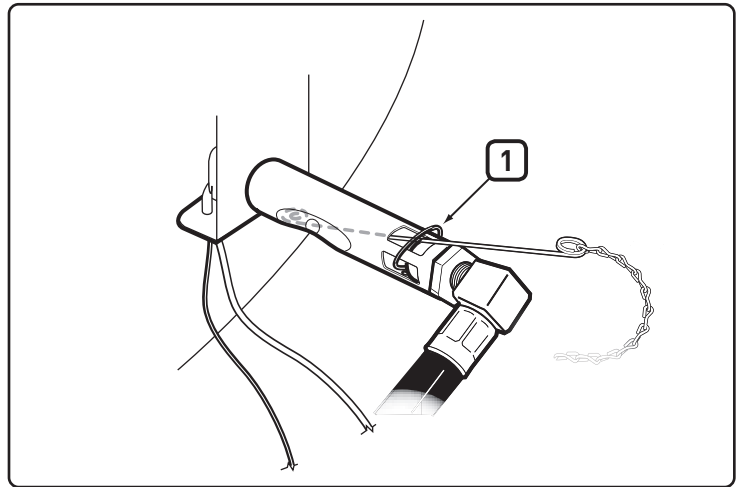


PERIODIC QUICK CLEANING

We recommend that you periodically brush the outside of the burner slots with a wire brush and clean the burner tube through the combustion air vent with the matchstick holder we have provided.

This can be done by locating the burner combustion air vents (1) underneath the bowl bracket and inserting the tool through each combustion air vent, rotating the tool. Be careful when inserting the matchstick holder not to damage the igniter electrode.

⚠ CAUTION: It is important to increase the frequency of this cleaning procedure during the spring and summer months.



ELECTRONIC IGNITION INSPECTION

If the electronic ignition system fails to ignite, be sure there is gas flow by attempting to match light your burners. Refer to "MANUAL LIGHTING". If match lighting is successful, the problem lies in the electronic ignition.

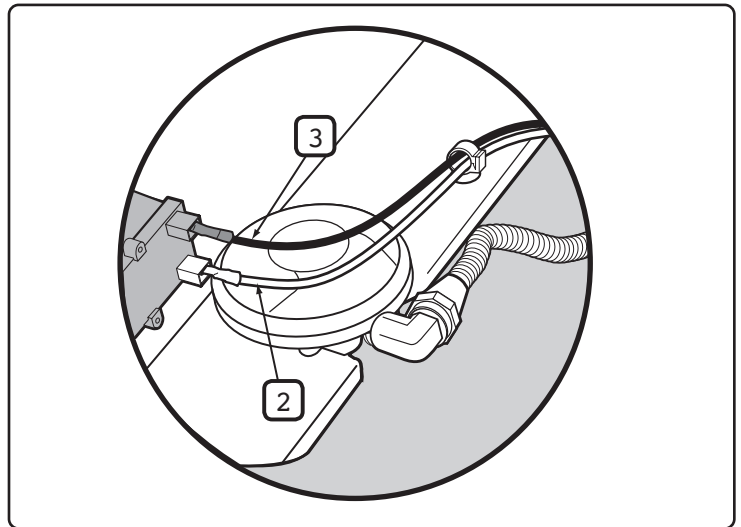
⚠ WARNING: Gas control and supply valve should be in the OFF position.

- Verify that the AAA battery (alkaline only) is in good condition and installed correctly (1). Some batteries have a plastic protective wrap around them. This plastic must be removed. Do not confuse this plastic with the battery label.
- Check that both the white (2) and black (3) ignition wires are attached properly.
- Check that the electronic ignition button is working by listening and looking for sparks at burner.
- Check to see if the igniter is loose in the frame. Tighten if necessary; see step "Install" for the correct procedure.

Replace Battery If Necessary

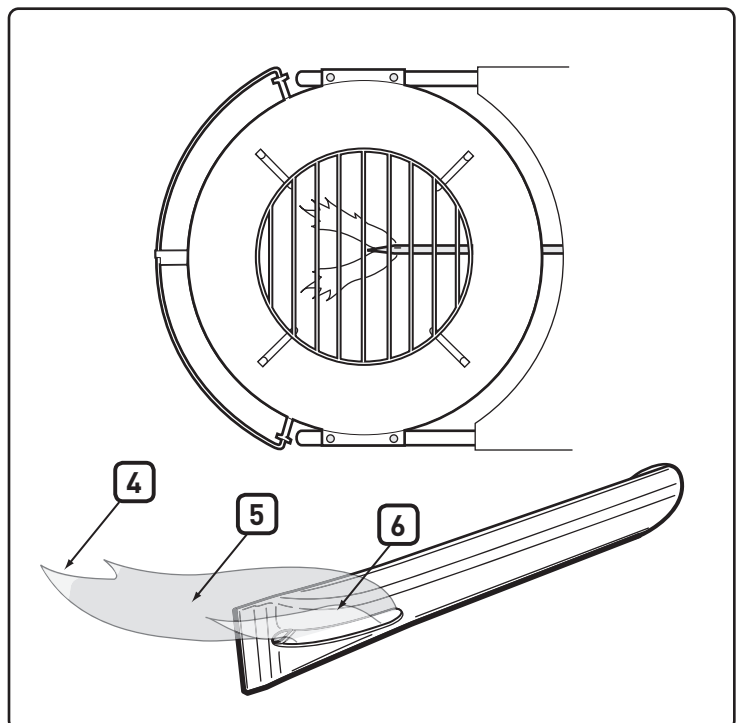
AAA alkaline battery only.

If the electronic ignition system still fails to light, contact the Customer Service Representative in your area using the contact information on our web site. Log onto www.weber.com.



BURNER FLAME PATTERN

The burner has been factory set for the correct air and gas mixture. The correct flame pattern should have yellowish tips (4) dark blue in the middle (5), and light blue at the burner tube (6). If the flames do not appear as shown, or if "popping" noises occur, follow the burner cleaning procedures.



⚠ ATTENTION: This product has been safety-tested and is only certified for use in a specific country. Refer to country designation located on outside of box.

These parts may be gas-carrying or gas-burning components. Please contact Weber-Stephen Products LLC Customer Service Department for genuine Weber-Stephen Products LLC replacement part(s) information.

⚠ WARNING: Do not attempt to make any repair to gas-carrying or gas-burning components without contacting Weber-Stephen Products LLC Customer Service Department. Your actions, if you fail to follow this product warning, may cause a fire or an explosion resulting in serious personal injury or death and damage to property.



WEBER-STEPHEN PRODUCTS LLC
www.weber.com

PERFORMER DELUXE

Brikettigrillin Omistajan Opas

Lue omistajan opas ennen ulkogrillin käyttämistä.

Kokoonpano -  p. 6

LUE TÄMÄ OPAS ENNEN KAASUGRILLIN KÄYTTÖÄ

VAARA


Jos tunnet kaasun hajua, toimi seuraavasti:

1. Katkaise kaasun syöttö laitteeseen.
2. Sammuta mahdolliset liekit.
3. Avaa kansi.
4. Jos haju tuntuu edelleen, pysy poissa laitteen luota ja ota välittömästi yhteys kaasuyhtiöön tai palokuntaan.

Kaasuvuoto saattaa aiheuttaa tulipalon tai räjähdyksen, joka voi aiheuttaa vakavia vammoja tai kuoleman tai vahingoittaa ympäristöä.

VAROITUS:

1. Älä säilytä tai käytä bensiiniä tai muita syttyviä höyryjä tai nesteitä tämän tai minkään muun laitteen läheisyydessä.
2. Kytkemätöntä kaasusäiliötä ei saa säilyttää tämän tai minkään muun laitteen läheisyydessä.

 **VAROITUS:** Noudata kaikkia tämän oppaan vuodontarkistusohjeita tarkasti ennen grillin käyttöä. Toimi näin, vaikka myyjä olisi koonnut grillin valmiiksi.

 **VAROITUS:** Älä yritä sytyttää Weber-kaasugrilliä, ennen kuin olet lukenut ohjeet tämän oppaan kohdasta Sytyttäminen.

TIETOJA ASENTAJALLE:

Tämän oppaan on jäätävä omistajalle ja se on säilytettävä tulevaa käyttöä varten.

VAIN ULKOKÄYTTÖÖN.

NÄIDEN VAARA-, VAROITUS- ja HUOMAUTUSILMOITUSTEN NOUDATTAMATTA JÄTTÄMINEN SAATTA AIBEUTTAA VAKAVAN RUUMIILLISEN VAMMAN TAI KUOLEMAN TAI OMAISUUSVAHINKOON JOHTAVAN TULIPALON TAI RÄJÄHDYKSEN.

- △ TURVALLISUUSMERKINNÄT (△) ilmoittavat tärkeistä TURVALLISUUSTIEDOISTA.
- △ Merkkisanoja VAARA, VAROITUS tai HUOMAUTUS käytetään TURVALLISUUSMERKINNÄN kanssa.
- △ VAARA ilmoittaa vakavimmasta riskistä.
- △ Lue kaikki tässä omistajan oppaassa olevat turvallisuustiedot ennen tämän grillin käyttämistä.

△ VAARAT

- △ Älä käytä tätä grilliä minkään herkästi syttyvän katoksen alla.
- △ Epäasianmukainen kokoaminen saattaa olla vaarallista. Noudata tämän oppaan kokoamisohjeita. Älä käytä grilliä, elleivät kaikki osat ole paikallaan. Varmista, että tuhkaneräysastia on kunnolla kiinni grillin pohjan alapuolisissa jaloissa tai tilava tuhkaneräysastia on paikallaan, ennen kuin sytytät grillin.
- △ Syttyvät materiaalit on pidettävä 60 cm:n etäisyydellä grillin ylä-, ala-, taka- tai sivuosista.
- △ Älä koskaan kumarru grillin yli, kun sytytät kaasupoltinta.
- △ Älä käytä grilliä kovassa tuulessa.
- △ Älä käytä grilliä, jos siinä on kaasuvuoto.
- △ Älä tarkasta kaasuvuotoja avotulella.
- △ Jos sytytin sammuu missään vaiheessa käyttöä, käännä säiliön venttiili kiinni. Poista kansi ja odota viiden minuutin ajan, ennen kuin yrität sytyttää sitä uudelleen noudattaen tässä oppaassa olevia sytytysohjeita.
- △ Älä yritä irrottaa kaasusäädintä säiliöstä tai mistään kaasuvälineistä, kun grilli on käytössä.
- △ Käytä ainoastaan nestekaasusäädintä, joka toimitetaan grillin mukana.

△ VAROITUKSET

- △ Noudata kaasugrillityypille tarkoitettuja säätimen liittämisohejeita.
 - △ Älä säilytä vaihtopatruunaa tai kertakäyttöistä irrotettua nestekaasupatruunaa tämän grillin alla tai lähellä.
 - △ Säilytä grilli tukevalla, tasaisella pinnalla kaikissa vaiheissa ja etäällä syttyvistä materiaaleista.
 - △ Älä pane grillin kantta tai mitään syttyvää esinettä grillin alla olevalle säilytysalueelle tai sen sisään.
 - △ Poista kansi aina, ennen kuin sytytät kaasupoltin joko manuaalisesti tai sytytysyksiköllä. Kansi on pidettävä OFF-asennossa, kunnes briketit ovat syttyneet kokonaan.
 - △ Käytä hyviä grillityökaluja, joissa on pitkät, lämmönkestävät kahvat.
 - △ Joissakin malleissa saattaa olla TUCK-AWAY-kannenpidikeominaisuus. TUCK-AWAY-kannenpidikkeeseen voidaan ripustaa kansi ruoan tarkastamisen tai kääntämisen aikana. Älä käytä TUCK-AWAY-kantta grillin nosto- tai siirtokahvana. Älä sijoita kuumaa kantta matolle tai nurmikolle. Älä ripusta kantta pohjan kahvasta.
 - △ Käsittele ja säilytä kuumia sähkökäynnistimiä varoen.
 - △ Pidä sähköjohtimet ja virtajohtot poissa grillin kuumilta pinoilta ja poissa vilkkailta kulkualueilta.
 - △ Tarkasta ennen käyttöä, että varastointi- ja/tai joutokauden jälkeen ei esiinny kaasuvuotoja tai polttimen tukoksia. Katso oikeat menettelyohjeet tästä oppaasta.
 - △ Grillin muuntaminen maakaasukäyttöön tai maakaasun käyttäminen tässä grillissä on vaarallista ja mitätöi takuun.
 - △ Lommoutunut tai ruosteinen kertakäyttöinen nestekaasupatruuna saattaa olla vaarallinen. Pyydä nestekaasutoimittajaa tarkastamaan se. Älä käytä kertakäyttöistä nestekaasupatruunaa, jonka venttiili on vioittunut.
 - △ Vaikka kertakäyttöinen nestekaasupatruuna saattaa näyttää tyhjältä, siinä saattaa olla vielä kaasua. Kertakäyttöistä nestekaasupatruunaa on kuljetettava ja säilytettävä asianmukaisesti.
 - △ Jos näet, haistat tai kuulet, että kertakäyttöisestä nestekaasupatruunasta pääsee kaasua:
 - △ Käytä vähintään standardin EN 407 kontaktilämpötilaa 2 vastaavia lämmönkestäviä grillikintaita tai -käsineitä laittaessasi ruokaa, säätäessäsi tuuletusaukkoja (peltejä), lisätessäsi brikettejä ja käsitellessäsi lämpömittaria tai grillin kantta.
1. Poistu kertakäyttöisen nestekaasupatruunan luota.
 2. Älä yritä korjata ongelmaa itse.
 3. Soita palokunta paikalle.

△ HUOMAUTUKSET

- △ Pohjan vuoraaminen alumiinifoliolla estää ilmavirran. Käytä sen sijaan lihasta valuvan paistirasvan keräämiseen tiputusastiaa paistaessasi epäsuoralla menetelmällä.
- △ Terävien esineiden käyttö grilliritilän puhdistamiseen tai tuhkan poistamiseen vahingoittaa pinnoitetta.
- △ Hankaavien puhdistusaineiden käyttö grilliritilässä tai itse grillissä vahingoittaa pinnoitetta.
- △ Grilli on puhdistettava perusteellisesti säännöllisin väliajoin.

Kiitos WEBER-tuotteen ostamisesta. Weber-Stephen Products LLC, 1415 S. Roselle Road, Palatine, Illinois 60067 USA ("Weber") on ylpeä siitä, että sen toimittamat tuotteet ovat turvallisia, kestäviä ja luotettavia.

Tämä on Weberin vapaaehtoinen takuu ilman lisäkustannuksia. Takuu sisältää tietoja siitä, miten saat WEBER-tuotteesi korjattua siinä epätodennäköisessä tilanteessa, että tuotteessa ilmenee toimintahäiriö tai vika.

Soveltuvien lakien mukaisesti asiakkaalla on useita oikeuksia, mikäli tuote on viallinen. Näihin oikeuksiin sisältyvät täydentävä toiminta tai vaihto, ostohinnan alennus sekä korvaus. Esimerkiksi EU:ssa kyseessä olisi kahden vuoden lakimääräinen takuu alkaen tuotteen luovutuspäivästä. Nämä takuehdot eivät vaikuta näihin ja muihin lakimääräisiin oikeuksiin. Itse asiassa tämä takuu antaa Omistajalle lisäoikeuksia, jotka ovat riippumattomia lakimääräisen takuun ehdoista.

WEBERIN VAPAAEHTOINEN TAKUU

Weber takaa WEBER-tuotteen ostajalle (tai lahjan ja vastaavan tapauksessa sille henkilölle, jolle lahja annettiin), että WEBER-tuotteessa ei ole materiaali- tai valmistusvikoja ostopäivän jälkeen alla kuvatuin mukaisesti, kun tuote on koottu ja sitä on käytetty mukana toimitetun omistajan oppaan ohjeiden mukaisesti. (Huomautus: jos WEBER-tuotteen omistajan opas katoaa, voit ladata uuden osoitteesta www.weber.com tai maakohtaisessa sivustossa, johon Omistaja voidaan edelleenohjata.) Normaaliissa yksittäisen kotitalouden käytössä WEBER lupaa tämän takuun mukaisesti korjata tai vaihtaa uuteen vialliset osat alla lueteltujen, soveltuvien aikajaksojen, rajoitusten ja poikkeusten mukaisesti. SOVELTUVAN LAIN PUITTEISSA TÄMÄ TAKUU KOSKEE VAIN ALKUPERÄISTÄ OSTAJAA EIKÄ SITÄ VOIDA SIIRTÄÄ MYÖHEMILLE OMISTAJILLE, PAITSI JOS TUOTE ON ANNETTU LAHJANA TAI VASTAAVANA KUTEN EDELLÄ ON ESITETTY.

OMISTAJAN VASTUUT TÄMÄN TAKUUN MUKAISESTI

Takuukäsittelyn helpottamiseksi on tärkeää (muttei välttämätöntä), että rekisteröit WEBER-tuotteesi osoitteessa www.weber.com tai maakohtaisessa sivustossa, johon Omistaja voidaan edelleenohjata. Säilytä myös alkuperäinen kuitti ja/tai lasku. Rekisteröimällä WEBER-tuotteesi varmistat takuun voimaolon ja samalla WEBER saa tarvittavat yhteystiedot, jotta voimme ottaa sinuun tarvittaessa yhteyden.

Edellä mainittu takuu on voimassa vain, jos Omistajan pitää kohtuullista huolta WEBER-tuotteesta noudattamalla kaikkia kokoamis- ja käyttöohjeita sekä hoito-ohjeita omistajan käsikirjan mukaisesti, ellei Omistaja kykene todistamaan, että vika tai häiriö on riippumaton edellä mainittujen velvoitteiden noudattamisesta. Mikäli asut rannikkoalueella tai tuote on uima-altaan lähellä, hoitoon sisältyy tuotteen ulkopintojen säännöllinen pesu ja huuhtelu omistajan käsikirjan ohjeiden mukaisesti.

TAKUUKÄSITTELY / TAKUUN RAJOITUS

Jos uskot, että osa kuuluu tämän takuun piiriin, ota yhteys Weber-asiakaspalveluun sivustomme yhteystietojen avulla (www.weber.com tai maakohtaisessa sivustossa, johon Omistaja voidaan edelleenohjata). WEBER tekee arvioinnin ja korjaa tai vaihtaa (päätöksensä mukaan) tämän takuun piiriin kuuluvan viallisen osan. Mikäli osan korjaaminen tai vaihtaminen ei ole mahdollista, WEBER voi (päätöksensä mukaan) vaihtaa kyseisen grillin uuteen, joka on arvoltaan vähintään kyseisen grillin suuruinen. WEBER voi pyytää, että lähetät osia tarkistettavaksi, toimituskulut maksettuna ennakoon.

Tämä TAKUU ei koske sellaisia vaurioita, heikentymistä, värinmuutosta ja/tai ruostetta, joista WEBER ei ole vastuussa ja joiden aiheuttaja on:

- Väärinkäyttö, virheellinen käyttö, muuntaminen, väärin soveltaminen, vandalismi, huolimattomuus, virheellinen kokoaminen tai asennus sekä normaalin ja säännöllisen hoidon tekemättä jättäminen;
- Hyönteiset (esim. hämähäkit) ja jyrsijät (esim. oravat), mukaan lukien mutta rajoittamatta, polttiputkien ja/tai kaasuletkujen vauriot;
- Altistuminen suolaiselle ilmalle ja/tai kloorinlähteille, kuten uima-altaat ja kuumavesialtaat/kylpylät;
- Ankarat sääolosuhteet, kuten rakeet, pyörremyrskyt, maanjäristykset, hyökyaallot, trombit tai voimakkaat myrskyt.

Muiden kuin alkuperäisten WEBER-osien käyttäminen ja/tai asentaminen WEBER-tuotteeseen mitätöi tämän takuun, eikä tämä takuu korvaa tällaisesta mahdollisesti aiheutuvia vahinkoja. Mikä tahansa kaasugrilliin tehty muutos, jota WEBER ei ole valtuuttanut tai Weberin valtuuttama huoltohenkilö ole tehnyt, mitätöi tämän takuun.

TUOTTEEN TAKUUAJAT

Pohja, kansi ja keskirengas:
10 vuotta, läpiruostuminen ja -palaminen

ONE-TOUCH-puhdistusjärjestelmä:
5 vuotta, läpiruostuminen ja -palaminen

Muoviosat:
5 vuotta, haalistuminen ja värin muuttuminen pois lukien

Kaikki muut osat:
2 vuotta

VASTUUVAPAUCLAUSEKKEET

TÄSSÄ ESITETYN TAKUUN JA VASTUUVAPAUCLAUSEKKEIDEN LISÄKSI TÄSSÄ EI ANNETA MITÄÄN MUUTA TAKUUTA TAI VAPAAEHTOISTA VASTUULOUSUNTOA, JOKA ULOTTUISI LAAJEMMALLE KUIN LAKIMÄÄRÄINEN TAKUU, JOKA KOSKEE WEBERIÄ. TÄMÄ TAKUU EI MYÖSKÄÄN RAJOITA TAI SULJE POIS TILANTEITA TAI VAATIMUKSIA, JOISSA WEBER ON LAIN MUKAAN VASTUUSSA.

MIKÄÄN TAKUU EI OLE VOIMASSA TÄMÄN TAKUUN SOVELTUVIEN AJANJAKSOJEN JÄLKEEN. WEBERIÄ EI SIDO MIKÄÄN MUU TAKUU, JONKA JOKU MUU HENKILÖ ON ANTANUT, MUKAAN LUKIEN JÄLLEEN- TAI VÄHITTÄISYYJÄ, MINKÄÄN TUOTTEEN OSALTA (ESIM. MAHDOLLINEN "JATKETTU TAKUU"). TÄMÄN TAKUUN AINOA KORVAUSVELVOITE ON OSAN TAI TUOTTEEN KORJAAMINEN TAI VAIHTAMINEN.

MAHDOLLISET KORVAUKSET EIVÄT MISSÄÄN TAPAUKSESSA TÄMÄN VAPAAEHTOISEN TAKUUN PUITTEISSA YLITÄ MYÖDYN WEBER-TUOTTEEN OSTOHINTAA.

KÄYTTÄJÄN VASTUULLA ON SELLAISET TAPPIOT, VAHINGOT SEKÄ HENKILÖ- JA OMAISUUSVAHINGOT KÄYTTÄJÄN JA MUIDEN OSALTA, JOTKA JOHTUVAT TUOTTEEN VIRHEELISETÄI TAI VÄÄRÄSTÄ KÄYTTÖSTÄ TAI WEBERIN TUOTTEEN MUKANA TOIMITETUSSA OMISTAJAN OPPAASSA ANTAMIEN OHJEIDEN NOUDATTAMATTA JÄTTÄMISESTÄ.

TÄMÄN TAKUUN PUITTEISSA VAIHDETUT OSAT OVAT TAKUUN ALAISIA VAIN EDELLÄ MAINITTUJEN ALKUPERÄISTEN TAKUUAIKOKSEN MUKAISESTI.

TÄMÄ TAKUU KOSKEE VAIN YKSITTÄISTEN KOTITALOUKSIEN KÄYTTÖÄ. TAKUU EI KOSKE WEBER-GRILLEJÄ, JOITA KÄYTETÄÄN KAUPALLISISSA, YHTEISISSÄ TAI USEIDEN YKSIKÖIDEN KOHTEITA, KUTEN RAVINTOLAT, HOTELLIT, VAPAA-AJAN KESKUKSET JA VUOKRAKIINTEISTÖT.

WEBER VOI AJOITTAIN MUUTTA TUOTTEIDEN RAKENNETTA. MIKÄÄN TÄMÄN TAKUUN OSA EI VELVOITA WEBERIÄ SISÄLLYTTÄMÄÄN TÄLLAISIA TUOTEMUUTOKSIA AIEMMIN VALMISTETTUIHIN TUOTTEISIIN, EIVÄTKÄ TÄLLAISET MUUTOKSET OSOITA, ETTÄ AIEMMAT RAKENTEET OLISIVAT VIALLISSA.

VAIHTOLETKU, SÄÄDIN JA VENTTIILIKOKOONPANO

kaasuletkukokoonpanon vaihtamista 5 vuoden välein. Joissakin maissa edellytetään kaasuletkun vaihtamista useammin kuin 5 vuoden välein, jolloin tätä on noudatettava.

Vaihtoletkua, säädintä ja venttiilikokoonpanoa varten ota yhteys oman alueesi asiakaspalveluun. Yhteystiedot ovat kotisivuillamme. Siirry osoitteeseen www.weber.com.

MAA

Tanska, Ruotsi, Norja, Suomi, Englanti, Alankomaat, Iso-Britannia, Ranska, Espanja, Portugali, Belgia, Irlanti, Kreikka, Luxemburg, Italia, Saksa, Itävalta

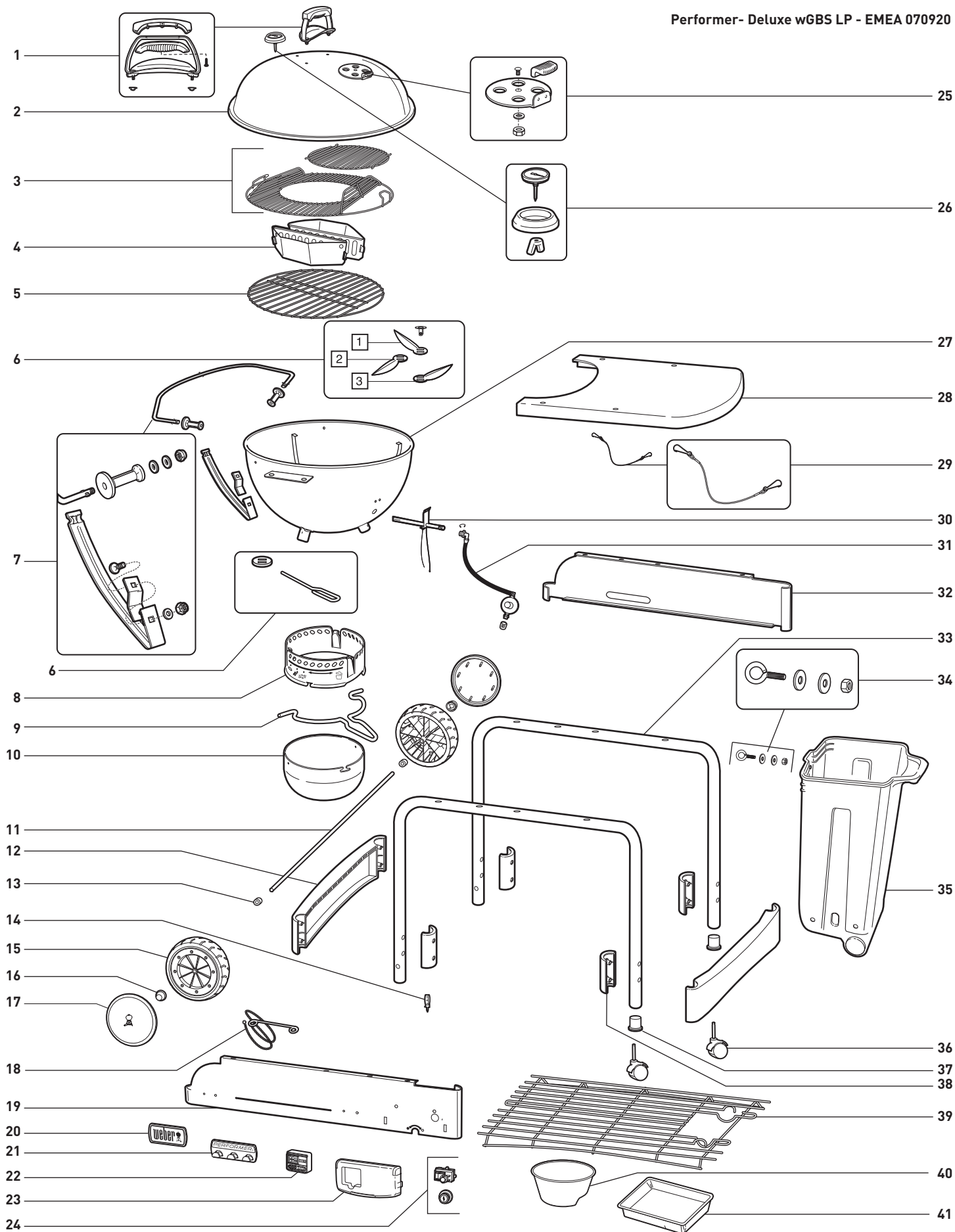
KAASUN TYYPI JA PAINES

I_{3B/P} - 29 mbar

KULUTUSTIEDOT

Polttimen sytyttäminen, enintään

Propani/ butaani-seos	kW	g/h
	2,6	192



- | | | |
|----------------------------------------------------|-----------------------------------------------------|----------------------------------------------|
| 1. Kannen kahvan kokoonpano | 16. Pölysuojus | 31. Letku sekä suuaukollinen säädin ja pinne |
| 2. Kansi | 17. Pyöränsuojus | 32. Takapaneeli |
| 3. GBS -grilliritilä | 18. Tulitikun pidike | 33. Jalan runko |
| 4. CHAR-BASKETS | 19. Etupaneeli | 34. CHARBIN-osat |
| 5. Grilliritilä | 20. Logolevy | 35. CHARBIN |
| 6. ONE-TOUCH -puhdistusjärjestelmä | 21. Työkalupidike | 36. Lukitussovite |
| 7. TUCK-AWAY-kannenpidikkeen ja alatuen kokoonpano | 22. Digitaalinen paistoaistin | 37. Pyöräsovite |
| 8. Tuhkankeräysastian rengas | 23. Kaasusäätimen kansi | 38. Jalan runkotuen kiinnike |
| 9. Tuhkankeräysastian kahva | 24. Sytytysyksikön painike / sytytysyksikön moduuli | 39. Pohjateline |
| 10. Tilava tuhkankeräysastia | 25. Kannen savupeltikokoonpano | 40. Brikettiastia |
| 11. Akseli | 26. Lämpömittari | 41. Kertakäyttöinen tiputusastia |
| 12. Jalan runkotuen pidike | 27. Pohja | |
| 13. Pyöränlevennys | 28. Pöytä | |
| 14. Sytytysyksikön johdon pidike | 29. CHARBIN-kiinnitysketju | |
| 15. Pyörä | 30. Poltinkokoonpano | |

Jos sinulla on kysymyksiä tai tarvitset neuvoja grillistäsi tai sen turvallisesta käytöstä, kirjautu sivustoon www.weber.com.

- Näissä ohjeissa esitellään WEBER-ulkogrillin kokoamisen vähimmäisedellytykset. Lue ohjeet huolellisesti läpi, ennen kuin käytät WEBER-grilliiä. Virheellinen kokoaminen saattaa olla vaarallista.
- Ei lasten käytettäväksi.
- Tämä WEBER-ulkogrilli on suunniteltu käytettäväksi ainoastaan propaanilla tai propaanin/butaanin kaasuseoksella. Älä käytä maakaasua. Venttiili ja säädin ovat ainoastaan propaania tai propaanin/butaanin kaasuseosta varten.
- Tätä WEBER-ulkogrilliiä ei ole tarkoitettu kaupalliseen käyttöön.
- Alkoholi ja/tai resepti- ja muut lääkkeet saattavat vaikuttaa haitallisesti käyttäjän kykyyn koota laite asianmukaisesti tai käyttää sitä turvallisesti.

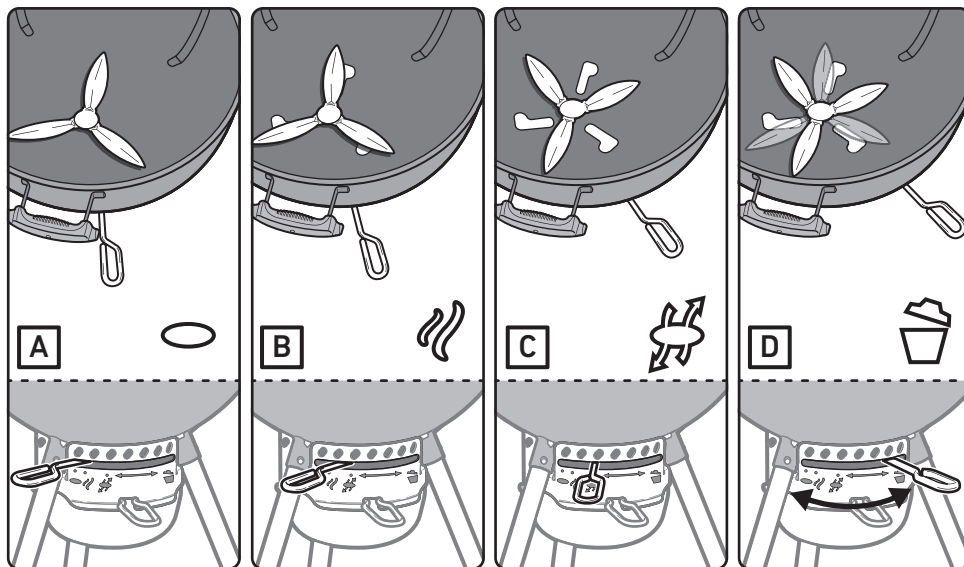
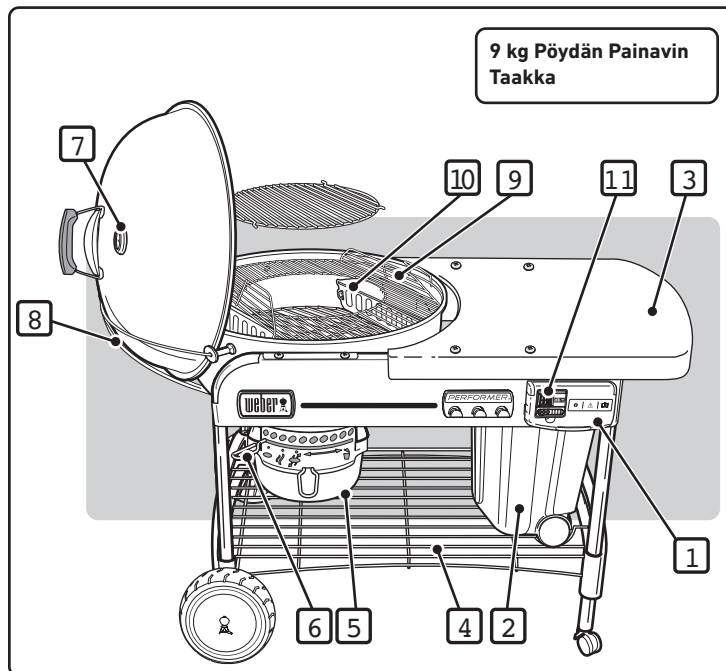
OMINAISUUDET

- A) Ainutlaatuinen TOUCH-N-GO-kaasun sytytysjärjestelmä yksinkertaistaa puuhiilibrikettien sytyttämisen (1). Sytytä brikitit helposti pitämällä painiketta painettuna, jolloin järjestelmän kaasupoltin syttyy. Voit sanoa hyvästi vaarallisten neste sytytys aineiden käytölle ja säilyttämiselle sekä nestemäisten sytytysaineiden jälkimaualle.
- B) CHARBIN-säilytyslokeroissa voidaan säilyttää enintään 13,7 kg:n painoista brikkettipussia (2). Brikkettipussi on asetettava suoraan CHARBIN-säilytyslokeroon.
- C) Metallityöpinta toimii erinomaisena työalueena ja peittää CHARBIN-säilytyslokeron pitäen brikitit kuivina (3).
- D) Kätevä pohjateline säilytykseen (4).
- E) Tilava tuhkaneräysastia lukittuu paikoilleen pitäen tuhkan poissa ilmasta (5).
- F) ONE-TOUCH-puhdistusjärjestelmä puhdistaa vaivatta tuhkat sekä avaa ja sulkee tuuletusaukot (6).
- G) Lämpömittari valvoo ruoanlaittolämpötilaa grillin sisällä (7).
- H) TUCK-AWAY-kansi liikuu ruostumattomasta teräksestä valmistetun kannen pidikkeen sisälle ja toimii tuulensuojana brikketä sytyteessä (8).
- I) GOURMET BBQ SYSTEM (GBS)-järjestelmän saranallinen grilliritilä: (9), saranalliset siivekkeet avautuvat grilliritilän päälle helpottaen brikkettien tai lastujen sijoittamista ruoanlaiton aikana. Sisältää lisäosan arkikäyttöön. Sopii GOURMET BBQ SYSTEM-lisälaitteiden koko tuotelinjaan.
- J) CHAR-BASKET-brikketitelineet helpottavat grillaamista keskitetysti tai epäsuorasti käytettäessä joko puuta tai brikketä (10).
- K) Digitaalinen paisto ajastin (11).

- Tätä WEBER-ulkogrilliiä ei ole tarkoitettu lämmittimeksi eikä sitä saa käyttää lämmittimenä.
- Älä jätä WEBER -ulkogrilliiä valvomatta. Pidä lapset ja lemmikkieläimet aina poissa WEBER-ulkogrillin läheisyydestä.
- Käyttäjä ei saa muuttaa valmistajan pysyvästi kiinnittämiä osia.
- Laitteen muuttaminen saattaa olla vaarallista.
- Irrota sylinteri, jos: 1) se on tyhjä, 2) grilli varastoidaan autotalliin tai muuhun suljettuun tilaan tai 3) grilliä kuljetetaan.

⚠ **Älä siirrä laitetta käytön aikana. Anna grillin jäähtyä ennen siirtämistä.**

⚠ **Tätä laitetta ei ole tarkoitettu lämmittimeksi eikä sitä saa käyttää lämmittimenä.**



FI A - Ilmanpoistoaukot kiinni B - Haudutus matalassa lämpötilassa C - Ilmanpoistoaukot auki D - Poista tuhka

⚠ **VAROITUS:** Mikäli käytät sytytysnestettä, tarkasta tuhka-astia aina ennen sytyttämistä. Sytytysnestettä voi valua tuhka-astiaan ja syttyä, jolloin alaosan alle syttyy tulipalo. Poista tuhka-astiaan mahdollisesti valunut sytytysneste ennen brikkettien sytyttämistä.

KERTAKÄYTTÖISEN NESTEKAASUPATRUUNAN KYTKEMINEN

Käytä kertakäyttöisiä nestekaasupatruunoita, joiden vähimmäiskapasiteetti on 430 g ja enimmäiskapasiteetti 460 g. Patruunassa on oltava EN417-venttiili kuvan mukaisesti. Eräs mahdollinen patruunatyyppe on Primus-malli 2202 tai kertakäyttöinen WEBER Q Gas -patruuna.

⚠ NOUDATA VAROVAISUUTTA: Käytä ainoastaan säiliöitä, joissa on propania tai butaanin ja propanin seosta.

Työnnä kertakäyttöinen nestekaasupatruuna säätimeen ja kierrä myötäpäivään, kunnes patruuna on tiukasti kiinni.

⚠ VAROITUS: Kiristä vain käsin. Liiallinen voimankäyttö voi vahingoittaa säätimen liitäntää ja aiheuttaa vuodon tai kaasun virtauksen estymisen.

TARKISTA KAASUVUODOT:**⚠ VAARA**

Älä käytä kaasuvuotojen tarkistuksessa tulenliekkiä. Varmista vuotojen tarkistuksen yhteydessä, että lähellä ei ole kipinöitä tai liekkejä. Kipinät tai liekit saattavat aiheuttaa tulipalon tai räjähdysten, joka voi aiheuttaa vakavia ruumiillisia vammoja tai kuoleman sekä vahingoittaa ympäristöä.

Tarvitset seuraavat välineet: Kertakäyttöinen nestekaasupatruuna, saippuavettä ja räsy tai harja.

- Sekoita saippua veteen.
- Käännä kaasunsäädintä vastapäivään asentoon ON.
- Tarkista mahdolliset vuodot kastelemalla liitos saippuavedellä ja etsimällä kuplia. Jos kuplia muodostuu tai kupla kasvaa, kyseessä on vuoto.

TARKISTA:

A) Säätimen ja kertakäyttöisen nestekaasupatruunan liitäntä.

⚠ VAROITUS: Jos liitännässä (1) on vuoto, poista kertakäyttöinen nestekaasupatruuna. Älä käytä grilliä. Käytä toista kertakäyttöistä nestekaasupatruunaa ja tarkista vuodot uudelleen saippuaveden avulla. Jos vuoto jatkuu nestekaasupatruunan uudelleen kiristämisen jälkeen, katkaise kaasu. **ÄLÄ KÄYTÄ GRILLIÄ. Ota yhteys oman alueesi asiakaspalveluun. Yhteystiedot ovat kotisivuillamme. Siirry osoitteeseen www.weber.com.**

TARKISTA:

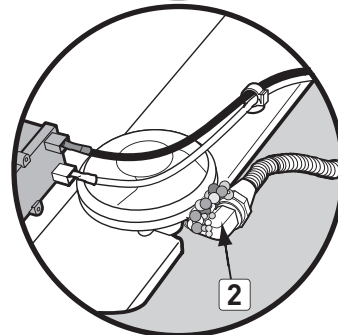
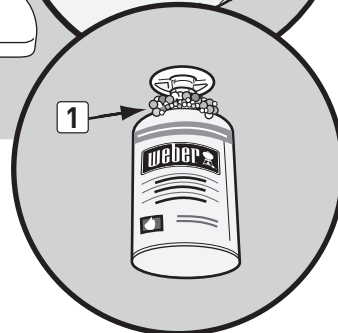
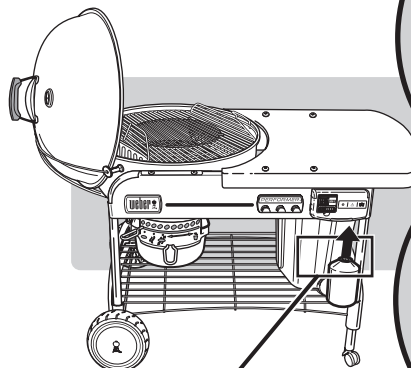
B) Venttiilin ja säätimen liitännät.

⚠ VAROITUS: Jos liitännässä (2) on vuoto, sammuta kaasu (OFF). **ÄLÄ KÄYTÄ GRILLIÄ. Ota yhteys oman alueesi asiakaspalveluun. Yhteystiedot ovat kotisivuillamme. Siirry osoitteeseen www.weber.com.**

Kun olet tarkistanut mahdolliset vuodot, käännä kaasusäädin asentoon OFF säiliöltä ja huuhtelee liitännät vedellä.

⚠ VAARA

Älä säilytä ylimääräistä nestekaasupatruunaa laitteen alla tai lähellä.



SYTYTTÄMINEN

⚠ VAARA

Avaa kansi ennen sytyttämistä. Älä käytä palavia nesteitä kuten bensiiniä, sytytysnestettä tai alkoholia tai minkäänlaista itsestäänsyttyvää brikettiä. Tämä koskee myös käsin sytyttämistä. Tämän ohjeen noudattamatta jättäminen voi aiheuttaa vakavan vamman tai kuoleman.

A) Nosta grillin kansi pois ennen kaasusytytyksen aloittamista.

⚠ **VAARA: Kaasua voi kerääntyä ja tämä voi aiheuttaa tulipalon tai räjähdyksen, joka voi aiheuttaa vakavia vammoja tai kuoleman sekä omaisuusvahinkoja.**

B) Avaa alailmanottoaukot (1).

C) Aseta CHAR-BASKETS polttimen (2) päälle.

D) Työnnä sisään kaasusäätimen kannen (3) kielekkeet ja avaa nostamalla.

E) Avaa kaasusäädintä (vastapäivään) vähintään kokonainen kierros (4).

⚠ **VAROITUS: Älä kumarru avoimen grillin päälle sytytettäessä.**

F) Paina ja pidä painettuna sytytysnappia, kunnes poltin syttyy (5).

⚠ **HUOMAA: Liekkiä voi olla vaikea havaita kirkaalla säällä.**

G) Kun briketit ovat syttyneet (noin 5 minuutin kuluessa), käännä kaasusäätimen nuppia pois-asentoon (myötäpäivään), kunnes se on kiinni.

⚠ **HUOMAA: Varmista, että suljet kannen kunnolla.**

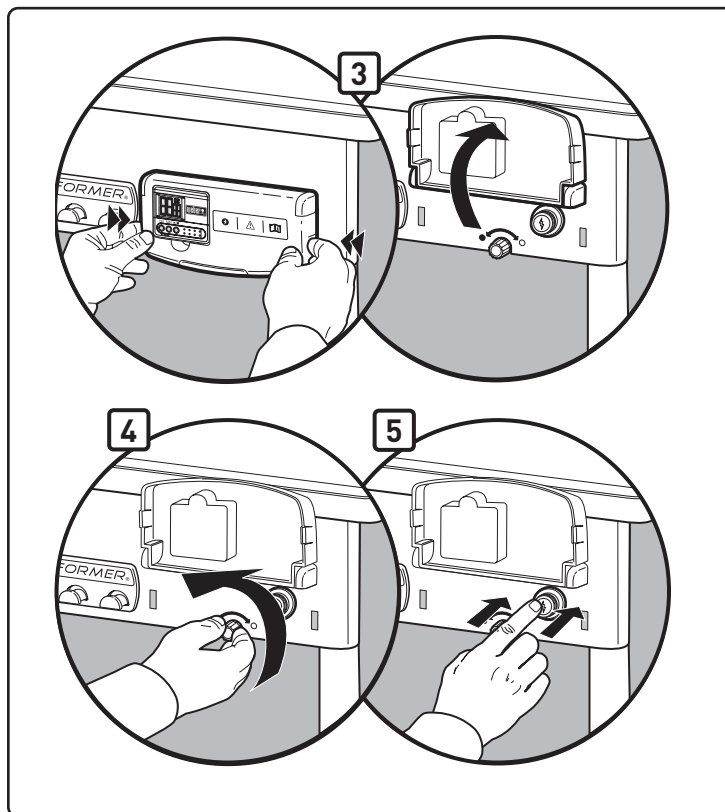
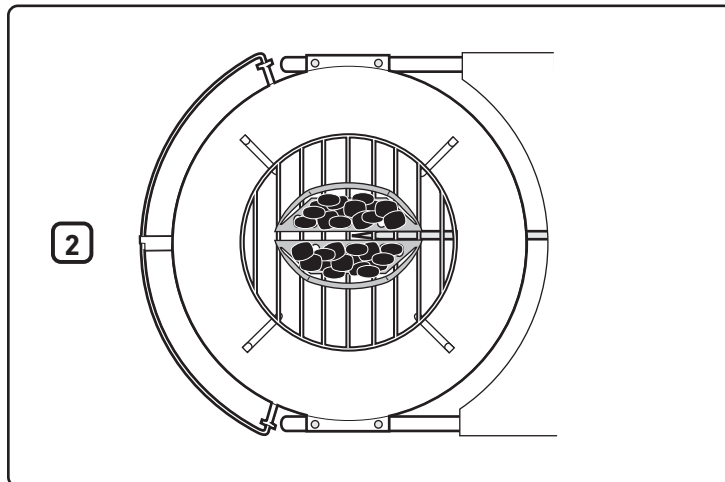
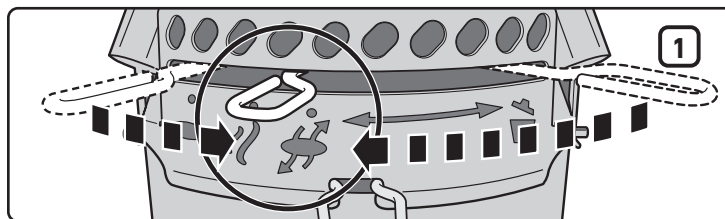
Huomautus - kaasun pidempi käyttö lyhentää säiliön käyttöaika.

H) Voit aloittaa grillauksen, kun briketeissä on kevyt harmaa tuhkapinta (noin 25-30 minuutin kuluessa).

SAMMUTTAMINEN

Käännä kaasusäätimen nuppia pois-asentoon (myötäpäivään), kunnes se on kiinni.

⚠ **Käytä vähintään standardin EN 407 kontaktilämpötasoa 2 vastaavia grillikintaita tai -käsineitä sekä pihtejä, kun siirtelet CHAR-BASKET-korien polttimien päällä.**



KÄSIN SYTYTTÄMINEN

⚠ **VAROITUS:** Älä yritä sytyttää grilliä käsin ilman tulitikunpidikettä.

⚠ **VAARA**

Avaa kansi ennen sytyttämistä. Älä käytä palavia nesteitä kuten bensiiniä, sytytysnestettä tai alkoholia tai minkäänlaista itsestäänsyttyvää brikettiä. Tämä koskee myös käsin sytyttämistä. Tämän ohjeen noudattamatta jättäminen voi aiheuttaa vakavan vamman tai kuoleman.

A) Nosta grillin kansi pois ennen kaasusytytyksen aloittamista.

⚠ **VAARA:** Kaasua voi kerääntyä ja tämä voi aiheuttaa tulipalon tai räjähdyksen, joka voi aiheuttaa vakavia vammoja tai kuoleman sekä omaisuusvahinkoja.

B) Avaa alailmanottoaukot (1).

C) Siirrä CHAR-BASKETS pois polttimelta (2).

D) Työnnä sisään kaasusäätimen kannen (3) kielekkeet ja avaa nostamalla.

E) Laita tulitikku tulitikunpidikkeeseen. Sytytä tulitikku.

F) Avaa kaasusäädintä (vastapäivään) vähintään kokonainen kierros (4).

G) Vie palava tulitikku polttimen aukon (5) takaosaan.

⚠ **VAROITUS:** Älä pidä kättäsi polttimen yläpuolella, kun sytytät käsin.

⚠ **VAROITUS:** Älä kumarru avoimen grillin päälle sytytettäessä.

⚠ **HUOMAA:** Liekkiä voi olla vaikea havaita kirkkaalla säällä.

H) Käytä grillikintaita, kun siirrät CHAR-BASKETS polttimen päälle.

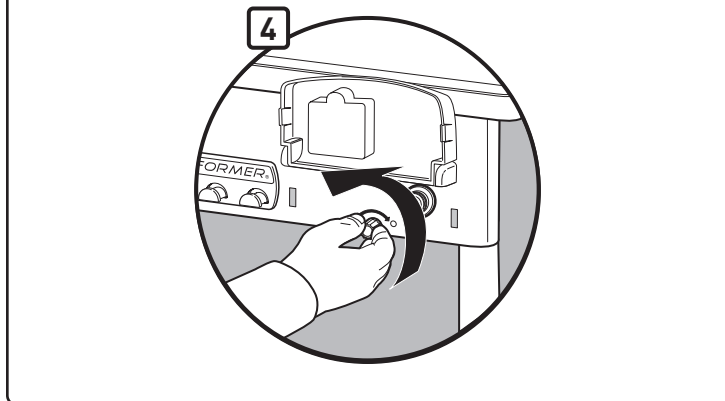
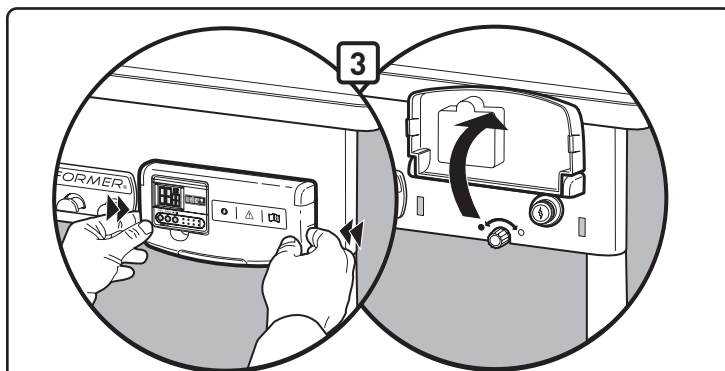
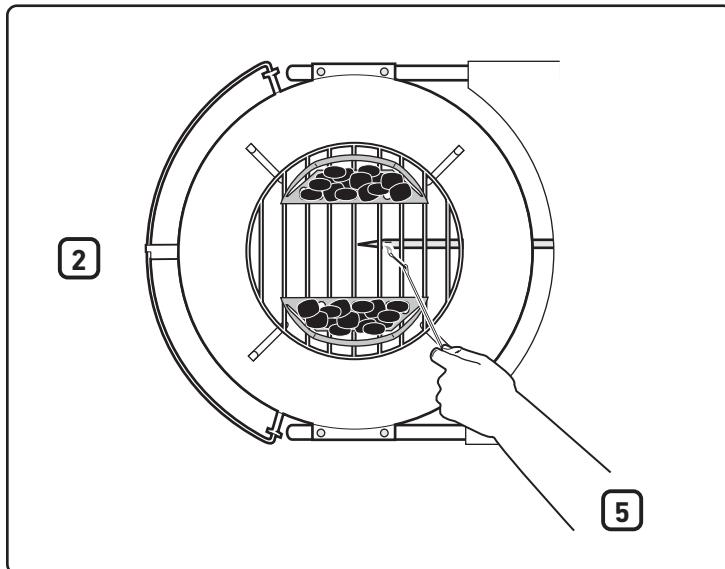
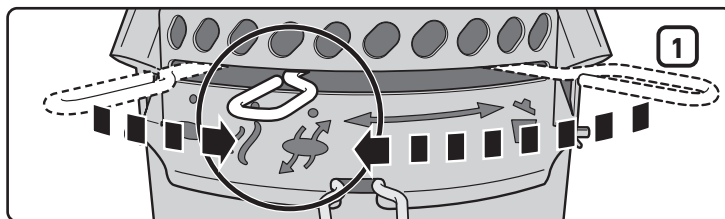
I) Kun briketit ovat syttyneet (noin 5 minuutin kuluessa), käännä kaasusäädintä (myötäpäivään), kunnes se on kiinni.

J) Voit aloittaa grillauksen, kun briketeissä on kevyt harmaa tuhkapinta (noin 25-30 minuutin kuluessa).

SAMMUTTAMINEN

Käännä kaasusäätimen nuppia pois-asentoon (myötäpäivään), kunnes se on kiinni.

⚠ Käytä vähintään standardin EN 407 kontaktilämpötasoa 2 vastaavia grillikintaita tai -käsineitä sekä pihtejä, kun siirtelet CHAR-BASKET-korien polttimien päällä.



AJASTIMEN TOIMINTA

Tämä vedenpitävä digitaalinen paistoajastin voidaan asettaa laskemaan paistoaikaa ylös- tai alaspäin tunneissa, minuuteissa ja sekunneissa.

Aseta ajanlasku alaspäin:

- Paina **Start/Stop** (Alku/Pysäkki): ► / ■ painiketta, jotta takavallo syttyy.
- Paina **HR-** painiketta (1), kun haluat asettaa tunnit. Pidä painiketta painettuna, jos haluat selata aikaa nopeasti eteenpäin (enimmäisasetus 99 tuntia) (4).
- Paina **MIN-** painiketta (2), kun haluat asettaa minuutit. Pidä painiketta painettuna, jos haluat selata aikaa nopeasti eteenpäin (enimmäisasetus 59 minuuttia) (5).
- Asetettuasi kellonajan paina **Start/Stop** (Alku/Pysäkki): ► / ■ painiketta (3), jotta ajanlasku käynnistyy.
- Kun aika on lopussa, hälytys soi 30 sekunnin ajan ja alkaa automaattisesti laskea alaspäin edellisestä aika-asetuksesta.

TÄRKEÄÄ

Kun ajastimessa on jäljellä alaspäin laskua enemmän kuin tunti, H ja M (tunnit ja minuutit) välkkyvät ja ajanlasku tapahtuu alaspäin minuutin kerrallaan. Kun ajastimessa on aikaa jäljellä vähemmän kuin tunti, H ja M muuttuvat M:ksi ja S:ksi (minuuteiksi ja sekunneiksi) ja ajanlasku tapahtuu alaspäin sekunnin kerrallaan.

Ajan nollaaminen:

- Paina **Start/Stop** (Alku/Pysäkki): ► / ■ painiketta, jotta takavallo syttyy.
- Paina **HR-** ja **MIN-**: ☉ painikkeita samaan aikaan (1)(2).

Aseta ajanlasku ylöspäin:

- Paina **Start/Stop** (Alku/Pysäkki): ► / ■ painiketta, jotta takavallo syttyy.
- Paina **Start/Stop** (Alku/Pysäkki): ► / ■ painiketta uudestaan, jotta ajanlasku ylöspäin käynnistyy. Ylöspäin laskun aikana näytössä näkyy lukema tunti-/minuutti- ja minuutti-/sekuntimuodoissa.
- Paina **Start/Stop** (Alku/Pysäkki): ► / ■ painiketta kaksi kertaa, jos haluat pysäyttää ajastimen. Ajanlasku ylöspäin pysähtyy 99 tunnin (4) ja 59 minuutin jälkeen (5).

Automaattinen sammutus:

- Takavallo sammuu automaattisesti 10 sekunnin kuluttua pariston säästämiseksi. Ajastin sammuu kokonaan oltuaan joutilaana 10 minuutin ajan.

Huomautus: Jos käytät ajastinta ympäristössä, jossa se joutuu alttiiksi sähköstaattiselle purkaukselle (staattinen sähkö), aika-asetus saattaa kadota. Jos näin käy, nollaa ajastin.

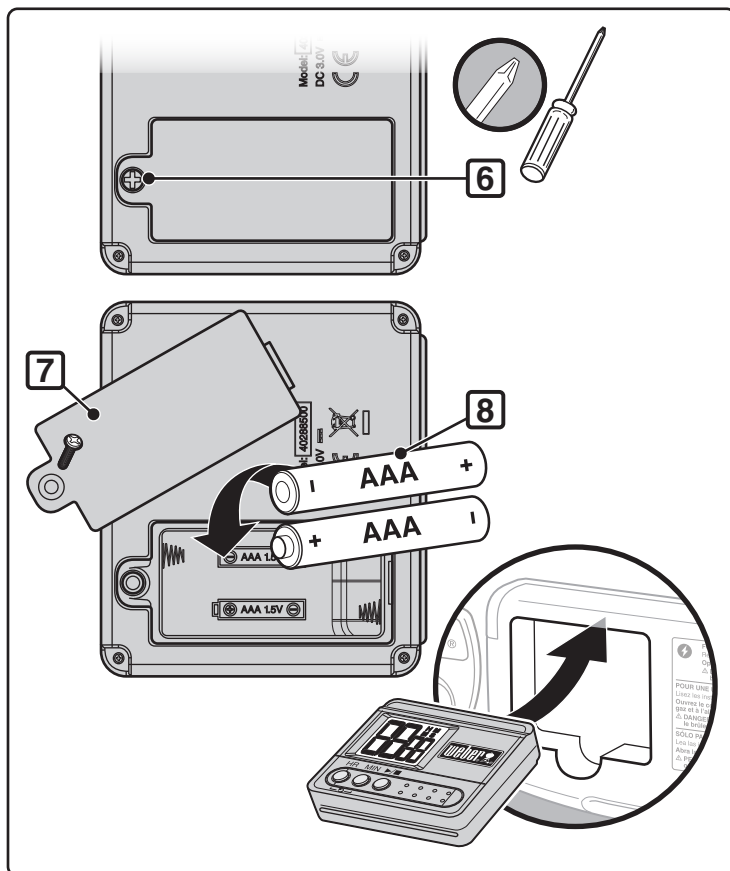
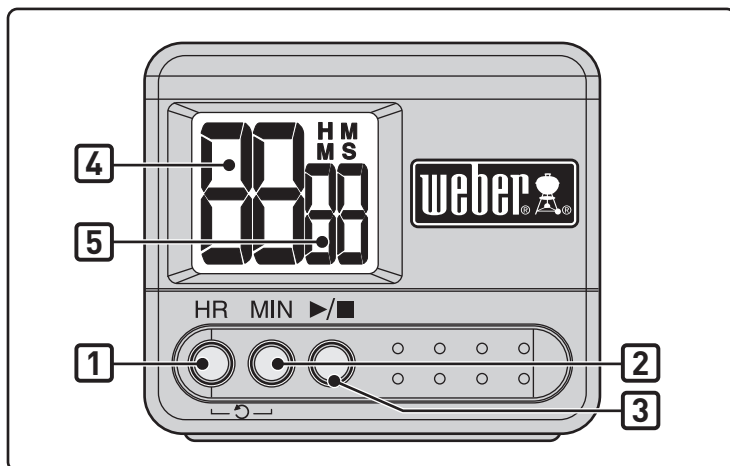
Pariston asettaminen:

- Avaa paristokotelo ajastimen takaa ristikantaruuvitalalla (6) kääntämällä ruuvia myötäpäivään.
- Poista paristokansi ajastimen takaa (7).
- Lisää tai vaihda AAA-paristot (8).
- Pane paristokotelon kansi paikoilleen.
- Lukitse kansi kääntämällä ruuvia vastapäivään ristikantaruuvitalalla.
- Kun paristot on asennettu, nestekidenäytössä näkyy (0000).

Huolto:

- Älä puhdista ajastinta hankaavilla tai syövyttävillä yhdisteillä. Ne saattavat naarmuttaa ajastinta tai syövyttää sen elektronisia piirejä.
- Älä altista ajastinta liialliselle voimalle, iskuille, pölylle, korkeille lämpötiloille tai kosteudelle. Ajastimeen saattaa tulla toimintavika, sen elektroniikan käyttöaika saattaa lyhentyä, sen paristo saattaa vioittua tai sen osat vääristyä.
- Älä koske ajastimen sisällä oleviin komponentteihin. Ajastimen takuu mitätöityy ja paristo ja sisäosat saattavat vaurioitua.
- Älä jätä ajastinta suoraan auringonpaisteeseen tai rankkasateeseen.
- Älä upota ajastinta veteen.

Suosittellemme ajastimen tuomista sisälle, kun sitä ei käytetä.



ONGELMA	TARKISTA	RATKAISU
Polttimen liekki näyttää keltaiselta tai oranssilta. Lisäksi tuntuu kaasun hajua.	Tarkasta, ettei polttimessa ole tukoksia.	Puhdista poltin. (Katso kohta Huolto)
Poltin ei syty tai liekki on matala.	Onko säiliön nestekaasu vähissä tai lopussa?	Vaihda nestekaasusäiliö.
	Onko polttoaineletku taipunut tai taittunut?	Suorista letku.
	Syttykö poltin tulitikulla?	Jos poltin sytty tulitikulla, tarkista sytytysjärjestelmä.
	Onko letkun ja poltinputken liitäntä hyvä?	Kiinnitä kaasuletku poltinputkeen mukana toimitetun metallisen lukkorengaan avulla. ⚠ VAARA: Älä käytä kaasusytytystä, jos lukkorengas puuttuu. Lukkorengaan puuttuminen voi aiheuttaa vakavan vamman tai kuoleman sekä omaisuusvahinkoja. Ota yhteys asiakaspalveluun, niin saat uuden lukkorengaan.
Polttimen liekki palaa epätasaisesti.	Onko poltin puhdas?	Puhdista poltin. (Katso kohta Huolto)
Poltin ei syty sytytysnappia painettaessa.	Varmista kaasun virtaus polttimissa yrittämällä sytytystä tulitikulla. Katso kohta "SYTYTYS KÄSIN."	Jos sytytys onnistuu tulitikulla, ongelma on sytytysjärjestelmässä. Katso kohta "ELEKTRONISEN SYTYTYSJÄRJESTELMÄN TOIMINTA."
	Onko uusi paristo asennettu?	Tarkista, että paristo on kunnossa ja oikein asennettu. Katso kohta "ELEKTRONISEN SYTYTTIMEN TARKASTUS."
	Onko johtimet kytketty oikein sytytysyksikköön?	Varmista, että johtimet on työnnetty oikein sytytysyksikön liittimiin. Katso kohta "ELEKTRONISEN SYTYTYSJÄRJESTELMÄN TOIMINTA."
	Onko uuden pariston ympärillä muovikääre?	Poista muovikääre.
Ajastin ei toimi.	Onko tuoret paristot asennettu?	Tarkista, että paristot ovat hyvässä kunnossa ja ne on asetettu oikein. Katso "AJASTIMEN TOIMINTA."
Kannen sisäpinta näyttää hilseilevän. (Muistuttaa hilseilevää maalia.)	Kyseessä on kiinni paistunut rasva, joka on muuttunut hiileksi ja kuoriutuu pois. TÄMÄ EI OLE VIKA.	Puhdista huolellisesti. (Katso kohta Puhdistus)
Jos ongelma ei ratkea näitä ohjeita noudattamalla, ota yhteys oman alueesi asiakaspalveluun. Yhteyshenkilöt ovat kotisivuillamme. Siirry osoitteeseen www.weber.eu.		

HUOLTO

Kun grilliä ei ole käytetty vähään aikaan, on suositeltavaa tehdä seuraavat turvallisuuteen vaikuttavat huoltotoimet.

- Tarkista letku ennen jokaista käyttöä lovien, murtumien, kulumien tai viiltojen varalta. Älä käytä grilliä, jos letku on viallinen. Vaihda letku ainoastaan WEBER-valtuutettuun vaihtoletkuun. **Ota yhteys oman alueesi asiakaspalveluun.**
Yhteystiedot ovat kotisivuillamme. Siirry osoitteeseen www.weber.com.

⚠ HUOMAA: Jos grillin kaasuletku on millään tavalla vahingoittunut tai vuotaa, älä käytä grilliä.

- Varmista, että polttimen liekkimalli on oikeanlainen (katso kohta Polttimen liekkimalli). Puhdista tarvittaessa tämän osan ohjeiden mukaisesti.
- Tarkista kaikki kaasuliitännät vuotojen varalta (katso kohta Kaasuvuotojen tarkistaminen).

SÄÄNNÖLLINEN PUHDISTAMINEN

Liikuttamalla säätötankoa (1) puolelta toiselle vaimennuslevyt pyyhkivät tuhkat grillin aukkojen läpi tuhkaneräysastiaan.

⚠ HUOMAA: Varmista ennen puhdistamista, että polttin on OFF-asennossa ja että grilli on jäähtynyt.

Älä suurena polttimen aukkoja puhdistuksen yhteydessä.

Polttimen puhdistaminen:

- Harjaa polttimen putken (2) ulkopuoli ja polttimen aukot (3) metalliharjalla.

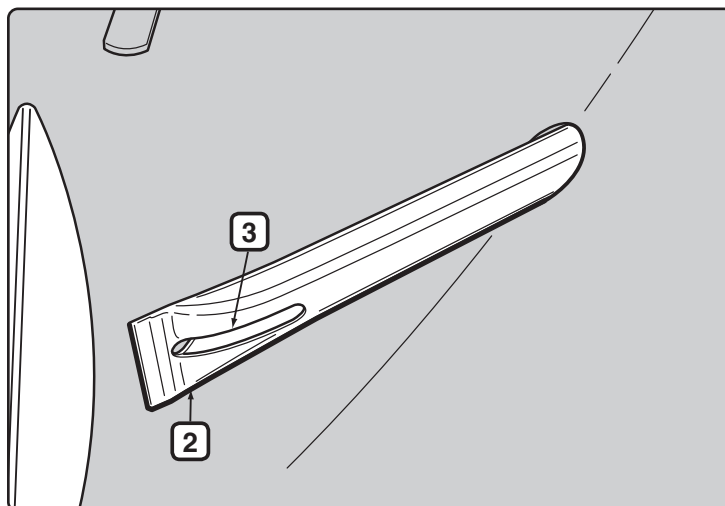
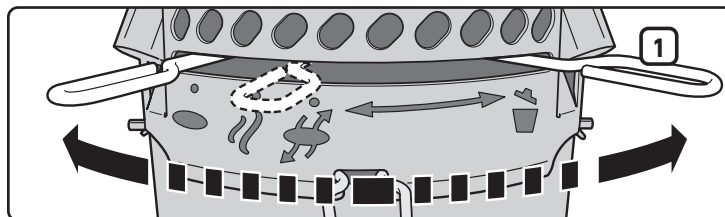
⚠ HUOMAA: Älä suurena polttimen aukkoja tai kaasusuutinta puhdistuksen yhteydessä.

Pallogrillin puhdistaminen:

- Kun kansi on lämmin, pyyhi sen sisäpinta talouspaperilla. Näin ehkäiset rasvan kertymisen.
- Puhdista ulkopinnat lämpimällä saippuavedellä ja huuhtelee hyvin puhtaalla vedellä.

Huolellinen puhdistaminen (vähintään kerran vuodessa):

- Poista tuhkat, kun brikitit ovat palaneet täysin loppuun.
- Irrota ritilät ja CHAR-BASKET-brikettisäiliöt.
- Pyyhi talouspaperilla. Pese miedolla puhdistusaineella ja vedellä. Huuhtelee hyvin puhtaalla vedellä ja pyyhi kuivaksi.



SÄILYTYS

- Kun Performer-grilliä säilytetään sisätiloissa, on kaasunsyöttö katkaistava ja nestekaasusäiliö siirrettävä ulkotiloissa säilytettäväksi hyvin tuuletetussa paikassa.
- Nestekaasusäiliöt täytyy säilyttää ulkotiloissa hyvin tuuletetussa tilassa poissa lasten ulottuvilta. Säiliöitä ei saa säilyttää rakennuksessa, autotallissa tai muussa suljetussa tilassa.
- Säilytyksen tai pitkän käyttämättömän ajan jälkeen grilli on tarkistettava kaasuvuotojen ja poltinputkien tukosten varalta ennen käyttöä (katso kohta Huolto).
- Varmista ennen käyttöä, että säiliön, letkun ja polttimen ympärillä olevassa tilassa ei ole roskia, jotka voisivat haitata palo- tai tuuletusilman virtausta.

HYÖNTEISVAROITUS

Performer-grilli on muiden ulkokäyttöisten kaasulaitteiden tavoin alttiina hämähäkeille ja muille hyönteisille. Ne saattavat pesiä polttimen suppilo-osassa (1), jolloin kaasu virtaa takaisin ulos ilmaluukusta.

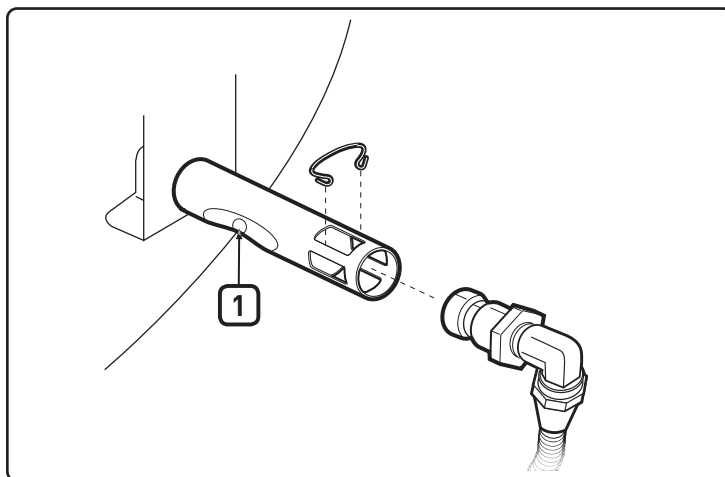
Tämä voi aiheuttaa tulipalon polttinputken ympärillä ja kupulevyn alla. Palo voi vaurioittaa grilliä vakavasti ja tehdä siitä turvattoman käyttäjä.

Suosittellemme painokkaasti, että tarkistat ja puhdistat polttinputken vähintään kerran vuodessa tai jos ilmenee seuraavia oireita:

- A) Kaasun haju polttimen liekkien näyttäessä hyvin keltaisilta ja laimeilta.
- B) Poltin tekee pokahtelevia ääniä.

⚠ VAARA

Jos näihin vikoihin ei puututa, saattaa syttyä tulipalo, joka voi aiheuttaa vakavia vammoja tai kuoleman sekä omaisuusvahinkoja.

**POLTTIMEN TARKASTUS JA PUHDISTUS**

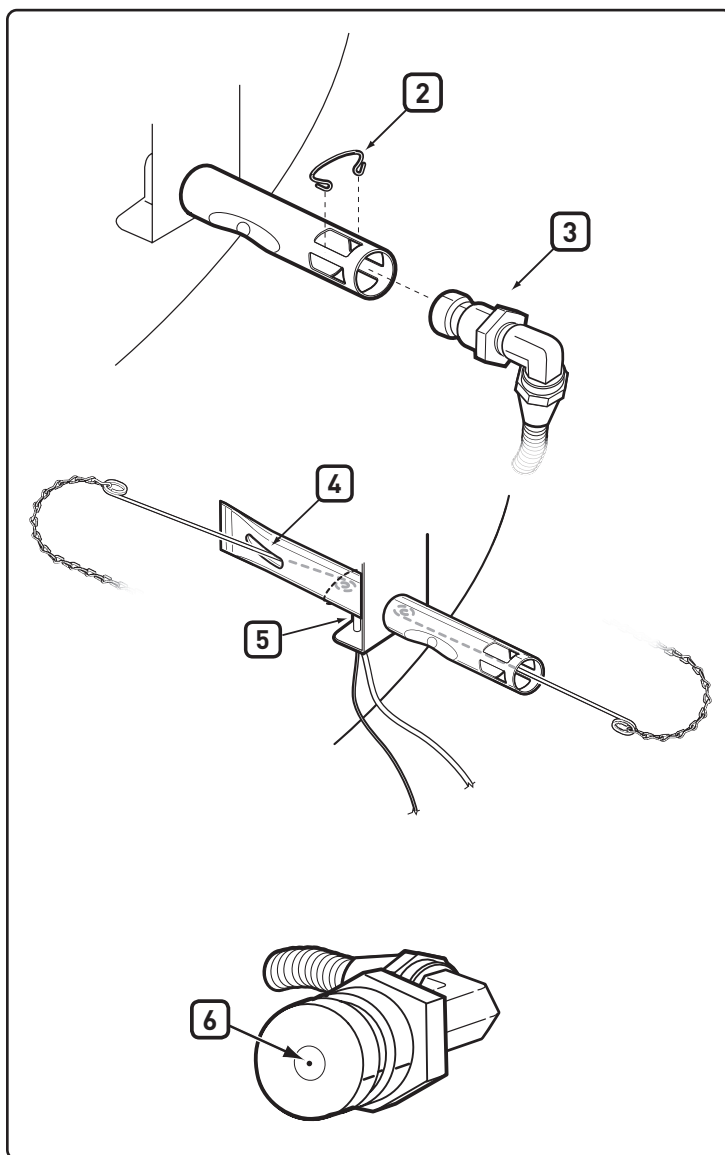
- A) Katkaise kaasunsyöttö (OFF).
- B) Irrota CHARBIN-säilytysastia.
- C) Irrota suuttimen pidike (2) ja letkuliitin (3) polttinputkesta.
- D) Katso polttimen sisään taskulampun avulla.
- E) Puhdista poltin sisältä metallilankaisella tulitikunpidikkeellä (asennettu Weber-logolevyn taakse).

Puhdista langalla ilmaluukun alue, suppilo-osa ja polttimen aukot (4) kuvun sisäpuolella. Ole huolellinen polttimen puhdistustyökalun sisään työntämisessä, jotta et vaurioita sytytys Elektrodiä (5).

- F) Tarkista taskulampulla, että tukoksia ei ole.
- G) Tarvittaessa letkuliittimen pinta voidaan puhdistaa metalliharjalla. Suutin (6) voidaan puhdistaa pienellä tapilla.

⚠ HUOMAA: Älä suurena suutinta puhdistuksen yhteydessä.

- H) Kokoa tekemällä vaiheet B ja C päinvastaisessa järjestyksessä.

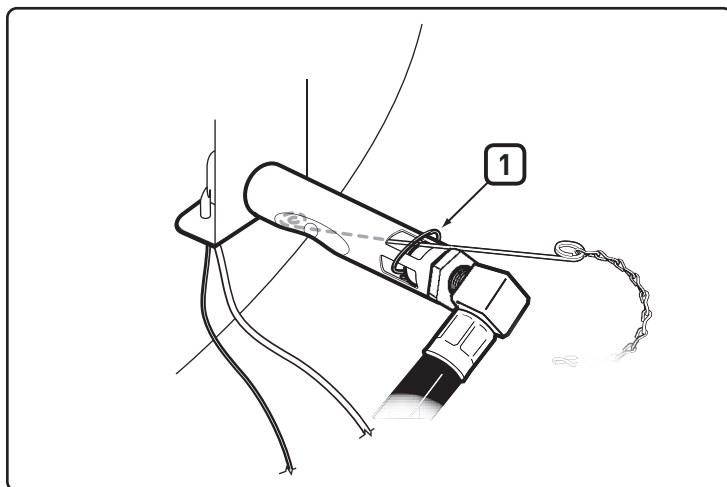


SÄÄNNÖLLINEN NOPEA PUHDISTAMINEN

Suosittellemme säännöllistä polttimen aukkojen ulkopuolen harjaamista metalliharjalla ja poltinputken puhdistamista paloilmän aukon kautta mukana toimitetun sytytystikun pidikkeen avulla

Tee tämä etsimällä polttimen paloilmän aukko (1) kuvun kannakkeen alta ja työntämällä työkalu kunkin paloilmän aukon läpi pyörittäen samalla työkalua. Ole huolellinen sytytystikun pidikkeen sisään työntämisessä, jotta et vaurioita sytytys Elektrodiä.

⚠ HUOMAA: Tämä puhdistus on hyvä tehdä useammin kevät- ja kesäkuukausina.



ELEKTRONISEN SYTYTYKSEN TARKASTUS

Jos elektroninen sytytysjärjestelmä ei sytytä, varmista kaasuvirtaus yrittämällä sytytystä tulitikulla. Katso kohta "KÄSIN SYTYTTÄMINEN". Jos sytytys onnistuu tulitikulla, ongelma on elektronisessa sytytysjärjestelmässä.

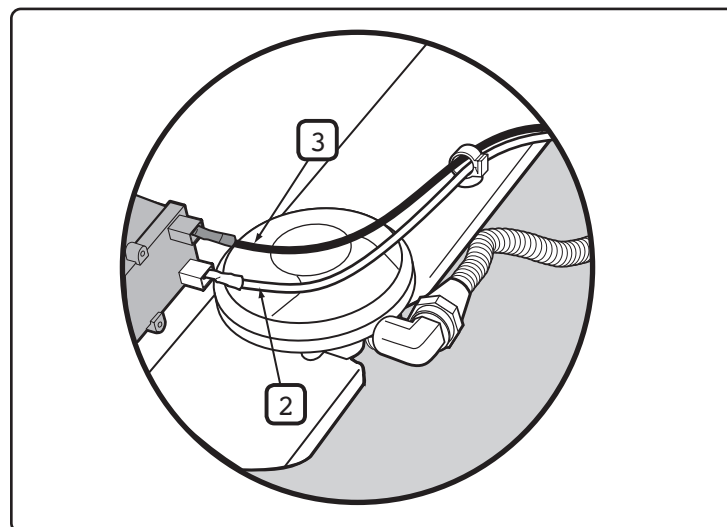
⚠ VAROITUS: Kaasusäätimen ja -venttiilin tulee olla pois-asennossa.

- Varmista, että AAA-paristo (vain alkali) on hyvässä kunnossa ja oikein asennettu (1). Joissakin paristoissa on muovikääre. Tämä muovi tulee poistaa. Älä sekoita tätä muovia pariston etikettiin.
- Varmista, että sekä valkoinen (2) että musta (3) sytytysjohto on kunnolla kiinni.
- Tarkista elektronisen sytytysnapin toiminta tarkkailemalla, kipinöikö poltin.
- Tarkista, onko sytytysyksikkö löysällä kehäksessä. Kiristä tarvittaessa. Katso kohdasta "Asennus" tarvittava toimenpide.

Vaihda Paristot Tarvittaessa

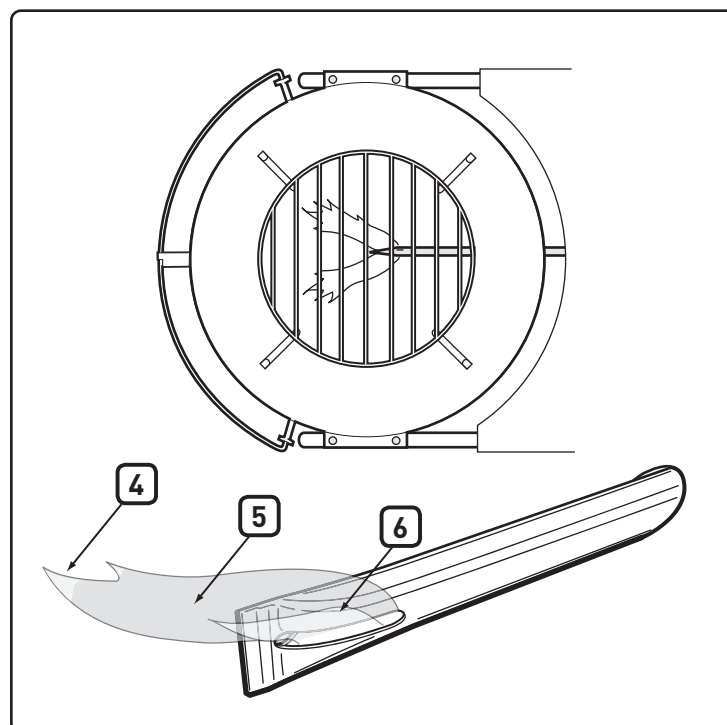
Käytä vain AAA-alkaliparistoja.

Jos elektroninen sytytysjärjestelmä ei edelleenkään sytytä poltinta, ota yhteys oman alueesi asiakaspalveluun. Yhteystiedot ovat kotisivuillamme. Siirry osoitteeseen www.weber.com.



POLTTIMEN LIEKKIMALLI

Polttimeen on säädetty tehtaalla oikea ilman ja kaasun seos. Asianmukaisessa liekkimallissa on kellertävä kärki (4), tummansininen keskiosa (5) ja vaaleansininen osa poltinputken (6) kohdalla. Jos liekki ei ole kuvatus kaltainen tai kuuluu pokahtelevia ääniä, noudata puhdistusohjeita.



⚠ HUOM: Tämän tuotteen turvallisuus on testattu ja se on saanut käyttöluvan vain tietyssä maassa. Katso lisätietoja pakkauksen maatiedoista.

Nämä osat on tarkoitettu kaasun siirtoon tai polttamiseen. Pyydä Weber-Stephen Products LLC -yhtiön asiakaspalveluosastolta lisätietoja aidoista Weber-Stephen Products LLC -varaosista.

⚠ VAROITUS: Älä yritä korjata kaasun säilytykseen tai polttamiseen tarkoitettuja osia ottamatta yhteyttä Weber-Stephen Products LLC -yhtiön asiakaspalveluun. Jos et noudata tähän tuotteeseen liittyviä varoituksia, saatat aiheuttaa tulipalon tai räjähdysen ja sitä kautta vakavia vammoja, kuoleman tai omaisuusvahinkoja.



WEBER-STEPHEN PRODUCTS LLC
www.weber.com

PERFORMER DELUXE

Guide d'utilisation du barbecue aux briquettes de charbon de bois

Veillez lire le manuel du propriétaire avant d'utiliser le barbecue.

Montage -  p 6

FR

LISEZ ATTENTIVEMENT CE GUIDE D'UTILISATION AVANT D'UTILISER VOTRE BARBECUE AVEC ALLUMAGE AU GAZ

⚠ DANGER

En cas d'odeur de gaz:

1. Fermez l'arrivée de gaz de l'appareil.
2. Éteignez toute flamme.
3. Ouvrez le couvercle.
4. Si l'odeur persiste, éloignez-vous de l'appareil et contactez immédiatement votre fournisseur de gaz ou les pompiers.

Une fuite de gaz risque de provoquer un incendie ou une explosion pouvant entraîner des blessures graves, voire mortelles, ou des dommages matériels.

⚠ AVERTISSEMENT:

1. Ne stockez et n'utilisez ni pétrole, ni autres gaz / liquides inflammables à proximité de cet appareil ou de tout autre appareil.
2. Ne conservez aucune bouteille de gaz non connectée à proximité de cet appareil ou de tout autre appareil.

⚠ AVERTISSEMENT: Avant d'utiliser ce barbecue, effectuez scrupuleusement toutes les vérifications d'étanchéité indiquées dans ce guide. Faites-le même si ce barbecue a été assemblé par le revendeur.

⚠ AVERTISSEMENT: N'essayez pas d'allumer

votre barbecue à gaz Weber avant d'avoir lu les instructions figurant dans la section "Allumage" du présent guide.

INFORMATIONS DESTINEES A L'INSTALLATEUR:

Ce guide doit être conservé par le propriétaire pour référence ultérieure.

A UTILISER UNIQUEMENT A L'EXTERIEUR.



LA NON-OBSERVATION DE CES ÉNONCÉS DE DANGER, D'AVERTISSEMENT ET DE PRÉCAUTIONS RISQUE D'ENTRAÎNER DE GRAVES LÉSIONS CORPORELLES OU LA MORT, VOIRE UN INCENDIE OU UNE EXPLOSION PROVOQUANT DES DOMMAGES MATÉRIELS.

- ⚠ Les SYMBOLES DE SÉCURITÉ (⚠) vous avertissent d'informations de SÉCURITÉ importantes.
- ⚠ Les mots DANGER, AVERTISSEMENT ou MISE EN GARDE seront utilisés avec le SYMBOLE DE SÉCURITÉ.
- ⚠ Le mot DANGER identifiera le danger le plus sérieux.
- ⚠ Veuillez lire toutes les informations de sécurité figurant dans le présent Manuel du propriétaire avant d'utiliser ce barbecue.

⚠ DANGERS

- ⚠ N'utilisez pas ce barbecue sous une structure combustible suspendue.
- ⚠ Un assemblage incorrect peut présenter un danger. Veuillez suivre les consignes de montage figurant dans le présent manuel. N'utilisez pas ce barbecue à moins que toutes les pièces ne soient installées. Assurez-vous que le cendrier a été correctement fixé aux pieds, sous la cuve du barbecue, ou que le cendrier de grande capacité a été mis en place avant d'allumer le barbecue.
- ⚠ Aucune matière combustible ne doit se trouver dans un rayon de 60 cm du dessus, du bas, de l'arrière ou des côtés du barbecue.
- ⚠ Ne vous penchez jamais au-dessus du barbecue lorsque vous allumez le brûleur à gaz.
- ⚠ N'utilisez pas le barbecue par grand vent.
- ⚠ Ne faites pas fonctionner le barbecue si une fuite de gaz est présente.
- ⚠ N'utilisez pas une flamme pour vérifier s'il y a une fuite de gaz.
- ⚠ Si le brûleur s'éteint en cours d'utilisation, fermez le robinet de la bouteille. Ôtez le couvercle et patientez cinq minutes avant d'essayer de rallumer le brûleur en suivant les consignes d'allumage présentées dans le présent manuel.
- ⚠ N'essayez pas de déconnecter le détendeur de gaz de la bouteille ou tout autre raccord de gaz pendant l'utilisation du barbecue.
- ⚠ Utilisez le détendeur de gaz propane liquide fourni avec votre barbecue uniquement.

⚠ AVERTISSEMENTS

- ⚠ Suivez les instructions relatives au branchement du détendeur pour votre type de barbecue à gaz.
- ⚠ N'entreposez pas une cartouche jetable de propane liquide de rechange ou débranchée sous ou à proximité de ce barbecue.
- ⚠ Maintenez en permanence le barbecue sur une surface stable et de niveau, loin de toute matière combustible.
- ⚠ Ne mettez pas la housse du barbecue ou toute matière inflammable sur ou à l'intérieur du compartiment de rangement situé sous le barbecue.
- ⚠ Ôtez toujours le couvercle avant d'allumer le brûleur à gaz, que ce soit manuellement ou à l'aide de l'allumeur. Ne remettez pas le couvercle en place avant que le charbon ne soit complètement enflammé.
- ⚠ Utilisez des ustensiles à barbecue appropriés dotés de longs manches, résistants à la chaleur.
- ⚠ Certains modèles peuvent inclure la fonctionnalité porte-couvercle TUCK-AWAY. Le porte-couvercle TUCK-AWAY permet de ranger le couvercle pendant que vous vérifiez la cuisson de vos aliments ou que vous les retournez. N'utilisez pas le porte-couvercle TUCK-AWAY comme poignée pour soulever ou déplacer le barbecue. Ne posez pas un couvercle chaud sur un revêtement de sol ou une pelouse. Ne suspendez pas le couvercle à la poignée de la cuve.
- ⚠ Maniez et entreposez les allumeurs électriques avec précaution.
- ⚠ Maintenez les câbles électriques et les câbles d'alimentation à l'écart des surfaces chaudes du barbecue et des zones de passage.
- ⚠ Après une certaine période de stockage et/ou de non utilisation, inspectez le barbecue afin de détecter toute fuite de gaz ou une obstruction au niveau du brûleur avant d'utiliser l'appareil. Voir les consignes du présent manuel pour connaître les procédures correctes.
- ⚠ La conversion ou la tentative d'utilisation de gaz naturel dans ce barbecue présente des dangers et entraînera l'annulation de la garantie.
- ⚠ Une cartouche de propane liquide bosselée ou rouillée peut être dangereuse et doit être inspectée par votre fournisseur de propane liquide. N'utilisez pas une cartouche jetable de propane liquide dont le robinet est endommagé.
- ⚠ Même si votre cartouche jetable de propane liquide paraît vide, elle peut encore contenir du gaz. La cartouche jetable de propane liquide doit être transportée et entreposée en conséquence.
- ⚠ Portez des maniques ou gants thermorésistants pour barbecue (conformes à la norme EN 407, Chaleur de contact niveau 2 ou supérieur) pour cuire, ajuster les clapets de ventilation, ajouter du charbon et manipuler le thermomètre ou le couvercle.
- ⚠ Si vous voyez, sentez ou entendez du gaz qui s'échappe de la cartouche jetable de propane liquide :
 1. Éloignez-vous de la cartouche jetable de propane liquide.
 2. Ne tentez pas de remédier à la situation vous-même.
 3. Appelez les pompiers.

⚠ MISES EN GARDE

- ⚠ Le fait de tapisser le fond de la cuve avec du papier d'aluminium entraînera une obstruction du débit d'air. Utilisez à la place un bac de récupération du jus de viande lorsque vous cuisinez avec la méthode de cuisson indirecte.
- ⚠ L'utilisation d'objets coupants pour nettoyer la grille de cuisson ou enlever les cendres risque d'endommager la surface de la grille/du cendrier.
- ⚠ L'utilisation de produits d'entretien abrasifs sur les grilles de cuisson ou sur le barbecue risque d'endommager la surface de la grille/du barbecue.
- ⚠ Le barbecue doit être nettoyé soigneusement à intervalles réguliers.

Merci d'avoir acheté ce produit WEBER. 1415 S. Roselle Road, Palatine, Illinois 60067 USA (« WEBER ») est fier de vous fournir un produit sécurisé, endurant et fiable. Cette garantie volontaire de WEBER vous est fournie à titre gracieux. Elle contient des informations dont vous aurez besoin pour faire réparer votre produit WEBER dans le cas peu probable d'une panne ou d'un défaut.

En vertu des législations applicables, le client dispose de plusieurs droits au cas où le produit serait défectueux. Ces droits comprennent des services supplémentaires ou de remplacement, une réduction du prix d'achat et une indemnisation. Dans l'Union européenne, par exemple, ces droits comprennent une garantie légale de deux ans commençant à la date de la remise du produit. Ces droits et autres droits légaux ne sont pas affectés par les dispositions de la garantie. En fait, cette garantie accorde des droits supplémentaires au Propriétaire qui sont indépendants des dispositions légales de la garantie.

GARANTIE VOLONTAIRE DE WEBER

WEBER garantit, à l'acheteur du produit WEBER (ou dans le cas d'un cadeau ou d'une situation promotionnelle, la personne pour laquelle le produit a été acheté comme cadeau ou comme élément de promotion) que le produit WEBER est sans défaut de matériel et de main d'œuvre pour la ou les périodes de temps spécifiées ci-dessous s'il est monté et utilisé en conformité avec les instructions fournies dans le Guide du Propriétaire accompagnant le produit. (Remarque : si vous perdez ou égarez votre Guide du Propriétaire WEBER, un guide de remplacement est disponible en ligne sur www.weber.com ou sur le site Internet spécifique du pays vers lequel l'utilisateur peut être redirigé.) Dans le cadre d'une utilisation et d'un entretien normal pour un seul foyer, WEBER accepte dans le cadre de cette garantie de réparer ou de remplacer les pièces défectueuses pendant les périodes, les limitations et les exclusions applicables répertoriées ci-dessous. **DANS LE CADRE D'UNE UTILISATION ET D'UN ENTRETIEN NORMAL POUR UN SEUL FOYER, WEBER ACCEPTE DANS LE CADRE DE CETTE GARANTIE DE RÉPARER OU DE REMPLACER LES PIÈCES DÉFECTUEUSES PENDANT LES PÉRIODES, LES LIMITATIONS ET LES EXCLUSIONS APPLICABLES RÉPERTORIÉES CI-DESSOUS.**

RESPONSABILITÉS DU PROPRIÉTAIRE DANS LE CADRE DE CETTE GARANTIE

Afin d'assurer une couverture de garantie sans soucis, il est important (mais pas obligatoire) d'enregistrer votre produit WEBER en ligne sur www.weber.com ou sur le site Internet spécifique du pays vers lequel l'utilisateur peut être redirigé.) Veuillez aussi conserver votre récépissé d'achat et/ou la facture. L'enregistrement de votre produit WEBER confirme votre couverture de garantie et fournit un lien direct entre vous et WEBER au cas où nous aurions besoin de vous contacter.

La garantie ci-dessous ne s'applique que si le Propriétaire prend soin d'une manière raisonnable de son produit WEBER en respectant toutes les instructions de montage, les instructions d'utilisation et l'entretien préventif comme indiqué dans le Guide du Propriétaire ci-joint, à moins que le Propriétaire puisse prouver que le défaut ou la panne sont indépendants du non-respect des obligations précédemment mentionnées. Si vous vivez dans une région côtière ou si votre produit se situe à proximité d'une piscine, l'entretien comprend le lavage et le rinçage réguliers des surfaces externes comme indiqué dans le Guide du Propriétaire ci-joint.

GESTION DE LA GARANTIE / EXCLUSION DE LA GARANTIE

Si vous pensez avoir une pièce couverte par cette garantie limitée, veuillez contacter le Service clientèle de WEBER en utilisant les informations de contact fournies sur notre site Internet (www.weber.com) ou sur le site Internet spécifique du pays vers lequel l'utilisateur peut être redirigé.) WEBER, après enquête, réparera ou remplacera (à son choix) une pièce défectueuse couverte par cette garantie. Dans l'éventualité où le remplacement ou la réparation ne serait pas possible, WEBER peut décider (à son choix) de remplacer le barbecue concerné par un nouveau barbecue d'une valeur égale ou supérieure. WEBER peut vous demander de renvoyer les pièces à des fins d'inspection, les frais de transport devant être prépayés.

Cette GARANTIE est annulée s'il existe des dommages, des détériorations, des décolorations et/ou de la rouille pour lesquels WEBER n'est pas responsable et qui sont provoqués par :

- l'abus, la mauvaise utilisation, l'altération, la modification, la mauvaise application, le vandalisme, la négligence, le montage ou l'installation incorrecte et l'incapacité à effectuer correctement l'entretien normal et de routine ;
- les insectes (tels que les araignées) et les rongeurs (tels que les écureuils), y compris, mais non limité à l'endommagement des brûleurs et/ou des tuyaux de gaz ;
- l'exposition à l'air marin et/ou à des sources chlorées telles que les piscines et les bains chauds / spas ;
- des conditions météorologiques sévères comme la grêle, les ouragans, les tremblements de terre, les tsunamis ou les surtensions, les tornades ou les fortes tempêtes.

L'utilisation et/ou l'installation des pièces sur votre barbecue WEBER qui ne sont pas de vraies pièces WEBER annuleront cette Garantie et tous les dommages en résultant ne sont pas couverts par cette Garantie. Toute conversion d'un barbecue à gaz non autorisée par WEBER et non effectuée par un technicien d'entretien agréé de WEBER annulera cette Garantie.

PÉRIODES DE GARANTIE DES PRODUITS

Cuve, couvercle et diffuseur central :
10 ans, contre la perforation

Système de nettoyage ONE-TOUCH :
5 ans, contre la perforation

Composantes en plastique :
5 ans, à l'exception des pertes d'éclat ou la décoloration

Toutes les autres pièces :
2 ans

AVIS DE NON-RESPONSABILITÉ

HORMIS CETTE GARANTIE ET CES AVIS DE NON-RESPONSABILITÉ COMME DÉCRITS DANS CETTE DÉCLARATION DE GARANTIE, IL N'EXISTE AUCUNE AUTRE DÉCLARATION DE RESPONSABILITÉ POUR TOUTE GARANTIE SUPPLÉMENTAIRE OU VOLONTAIRE DONNÉE PAR LES PRÉSENTES ALLANT AU-DELÀ DE LA RESPONSABILITÉ LÉGALE S'APPLIQUANT À WEBER. DE MÊME, LA PRÉSENTE DÉCLARATION DE GARANTIE NE SE LIMITE PAS OU N'EXCLUT PAS LES SITUATIONS OU LES RÉCLAMATIONS POUR LESQUELLES WEBER A UNE RESPONSABILITÉ OBLIGATOIRE COMME STIPULÉ PAR LA LOI.

AUCUNE GARANTIE NE SERA APPLICABLE APRÈS LES PÉRIODES APPLICABLES À CETTE GARANTIE. AUCUNE AUTRE GARANTIE DONNÉE PAR LA MOINDRE PERSONNE, Y COMPRIS UN REVendeur OU REPRÉSENTANT EN CE QUI CONCERNE N'IMPORTE QUEL PRODUIT (TEL QUE TOUTES « EXTENSIONS DE GARANTIES ») N'ENGAGERA WEBER. LE SEUL RECOURS DE CETTE GARANTIE EST LA RÉPARATION OU LE REMPLACEMENT DE LA PIÈCE OU DU PRODUIT.

EN AUCUN CAS DANS LE CADRE DE CETTE GARANTIE VOLONTAIRE, TOUTE COMPENSATION DE N'IMPORTE QUEL GENRE NE POURRA ÊTRE SUPÉRIEURE AU MONTANT DU PRIX D'ACHAT DU PRODUIT WEBER VENDU.

VOUS ASSUMEZ LE RISQUE ET LA RESPONSABILITÉ POUR LA PERTE, LE DOMMAGE OU LES BLESSURES À VOUS ET VOTRE PROPRIÉTÉ ET/OU AUX AUTRES ET À LEURS PROPRIÉTÉS RÉSULTANT DE LA MAUVAISE UTILISATION OU DE L'ABUS DU PRODUIT OU DU NON-RESPECT DES INSTRUCTIONS FOURNIES PAR WEBER DANS LE GUIDE DU PROPRIÉTAIRE CI-JOINT.

LES PIÈCES ET LES ACCESSOIRES REMPLACÉS DANS LE CADRE DE CETTE GARANTIE LIMITÉE NE SONT GARANTIS QUE POUR LA DURÉE RESTANTE PRÉCÉDEMMENT MENTIONNÉE DE LA GARANTIE D'ORIGINE.

CETTE GARANTIE NE S'APPLIQUE QU'À UNE UTILISATION PAR UN SEUL FOYER PRIVÉ ET NE S'APPLIQUE PAS AUX BARBECUES WEBER UTILISÉS DANS UN ENVIRONNEMENT COMMERCIAL, COMMUNAL OU À PLUSIEURS FOYERS TELS QUE LES RESTAURANTS, LES HÔTELS, LES CENTRES DE VACANCES ET LES PROPRIÉTÉS LOUÉES.

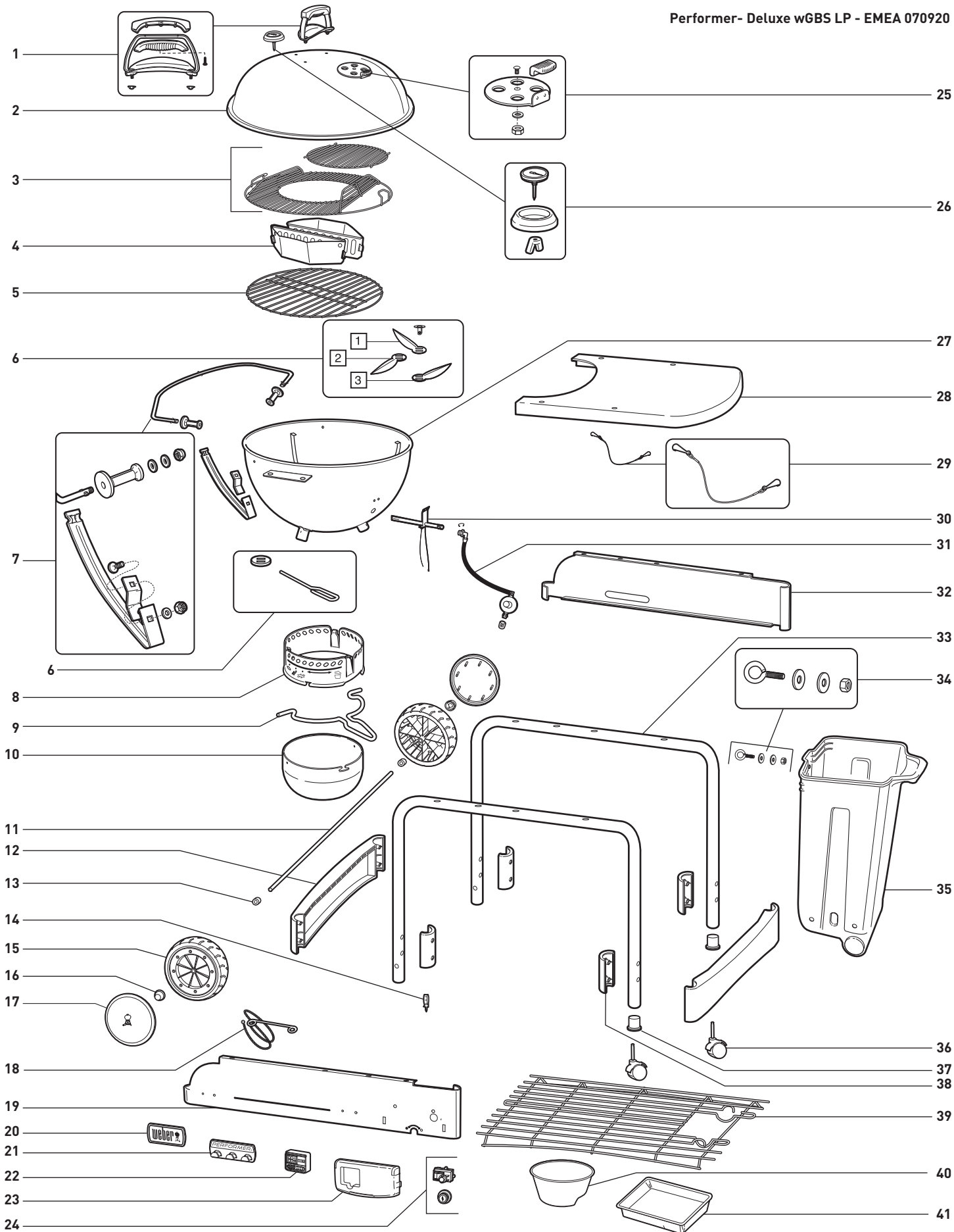
WEBER PEUT DE TEMPS À AUTRE CHANGER LE DESIGN DE SES PRODUITS. AUCUNE DISPOSITION CONTENUE DANS CETTE GARANTIE NE DOIT ÊTRE ENTENDUE COMME OBLIGEANT WEBER À INCORPORER DE TELLES MODIFICATIONS DE DESIGN DANS DES PRODUITS PRÉCÉDEMMENT FABRIQUÉS, DE MÊME QUE DE TELS CHANGEMENTS NE DOIVENT PAS ÊTRE CONSIDÉRÉS COMME L'ADMISSION QUE LES DESIGNS PRÉCÉDENTS ÉTAIENT DÉFECTUEUX.

REPLACEMENT DE L'ENSEMBLE ROBINET, FLEXIBLE ET DÉTENDEUR

⚠ AVIS IMPORTANT : Il est vivement conseillé de remplacer l'ensemble flexible de gaz de votre barbecue à gaz Weber tous les 5 ans. La réglementation de certains pays impose un intervalle de remplacement inférieur à 5 ans. Le cas échéant, la réglementation nationale est prioritaire.

Pour le remplacement des ensembles robinet, flexible et détendeur, contactez votre revendeur Weber. Pour connaître les coordonnées du revendeur le plus proche, rendez-vous sur notre site web, à l'adresse suivante : www.weber.com.

PAYS		TYPE & PRESSION DU GAZ
Danemark, Suède, Norvège, Finlande, Angleterre, Pays-Bas, Royaume-Uni, France, Espagne, Portugal, Belgique, Irlande, Grèce, Luxembourg, Italie, Allemagne, Autriche		I _{3B/P} - 29 mbar
INFORMATIONS RELATIVES A LA CONSOMMATION		
Allumage du brûleur. Max.		
Mélange Propane / Butane	kW	g/h
	2,6	192



1. Ensemble de poignée du couvercle	15. Roue	CHARBIN
2. Couvercle	16. Cache-moyeux	30. Ensemble du brûleur
3. Grille de cuisson GBS	17. Cache de la roue	31. Tuyau et détendeur avec orifice et pince
4. CHAR-BASKETS	18. Porte-allumettes	32. Panneau arrière
5. Grille à charbon de bois	19. Panneau avant	33. Pied
6. Système de nettoyage ONE-TOUCH	20. Plaque de logo	34. Matériel CHARBIN
7. Ensemble porte-couvercle et support du couvercle inférieur TUCK-AWAY	21. Support pour ustensiles	35. CHARBIN
8. Anneau du cendrier	22. Minuteur de cuisson numérique	36. Roulette à verrouillage
9. Poignée du cendrier	23. Couvercle de la commande du gaz	37. Douille de roulette
10. Cendrier de grande capacité	24. Bouton d'allumage/Module d'allumage	38. Bride de support de pied
11. Axe	25. Ensemble du registre du couvercle	39. Grille inférieure
12. Support du pied	26. Ensemble du thermomètre	40. Doseur à charbon de bois
13. Entretoise de roue	27. Cuve	41. Bac de récupération jetable
14. Support du câble d'allumage	28. Table	
	29. Chaîne de retenue	

Si vous avez des questions ou avez besoin de conseils sur le barbecue ou sur son utilisation en toute sécurité, veuillez consulter le site www.weber.com.

- Ces instructions décrivent les conditions minimales requises pour l'assemblage de votre barbecue WEBER. Veuillez les lire attentivement avant de vous servir du barbecue WEBER. Un assemblage incorrect peut présenter un danger.
- Ne doit pas être utilisé par des enfants.
- Ce barbecue WEBER est conçu pour une utilisation avec un mélange de gaz propane ou de propane/butane uniquement. N'utilisez pas de gaz naturel. Le robinet et le détendeur sont conçus pour une utilisation avec un mélange de gaz propane ou de propane/butane uniquement.
- Ce barbecue WEBER n'est pas destiné à une utilisation commerciale.
- La consommation d'alcool et/ou de médicaments, prescrits ou en vente libre, peut compromettre la capacité du consommateur à assembler correctement l'appareil ou à l'utiliser en toute sécurité.

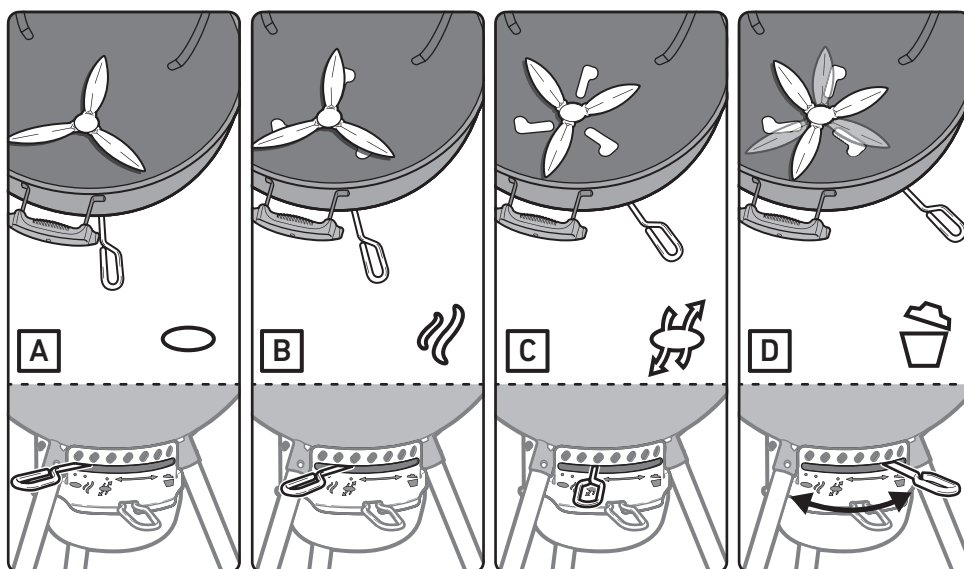
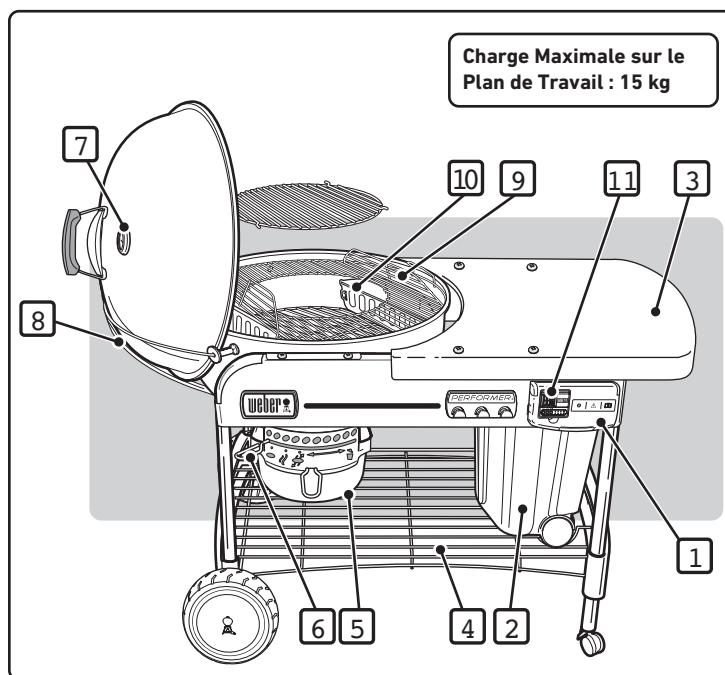
CARACTÉRISTIQUES

- A) Le système d'allumage au gaz exclusif TOUCH-N-GO facilite l'allumage des briquettes de charbon de bois (1). Il vous suffit d'appuyer et de maintenir enfoncé le bouton et le système allume le brûleur à gaz et le charbon de bois à votre place. Il n'est plus nécessaire d'utiliser ou de conserver d'allume-feu liquide dangereux, et fini l'arrière-goût laissé par ce type de produit sur les aliments.
- B) La cuve de stockage CHARBIN peut contenir un sac de charbon de bois d'un poids maximal de 13,7 kg (2). Le sac de charbon de bois doit être placé directement dans la cuve de stockage CHARBIN.
- C) Le plan de travail en métal constitue une excellente aire de travail et recouvre la cuve de stockage CHARBIN pour garder les briquettes au sec (3).
- D) Étagère de rangement inférieure pratique (4).
- E) Le cendrier de grande capacité s'enclenche, ainsi les cendres ne risquent pas de s'envoler (5).
- F) Le système de nettoyage ONE-TOUCH élimine facilement les cendres, ou ouvre et ferme les aérations (6).
- G) Le thermomètre gère la température de cuisson à l'intérieur du barbecue (7).
- H) Le couvercle TUCK-AWAY se range dans le porte-couvercle en acier inoxydable et sert d'écran de protection lors de l'allumage des briquettes (8).
- I) Les volets d'accès articulés de la grille de cuisson articulée GOURMET BBQ SYSTEM (GBS) (9), s'ouvrent en pivotant sur la grille pour faciliter l'ajout des briquettes ou des copeaux de bois pendant la cuisson. Comprend un insert pour un usage quotidien. Adapté à la gamme complète d'accessoires GOURMET BBQ SYSTEM.
- J) Les porte-charbon de bois CHAR-BASKET permettent une flexibilité de cuisson indirecte ou directe et concentrée pratique avec les copeaux de bois ou le charbon de bois (10).
- K) Minuteur de cuisson numérique (11).

- Ce barbecue WEBER n'est pas conçu pour être utilisé comme appareil de chauffage et ne doit jamais servir à cette fin.
- Ne laissez pas le barbecue WEBER sans surveillance. Éloignez toujours les enfants et les animaux de compagnie du barbecue WEBER.
- Toute pièce scellée par le fabricant ne doit pas être modifiée par l'utilisateur.
- Toute modification de l'appareil peut présenter un danger.
- Débranchez la bouteille si : 1) elle est vide ; 2) le barbecue est entreposé dans un garage ou une autre zone confinée ; 3) l'on doit transporter le barbecue.

⚠ Ne déplacez pas l'appareil pendant l'utilisation. Attendez que le grill ait refroidi avant de le déplacer.

⚠ Cet appareil n'est pas conçu pour servir d'appareil de chauffage et ne doit jamais être utilisé à cette fin.



FR A - Événets fermés B - Cuisson lente à basse température C - Événets ouverts D - Nettoyage des cendres

⚠ AVERTISSEMENT : Si vous utilisez du liquide allume-feu, inspectez toujours le cendrier avant d'allumer. Du liquide peut s'accumuler dans le cendrier et prendre feu sous la cuve. Éliminez tout liquide allume-feu du cendrier avant d'allumer le charbon de bois.

RACCORDEMENT DE LA CARTOUCHE DE GAZ A VALVE VISSABLE

Utilisez une cartouche jetable à valve vissable d'une capacité minimale de 170g et d'une capacité maximale de 350g. La bouteille doit être dotée d'une valve EN417 comme l'indique l'illustration. Vous pouvez utiliser le type de cartouche CG1750, CG3500, Multigas 300 ou Express 555.

⚠ ATTENTION : Utilisez des bouteilles sur lesquelles figure la mention gaz Propane ou mélange Propane / Butane uniquement.

Vissez la cartouche jetable sur le détendeur et tournez dans le sens des aiguilles d'une montre jusqu'à ce que l'ensemble soit étanche.

⚠ AVERTISSEMENT : Serrez manuellement. Si vous serrez de manière excessive, vous risquez d'endommager le couplage du détendeur et de provoquer une fuite ou un manque de gaz.

RECHERCHEZ LES FUITES DE GAZ EVENTUELLES :

⚠ DANGER

Ne recherchez pas les fuites de gaz à l'aide d'une flamme. Assurez-vous qu'aucune étincelle ou flamme ne peut se produire à proximité de la zone pendant la procédure de vérification de l'étanchéité. Les étincelles et les flammes provoqueraient un incendie ou une explosion, ce qui risquerait d'être à l'origine de blessures graves, voire mortelles, ainsi que de dommages matériels.

Vous aurez besoin d'une cartouche de gaz à valve vissable, d'une solution savonneuse,

et d'un chiffon ou d'une brosse.

- A) Mélangez l'eau et le savon.
- B) Tournez le bouton de contrôle du gaz dans le sens inverse des aiguilles d'une montre.
- C) Mouillez le raccord avec la solution savonneuse afin de vérifier l'étanchéité en recherchant des bulles. La présence de bulles indique une fuite de gaz.

VERIFIEZ LES POINTS SUIVANTS :

- A) Raccord du détendeur et de la cartouche de gaz.

⚠ AVERTISSEMENT : En cas de fuite au niveau du raccord (1), retirez la cartouche de gaz à valve vissable. Ne faites pas fonctionner le barbecue. Utilisez une autre cartouche de gaz à valve vissable et vérifiez à nouveau l'étanchéité à l'aide de la solution savonneuse. Si la fuite persiste après avoir resserré la cartouche de gaz à valve vissable, fermez le gaz. N'UTILISEZ PAS LE BARBECUE. Contactez votre revendeur. Pour obtenir les coordonnées de notre revendeur le plus proche, rendez-vous sur notre site Web. Rendez-vous sur le site Web www.weber.com

VERIFIEZ LES POINTS SUIVANTS :

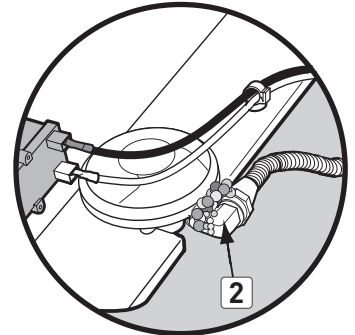
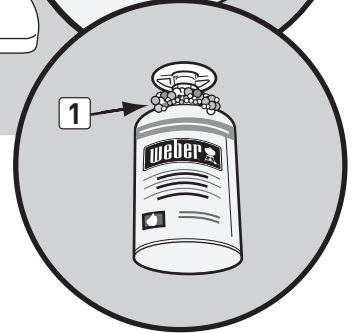
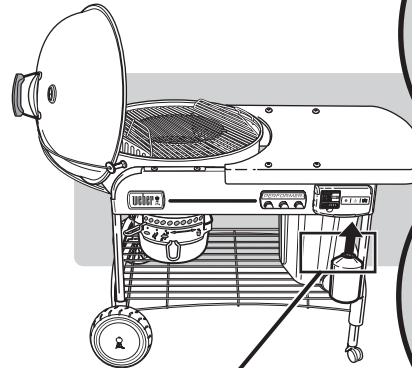
- B) Raccords entre le robinet et le détendeur.

⚠ AVERTISSEMENT : En cas de fuite au niveau du raccord (2), fermez le robinet de gaz. N'UTILISEZ PAS LE BARBECUE. Contactez votre revendeur Weber. Pour obtenir les coordonnées de notre revendeur le plus proche, rendez-vous sur notre site Web. Consultez le site www.weber.com

Après avoir vérifié l'absence de fuite, coupez l'alimentation de gaz à la source et rincez les raccords à l'eau claire.

⚠ DANGER

Ne stockez pas de cartouche de gaz à valve vissable sous ou à proximité de l'appareil.



ALLUMAGE

⚠ DANGER

Soulevez le couvercle avant de procéder à l'allumage. N'utilisez pas de liquides inflammables tels qu'un liquide d'allumage, du pétrole ou de l'alcool ou tout autre type de charbon de bois auto-inflammable, même lorsque vous allumez le barbecue manuellement. Vous risqueriez des blessures graves, voire mortelles.

A) Faites basculer le couvercle avant d'allumer le gaz.

⚠ DANGER : Vous risqueriez de créer une accumulation de gaz qui peut provoquer un incendie ou une explosion, qui peut entraîner des blessures graves, voire mortelles, ou des dommages matériels.

B) Ouvrez les aérations inférieures de la cuve (1).

C) Placez les CHAR-BASKETS au-dessus du brûleur (2).

D) Appuyez sur les encoches sur le cache du contrôle du gaz (3) et ouvrez-le en le soulevant.

E) Tournez le bouton d'allumage du gaz dans le sens inverse des aiguilles d'une montre, au moins un tour complet (4).

⚠ AVERTISSEMENT : Ne vous penchez pas au-dessus du barbecue pendant l'allumage.

F) Appuyez sur le bouton d'allumage et maintenez-le enfoncé jusqu'à ce que le brûleur s'allume (5).

⚠ ATTENTION : Il peut être difficile de voir la flamme en plein jour.

G) Une fois les briquettes de charbon de bois (du bas) allumées (environ 5 minutes), fermez le robinet de réglage de gaz (sens des aiguilles d'une montre).

⚠ ATTENTION : Assurez-vous que le cache est complètement fermé.

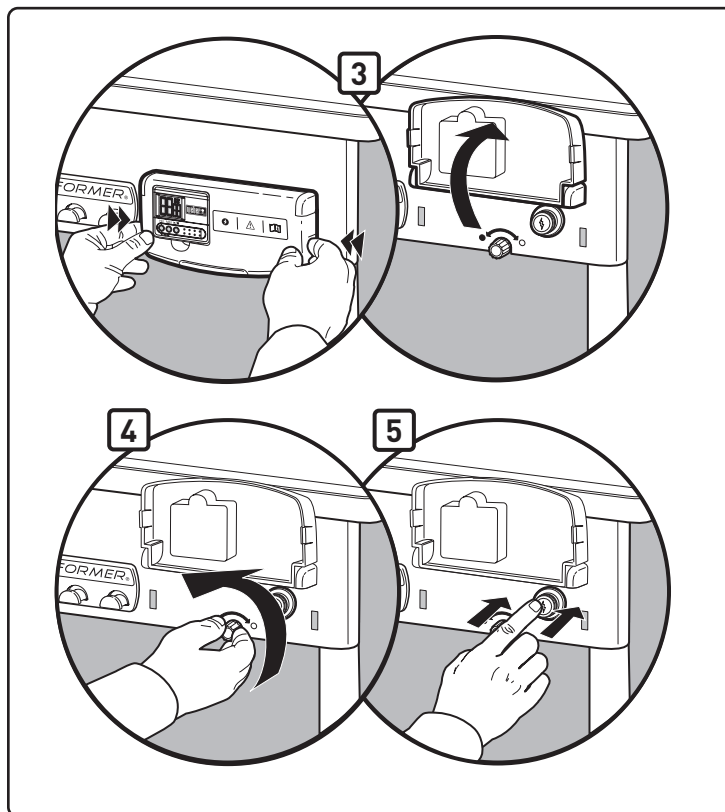
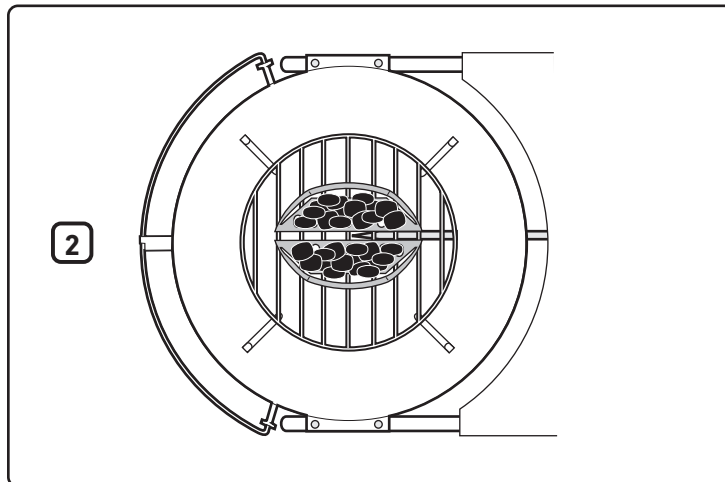
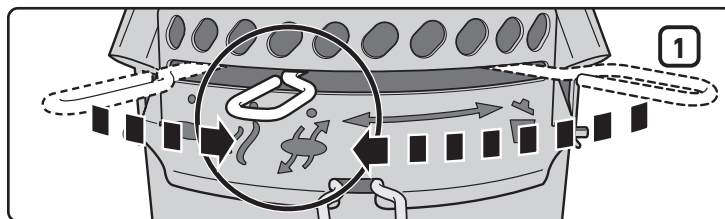
Remarque - La durée de vie de la bouteille de gaz diminue si cette dernière est utilisée de manière prolongée.

H) Vous pouvez commencer la cuisson lorsque les briquettes sont recouvertes d'une fine couche de cendres grises (environ 25-30 minutes).

POUR ETEINDRE LE BARBECUE

Tournez le robinet de réglage de gaz (dans le sens des aiguilles d'une montre) jusqu'à ce qu'il soit fermé.

⚠ Portez des maniques ou gants pour barbecue (conformes à la norme EN 407, Chaleur de contact niveau 2 ou supérieur) et utilisez une pince pour repositionner les CHAR-BASKET au-dessus du brûleur.



ALLUMAGE MANUEL

⚠ **AVERTISSEMENT** : N'essayez pas d'allumer le barbecue manuellement sans porte-allumette.

⚠ **DANGER**

Soulevez le couvercle avant de procéder à l'allumage. N'utilisez pas de liquides inflammables tels qu'un liquide d'allumage, du pétrole ou de l'alcool ou tout autre type de charbon de bois auto-inflammable, même lorsque vous allumez le barbecue manuellement. Vous risqueriez des blessures graves, voire mortelles.

A) Faites basculer le couvercle avant d'allumer le gaz.

⚠ **DANGER** : Vous risqueriez de créer une accumulation de gaz qui peut provoquer un incendie ou une explosion, qui peut entraîner des blessures graves, voire mortelles, ou des dommages matériels.

B) Ouvrez les aérations inférieures de la cuve (1).

C) Eloignez les CHAR-BASKETS du brûleur (2).

D) Appuyez sur les encoches sur le cache du contrôle du gaz (3) et ouvrez-le en le soulevant.

E) Mettez une allumette dans le porte-allumette. Allumez l'allumette.

F) Tournez le bouton d'allumage du gaz dans le sens inverse des aiguilles d'une montre, au moins un tour complet (4).

G) Placez la flamme de l'allumette à l'arrière de la fente du brûleur (5).

⚠ **AVERTISSEMENT** : Ne placez pas votre main directement au-dessus du brûleur lorsque vous procédez à un allumage manuel.

⚠ **AVERTISSEMENT** : Ne vous penchez pas au-dessus du barbecue pendant l'allumage.

⚠ **ATTENTION** : Il peut être difficile de voir la flamme en plein jour.

H) Mettez des gants pour barbecue et utilisez des pinces pour replacer les CHAR-BASKETS au-dessus du brûleur.

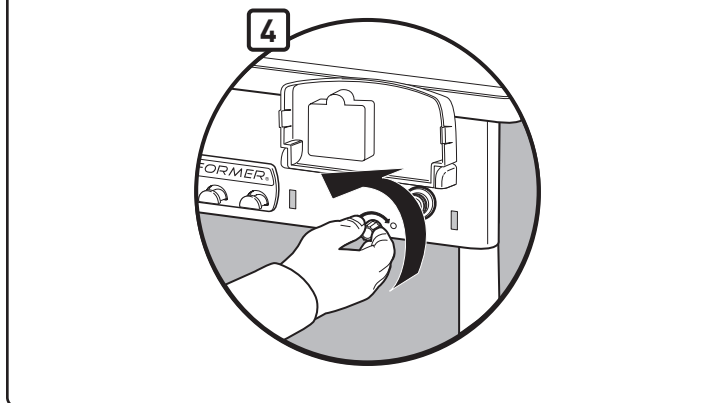
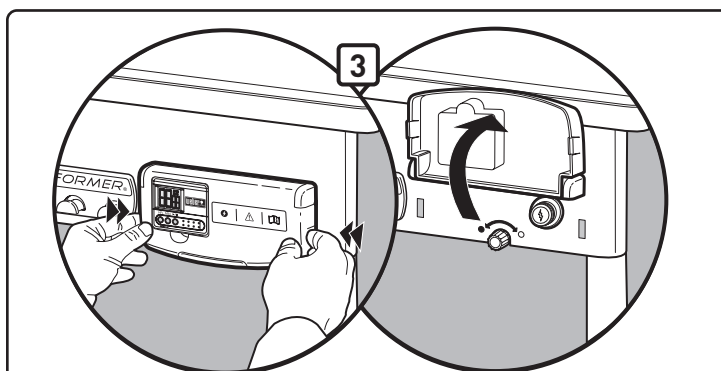
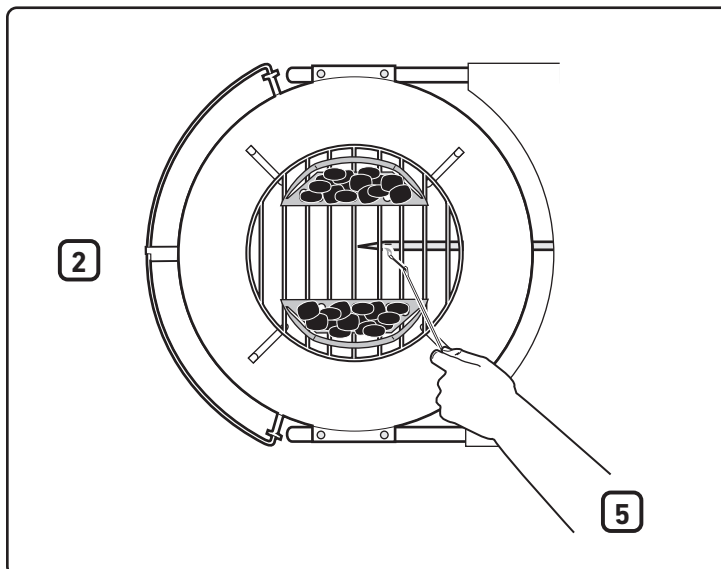
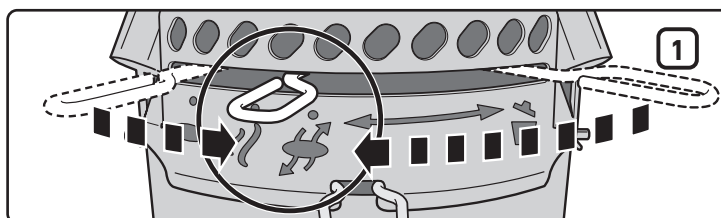
I) Une fois les briquettes de charbon de bois (du bas) allumées (environ 10 minutes), fermez le robinet d'arrivée de gaz (sens des aiguilles d'une montre).

J) Vous pouvez commencer la cuisson lorsque les briquettes sont recouvertes d'une fine couche de cendres grises (environ 25-30 minutes).

POUR ETEINDRE LE BARBECUE

Tournez le robinet de réglage de gaz sur ARRÊT (sens des aiguilles d'une montre) jusqu'à ce qu'il soit fermé.

⚠ **Portez des maniques ou gants pour barbecue (conformes à la norme EN 407, Chaleur de contact niveau 2 ou supérieur) et utilisez une pince pour repositionner les CHAR-BASKET au-dessus du brûleur.**



FONCTIONNEMENT DU MINUTEUR

Ce minuteur de cuisson numérique étanche peut effectuer un compte progressif et un compte à rebours en heures, minutes et secondes.

Pour régler la durée du compte à rebours :

- Appuyez sur le bouton **Start/Stop (Marche/Arrêt)** : ► / ■ pour allumer le rétro-éclairage.
- Appuyez sur le bouton **HR (1)** pour régler le nombre d'heures. Maintenez le bouton enfoncé pour faire défiler les chiffres plus rapidement (réglage maximal : 99 heures) (4).
- Appuyez sur le bouton **MIN (2)** pour régler le nombre de minutes. Maintenez le bouton enfoncé pour faire défiler les chiffres plus rapidement (réglage maximal : 59 minutes) (5).
- Une fois la durée réglée, appuyez sur le bouton **Start/Stop (Marche/Arrêt)** : ► / ■ (3) pour démarrer le compte à rebours.
- Une fois la durée souhaitée atteinte, l'alarme retentit pendant 30 secondes et le compte à rebours redémarre automatiquement à partir de la durée paramétrée précédemment.

IMPORTANT

Lorsqu'il reste plus d'une heure au compte à rebours, H et M (Heures et Minutes) clignoteront ; le compte à rebours de chaque minute démarre. Lorsqu'il reste moins d'une heure au compte à rebours, H et M deviennent M et S (Minutes et Secondes) et le compte à rebours des secondes apparaît ; le compte à rebours de chaque seconde démarre.

Pour effacer la durée :

- Appuyez sur le bouton **Start/Stop (Marche/Arrêt)** : ► / ■ pour allumer le rétro-éclairage.
- Appuyez sur les boutons **HR** et **MIN** : ↻ simultanément (1)(2).

Pour régler la durée d'un compte progressif :

- Appuyez sur le bouton **Start/Stop (Marche/Arrêt)** : ► / ■ pour allumer le rétro-éclairage.
- Appuyez à nouveau sur le bouton **Start/Stop (Marche/Arrêt)** : ► / ■ pour démarrer le compte progressif. Pendant le compte progressif, l'écran affichera le relevé au format heure/minute et minute/seconde.
- Appuyez deux fois sur le bouton **Start/Stop (Marche/Arrêt)** : ► / ■ pour mettre le minuteur à l'arrêt. Le compte progressif s'arrêtera après 99 heures (4), 59 minutes (5).

Arrêt automatique :

- Pour prolonger la vie des piles, le rétro-éclairage s'éteint au bout de 10 secondes. Le minuteur s'éteint complètement après 10 minutes d'inactivité.

Remarque : Si vous utilisez le minuteur dans un environnement propice aux décharges électrostatiques (électricité statique), son réglage risque d'être perdu. Si c'est le cas, réinitialisez le minuteur.

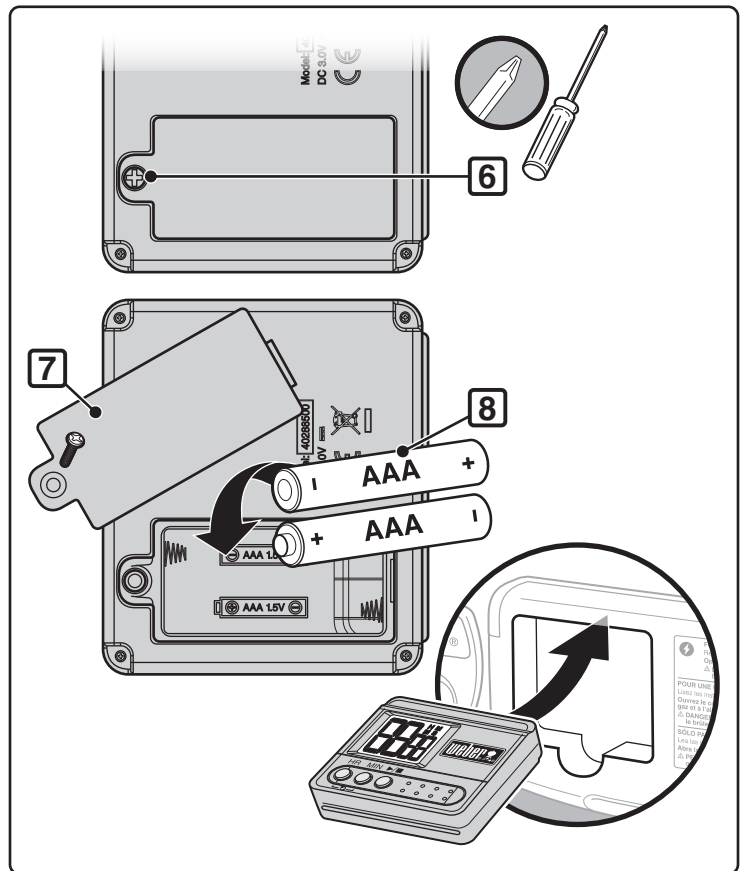
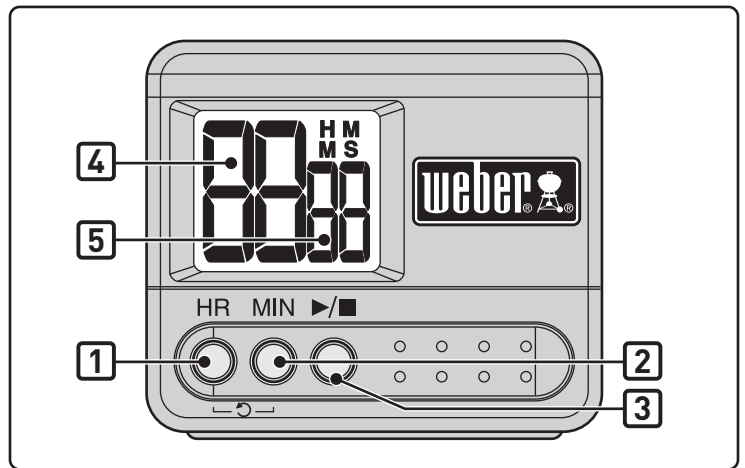
Installation des piles :

- Utilisez un tournevis cruciforme pour ouvrir le compartiment des piles à l'arrière du minuteur (6) en faisant tourner la vis dans le sens horaire.
- Ôtez le couvercle des piles à l'arrière du minuteur (7).
- Ajoutez ou remplacez les piles AAA (8).
- Remettez le couvercle des piles en place.
- Fermez le couvercle des piles en tournant la vis dans le sens anti-horaire à l'aide d'un tournevis cruciforme.
- Après avoir installé les piles, (0000) s'affichera sur l'écran à cristaux liquides.

Entretien :

- Ne nettoyez pas le minuteur avec un composé abrasif ou corrosif. Ceci risque d'entraîner des rayures ou la corrosion des circuits électroniques.
- Ne soumettez pas le minuteur à une force excessive, à des chocs, de la poussière, une température ou une humidité extrêmes. Cela pourrait entraîner un dysfonctionnement du dispositif, une durée de vie plus courte des composants électroniques, une détérioration de la pile ainsi qu'une déformation des pièces.
- Ne manipulez pas les composants internes du minuteur. Toute manipulation entraînera l'annulation de la garantie du minuteur et peut provoquer la détérioration inutile de la pile et des pièces internes.
- Ne soumettez pas le minuteur à une exposition excessive à la lumière du soleil ou à de fortes pluies.
- N'immergez pas le minuteur dans l'eau.

Pour un fonctionnement optimal, il est recommandé de conserver le minuteur à l'intérieur lorsqu'il n'est pas utilisé.



PROBLÈME	VERIFICATION	SOLUTION
La flamme du brûleur est jaune ou orange, et une odeur de gaz se dégage.	Vérifiez que le brûleur n'est pas obstrué.	Nettoyez le brûleur. (Voir la section "Entretien")
Le brûleur ne s'allume pas ou la flamme est très faible.	La bouteille de gaz est-elle vide (ou presque) ?	Remplacez la bouteille de gaz.
	Le flexible de gaz est-il plié ou pincé ?	Redressez le flexible de gaz.
	Le brûleur s'allume-t-il avec une allumette ?	S'il est possible d'allumer le brûleur à l'aide d'une allumette, vérifiez le système d'allumage.
	Le raccord entre le brûleur et le tuyau de gaz est-il correct ?	Raccordez le tuyau de gaz au brûleur à l'aide du clip de retenue métallique fourni. ⚠ DANGER: N'utilisez pas l'allumeur à gaz si le clip de retenue n'est pas présent. L'absence de clip de retenue peut provoquer des blessures graves, voire mortelles, et causer des dommages matériels. Contactez votre revendeur pour obtenir un clip de retenue de rechange.
La flamme du brûleur est irrégulière.	Le brûleur est-il propre ?	Nettoyez le brûleur. (Voir la section "Entretien")
Le brûleur ne s'allume pas lorsque vous appuyez sur le bouton d'allumage.	Vérifiez que le gaz arrive aux brûleurs en essayant de les allumer avec une allumette. Reportez-vous à la section « ALLUMAGE MANUEL. »	Si vous parvenez à l'allumer avec des allumettes, le problème se situe au niveau du système d'allumage. Reportez-vous à « FONCTIONNEMENT DU SYSTÈME D'ALLUMAGE ÉLECTRIQUE. »
	Une pile neuve a-t-elle été installée ?	Vérifiez que la pile est en bon état et installée correctement. Reportez-vous à « INSPECTION DE L'ALLUMEUR ÉLECTRONIQUE. »
	Les fils sont-ils correctement branchés au module d'allumage ?	Vérifiez que les fils sont bien insérés dans les bornes du boîtier de l'allumeur. Reportez-vous à « FONCTIONNEMENT DU SYSTÈME D'ALLUMAGE ÉLECTRIQUE. »
	La nouvelle pile est-elle entourée d'un film de protection en plastique ?	Retirez la protection en plastique.
La minuterie ne fonctionne pas.	A-t-on installé des piles neuves ?	Vérifiez que les piles sont en bon état et correctement installées. Se reporter à « FONCTIONNEMENT DU MINUTEUR ».
L'intérieur du couvercle semble se détériorer. (Il semble s'écailler.)	Il s'agit en réalité d'une accumulation de graisse cuite carbonisée qui s'effrite. CECI N'EST PAS UN DEFAULT.	Nettoyez soigneusement le couvercle. (Voir section "Nettoyage")
Si les solutions proposées ne vous permettent pas de résoudre votre problème, contactez votre revendeur. Pour connaître les coordonnées de notre revendeur le plus proche, consultez notre site Web. Rendez-vous sur le site www.barbecueweber.fr		

ENTRETIEN

Si vous n'avez pas utilisé le barbecue pendant un certain temps, nous vous recommandons d'effectuer les procédures d'entretien suivantes pour votre sécurité.

- Avant chaque utilisation, vérifiez que le flexible ne présente pas d'entaille, de cassure, d'abrasion ou de coupure. Si le flexible est hors d'usage, ne vous servez pas du barbecue. Remplacez-le uniquement par une pièce de rechange d'origine WEBER. **Contactez votre revendeur. Pour obtenir les coordonnées de notre revendeur le plus proche, rendez-vous sur notre site Web. Consultez le site www.barbecueweber.fr.**

⚠ ATTENTION : Si le tuyau de gaz est endommagé de quelque manière que ce soit ou s'il présente une fuite, n'utilisez pas le barbecue.

- Vérifiez que la flamme du brûleur est régulière (voir section "Flamme du brûleur"). Si nécessaire, nettoyez le brûleur conformément aux procédures décrites dans cette section.
- Vérifiez l'étanchéité de tous les raccords de gaz (voir section "Recherchez les fuites de gaz éventuelles").

NETTOYAGE PERIODIQUE

Pour retirer les cendres de la cuve, agitez le levier de commande (1) d'un côté à l'autre afin que les cendres soient évacuées par les aérations de la cuve et déversées dans le cendrier.

⚠ ATTENTION : Assurez-vous que le brûleur est en position d'arrêt ("OFF") et que le barbecue est froid avant de procéder au nettoyage.

N'élargissez pas les fentes du brûleur lors du nettoyage.

Pour nettoyer le brûleur :

- Brossez l'extérieur du tuyau du brûleur (2) et les fentes du brûleur (3) à l'aide d'une brosse en laiton.

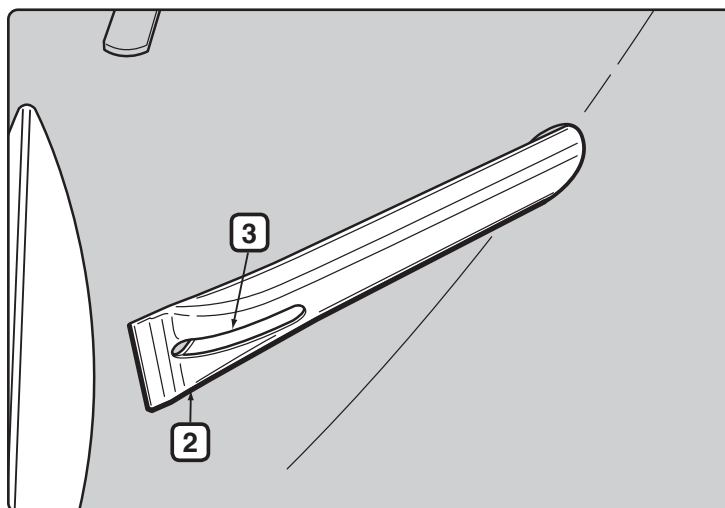
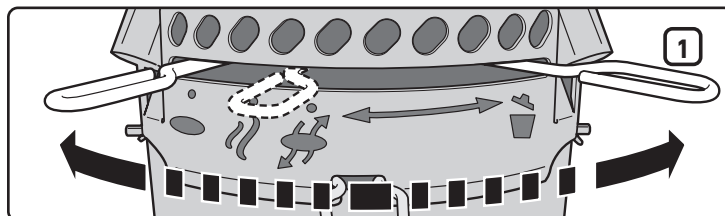
⚠ ATTENTION : N'élargissez pas les fentes du brûleur ou l'orifice de gaz lors du nettoyage.

Pour nettoyer la cuve et le couvercle:

- Pendant que le couvercle est tiède, nettoyez l'intérieur à l'aide d'une éponge pour éviter l'accumulation de graisse.
- Pour les surfaces extérieures, utilisez une solution savonneuse tiède et rincez abondamment à l'eau claire.

Pour un nettoyage plus approfondi (à effectuer une fois par an) :

- Retirez les cendres une fois qu'elles sont complètement éteintes.
- Retirez les grilles et les paniers à charbon CHAR-BASKETS.
- Essuyez avec une éponge. Nettoyez avec un liquide vaisselle neutre et de l'eau tiède. Rincez abondamment à l'eau claire et essuyez.



RANGEMENT

- Lorsque le Performer est rangé à l'intérieur, l'arrivée de gaz doit être déconnectée et la bouteille de gaz doit être stockée à l'extérieur dans un espace correctement ventilé.
- Les bouteilles de gaz doivent être stockées à l'extérieur dans un espace correctement ventilé, hors de la portée des enfants. Ils ne doivent pas être stockés dans un bâtiment, un garage ou tout autre espace fermé.
- Si vous avez stocké et / ou n'avez pas utilisé le barbecue pendant une certaine période, vérifiez que le barbecue ne présente aucune fuite de gaz et que le brûleur n'est pas obstrué avant de l'utiliser (voir section "Entretien").
- Assurez-vous que les zones autour de l'assemblage du détendeur - bouteille de gaz et du tuyau de gaz - brûleur ne contiennent pas de résidus qui pourraient obstruer le flux de gaz ou d'air.

AVERTISSEMENT CONCERNANT LES INSECTES

Le Performer, comme tout appareil à gaz d'extérieur, peut être une cible pour les araignées et les insectes. Ils peuvent s'installer dans la section du diffuseur (1) du brûleur, ce qui provoquera un retour du gaz arrivé à l'obturateur d'air.

Ceci risque de provoquer un incendie dans le brûleur, à proximité et sous le panneau de la cuve. Le barbecue pourrait être gravement endommagé et il ne serait plus utilisable.

Nous vous recommandons fortement de vérifier et de nettoyer le brûleur au moins une fois par an, ou si les symptômes suivants se produisent :

- A) Odeur de gaz, et flammes du brûleur jaunes et faibles.
- B) Petites explosions dans le brûleur.

⚠ DANGER

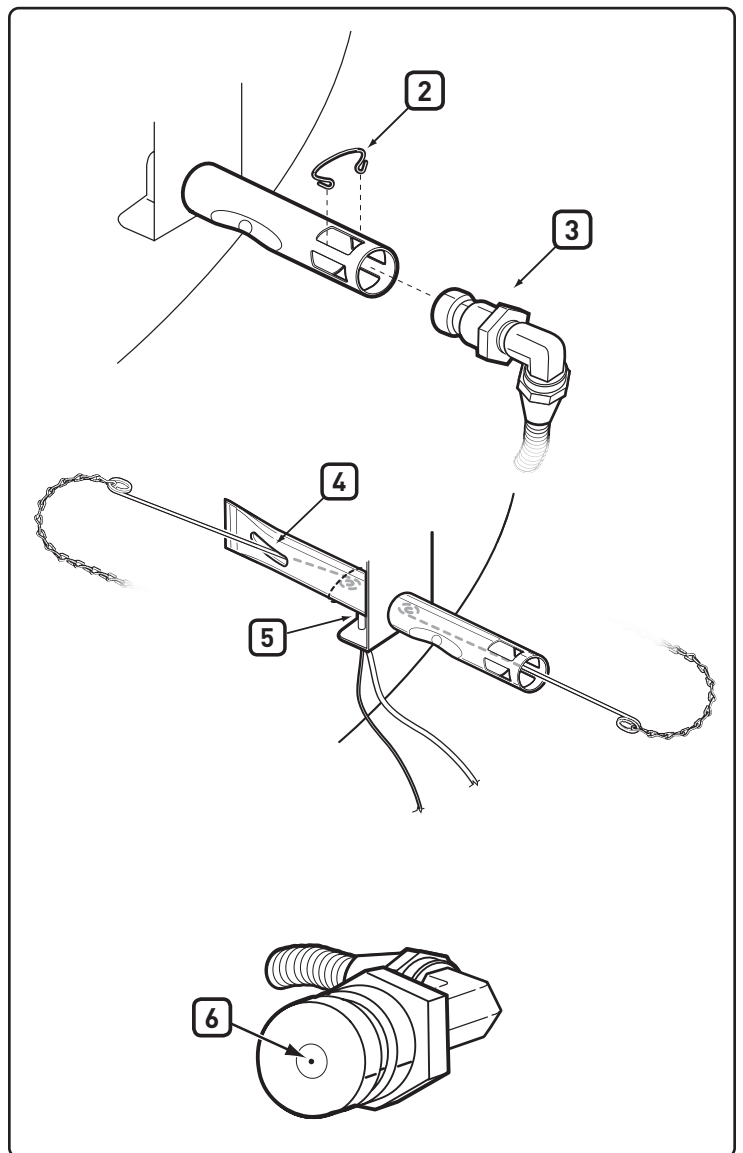
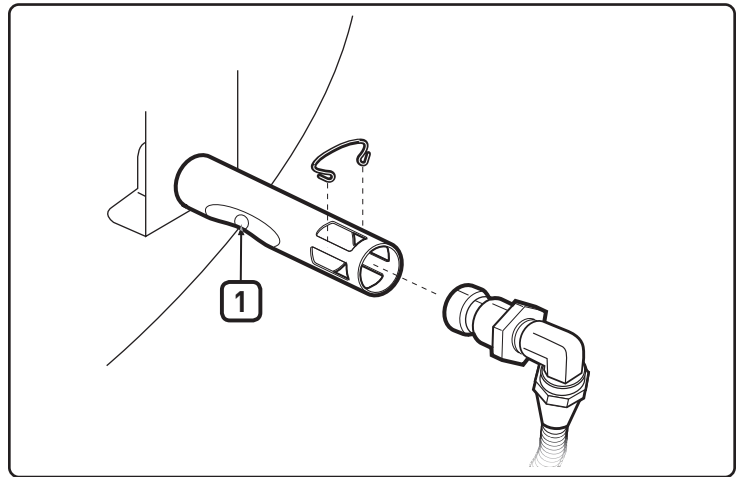
Si vous ne résolvez pas ces problèmes, vous risquez de provoquer un incendie pouvant entraîner des blessures graves, voire mortelles, et des dommages matériels.

INSPECTION ET NETTOYAGE DU BRULEUR

- A) Eteignez le gaz.
- B) Retirez la cuve de stockage CHARBIN.
- C) Retirez le clip de l'orifice (2) et le raccord du flexible (3) du brûleur.
- D) Inspectez l'intérieur à l'aide d'une lampe torche.
- E) Nettoyez l'intérieur du brûleur à l'aide du porte-allumette métallique (monté derrière la plaque du logo WEBER). Utilisez le support d'allumette pour nettoyer la zone des obturateurs d'air, la section du diffuseur et les fentes du brûleur (4) à l'intérieur de la cuve. Veillez à ne pas endommager l'électrode de l'allumeur lorsque vous insérez l'outil de nettoyage du brûleur (5).
- F) Vérifiez de nouveau avec la lampe torche qu'il n'existe aucune obstruction.
- G) Si nécessaire, la surface du raccord de flexible peut être nettoyée à l'aide d'une brosse en laiton. L'orifice (6) peut être nettoyé avec une petite aiguille.

⚠ ATTENTION : N'élargissez pas l'orifice lors du nettoyage.

- H) Assemblez de nouveau les pièces en effectuant les étapes C et B.

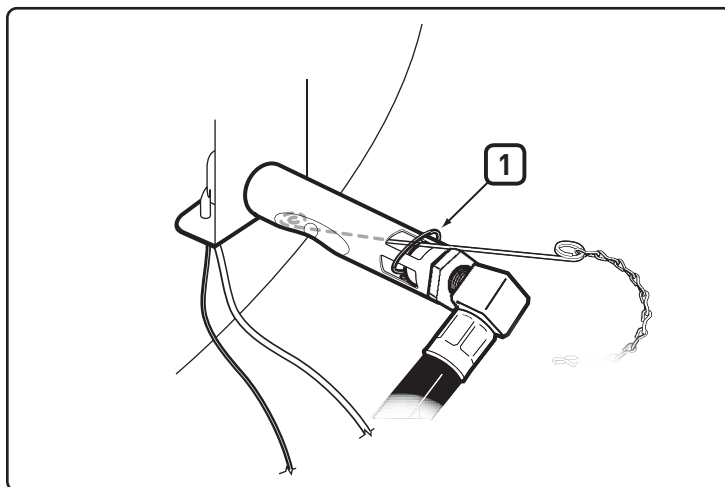


NETTOYAGE PERIODIQUE RAPIDE

Nous vous recommandons de brosser régulièrement l'extérieur des fentes du brûleur avec une brosse en laiton et de nettoyer le tuyau du brûleur jusqu'à l'aération de combustion avec le porte-allumette fourni.

Pour cela, recherchez l'aération de combustion du brûleur (1) sous l'attache de la cuve et insérez l'outil dans chaque aération de combustion en le faisant tourner. Veillez à ne pas endommager l'électrode de l'allumeur lorsque vous insérez le porte-allumette.

⚠ ATTENTION : Il est important d'augmenter la fréquence de nettoyage au printemps et en été.



INSPECTION DE L'ALLUMAGE ÉLECTRONIQUE

Si le système d'allumage électronique ne fonctionne pas, vérifiez la présence d'un débit de gaz en essayant d'allumer votre brûleur avec une allumette. Reportez-vous à la section « ALLUMAGE MANUEL » Si vous parvenez à l'allumer avec une allumette, le problème se situe au niveau du système d'allumage électronique.

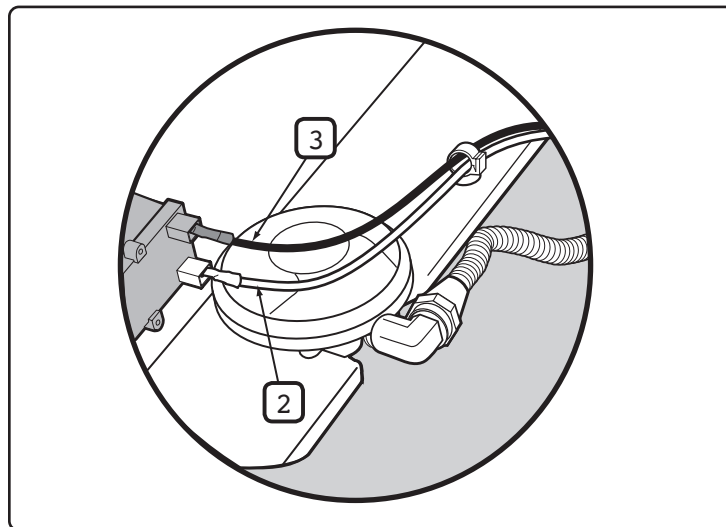
⚠ AVERTISSEMENT : La vanne d'alimentation en gaz et le bouton de réglage de gaz doivent être en position « OFF » (arrêt).

- Vérifiez que la pile AAA (alcaline uniquement) est en bon état et qu'elle est correctement installée (1). Certaines piles sont entourées d'un film de protection en plastique, qui doit être enlevée. Ne confondez pas cette protection avec l'étiquette de la pile.
- Vérifiez que les câbles d'allumage blanc (2) et noir (3) sont correctement fixés.
- Vérifiez que le bouton d'allumage électronique fonctionne en écoutant si des cliquetis sont audibles et en vérifiant la présence d'étincelles au niveau du brûleur.
- Vérifiez que l'allumeur est correctement fixé au cadre. Si nécessaire, resserrez ; voir aussi « Installation » pour la bonne procédure.

Remplacez La Pile Si Nécessaire

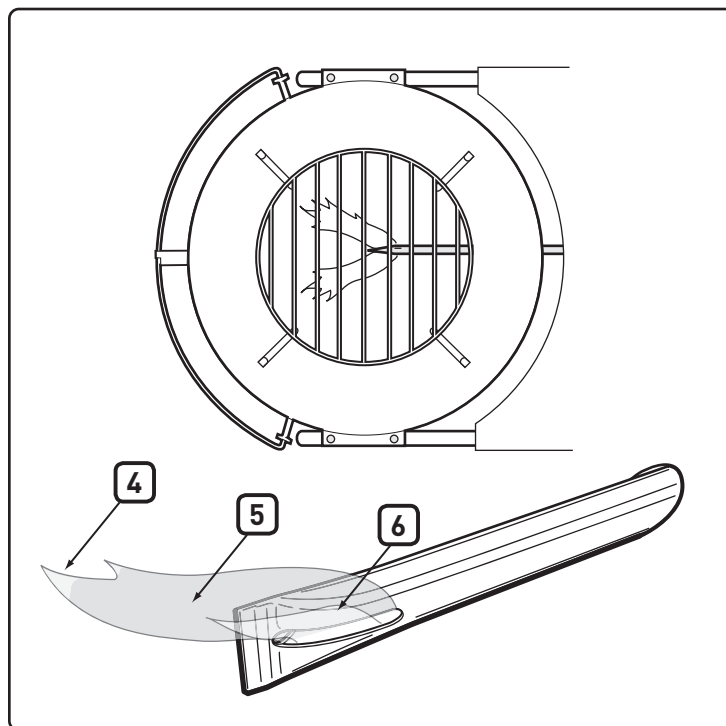
Pile alcaline AAA uniquement.

Si le dysfonctionnement du système d'allumage électronique persiste, contactez le service client Weber de votre région. Vous trouverez ses coordonnées sur notre site Web à l'adresse www.weber.com.



FLAMME DU BRÛLEUR

Le brûleur a été réglé en usine pour le mélange d'air et de gaz correct. Une flamme correcte doit être jaune au bout (4), bleu foncé au milieu (5) et bleu clair à la sortie du tuyau du brûleur (6). Si la flamme ne correspond pas à celle indiquée ou si de petites explosions se produisent, suivez la procédure de nettoyage du brûleur.



⚠ ATTENTION : ce produit a été soumis à des tests de sécurité. Il est homologué uniquement pour une utilisation dans un pays donné. Consultez l'emballage extérieur pour plus d'informations sur le pays d'utilisation correspondant.

Ces pièces peuvent être des composants de transfert ou de combustion de gaz. Contactez le service clientèle de Weber-Stephen Products LLC pour en savoir plus sur les pièces de rechange Weber-Stephen Products LLC d'origine.

⚠ AVERTISSEMENT : ne tentez pas d'effectuer des réparations sur des composants d'acheminement ou de combustion de gaz sans contacter préalablement le service clientèle de Weber-Stephen Products LLC ou votre revendeur WEBER. Le non-respect du présent avertissement peut donner lieu à un incendie ou à une explosion susceptible de provoquer des blessures graves, voire mortelles, ainsi que des dommages matériels.



WEBER-STEPHEN PRODUCTS LLC
www.weber.com

PERFORMER DELUXE

Manuale d'uso per barbecue a carbone

Leggere la guida del proprietario prima di usare il barbecue.

Montaggio -  p. 6

IT

PRIMA DI UTILIZZARE IL BARBECUE A GAS LEGGERE IL MANUALE D'USO

PERICOLO


Se si avverte odore di gas:


1. Chiudere il gas.
2. Spegnerne eventuali fiamme libere.
3. Aprire il coperchio.
4. Se si continua ad avvertire odore di gas, tenersi a distanza dall'apparecchio e contattare immediatamente il proprio fornitore del gas o i vigili del fuoco.

Le fughe di gas possono provocare incendi o esplosioni e causare lesioni personali gravi o mortali, o danni alle cose.

AVVERTENZA:

1. Non riporre né utilizzare benzina o altri vapori o liquidi infiammabili nelle vicinanze di questo o altri dispositivi.
2. Eventuali bombole di gas non utilizzate non devono essere riposte nelle vicinanze di questo o altri dispositivi.

 **AVVERTENZA:** prima di utilizzare il barbecue, seguire attentamente tutte le procedure per il rilevamento di perdite di gas contenute nel presente manuale. Attenersi a questa precauzione anche se il barbecue è stato assemblato dal rivenditore.

 **AVVERTENZA:** non tentare di accendere il barbecue a gas Weber senza aver prima letto le istruzioni per l'“Accensione” contenute nel presente manuale.

INFORMAZIONI PER L'INSTALLATORE:
Il proprietario deve conservare il presente manuale per eventuali usi futuri.

**IL BARBECUE DEVE ESSERE UTILIZZATO
ESCLUSIVAMENTE ALL'APERTO.**

LA MANCATA OSSERVANZA DI QUESTE DICHIARAZIONI DI PERICOLO, AVVERTENZA E CAUTELA POTREBBE CAUSARE GRAVI LESIONI FISICHE O LA MORTE, OPPURE PROVOCARE UN INCENDIO O UN'ESPLOSIONE CON CONSEGUENTI DANNI ALLE PROPRIETÀ.

- △ I SIMBOLI DI SICUREZZA (△) forniranno all'utente importanti informazioni di SICUREZZA.
- △ Le parole di segnalazione PERICOLO, AVVERTENZA o CAUTELA saranno usate con il SIMBOLO DI SICUREZZA.
- △ PERICOLO identificherà i rischi più gravi.
- △ Prima di mettere in funzione questa griglia, si prega di leggere tutte le informazioni di sicurezza contenute nella presente Guida del proprietario.

△ PERICOLI

- △ Non utilizzare questa griglia sotto una struttura combustibile sopraelevata.
- △ L'assemblaggio errato può essere pericoloso. Si prega di seguire le istruzioni sull'assemblaggio contenute nel presente manuale. Usare la griglia soltanto quando tutte le parti sono in posizione. Prima di accendere la griglia, accertarsi che il collettore della cenere sia propriamente collegato ai piedini sotto la vaschetta della griglia, oppure che il collettore della cenere ad alta capacità sia in posizione.
- △ I materiali combustibili non devono mai essere usati ad una distanza inferiore a 60 cm dal lato superiore, inferiore, posteriore o di fianco della griglia.
- △ Non sporgersi mai sulla griglia quando si accende il bruciatore a gas.
- △ Non usare la griglia in presenza di venti forti.
- △ Non attivare la griglia in caso di fuoriuscita di gas.
- △ Non usare una fiamma per verificare la fuoriuscita di gas.
- △ Se il bruciatore si spegne in qualsiasi momento durante il funzionamento, disattivare la valvola del serbatoio. Rimuovere il coperchio e attendere cinque minuti prima di cercare di riaccendere, usando le istruzioni sull'accensione specificate nel presente manuale.
- △ Non cercare di disconnettere il regolatore del gas dal serbatoio o qualsiasi raccordo del gas mentre la griglia è in funzione.
- △ Usare soltanto il regolatore del gas LP in dotazione con la griglia.

△ AVVERTENZE

- △ Seguire le istruzioni sulla connessione del regolatore per il tipo di griglia a gas in dotazione.
- △ Non conservare alcuna cartuccia monouso LP scollegata o di riserva sotto la griglia o vicino ad essa.
- △ Appoggiare sempre la griglia su una superficie piana e sicura, lontana da materiali combustibili.
- △ Non collocare la copertura della griglia o un qualsiasi oggetto infiammabile sull'area o nell'area di stoccaggio sotto la griglia.
- △ Rimuovere sempre il coperchio prima di accendere il bruciatore a gas, manualmente o con il sistema di accensione. Il coperchio deve rimanere a parte SPENTO fino a quando la carbonella non sarà completamente accesa.
- △ Usare utensili per la griglia opportuni, con impugnature lunghe e resistenti al calore.
- △ Alcuni modelli potrebbero essere dotati della caratteristica con ferma coperchio TUCK-AWAY. Il fermacoperchio TUCK-AWAY deve essere usato per appoggiare il coperchio quando si controlla o gira il cibo. Non usare il fermacoperchio TUCK-AWAY come impugnatura per sollevare o spostare la griglia. Non collocare un coperchio caldo sulla moquette o sull'erba. Non appendere il coperchio sull'impugnatura della vaschetta.
- △ Maneggiare e conservare attentamente i dispositivi di avviamento elettrici.
- △ Tenere lontani i fili elettrici e i cavi di alimentazione dalle superfici calde della griglia e a distanza dalle zone molto trafficate.
- △ Dopo un periodo di immagazzinaggio e/o mancato uso del prodotto, accertarsi che non siano presenti fuoriuscite di gas e ostruzioni del bruciatore prima della messa in funzione. Consultare le istruzioni contenute nel presente manuale per informazioni sulle procedure corrette.
- △ La conversione o il tentato utilizzo del gas naturale in questa griglia sono pericolosi e annulleranno la garanzia.
- △ Una cartuccia monouso LP arrugginita o deformata potrebbe essere pericolosa e deve essere fatta controllare dal fornitore di propano liquido. Non usare cartucce monouso LP con la valvola danneggiata.
- △ Anche se la cartuccia monouso LP potrebbe sembrare vuota, il gas potrebbe trovarsi ancora all'interno. La cartuccia monouso LP deve essere trasportata e conservata adeguatamente.
- △ Quando si cucina, si regolano le valvole di tiraggio (prese d'aria), si aggiunge carbonella e si maneggia il termometro o il coperchio, utilizzare guanti o muffole da barbecue resistenti al calore (conformi a EN 407, livello di resistenza al calore da contatto 2 o superiore).
- △ Se si osserva, si sente l'odore o si ascolta il rumore del gas che fuoriesce dalla cartuccia monouso LP:
 1. Allontanarsi dalla cartuccia monouso LP.
 2. Non cercare di risolvere il problema autonomamente.
 3. Chiamare i vigili del fuoco.

△ CAUTELE

- △ Rivestendo la vaschetta con foglio di alluminio si ostruirà il flusso dell'aria. Usare invece una bacinella di raccolta per ammassare il gocciolamento proveniente dalla carne quando si cucina usando il metodo indiretto.
- △ L'utilizzo di oggetti affilati per pulire la grata o rimuovere le ceneri danneggerà la finitura.
- △ L'utilizzo di detersivi abrasivi sulle grate o sulla griglia stessa danneggerà la finitura.
- △ La griglia deve essere pulita accuratamente in maniera regolare.

Grazie per aver acquistato un prodotto WEBER. La società 1415 S. Roselle Road, Palatine, Illinois 60067 USA (di seguito "WEBER") è orgogliosa di offrirvi un prodotto sicuro, resistente e affidabile. La presente Garanzia volontaria di WEBER viene concessa senza costi aggiuntivi. Contiene le informazioni necessarie per richiedere la riparazione del vostro prodotto WEBER nell'improbabile caso di un guasto o difetto.

Ai sensi della legge applicabile, nel caso in cui il prodotto si dimostri difettoso, il cliente gode di diversi diritti. Tali diritti comprendono prestazioni supplementari, sostituzione, riduzione del prezzo di acquisto e rimborso. L'Unione Europea, ad esempio, richiede una garanzia legale di due anni a partire dalla data della consegna del prodotto. Questi e altri diritti legali rimangono inalterati dalla presente disposizione di garanzia. Di fatto, questa garanzia concede diritti aggiuntivi al proprietario indipendenti dalle disposizioni della garanzia legale.

GARANZIA VOLONTARIA WEBER

WEBER garantisce all'acquirente del prodotto WEBER (o, in caso di regalo o situazione promozionale, alla persona per la quale è stato acquistato come regalo o oggetto promozionale), che il prodotto WEBER è privo di difetti nei materiali e nella lavorazione per il periodo di tempo specificato di seguito, qualora sia stato montato e utilizzato nel rispetto delle istruzioni del Manuale d'uso fornito a corredo. (Nota: in caso di perdita o smarrimento del proprio Manuale d'uso WEBER, è possibile scaricare un Manuale d'uso sostitutivo online accedendo al sito www.weber.com o ai siti specifici dei singoli paesi a cui il proprietario può venire reindirizzato). Se il barbecue viene utilizzato e sottoposto a manutenzione in condizioni normali, ovvero per un utilizzo familiare, ai sensi della presente garanzia WEBER accetta di riparare o sostituire i componenti difettosi nel rispetto del periodo di validità, delle limitazioni e delle esclusioni di garanzia specificati di seguito. **NELLA MISURA IN CUI CIÒ SIA CONSENTITO DALLA LEGGE, LA PRESENTE GARANZIA È VALIDA ESCLUSIVAMENTE PER L'ACQUIRENTE ORIGINALE E NON SI TRASFERISCE AI PROPRIETARI SUCCESSIVI, SALVO SI TRATTI DI UN REGALO O ARTICOLO PROMOZIONALE, COME SOPRA SPECIFICATO.**

RESPONSABILITÀ DEL PROPRIETARIO AI SENSI DELLA PRESENTE GARANZIA

Per assicurare una copertura in garanzia ottimale, è importante, benché non obbligatorio, registrare il prodotto WEBER online sul sito www.weber.com o sul sito specifico del paese al quale il proprietario può venire reindirizzato. Si raccomanda inoltre di conservare la ricevuta e/o la fattura di vendita. La registrazione del prodotto WEBER funge da conferma per la copertura in garanzia e crea un collegamento diretto qualora WEBER debba contattare l'acquirente.

La garanzia di cui sopra è valida esclusivamente qualora il Proprietario abbia la dovuta cura del prodotto WEBER seguendo le istruzioni di montaggio, utilizzo e manutenzione preventiva specificate nel Manuale d'uso in dotazione, a meno che il Proprietario non sia in grado di dimostrare che il difetto o il guasto è indipendente dalla non conformità agli obblighi di cui sopra. Se il prodotto viene utilizzato in una zona costiera o in prossimità di una piscina, la manutenzione comprende le operazioni di lavaggio e risciacquo delle superfici esterne, come indicato nel Manuale d'uso a corredo.

GESTIONE DELLA GARANZIA / ESCLUSIONE DI GARANZIA

Se si ritiene che un componente debba essere coperto dalla presente Garanzia, si prega di contattare il Servizio Assistenza Clienti utilizzando il modulo disponibile sul nostro sito Web (www.weber.com o il sito specifico del paese al quale il Proprietario può essere reindirizzato). Svolta la dovuta indagine, a propria discrezione WEBER eseguirà la riparazione o la sostituzione del componente difettoso coperto da Garanzia. Qualora non sia possibile riparare o sostituire il componente difettoso, a propria discrezione WEBER può scegliere di sostituire completamente il barbecue con uno nuovo di pari valore o superiore. Ai fini dell'ispezione, WEBER potrebbe chiedere al proprietario di restituire i componenti con spese di spedizione prepagate.

La presente GARANZIA è nulla in situazioni quali danni, deterioramento, decolorazione e/o ruggine che esulano dalla responsabilità di WEBER e causate da:

- Uso eccessivo, uso errato, trasformazione, modifica, impiego erraneo, atti di vandalismo, negligenza, errori di montaggio o installazione ed effettuazione non corretta esecuzione della manutenzione normale e ordinaria;
- Conseguenze della presenza di insetti, ragni e roditori (ad esempio scoiattoli), ivi compresi, a titolo esemplificativo ma non limitativo, danni ai tubi dei bruciatori e/o ai tubi del gas;
- Esposizione ad aria salmastra e/o sostanze a base di cloro quali piscine e vasche idromassaggio;
- Rigide condizioni meteorologiche quali grandine, uragani, terremoti, tsunami o mareggiate, tornado o forti temporali.

L'utilizzo e/o l'installazione nel prodotto WEBER di componenti diversi dai ricambi originali WEBER rendono nulla la Garanzia, ed eventuali danni provocati in tali situazioni non sono coperti dalla Garanzia stessa. La conversione di un barbecue a gas non autorizzata da WEBER e non eseguita da un tecnico dell'assistenza autorizzato WEBER rende nulla la Garanzia.

VALIDITÀ DELLA GARANZIA DEI VARI COMPONENTI

Braciere, coperchio e anello centrale:
10 anni, contro perforazione da ruggine o bruciature passanti

Sistema di pulizia ONE-TOUCH:
5 anni, contro perforazione da ruggine o bruciature passanti

Componenti in plastica:
5 anni, ad esclusione di sbiadimento o decolorazioni

Tutti gli altri componenti:
2 anni

ESCLUSIONI DI GARANZIA

FATTE SALVE LA GARANZIA E LE RELATIVE ESCLUSIONI DI CUI ALLA PRESENTE, NON SI RILASCIANO CONTESTUALMENTE ULTERIORI GARANZIE ESPLICITE O DICHIARAZIONI VOLONTARIE DI RESPONSABILITÀ OLTRE LA RESPONSABILITÀ LEGALE IN CAPO A WEBER. INOLTRE LA PRESENTE DICHIARAZIONE DI GARANZIA NON LIMITA O ESCLUDE SITUAZIONI O CONTESTAZIONI NELLE QUALI WEBER SIA RESPONSABILE PER LEGGE.

NON SONO VALIDE GARANZIE OLTRE I PERIODI DI VALIDITÀ SPECIFICATI. NESSUN'ALTRA GARANZIA SUI PRODOTTI FORNITA DA ALTRE PERSONE, COMPRESI FORNITORI O RIVENDITORI (QUALI LE "GARANZIE ESTESE"), SARÀ VINCOLANTE PER WEBER. L'UNICO RIMEDIO PREVISTO DALLA PRESENTE GARANZIA È LA RIPARAZIONE O SOSTITUZIONE DEL COMPONENTE O DEL PRODOTTO.

IN NESSUN CASO PREVISTO DALLA PRESENTE GARANZIA, L'EVENTUALE RISARCIMENTO PUÒ ESSERE SUPERIORE AL VALORE DEL PREZZO DI ACQUISTO DEL PRODOTTO WEBER VENDUTO.

L'UTILIZZATORE SI ASSUME IL RISCHIO E LA RESPONSABILITÀ PER PERDITE, DANNI O LESIONI FISICHE E MATERIALI PER SE STESSO E/O ALTRE PERSONE DERIVANTI DALL'UTILIZZO ECCESSIVO O ERRATO DEL PRODOTTO O DAL MANCATO RISPETTO DELLE ISTRUZIONI FORNITE DA WEBER NEL MANUALE D'USO IN DOTAZIONE.

LE PARTI E GLI ACCESSORI SOSTITUITI NELL'AMBITO DELLA PRESENTE GARANZIA SONO GARANTITI SOLO PER LA PARTE RESTANTE DEI PERIODI DI VALIDITÀ DELLA GARANZIA ORIGINALE SOPRA SPECIFICATI.

LA GARANZIA COPRE SOLO L'UTILIZZO FAMILIARE IN AMBIENTE DOMESTICO E NON È VALIDA PER I BARBECUE WEBER UTILIZZATI IN SITUAZIONI COMMERCIALI, COLLETTIVE O DA PIÙ PERSONE, QUALI RISTORANTI, HOTEL, RESORT E IMMOBILI IN AFFITTO.

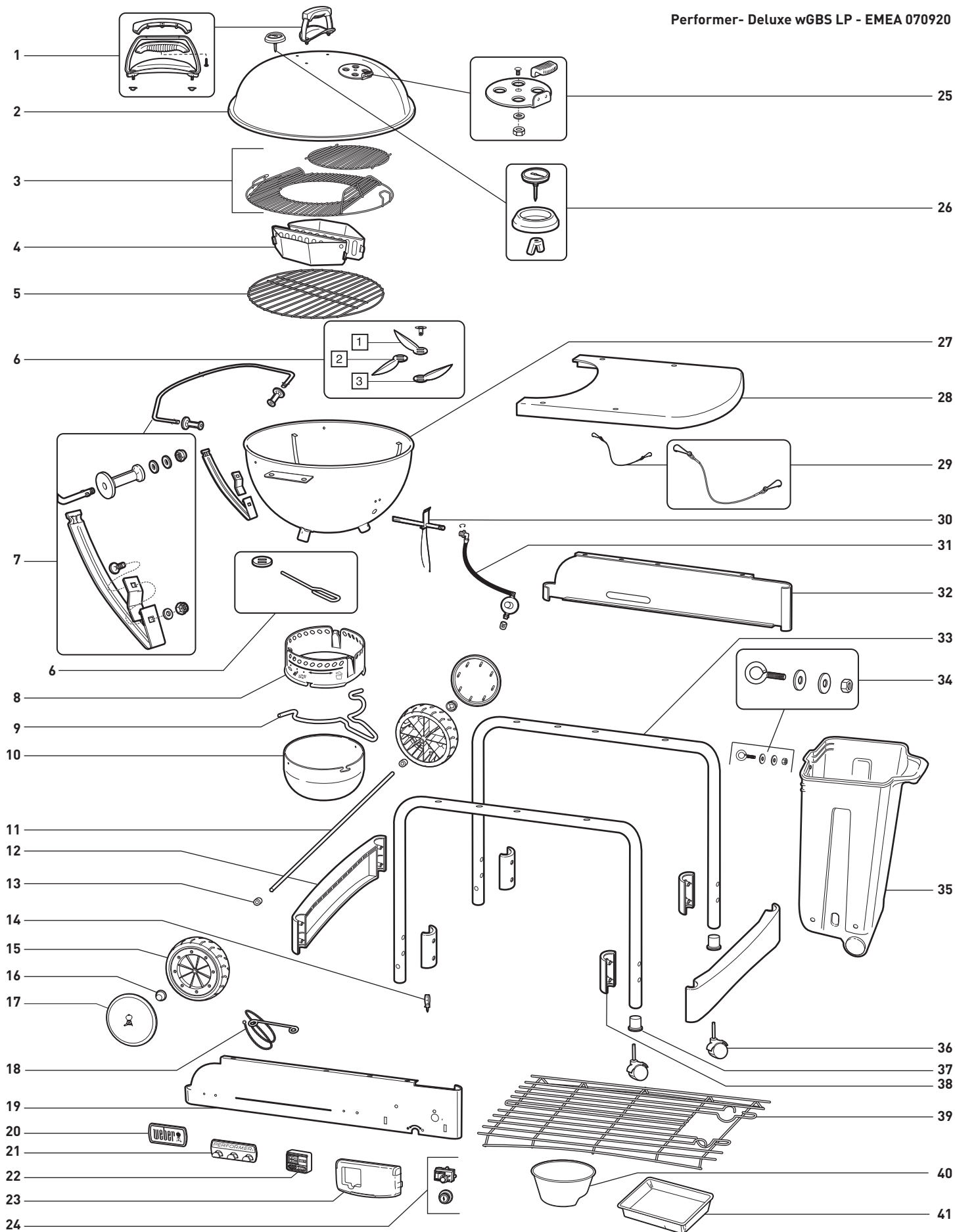
WEBER PUÒ IN QUALSIASI MOMENTO MODIFICARE IL MODELLO DEI PROPRI PRODOTTI. NESSUNA DISPOSIZIONE DELLA PRESENTE GARANZIA POTRÀ ESSERE INTERPRETATA QUALE OBBLIGO DI WEBER A INSERIRE DETTE MODIFICHE NEL MODELLO DEI PRODOTTI FABBRICATI IN PRECEDENZA, NÉ TALI MODIFICHE POSSONO ESSERE INTERPRETATE COME AMMISSIONE DELLA PRESENZA DI DIFETTI NEI MODELLI PRECEDENTI.

SOSTITUZIONE GRUPPO VALVOLA, REGOLATORE E TUBO

⚠ AVVISI IMPORTANTI: È consigliabile sostituire il tubo del gas del barbecue a gas Weber ogni 5 anni. In alcuni paesi la normativa richiede la sostituzione del tubo del gas a intervalli inferiori ai 5 anni; in questo caso si raccomanda di seguire i requisiti del paese.

Per la sostituzione dei gruppi tubo flessibile, regolatore e valvola, contattare il Servizio Assistenza Clienti, consultando l'area contatti del nostro sito web. Visitare www.weber.com.

PAESE		TIPO DI GAS E PRESSIONE
Danimarca, Svezia, Norvegia, Finlandia, Inghilterra, Olanda, Regno Unito, Francia, Spagna, Portogallo, Belgio, Irlanda, Grecia, Lussemburgo, Italia, Germania e Austria		I _{3B/P} - 29mbar
CONSUMO		
Accensione del bruciatore. Max		
Miscela di propano/ butano	kW	g/h
	2,6	192



- | | | |
|------------------------------------------------------------------------|-------------------------------------------------------------------------|------------------------------------------------------------|
| 1. Assemblaggio dell'impugnatura del coperchio | 15. Ruota | 29. Catena di ritenzione CHARBIN |
| 2. Coperchio | 16. Coppa per mozzo | 30. Assemblaggio del bruciatore |
| 3. Grata per cucinare GBS | 17. Copertura della ruota | 31. Tubo flessibile e Regolatore con forellino e fermaglio |
| 4. CHAR-BASKETS | 18. Supporto dello stecco di fiammiferi | 32. Pannello posteriore |
| 5. Grata della carbonella | 19. Pannello anteriore | 33. Telaio con piedini |
| 6. Sistema di pulizia ONE-TOUCH | 20. Piastra del logo | 34. Componente metallica CHARBIN |
| 7. Assemblaggio del supporto inferiore e del ferma coperchio TUCK-AWAY | 21. Portautensili | 35. CHARBIN |
| 8. Anello del collettore della cenere | 22. Timer di cottura digitale | 36. Snodo di blocco |
| 9. Impugnatura del collettore della cenere | 23. Copertura del comando del gas | 37. Inserto dello snodo |
| 10. Collettore della cenere ad alta capacità | 24. Pulsante del sistema di accensione/Modulo del sistema di accensione | 38. Morsetto della staffa del telaio con piedini |
| 11. Asse | 25. Assemblaggio dello smorzatore del coperchio | 39. Ripiano inferiore |
| 12. Staffa del telaio con piedini | 26. Assemblaggio del termometro | 40. Coppetta della carbonella |
| 13. Spaziatore della ruota | 27. Vaschetta | 41. Vaschetta di raccolta monouso |
| 14. Tirante di sospensione del sistema di accensione | 28. Tavola | |

Per rivolgere domande o ottenere consulenza in merito alla griglia o al suo funzionamento sicuro, visitare il sito web www.weber.com.

- Queste istruzioni indicheranno all'utente i requisiti minimi necessari per l'assemblaggio del barbecue WEBER. Si prega di leggere attentamente le istruzioni prima di utilizzare il barbecue WEBER. L'assemblaggio errato potrebbe essere pericoloso.
- Non deve essere utilizzato dai bambini.
- Questo barbecue WEBER è progettato per l'uso soltanto con il propano o con una miscela di gas propano/butano. Non usare con il gas naturale. La valvola e il regolatore sono indicati esclusivamente per il propano o per le miscele di gas propano/butano.
- Questo barbecue WEBER non è stato realizzato per usi commerciali.
- L'utilizzo di alcol e/o l'assunzione di farmaci su ricetta o da banco potrebbe compromettere la capacità dell'utente di assemblare o attivare in sicurezza l'apparecchiatura.

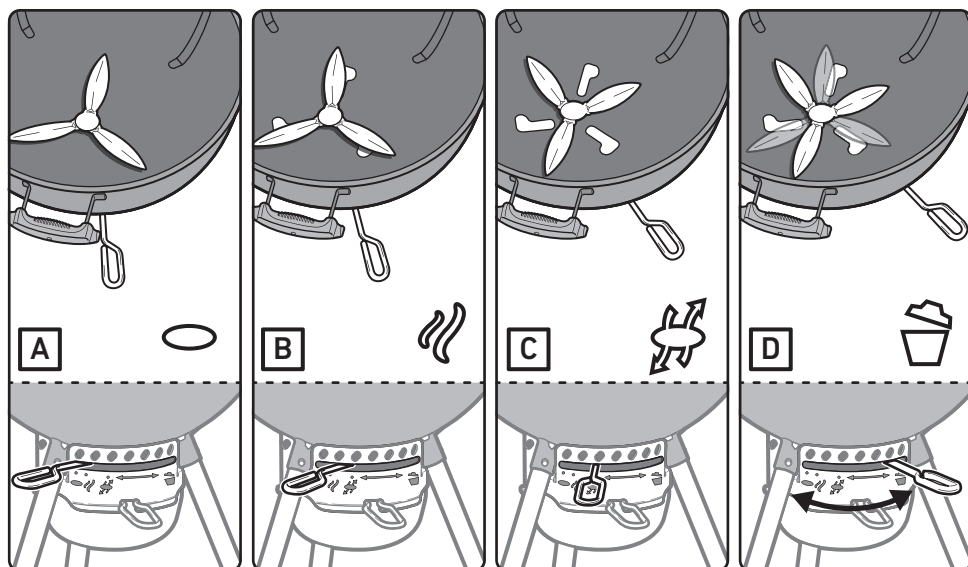
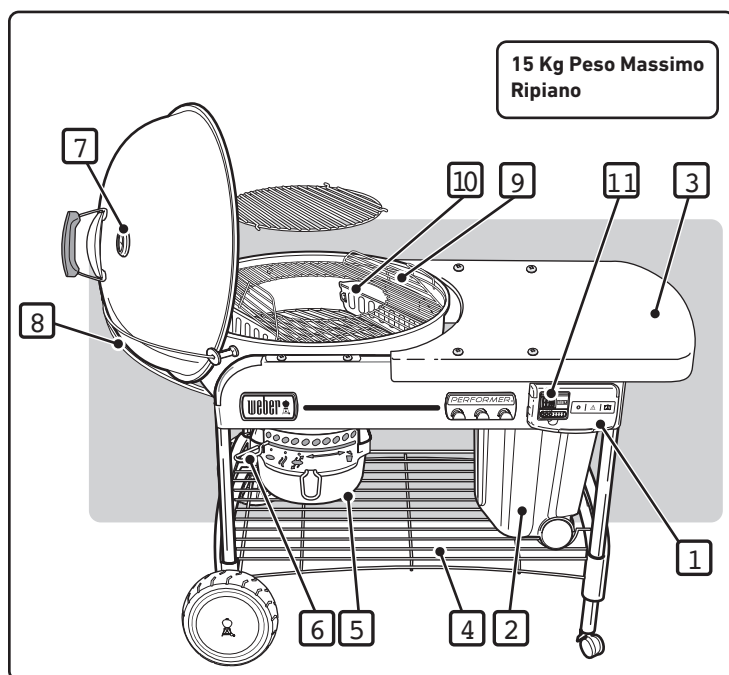
CARATTERISTICHE

- A) L'esclusivo sistema TOUCH-N-GO di accensione del gas rende più facile l'accensione dei bricchetti di carbonella (1). È sufficiente premere e tenere premuto il pulsante; il bruciatore a gas del sistema si accenderà avviando la carbonella. Non è necessario usare o conservare liquidi di avviamento pericolosi, e il cibo non avrà il retrogusto del liquido di avviamento.
- B) Il contenitore di stoccaggio CHARBIN è in grado di conservare un sacco di carbonella di peso massimo 13,7 kg (2). Il sacco di carbonella deve essere posizionato direttamente nel contenitore di stoccaggio CHARBIN.
- C) La superficie di lavoro metallica offre un'ottima area di lavoro e ricopre il contenitore di stoccaggio CHARBIN per mantenere asciutti i bricchetti (3).
- D) Comodo ripiano inferiore per lo stoccaggio (4).
- E) Il collettore della cenere ad alta capacità si blocca in posizione e impedisce che la cenere voli via (5).
- F) Il sistema di pulizia ONE-TOUCH spazzola via le ceneri con facilità, oppure apre e chiude gli sfiati (6).
- G) Il termometro effettua il monitoraggio della temperatura di cottura all'interno della griglia (7).
- H) Il coperchio TUCK-AWAY scorre all'indietro nel ferma coperchio di acciaio inox e funge da parabrezza quando si accendono i bricchetti (8).
- I) La grata per cucinare GOURMET BBQ SYSTEM (GBS) (9), le linguette di accesso a cerniera si aprono sulla grata per cucinare e facilitano l'aggiunta di bricchetti o trucioli di legno. Include l'inserito per l'uso quotidiano. È idoneo all'intera linea di accessori del GOURMET BBQ SYSTEM.
- J) I supporti per il carburante a carbonella CHAR-BASKET garantiscono una comoda flessibilità di cottura indiretta e diretta concentrata con la legna o la carbonella (10).
- K) Timer di cottura digitale (11).

- Questo barbecue WEBER non è stato realizzato per fungere da calorifero e non deve mai essere usato in questo modo.
- Non lasciare mai il barbecue WEBER incustodito. Tenere sempre i bambini e gli animali domestici a distanza dal barbecue WEBER.
- Le parti sigillate dal produttore non devono essere alterate dall'utente.
- Qualsiasi modifica apportata all'apparecchiatura potrebbe essere pericolosa.
- Disconnettere il cilindro se: 1) è vuoto; 2) la griglia viene riposta in un garage o in un'altra area chiusa; 3) la griglia viene trasportata.

⚠ **Non spostare l'apparecchiatura durante l'uso. Prima di muovere l'apparecchiatura, attendere che la griglia si raffreddi.**

⚠ **Questa apparecchiatura non è stata realizzata per fungere da calorifero e non deve mai essere usata in questo modo.**



IT A - Valvole chiuse B - Basso e lento C - Valvole aperte D - Rimuovere la cenere

⚠ **AVVERTENZA:** quando si utilizza liquido combustibile, controllare sempre il raccogli-cenere prima dell'accensione. Liquido può accumularsi nel raccogli-cenere e potrebbe innescarsi, causando un incendio sotto il braciere. Rimuovere eventuale liquido combustibile dal raccogli-cenere prima dell'accensione.

COLLEGAMENTO DELLA CARTUCCIA USA E GETTA DI GPL

Utilizzare cartucce usa e getta di GPL di capacità compresa tra un minimo di 430g e un massimo di 460g. La cartuccia deve essere provvista di una valvola EN417, come mostrato in figura. Tra i tipi di cartuccia utilizzabili vi sono la Primus modello 2202 o la WEBER Q usa e getta per barbecue a gas.

⚠ ATTENZIONE: utilizzare esclusivamente bombole marcate Propano o miscela Propano-Butano.

Spingere la cartuccia usa e getta di GPL nel regolatore e ruotarla in senso orario, fino a stringerla bene.

⚠ AVVERTENZA: serrare solo manualmente. Una forza eccessiva potrebbe danneggiare il raccordo del regolatore e provocare fughe di gas o la mancata fuoriuscita di gas.

CONTROLLO DI EVENTUALI PERDITE DI GAS:**⚠ PERICOLO**

Non utilizzare fiamme libere per controllare eventuali perdite di gas. Assicurarsi che, durante le procedure di verifica di eventuali perdite, non vi siano scintille o fiamme vive nella zona. La presenza di scintille o fiamme può causare incendi o esplosioni con conseguenti lesioni personali gravi o mortali o danni alle cose.

Cosa serve: una cartuccia usa e getta di GPL, una soluzione di acqua e sapone e uno straccio per applicarla.

- Mescolare l'acqua e il sapone.
- Girare il comando del gas su ON ruotandolo in senso antiorario.
- Verificare che non vi siano perdite bagnando il raccordo con la soluzione di acqua e sapone e controllando che non si formino bolle. Se si formano delle bolle, o se si forma una bolla che aumenta di dimensioni, c'è una perdita.

CONTROLLARE:

- L'allacciamento tra il regolatore e la cartuccia usa e getta di GPL.

⚠ AVVERTENZA: se c'è una perdita in corrispondenza dell'allacciamento (1), rimuovere la cartuccia usa e getta di GPL. Non utilizzare il barbecue. Utilizzare un'altra cartuccia usa e getta di GPL e controllare nuovamente che non vi siano perdite con la soluzione di acqua e sapone. Se dopo aver serrato nuovamente la cartuccia di GPL la perdita persiste, chiudere il gas. NON UTILIZZARE IL BARBECUE. Contattare il responsabile di zona del Servizio Assistenza Clienti, consultando l'area contatti del nostro sito Web. Visitare www.weber.com.

CONTROLLARE:

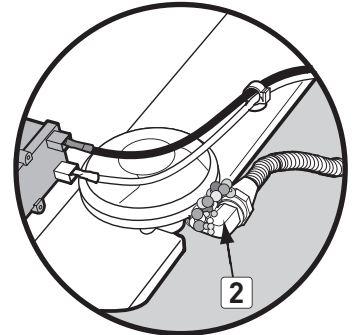
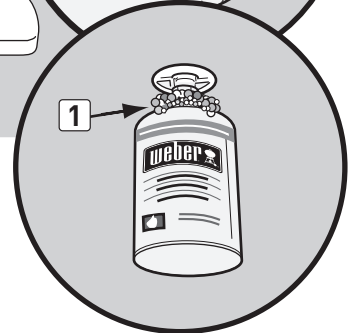
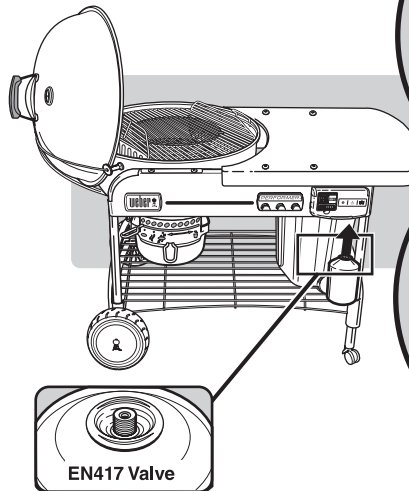
- Gli allacciamenti tra valvola e regolatore.

⚠ AVVERTENZA: se c'è una perdita in corrispondenza dell'allacciamento (2), chiudere il gas. NON UTILIZZARE IL BARBECUE. Contattare il responsabile di zona del Servizio Assistenza Clienti, consultando l'area contatti del nostro sito Web. Visitare www.weber.com.

Una volta completato il test di verifica delle perdite, chiudere il gas alla fonte e risciacquare i collegamenti con acqua.

⚠ PERICOLO

Non riporre cartucce di GPL sotto o vicino al dispositivo.



ACCENSIONE

⚠ PERICOLO

Prima di procedere all'accensione aprire il coperchio. Non utilizzare alcun liquido infiammabile come liquidi accenditori, benzina, alcol o altra forma di carbone autocombustibile, neppure in caso di accensione manuale. La mancata osservanza di tale indicazione può provocare lesioni personali gravi o mortali.

- A) Rimuovere il coperchio del barbecue prima di utilizzare il sistema di accensione.
- ⚠ **PERICOLO: la mancata osservanza di tale indicazione può causare un accumulo di gas e provocare incendi o esplosioni, con conseguenti lesioni personali gravi o mortali e danni alle cose.**
- B) Aprire le valvole di tiraggio sul fondo del braciere (1).
- C) Posizionare i CHAR-BASKETS sul bruciatore (2).
- D) Premere sulle linguette del coperchio del comando del gas (3) e aprirlo sollevandolo.
- E) Ruotare la manopola di alimentazione del gas (in senso antiorario) su ON di almeno un giro completo (4).
- ⚠ **AVVERTENZA: non chinarsi sul barbecue aperto in fase di accensione.**
- F) Tenere premuto il pulsante di accensione fino a quando non si accende il bruciatore (5).
- ⚠ **ATTENZIONE: in una giornata particolarmente soleggiata potrebbe essere difficile vedere la fiamma.**
- G) Una volta acceso il carbone (dopo circa 5 minuti), ruotare la manopola di controllo del gas in posizione di chiusura (in senso orario), fino a interrompere l'erogazione.

⚠ **ATTENZIONE: assicurarsi che il coperchio sia completamente chiuso.**

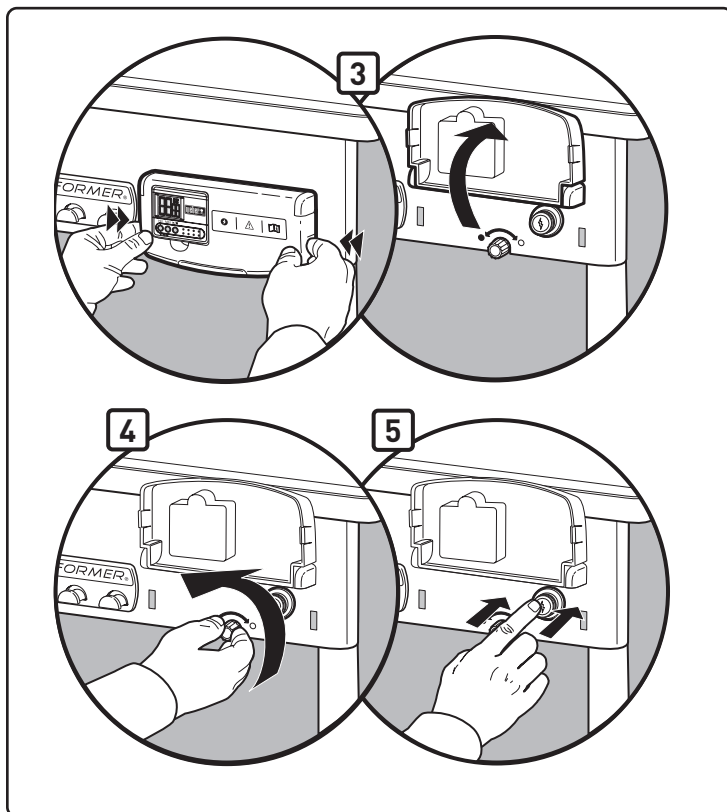
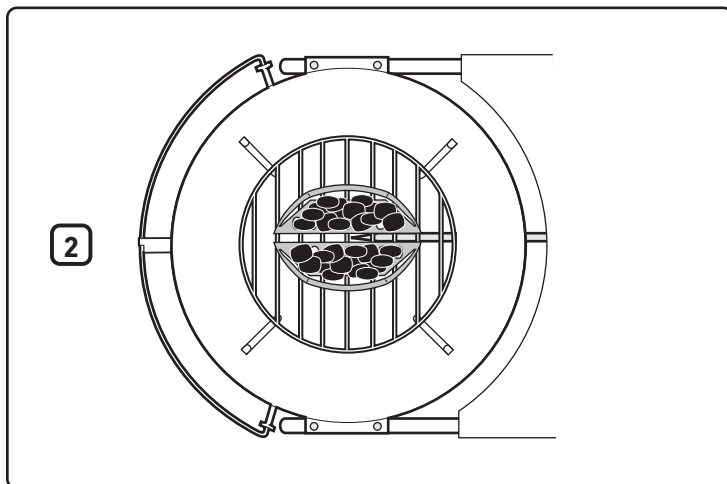
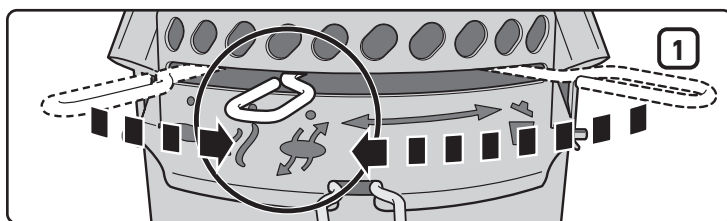
Nota - L'utilizzo prolungato della bombola ne riduce la durata.

H) È possibile iniziare la cottura quando sulle bricchette si sarà formato uno strato sottile di cenere grigia (circa 25-30 minuti).

PER SPEGNERE

Portare la manopola di controllo del gas fino alla posizione di chiusura (ruotando in senso orario) fino a interrompere l'erogazione.

⚠ **Per riposizionare i CHAR-BASKETS sul bruciatore, indossare guanti o muffole da barbecue (conformi a EN 407, livello di resistenza al calore da contatto 2 o superiore) e utilizzare pinze.**



ACCENSIONE MANUALE

⚠ **AVVERTENZA:** non tentare di accendere manualmente senza usare il portafiammiferi.

⚠ **PERICOLO**

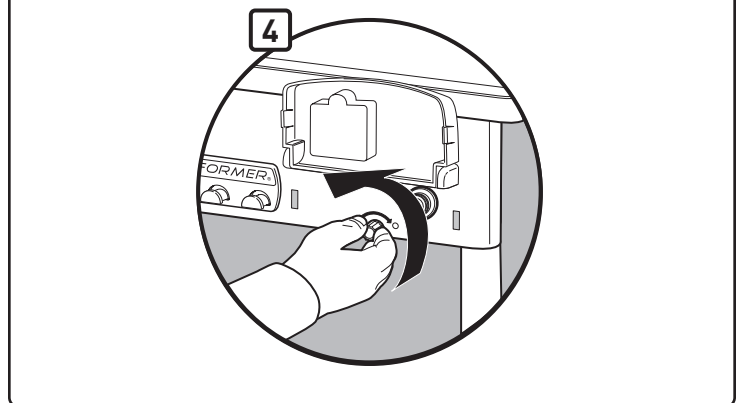
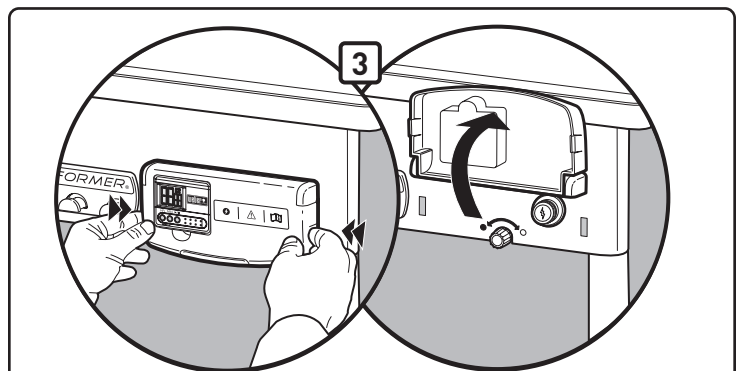
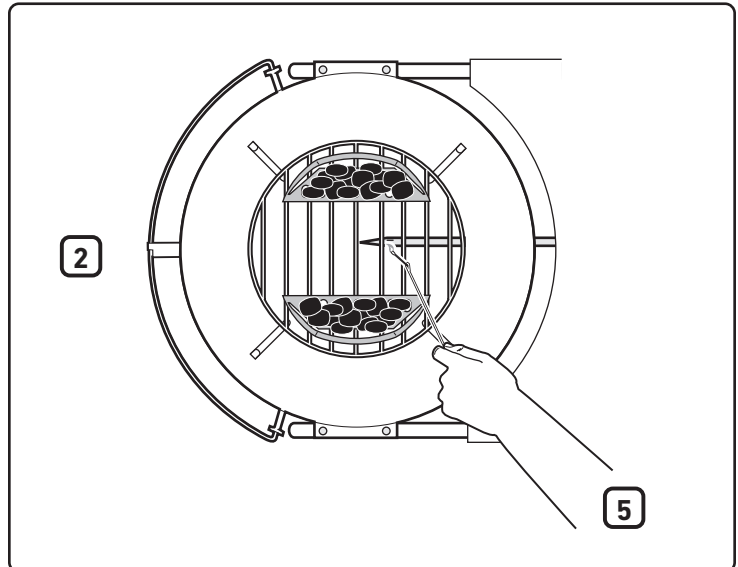
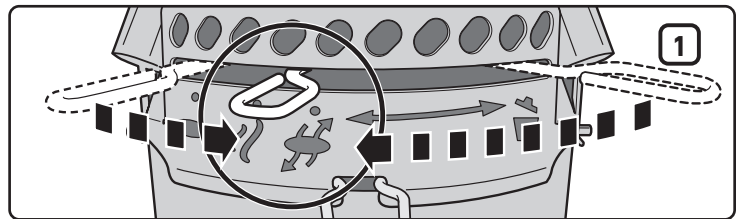
Prima di procedere all'accensione aprire il coperchio. Non utilizzare alcun liquido infiammabile come liquidi accenditori, benzina, alcol o altra forma di carbone autocombustibile, neppure in caso di accensione manuale. La mancata osservanza di tale indicazione può provocare lesioni personali gravi o mortali.

- A) Rimuovere il coperchio del barbecue prima di utilizzare il sistema di accensione.
- ⚠ **PERICOLO:** la mancata osservanza di tale indicazione può causare un accumulo di gas e provocare incendi o esplosioni, con conseguenti lesioni personali gravi o mortali e danni alle cose.
- B) Aprire le valvole di tiraggio sul fondo del braciere (1).
- C) Allontanare i CHAR-BASKETS dal bruciatore (2).
- D) Premere sulle linguette del coperchio del comando del gas (3) e aprirlo sollevandolo.
- E) Mettere un fiammifero nel portafiammiferi. Accendere il fiammifero.
- F) Ruotare la manopola di regolazione del gas in posizione ON (in senso antiorario) di almeno un giro completo (4).
- G) Posizionare la fiamma del fiammifero sul retro del foro del bruciatore (5).
- ⚠ **AVVERTENZA:** durante l'accensione manuale non posizionare le mani direttamente sul bruciatore.
- ⚠ **AVVERTENZA:** non chinarsi sul barbecue aperto in fase di accensione.
- ⚠ **ATTENZIONE:** in una giornata particolarmente soleggiata potrebbe essere difficile vedere la fiamma.
- H) Per posizionare nuovamente i CHAR-BASKETS sul bruciatore utilizzare presine per barbecue e delle pinze.
- I) Una volta acceso il carbone, (dopo circa 5 minuti), ruotare il comando del gas in posizione OFF (in senso orario) fino a chiuderlo.
- J) È possibile iniziare la cottura quando sulle bricchette si sarà formato uno strato sottile di cenere grigia (circa 25-30 minuti).

PER SPEGNERE

Portare la manopola di controllo del gas fino alla posizione di CHIUSURA (ruotando in senso orario) fino a interrompere l'erogazione.

⚠ **Per riposizionare i CHAR-BASKETS sul bruciatore, indossare guanti o muffole da barbecue (conformi a EN 407, livello di resistenza al calore da contatto 2 o superiore) e utilizzare pinze.**



FUNZIONAMENTO DEL TIMER

Questo timer per cucinare digitale è resistente all'acqua ed offre funzionalità di conto alla rovescia e in avanti in ore, minuti e secondi.

Per impostare il tempo per il conto alla rovescia:

- Premere il pulsante **Start/Stop (Avvio/Stop): ▶ / ■** per attivare la retroilluminazione.
- Premere il pulsante **HR (1)** per impostare il numero di ore. Tenere premuto il pulsante per far avanzare le cifre (impostazione massima: 99 ore) **(4)**.
- Premere il pulsante **MIN (2)** per impostare il numero di minuti. Tenere premuto il pulsante per far avanzare le cifre (impostazione massima: 59 minuti) **(5)**.
- Quando il tempo è stato impostato, premere il pulsante **Start Stop (Avvio/Stop): ▶ / ■ (3)** per avviare il conto alla rovescia.
- Quando il tempo è scaduto, l'allarme suonerà per 30 secondi e automaticamente riavvierà il conto alla rovescia dalla precedente impostazione del tempo.

IMPORTANTE

Quando sul timer rimane più di un'ora nel conto alla rovescia, le lettere **H** e **M** (Ore e Minuti) lampeggeranno; i numeri mostreranno il conto alla rovescia di ciascun minuto. Quando sul timer rimane meno di un'ora di tempo, le lettere **H** e **M** diventeranno **M** e **S** (Minuti e Secondi) e verrà effettuato il conto alla rovescia dei secondi; i numeri cominceranno a mostrare il conto alla rovescia di ogni secondo.

Per azzerare il tempo:

- Premere il pulsante **Start/Stop (Avvio/Stop): ▶ / ■** per attivare la retroilluminazione.
- Premere il **HR** e **MIN:** ↻ simultaneamente **(1)(2)**.

Per impostare il timer per il conto in avanti:

- Premere il pulsante **Start/Stop (Avvio/Stop): ▶ / ■** per attivare la retroilluminazione.
- Premere il pulsante **Start/Stop (Avvio/Stop): ▶ / ■** per avviare di nuovo il conto in avanti. Durante il conto in avanti, il display mostrerà la lettura nei formati di ora/minuto e minuto/secondo.
- Premere il pulsante **Start/Stop (Avvio/Stop): ▶ / ■** due volte per arrestare il timer. Il conto in avanti si arresterà dopo 99 ore **(4)**, 59 minuti **(5)**.

Spegnimento automatico:

- Per risparmiare la carica della batteria, la retroilluminazione si spegne dopo 10 secondi. Il timer si spegnerà completamente dopo 10 minuti di inattività.

Nota: se si utilizza il timer in un ambiente soggetto a scariche elettrostatiche (elettricità statica), l'impostazione del tempo potrebbe andare persa. In questo caso, impostare nuovamente il timer.

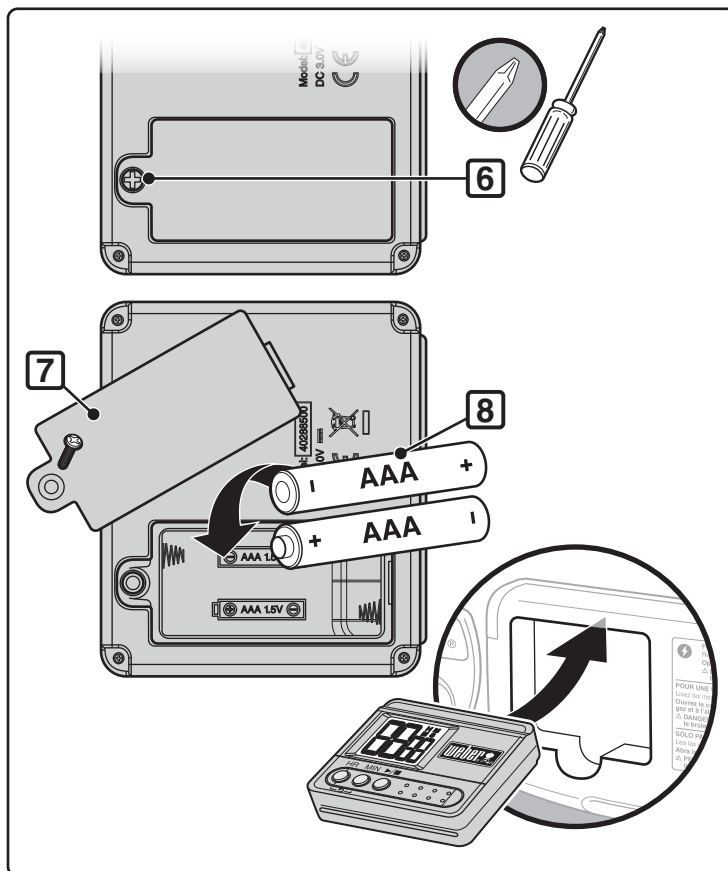
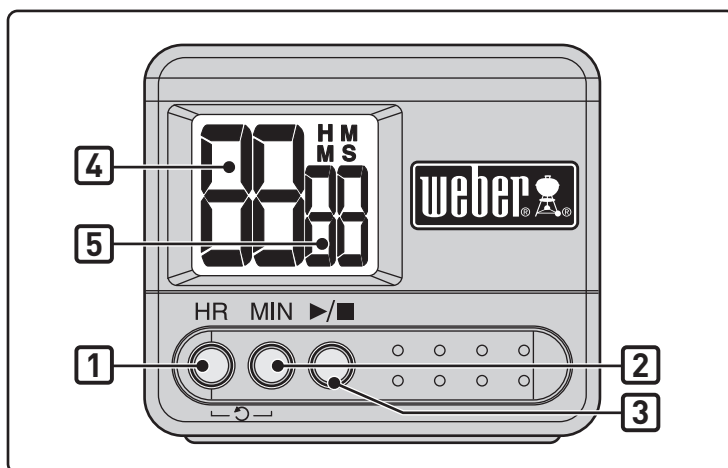
Installazione della batteria:

- Usare un cacciavite Phillips per sbloccare il vano batteria sul retro del timer **(6)** girando la vite in senso orario.
- Rimuovere il coperchio della batteria dal retro del timer **(7)**.
- Aggiungere o sostituire le batterie AAA **(8)**.
- Chiudere nuovamente il vano con il coperchio.
- Bloccare il coperchio della batteria girando la vite in senso antiorario con un cacciavite Phillips.
- Quando le batterie sono installate, **(0000)** apparirà sullo schermo LCD.

Manutenzione:

- Non pulire il timer con un composto abrasivo o corrosivo. Una tale operazione potrebbe graffiare o corrodere i circuiti elettronici.
- Evitare di sottoporre il timer a forza eccessiva, scosse e polvere e di esporlo a temperature eccessive o umidità. Una tale procedura potrebbe causare malfunzionamento, ridurre la vita utile dei meccanismi elettronici, danneggiare la batteria o deformare le parti.
- Non manomettere i componenti interni del timer. Una tale operazione annullerà la garanzia del timer e potrebbe causare danni non necessari alla batteria e alle parti interne.
- Non esporre eccessivamente il timer alla diretta luce del sole o alla pioggia a diretto.
- Non immergere il timer nell'acqua.

Per garantire prestazioni ottimali, si consiglia di conservare il timer in ambienti interni quando non è in uso.



PROBLEMA	CONTROLLO	SOLUZIONE
La fiamma del bruciatore è gialla o arancione e si avverte odore di gas.	Ispezionare il bruciatore e verificare che non vi siano ostruzioni.	Pulire il bruciatore. (Vedere la sezione "Manutenzione")
Il bruciatore non si accende o la fiamma è bassa.	Il livello di GPL è basso o la bombola è vuota?	Sostituire la bombola di GPL.
	Il tubo flessibile del gas è piegato o attorcigliato?	Raddrizzarlo.
	Il bruciatore si accende con un fiammifero?	Se si riesce ad accendere il bruciatore con un fiammifero, controllare il sistema di accensione.
	Il tubo è collegato correttamente al bruciatore?	Collegare il tubo del gas al bruciatore utilizzando il fermo metallico fornito. ⚠ PERICOLO: non utilizzare il sistema di accensione se manca il fermo. La mancanza del fermo può provocare lesioni personali gravi o mortali e danni alle cose. Per un fermo di ricambio contattare il Servizio Assistenza Clienti.
La fiamma che esce dal bruciatore ha un aspetto irregolare.	Il bruciatore è pulito?	Pulire il bruciatore. (Vedere la sezione "Manutenzione")
Il bruciatore non si accende quando si preme il pulsante di accensione.	Verificare che il gas arrivi ai bruciatori provando ad accenderli con i fiammiferi. Consultare il capitolo "ACCENSIONE MANUALE."	Se i bruciatori si accendono col fiammifero, si tratta di un problema al sistema di accensione. Consultare il capitolo "FUNZIONAMENTO DEL SISTEMA DI ACCENSIONE ELETTRONICA"..
	Le batterie sono cariche?	Assicurarsi che la batteria sia in buono stato e correttamente installata. Consultare il capitolo "ISPEZIONE DELL'ACCENDITORE ELETTRONICO."
	I fili sono collegati in modo corretto al sistema di accensione?	Verificare che i cavi siano ben inseriti nei morsetti della scatola. Consultare il capitolo "FUNZIONAMENTO DEL SISTEMA DI ACCENSIONE ELETTRONICA."
	La nuova batteria è rivestita in plastica?	Togliere l'involucro in plastica.
Il timer non funziona.	Sono installate batterie nuove?	Accertarsi che le batterie siano in buone condizioni e installate correttamente. Fare riferimento a "FUNZIONAMENTO DEL TIMER".
L'interno del coperchio sembra ricoperto di "scaglie". (Come di vernice scrostata).	Quello si vede è grasso "cotto", diventato carbone, che si sta sfaldando. NON È UN DIFETTO.	Pulire accuratamente. (Vedere la sezione "Pulizia")
Se, dopo aver messo in atto questi accorgimenti, i problemi persistono, contattare il responsabile di zona del Servizio Assistenza Clienti, consultando l'area contatti del nostro sito Web. Visitare il sito www.weber.com .		

MANUTENZIONE

Dopo un periodo di non utilizzo, per la vostra sicurezza, vi consigliamo di seguire le seguenti procedure di manutenzione.

- Prima di ogni utilizzo del barbecue controllare che il tubo flessibile non presenti tacche, crepe, abrasioni o tagli. Se il tubo flessibile risulta inutilizzabile, non utilizzare il barbecue. Sostituirlo solo con componenti WEBER autorizzati. **Contattare il responsabile di zona del Servizio Assistenza Clienti, consultando l'area contatti del nostro sito Web. Visitare www.weber.com.**

⚠ ATTENZIONE: se il tubo del gas del barbecue risulta in qualche modo danneggiato o presenti delle perdite, non utilizzare il barbecue.

- Ispezionare il bruciatore e assicurarsi che produca la fiamma caratteristica (vedere la sezione "Fiamma caratteristica del bruciatore"). Se necessario, procedere alla pulizia seguendo le procedure indicate nella presente sezione.
- Controllare che tutti i raccordi del gas e verificare che non vi siano perdite (vedere la sezione "Controllo di eventuali perdite di gas").

PULIZIA PERIODICA

Per rimuovere le ceneri dal braciere, muovere lateralmente l'asta di regolazione (1) in modo che le pale delle valvole di tiraggio convogliano le ceneri attraverso le prese d'aria del braciere e quindi nel raccoglienerne.

⚠ ATTENZIONE: assicurarsi che il bruciatore sia spento e che il barbecue sia freddo prima di procedere alla pulizia.

Non allargare i fori del bruciatore durante la pulizia.

Per pulire il bruciatore:

- Spazzolare la parte esterna dell'area del bruciatore (2) e del foro del bruciatore (3) con una spazzola metallica.

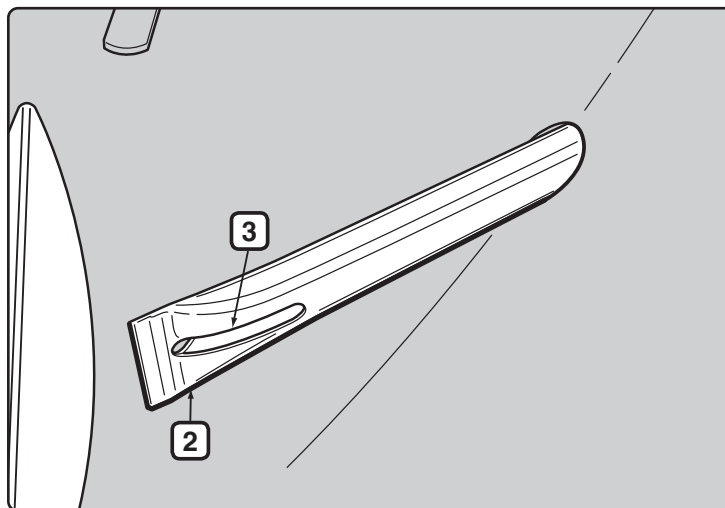
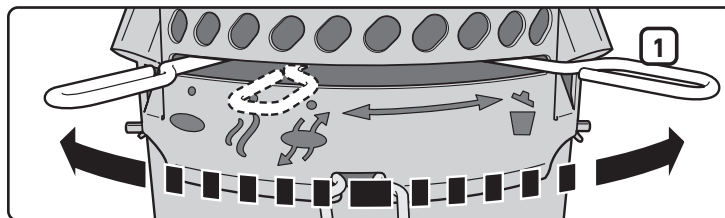
⚠ ATTENZIONE: non allargare i fori del bruciatore o il foro del gas durante la pulizia.

Per pulire il "kettle":

- Quando il coperchio è caldo, passare l'interno con della carta da cucina per evitare accumuli di grasso.
- Per le superfici esterne utilizzare una soluzione di sapone e acqua calda, quindi risciacquare con acqua pulita.

Per una pulizia più completa (da effettuarsi almeno una volta all'anno):

- A) Rimuovere le ceneri dopo che le braci si sono spente completamente.
- B) Rimuovere le griglie e i cesti CHAR-BASKETS.
- C) Strofinare con della carta da cucina. Pulire con acqua e detergente non aggressivo. Risciacquare accuratamente con acqua pulita e asciugare completamente.



IMMAGAZZINAMENTO

- Nel caso in cui il barbecue Performer venga riposto in un ambiente chiuso, scollegare l'alimentazione del gas e posizionare la bombola di GPL all'aperto in un luogo ben ventilato.
- Le bombole di GPL devono essere riposte all'aperto in un'area ben ventilata e fuori dalla portata dei bambini. Non devono essere riposte all'interno di edifici, garage o altri ambienti chiusi.
- Dopo un periodo di immagazzinamento e/o non utilizzo, verificare che non vi siano perdite di gas e che il bruciatore non sia ostruito prima di utilizzare il barbecue (vedere la sezione "Manutenzione").
- Prima dell'uso verificare che nella zona intorno alla bombola, al tubo e al gruppo bruciatore non vi siano residui che possano ostruire il flusso di gas o aria.

ALLARME INSETTI

Il barbecue Performer, come qualsiasi altro dispositivo a gas per esterni, è un facile bersaglio per ragni e insetti. Possono annidarsi nella sezione venturi (1) del bruciatore facendo rifluire il gas dalla serranda dell'aria.

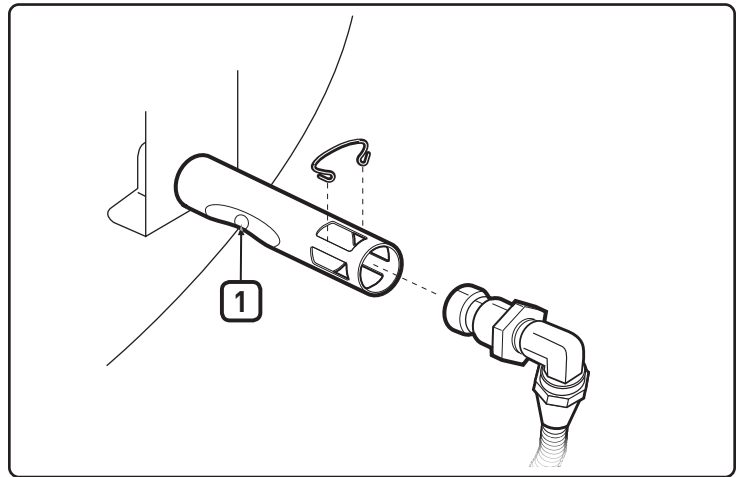
Ciò può provocare un incendio all'interno e intorno al bruciatore sotto il pannello del braciere. Può danneggiare seriamente il barbecue e comprometterne il funzionamento.

Si consiglia vivamente di ispezionare e di pulire il bruciatore almeno una volta all'anno oppure in presenza dei seguenti segnali:

- A) Si avverte contemporaneamente odore di gas e le fiamme del bruciatore sono "lente" e di colore giallo.
- B) Il bruciatore emette rumori "scoppiettanti".

⚠ PERICOLO

Il mancato intervento, alla comparsa di questi segnali, potrebbe provocare incendi o esplosioni e causare lesioni personali gravi o mortali, o danni alle cose.



ISPEZIONE E PULIZIA DEL BRUCIATORE

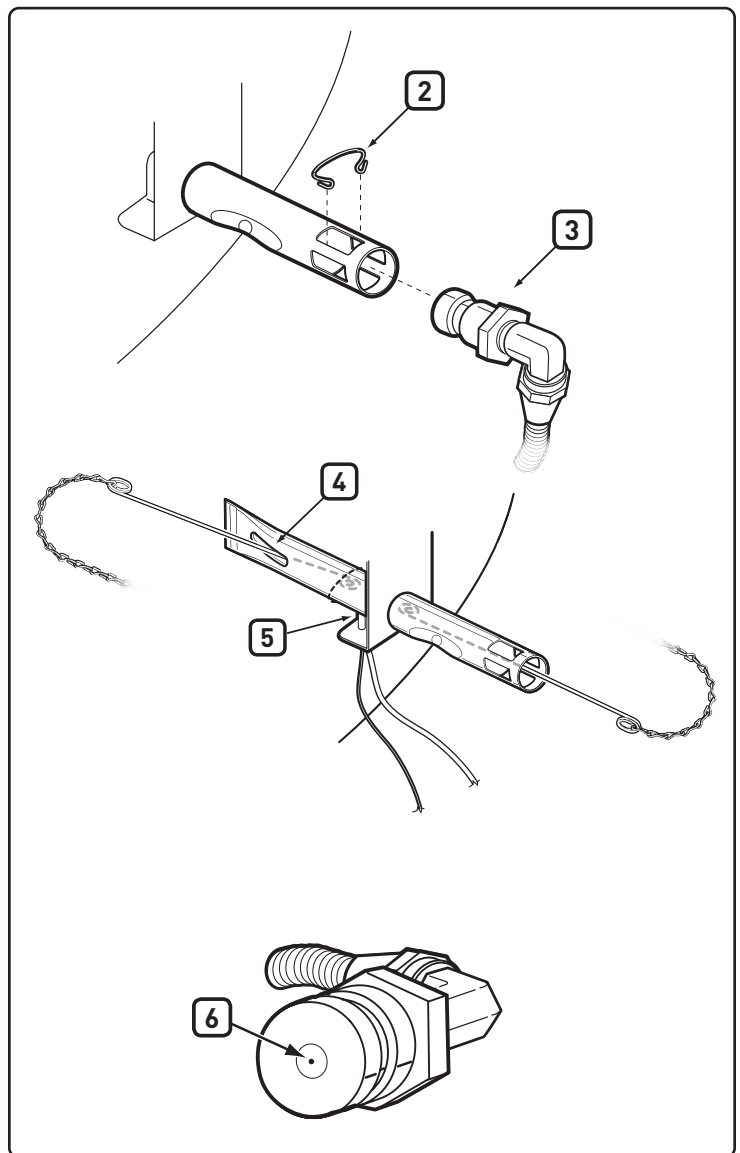
- A) Scollegare il gas.
- B) Estrarre il contenitore antintemperie CHARBIN.
- C) Rimuovere il fermo per foro (2) e il tubo (3) dal bruciatore.
- D) Controllare l'interno del bruciatore servendosi di una torcia elettrica.
- E) Pulire l'interno del bruciatore con il portafiammifero (montato dietro la targhetta con il logo WEBER).

Utilizzare la parte metallica per pulire l'area della serranda, la sezione venturi e i fori del bruciatore (4) all'interno del braciere. Quando si inserisce lo strumento di pulizia del bruciatore fare attenzione a non danneggiare l'elettrodo dell'accenditore (5).

- F) Controllare nuovamente con la torcia elettrica che non vi siano ostruzioni.
- G) Se necessario, pulire la superficie del tubo con una spazzola metallica. Il foro (6) può essere pulito con un piccolo spillo.

⚠ ATTENZIONE: non allargare il foro durante la pulizia.

- H) Riassemblare invertendo i punti B e C.

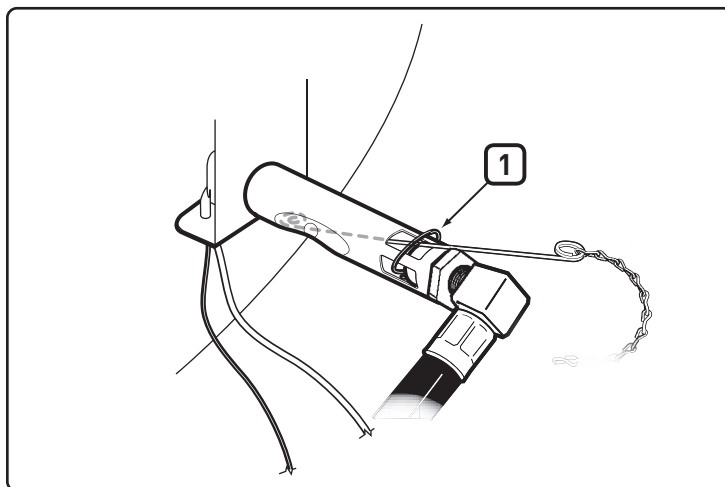


PULIZIA VELOCE PERIODICA

Si consiglia di spazzolare periodicamente la parte esterna dei fori del bruciatore con una spazzola metallica e pulire il bruciatore attraverso la presa dell'aria di combustione con il portafiammiferi fornito.

L'operazione può essere effettuata posizionando la presa dell'aria di combustione (1) del bruciatore sotto il supporto del braciere e inserendo lo strumento attraverso ciascuna presa dell'aria di combustione, ruotandolo. Quando si inserisce il portafiammiferi fare attenzione a non danneggiare l'elettrodo dell'accenditore.

⚠ ATTENZIONE: aumentare la frequenza degli interventi di pulizia durante i mesi primaverili ed estivi.



ISPEZIONE DEL SISTEMA DI ACCENSIONE ELETTRONICA

Se il sistema di accensione elettronica non funziona, verificare che il gas arrivi provando ad accendere i bruciatori con un fiammifero. Consultare il capitolo "ACCENSIONE MANUALE". Se il fiammifero riesce ad accendere, si tratta di un problema all'accensione elettronica.

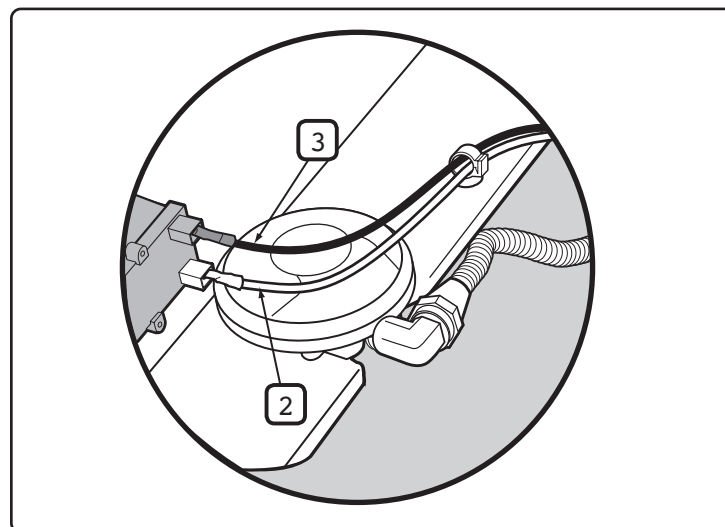
⚠ AVVERTENZA: le manopole di controllo e le valvole di immissione devono trovarsi in posizione di chiusura.

- Verificare che la batteria AAA (esclusivamente alcalina) sia in buone condizioni e che sia correttamente installata (1). Alcune batterie sono avvolte in una pellicola protettiva in plastica. La plastica deve essere tolta. Non confondere questa plastica con l'etichetta della batteria.
- Assicurarsi che il cavo di accensione bianco (2) e quello nero (3) siano collegati correttamente.
- Verificare che il pulsante di accensione elettronica funzioni ascoltando e controllando che si producano scintille nel bruciatore.
- Verificare che l'accenditore non sia allentato. Stringere se necessario; per la procedura corretta, vedere il capitolo "Installazione".

Sostituire Le Batterie Se Necessario

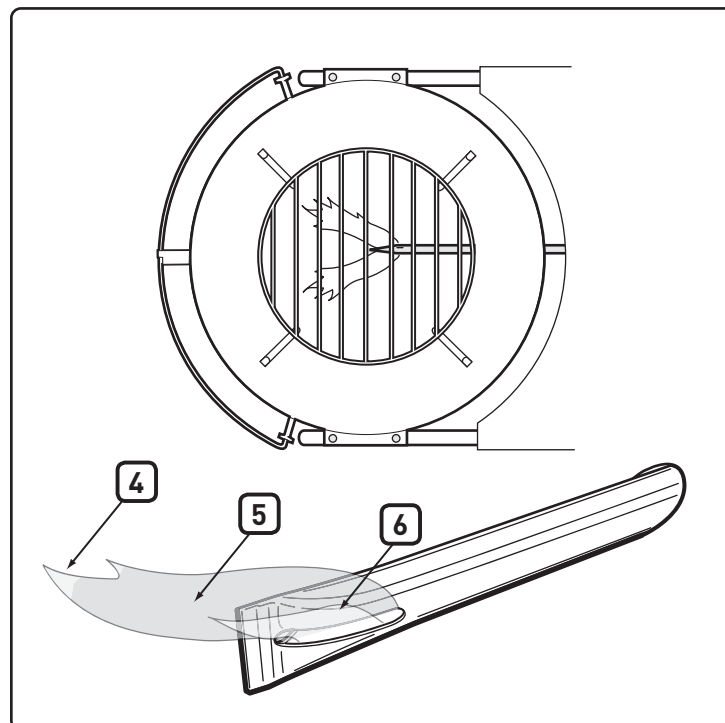
Utilizzare esclusivamente batterie alcaline AAA.

Se il sistema di accensione elettronica non funziona ancora, contattare il responsabile di zona del Servizio Assistenza Clienti, consultando l'area contatti del nostro sito web. Visitare il sito www.weber.com.



FIAMMA CARATTERISTICA DEL BRUCIATORE

Il bruciatore è stato regolato dal costruttore per produrre la corretta miscela di aria e gas. La fiamma corretta deve avere le estremità giallastre (4), essere blu scura nella parte centrale (5) e azzurra in corrispondenza del bruciatore (6). Se le fiamme non appaiono come indicato o se si odono rumori "scoppiettanti", seguire la procedura di pulizia del bruciatore.



⚠ ATTENZIONE: questo prodotto è stato sottoposto a controlli di sicurezza ed è certificato solo per l'utilizzo nel paese specificato. Consultare l'indicazione del paese sull'esterno della confezione.

Le parti indicate possono contenere gas e sono utilizzate per il trasporto e la combustione di gas. Contattare il Servizio Assistenza Clienti Weber-Stephen Products LLC per informazioni sulle parti di ricambio originali Weber-Stephen Products LLC.

⚠ AVVERTENZA: non tentare di eseguire riparazioni di qualsiasi genere sui componenti atti al trasporto e alla combustione di gas, senza aver preventivamente consultato il Servizio Assistenza Clienti Weber-Stephen Products LLC. Il vostro intervento, in caso di mancata osservanza della presente avvertenza, potrebbe causare incendi o esplosioni con conseguenti lesioni personali gravi o mortali o danni alle cose.



WEBER-STEPHEN PRODUCTS LLC
www.weber.com

PERFORMER DELUXE

Brukerhåndbok for brikettgrill

Les bruksanvisningen før du bruker grillen.

Montering -  p. 6

NO

**DU MÅ LESE DENNE BRUKERHÅNDBOKEN
FØR DU BEGYNNER Å BRUKE GASSGRILLEN**

⚠ FARE

Hvis det lukter gass:

1. Steng av gasstilførselen til apparatet.
 2. Slukk eventuelle åpne flammer.
 3. Åpne lokket.
 4. Hvis lukten fremdeles er tilstede, hold deg unna apparatet og ring øyeblikkelig gassleverandøren eller brannvesenet.
- Gass som lekker kan resultere i brann eller eksplosjon som kan forårsake alvorlig personskade eller død, eller skade eiendom.

⚠ ADVARSEL:

1. Ikke lagre eller bruk bensin eller andre brennbare gasser og væsker i nærheten av dette eller andre apparater.
2. En gassbeholder som ikke er tilkoblet for bruk skal ikke lagres i nærheten av dette eller andre apparater.

⚠ ADVARSEL: Følg nøye alle prosedyrer for lekkasjesjekk i denne håndboken før grillen brukes. Gjør dette selv om grillen ble montert av forhandler.

⚠ ADVARSEL: Ikke prøv å tenne Weber-gassgrillen uten å ha lest instruksjonene om "Tenning" i denne håndboken.

INFORMASJON TIL INSTALLATØREN:
Denne håndboken må følge med eieren, som bør oppbevare den for fremtidig bruk.

MÅ BARE BRUKES UTENDØRS.



NO - NORWEGIAN

HVIS DU IKKE FØLGER INFORMASJONEN SOM ER OPPGITT I DENNE BRUKSANVISNINGEN OM FARER, ADVARSLER OG FORHOLDSREGLER, KAN DET RESULTERE I ALVORLIG PERSONSKADE ELLER DØD, ELLER TIL BRANN ELLER EN EKSPLOSJON SOM FORÅRSAKER SKADE PÅ EIENDOM.

- △ SIKKERHETSSYMBOLENE (△) varsler deg om viktig SIKKERHETSINFORMASJON.
- △ Varslingsordene FARE, ADVARSEL eller OBS! vil brukes sammen med SIKKERHETSSYMBOLER.
- △ FARE identifiserer den alvorligste faren.
- △ Les all sikkerhetsinformasjonen i denne bruksanvisningen før du bruker grillen.

△ FARER

- △ Grillen må ikke brukes under et brennbart overbygg eller overheng.
- △ Feilmontering kan være farlig. Følg monteringsanvisningene i denne bruksanvisningen. Grillen må ikke brukes hvis ikke alle deler er montert. Pass på at enten askeoppsamleren er godt festet til bena under grillen eller at den store askeoppsamleren er på plass, før du tenner grillen.
- △ Brennbare materialer må aldri være nærmere enn 60 cm fra grillens topp, bunn, bakside eller sider.
- △ Ikke len deg over grillen når du tenner gassbrenneren.
- △ Grillen må ikke brukes når det er sterk vind.
- △ Grillen må ikke brukes ved en gasslekkasje.
- △ Ikke bruk en flamme til å lete etter en eventuell gasslekkasje.
- △ Hvis brenneren slukker ved bruk, må du skru igjen ventilen på beholderen. Ta av lokket og vent i fem minutter før du forsøker å tenne opp igjen, ved bruk av opptenningsinstruksjonene som er gjengitt i denne anvisningen.
- △ Ikke forsøk å koble gassregulatoren fra beholderen eller en gasstilkobling når grillen brukes.
- △ Bruk kun LP-gassregulatoren som følger med grillen.

△ ADVARSLER

- △ Følg anvisningene for tilkobling av regulatoren for den aktuelle gassgrillen.
- △ Ikke oppbevar reserve- eller frakoblede LP-engangsbeholdere under eller nær grillen.
- △ Sørg for at grillen står på et stabilt og flatt underlag til enhver tid, og unna alle brennbare materialer.
- △ Ikke legg grilltrekket eller annet brennbart materiale på eller i oppbevaringsområdet under grillen.
- △ Ta alltid av lokket før du tenner gassbrenneren, enten manuelt eller med tenneren. Lokket må være AV inntil brikettene er helt tent.
- △ Bruk riktig grillredskap med lange og varmebestandige håndtak.
- △ Noen modeller kan være utstyrt med en TUCK-AWAY- lokkholder. Lokket settes i TUCK-AWAY- lokkholderen når du skal kontrollere og snu maten. Ikke bruk TUCK-AWAY- lokkholderen som et håndtak til å løfte eller flytte grillen. Man må ikke plassere varmt lokk på teppe eller gress. Lokket må ikke henges på grillhåndtaket.
- △ Vær forsiktig ved håndtering og oppbevaring av varme elektriske startere.
- △ Hold elektriske ledninger unna de varme overflatene på grillen og steder hvor folk går frem og tilbake.
- △ Hvis grillen ikke har vært brukt i en periode, må du kontrollere om det finnes gasslekkasjer og om brenneren er blokkert før du bruker grillen. Se riktig fremgangsmåte i denne bruksanvisningen.
- △ Ombygging eller forsøk på å bruke naturgass i denne grillen er farlig og gjør garantien ugyldig.
- △ En LP-engangsbeholder som er bulket eller rusten kan være farlig og bør kontrolleres av propanleverandøren. Ikke bruk en LP-engangsbeholder med ødelagt ventil.
- △ Selv om LP-engangsbeholderen tilsynelatende er tom, kan den fremdeles inneholde gass. Engangsbeholderen skal derfor transporteres og oppbevares i samsvar med dette.
- △ Bruk varmebestandige grillvotter eller -hansker (som er i overensstemmelse med EN 407, vurderingsnivå 2 eller høyere for berøringsvarme) mens du griller, justerer luftventilene, legger til kull, og håndterer termometer eller lokk.
- △ Hvis du ser, lukter eller hører at det lekker gass fra LP-engangsbeholderen:
 1. Gå unna LP-engangsbeholderen.
 2. Ikke prøv å korrigerer problemet selv.
 3. Ring brannvesenet.

△ OBS!

- △ Bruk av aluminiumsfolie i bunnen av grillen vil hindre luftstrømmen. Bruk en dryppanne i stedet til å fange opp overskytende væske og fett når du bruker den indirekte grillmetoden.
- △ Bruk av skarpe gjenstander til rengjøring av grillristen eller fjerning av aske vil skade overflaten.
- △ Bruk av skuremidler på grillristene eller i selve grillen vil skade overflaten.
- △ Grillen må regelmessig rengjøres grundig.

Takk for at du kjøpte et WEBER-produkt. 1415 S. Roselle Road, Palatine, Illinois 60067 USA ("WEBER") er stolt over å kunne levere et sikkert, holdbart og pålitelig produkt. Dette er WEBERs begrensede garanti som du får uten ekstra gebyr. Den inneholder informasjonen du trenger for å få WEBER-produktet reparert ved en feil eller defekt.

I henhold til gjeldende lover, har kunden flere rettigheter hvis produktet er defekt. Disse rettighetene inkluderer tilleggsytelse eller utskifting, reduksjon i innkjøpsprisen og kompensasjon. I den Europeiske Unionen, kan det for eksempel være en to-års lovbestemt garanti som starter på den datoen produktet blir levert. Disse og andre lovbestemte rettigheter påvirkes ikke av denne garantibestemmelsen. Faktum er at denne garantien gir tilleggsrettigheter til eieren som er uavhengig av lovbestemte garantibestemmelser.

WEBERS BEGRENSEDE GARANTI

WEBER gir, til kjøperen av WEBER-produktet (eller i tilfelle en gave eller salgsfremmende situasjon, den personen som mottok det som en gave eller en salgsfremmende gjenstand), at WEBER-produktet er uten defekter i materiale og utførelse for den tidsperioden som er angitt under når det er montert og brukt i samsvar med den tilhørende brukerhåndboken. (Merk: Hvis du mister eller forlegger brukerhåndboken for WEBER, er det tilgjengelig en erstatning online på www.weber.com, eller en slik nettside for det spesielle landet som eieren kan be om å bli videresendt til.) Ved bruk og vedlikehold i normale, private eneboliger eller leiligheter, godtar WEBER å reparere eller erstatte defekte deler innen relevante tidsperioder, begrensninger og unntak oppført under. I DEN GRAD DET ER TILLATT AV GJELDENE LOV, GIS DENNE BEGRENSEDE GARANTIEN BARE TIL DEN OPPRINNELIGE KJØPEREN OG KAN IKKE OVERFØRES TIL ETTERFØLGENDE EIERE, UNNTATT VED GAVER OG REKLAMEFREMMEDE GJENSTANDER SOM NEVNT OVENFOR.

EIERENS ANSVAR UNDER DENNE GARANTIEN

For å sikre feilfri garanti dekning, er det viktig (men det kreves ikke) at du registrerer ditt WEBER-produkt online på www.weber.com, eller slik nettside for det spesielle landet som eieren kan be om å bli videresendt til). Vennligst behold også den originale kvitteringen og/eller fakturaen. Hvis du registrerer WEBER-produktet, er det din bekreftelse på garanti dekningen og gir en direkte kobling mellom deg og WEBER i tilfelle vi har behov for å kontakte deg.

Garantien ovenfor gjelder bare hvis eieren tar godt vare på WEBER-produktet ved å følge alle monteringsinstruksjoner, brukerinstruksjoner og forbyggende vedlikehold som er beskrevet i den tilhørende brukerhåndboken, med mindre eieren kan bevise at defekten eller feilen er uavhengig av ikke-samsvar med forpliktelsene som er nevnt ovenfor. Hvis du bor langs kysten, eller oppbevarer produktet i nærheten av et svømmebasseng, vil vedlikeholdet inkludere regelmessig vasking og skylling av utvendige overflater som beskrevet i den medfølgende brukerhåndboken.

GARANTIBEHANDLING / UTELUKKELSE AV GARANTI

Hvis du tror at du har en del som dekkes av denne garantien, kontakt WEBER kundeservice ved å bruke kontaktinformasjonen på vår nettside (www.weber.com, eller nettstedet for det spesielle landet som eieren kan be om å bli videresendt til). WEBER vil, etter å ha undersøkt dette, reparere eller skifte (etter eget valg) en defekt del som dekkes av denne garantien. Hvis det ikke er mulig å reparere eller skifte, kan WEBER velge (etter eget valg) å erstatte den aktuelle grillen med en ny grill av lik eller høyere verdi. WEBER kan be deg om å returnere deler for inspeksjon, der forsendelsesgebyret skal forhåndsbetales.

Denne GARANTIEN fratrasles hvis det er skader, forringelser, misfarging og/eller rust som WEBER ikke er ansvarlig for:

- Misbruk, feilaktig bruk, endringer, modifisering, uriktig anvendelse, vandalisering, forsømmelse, feilaktig montering eller installasjon, og mangel på å utføre normal og rutinemessig vedlikehold;
- Insekter (som edderkopper) og gnagere (som ekorn) inkludert, men ikke begrenset til, skader på brennerør og/eller gaslanger;
- Eksponering mot salt luft og/eller klorkilder som svømmebasseng og boblebad;
- Alvorlige værforhold som hagl, orkaner, jordskjelv, tsunamier eller flom, tornadoer eller alvorlige stormer.

Bruk og/eller montering av deler på ditt WEBER-produkt som ikke er originale WEBER-deler vil oppheve denne begrensede garantien, og eventuelle skader som er et resultat av dette dekkes ikke av denne garantien. Alle ombygginger av en gassgrill som ikke er autorisert av WEBER og utføres av en WEBER-autorisert servicetekniker, vil annullere denne garantien.

RESERVE SLANGE, REGULATOR OG MANIFOLD

⚠ VIKTIG MERKNAD: Vi anbefaler at du skifter gaslangen på Weber-gassgrillen hvert 5. år. Noen land kan ha krav om at gaslangen skal skiftes oftere enn hvert 5 år, da vil landets lov ha forrang.

For utskifting av slange, regulator og manifold må du kontakte kundeservice-representanten i ditt område ved å bruke kontaktinformasjonen på vår webside. Logg deg inn på www.weber.com.

PRODUKTGARANTIPERIODER

Bunn, lokk og midtring:
10 år, ingen gjennomrusting/gjennombrønning

ONE-TOUCH rengjøringsystem:
5 år, ingen gjennomrusting/gjennombrønning

Plastkomponenter:
5 år, unntatt falming eller misfarging

Alle resterende deler:
2 år

ANSVARSFRAKRIVELSE

BORTSETT FRA GARANTI OG ANSVARSFRAKRIVELSENE SOM ER BESKREVET I DENNE GARANTIERKLÆRINGEN, ER DET UTTRYKkelig INGEN VIDERE GARANTI ELLER BEGRENSET DEKLARASJON PÅ ANSVAR SOM ER GITT HER OG SOM GÅR UT OVER LOVBESTEMT ANSVAR SOM GJELDER FOR WEBER. DEN GJELDENE GARANTIERKLÆRINGEN BEGRENSER IKKE ELLER UTELATER SITUASJONER ELLER REKLAMASJONER HVOR WEBER HAR OBLIGATORISK ANSVAR SOM BESKREVET I LOV.

INGEN GARANTIER SKAL GJELDE ETTER DE RELEVANTE PERIODENE FOR DENNE GARANTIEN. INGEN ANDRE GARANTIER GITT AV NOEN PERSON, INKLUDERT EN FORHANDLER ELLER DETALJIST MED HENSYN TIL NOE PRODUKT (SOM EVENTUELL "UTVIDET GARANTI"), SKAL BINDE WEBER. DEN EKSKLUSIVE KOMPENSASJONEN FOR DENNE GARANTIEN ER REPARASJON ELLER ERSTATNING AV DELEN ELLER PRODUKTET.

UNDER INGEN OMSTENDIGHETER SKAL ERSTATNING AV NOE SLAG VÆRE STØRRE ENN KJØPESUMMEN FOR DET SOLGTE WEBER-PRODUKTET.

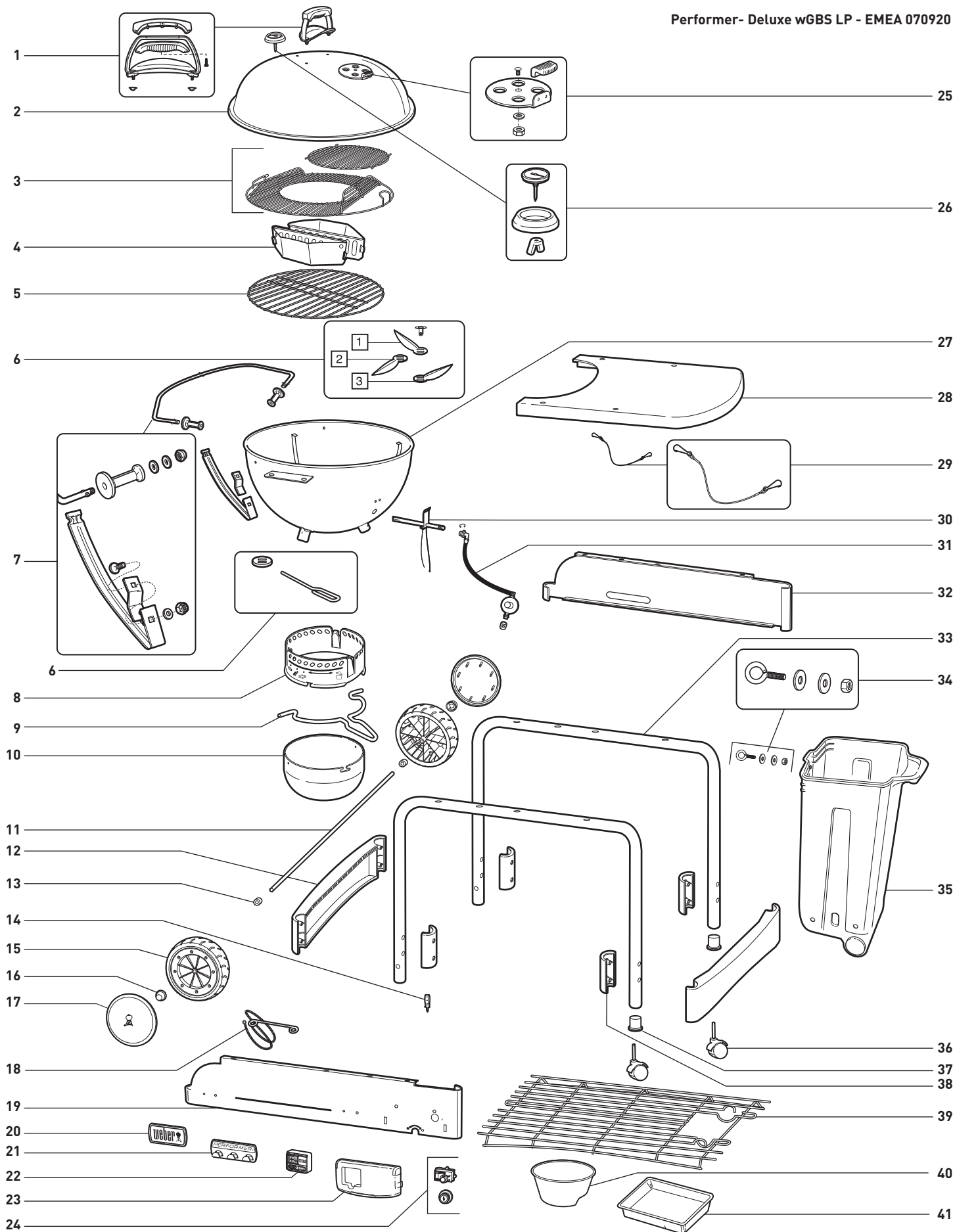
DU PÅTAR DEG RISIKO OG ANSVAR FOR TAP, SKADE ELLER PERSONSKADE PÅ DEG OG DIN EIENDOM OG/ELLER PÅ ANDRE OG DERES EIENDOM SOM FØLGE AV FEILAKTIG BRUK ELLER MISBRUK AV PRODUKTET ELLER MANGEL PÅ Å FØLGE INSTRUKSJONER GITT AV WEBER I DEN MEDFØLGENDE BRUKERHÅNDBOKEN.

DELER OG TILBEHØR ERSTATTET UNDER DENNE BEGRENSEDE GARANTIEN GARANTERES KUN FOR RESTEN AV DE(N) ORIGINALE GARANTIPERIODEN(E).

DENNE BEGRENSEDE GARANTIEN GJELDER KUN FOR BRUK I PRIVATE ENEBOLIGER ELLER LEILIGHETER, OG GJELDER IKKE FOR WEBER-GRILLER BENYTTET PÅ KOMMERSIELLE OG OFFENTLIGE STEDER SOM RESTAURANTER, HOTELLER, FERIESTEDER ELLER UTELEIE-EIENDOMMER.

WEBER KAN FRA TID TIL ANNEN ENDRE DESIGNET PÅ PRODUKTENE SINE. INGENTING I DENNE BEGRENSEDE GARANTIEN SKAL FORTOLKES SOM AT DET FORPLIKTER WEBER TIL Å INNLEMME SLIKE DESIGNENDRINGER I TIDLIGERE PRODUSERT PRODUKTER, SLIKE ENDRINGER SKAL HELLER IKKE FORTOLKES SOM EN INNØMMELSE AV AT TIDLIGERE DESIGN VAR DEFEKT.

LAND		GASSTYPE OG TRYKK
Danmark, Sverige, Norge, Finland, England, Nederland, Storbritannia, Frankrike, Spania, Portugal, Belgia, Irland, Hellas, Luxembourg, Italia, Tyskland, Østerrike		$I_{30/P} - 29 \text{ mbar}$
FORBRUKERDATA		
Tenne brenner. Maks.		
Propan/ Butanblanding	kW	g/h
	2,6	192



- | | | |
|-----------------------------------------|---------------------------------|------------------------------------------|
| 1. Lokkhåndtak | 15. Hjul | 29. CHARBIN-reguleringskjede |
| 2. Lokk | 16. Navkappe | 30. Brenner |
| 3. GBS -grillrist | 17. Hjul kapsel | 31. Slange og regulator med åpningsklips |
| 4. CHAR-BASKETS | 18. Fyrstikkholder | 32. Bakpanel |
| 5. Brikettrist | 19. Frontpanel | 33. Ramme til ben |
| 6. ONE-TOUCH-rengjøringssystem | 20. Logoskilt | 34. CHARBIN-festedel |
| 7. TUCK-AWAY-lokkholder og nedre støtte | 21. Redskapsholder | 35. CHARBIN |
| 8. Ring til askeoppsamler | 22. Digital timer | 36. Låsbart hjul |
| 9. Håndtak til askeoppsamler | 23. Deksel for gassregulator | 37. Hjulinnatts |
| 10. Stor askeoppsamler | 24. Tenningsknapp/tenningsmodul | 38. Rammebrakettklemme til ben |
| 11. Aksel | 25. Lokkspjeld | 39. Bunnrist |
| 12. Rammebrakett til ben | 26. Termometer | 40. Brikettkopp |
| 13. Avstandsstykke | 27. Bunn | 41. Dryppanne til engangsbruk |
| 14. Tennerledningsstøtte | 28. Bord | |

Hvis du har spørsmål eller trenger råd om grillen din eller hvordan den brukes på en sikker måte, kan du gå inn på www.weber.com.

- Disse instruksjonene inneholder minimumskravene for å montere WEBER-grillen. Les disse instruksjonene nøye før du bruker WEBER-grillen. Feilmontering kan være farlig.
- Skal ikke brukes av barn.
- Denne WEBER-grillen er kun konstruert for bruk med propan eller en propan-/butangassblanding. Den må ikke brukes med naturgass. Ventilen og regulatoren er kun beregnet på bruk med propan eller en propan-/butangassblanding.
- Denne WEBER-gassgrillen er ikke ment for kommersiell bruk.
- Bruk av alkohol, reseptbelagte eller reseptfrie medikamenter kan svekke brukerens evne til å montere eller bruke grillen på en trygg og riktig måte.
- Denne WEBER-grillen er ikke ment å være og skal aldri brukes som et varmeapparat.
- WEBER-grillen må aldri forlates uten tilsyn. Hold barn og kjæledyr unna WEBER-

grillen til enhver tid .

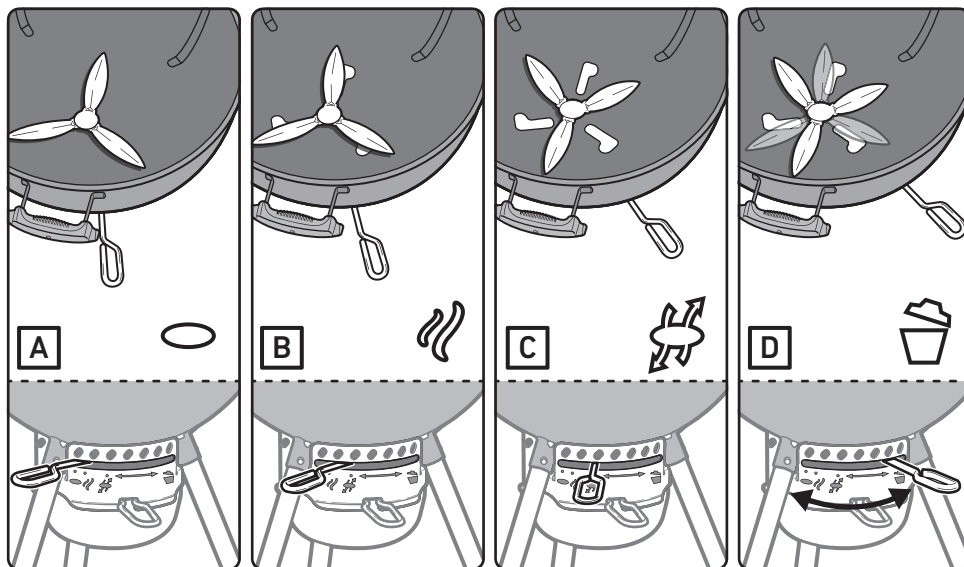
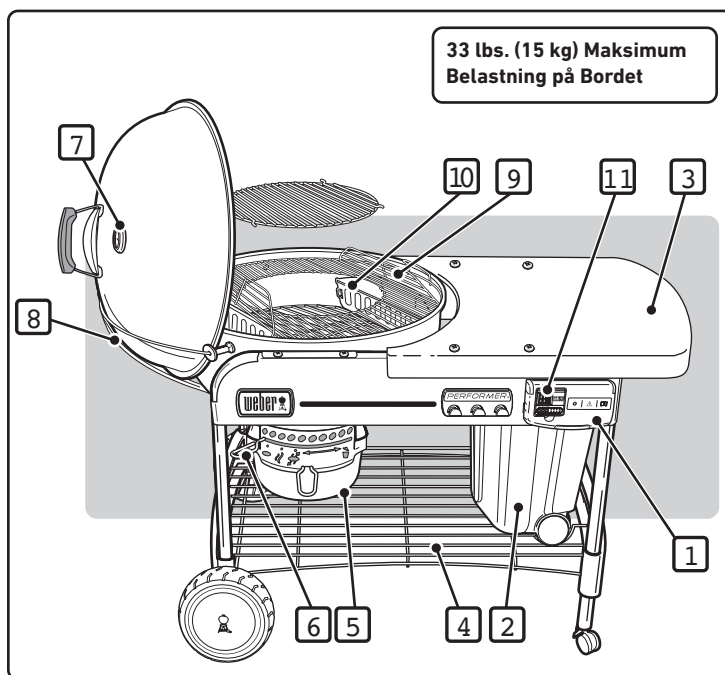
- Brukeren må ikke endre deler som er forseglet av produsenten.
- Modifikasjoner av grillen kan være farlig.
- Koble fra beholderen hvis 1) den er tom, 2) grillen oppbevares i en garasje eller et annet lukket område eller 3) grillen blir transportert.

⚠ Grillen må ikke flyttes når den er i bruk. La grillen kjøle seg ned før den flyttes.

⚠ Denne grillen er ikke ment å være og skal aldri brukes som et varmeapparat.

EGENSKAPER

- Det eksklusive TOUCH-N-GO gasstenningsystemet fjerner problemene ved opptenning av briketter (1). Bare trykk på knappen og hold den inne, så tennes systemets gassbrenner og starter opptenningen av brikettene for deg. Ingen farlige tennvæsker som skal brukes eller oppbevares, og ingen ettersmak av tennvæske.
- CHARBIN-oppbevaringsbeholderen rommer en sekk med briketter med en maksimumsvekt på 13,7 kg (2). Brikettsekken skal plasseres direkte i CHARBIN-oppbevaringsbeholderen.
- Arbeidsflaten i metall fungerer som et godt arbeidsområde og dekker CHARBIN-oppbevaringsbeholderen slik at brikettene holder seg tørre (3).
- Praktisk bunnrist for oppbevaring (4).
- Stor askeoppsamler låses på plass, slik at asken ikke blåser utover (5).
- ONE-TOUCH -rengjøringsystem gjør det enkelt å feie ut aske, eller åpner og lukker ventilene (6).
- Termometeret viser steketemperaturen inne i grillen (7).
- TUCK-AWAY -lokket glir tilbake i lokkholderen i rustfritt stål og fungerer som en vindbeskyttelse når brikettene tennes (8).
- GOURMET BBQ SYSTEM (GBS)-hengslet grillrist (9). Hengslede klaffer i grillristen kan åpnes for enkel tilsetning av briketter eller treflis under tilberedningen. Inkluderer en innsats for hverdagsbruk. Passer til hele serien med GOURMET BBQ SYSTEM-tilbehør.
- Med CHAR-BASKET-brikettkurver kan maten tilberedes indirekte eller direkte med grillkull eller briketter (10).
- Digital timer (11).



NO A - Ventiler lukket B - Lav og sakte C - Ventiler åpne D - Tøm aske

⚠ ADVARSEL: Ved bruk av flytende tennvæske må du alltid sjekke askeoppsamleren for antenning. Væske kan samle seg i askeoppsamleren og antennes, noe som kan resultere i brann under bunnen. Fjern eventuell væske fra askeoppsamleren før grillkullet tennes på.

TILKOBLING AV ENGANGS-GASSBEHOLDEREN

Benytt engangs-gassbeholder med en minimum kapasitet på 430 g og en maksimum kapasitet på 460 g. Beholderen må ha en EN417-ventil som vist på tegningen. En type beholder som kan brukes er Primus modell 2202 eller WEBER Q Gas engangs-gassbeholder.

⚠ FORSIKTIG: Bruk bare beholdere som er merket propan eller blanding av propan og butan.

Trykk engangs-gassbeholderen inn på regulatoren og dreii den med klokka til den er tett.

⚠ ADVARSEL: Trekk bare til for hånd. Hvis du bruker for mye kraft kan det skade regulatorkoblingen og forårsake lekkasje eller manglende gasstrøm.

SJEKK OM DET ER GASSLEKKASJER:

⚠ FARE

Bruk ikke åpen flamme for å sjekke om det er gasslekkasjer. Påse at det ikke finnes gnister eller åpne flammer i området mens du sjekker for lekkasjer. Gnister eller flammer vil resultere i brann eller eksplosjon, noe som kan medføre alvorlige personskader eller død, så vel som skade på eiendom.

Du vil trenge: engangs-gassbeholder, litt såpevann og en klut eller en pensel for å

påføre dette.

- Bland oppvaskmiddel og vann.
- Drei gassregulatoren til på ved å dreie den mot klokka.
- Sjekk for lekkasjer ved å fukte alle forbindelsene med såpevann og se etter om det bobler. Oppstår det bobler, eller hvis boblene vokser, er det en lekkasje.

SJEKK:

- Regulator-til-engangs-gassbeholder tilkobling.

⚠ ADVARSEL: Hvis det er gasslekkasje ved tilkoblingen (1), fjern engangs-gassbeholderen. Bruk ikke grillen. Bruk en annen engangs-gassbeholder og sjekk for lekkasjer på ny med såpevann. Steng AV gassen, hvis det forekommer lekkasje etter at engangs-gassbeholderen er ettertrukket. BRUK IKKE GRILLEN. Kontakt Kundeservice hos din lokale forhandler ved hjelp av kontaktinformasjonen på vår webside. Logg deg på www.weber.com.

SJEKK:

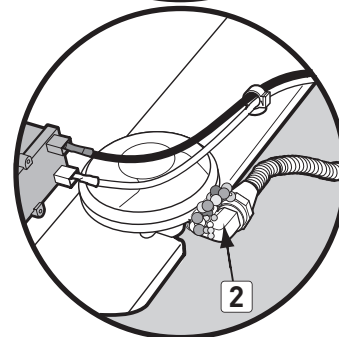
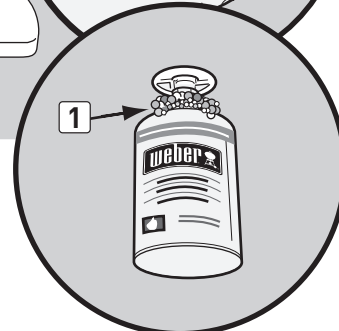
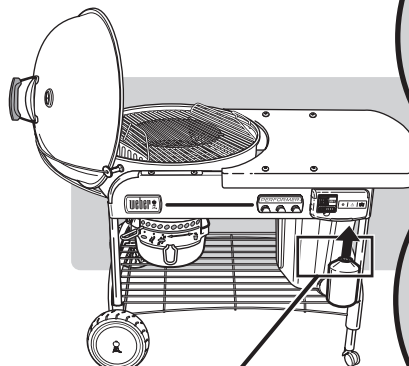
- Forbindelsene mellom ventilen og regulatoren.

⚠ ADVARSEL: Hvis det er lekkasje i forbindelsen (2), så skru AV gassen. BRUK IKKE GRILLEN. Kontakt Kundeservice hos din lokale forhandler ved hjelp av kontaktinformasjonen på vår webside. Logg deg på www.weber.com.

Når du har gjennomført sjekk for gasslekkasje, skal du skru gasstilførselen AV og skylle forbindelsene med vann.

⚠ FARE

Engangs-reservebeholdere med gass må ikke lagres under eller i nærheten av dette apparatet.



TENNING

⚠ FARE

Åpne lokket før tenning. Bruk ikke antennelige væsker slik som tennvæske, bensin, alkohol eller noen form for selvantennende briketter, inkludert ved manuell opptenning. Hvis du ikke gjør det vil det forårsake alvorlig brannskade eller død.

A) Ta av grilllokket før du bruker gassen.

⚠ **FARE:** Hvis du ikke gjør dette kan det føre til at det bygger seg opp gass som kan forårsake brann eller eksplosjon, som kan medføre alvorlig personskada eller død, eller skade på eiendom.

B) Åpne spjeldene i bunnen (1).

C) Plasser CHAR-BASKETS over brenneren (2).

D) Trykk inn hakene på dekslet til gassregulatoren (3) og løft for å åpne.

E) Skru på gasstilførselen (mot klokka) minst en hel omdreining (4).

⚠ **ADVARSEL:** Len deg ikke over den åpne grillen mens du tenner opp.

F) Trykk og hold inne tenningsknappen helt til brenneren tennes (5).

⚠ **ADVARSEL:** Flammene kan være vanskelige å se på en lys dag.

G) Etter at brikettene er tent (ca. 5 minutter), vri gasskontrollknappen AV (med klokken) helt til den er stengt.

⚠ **ADVARSEL:** Husk å lukke lokket helt.

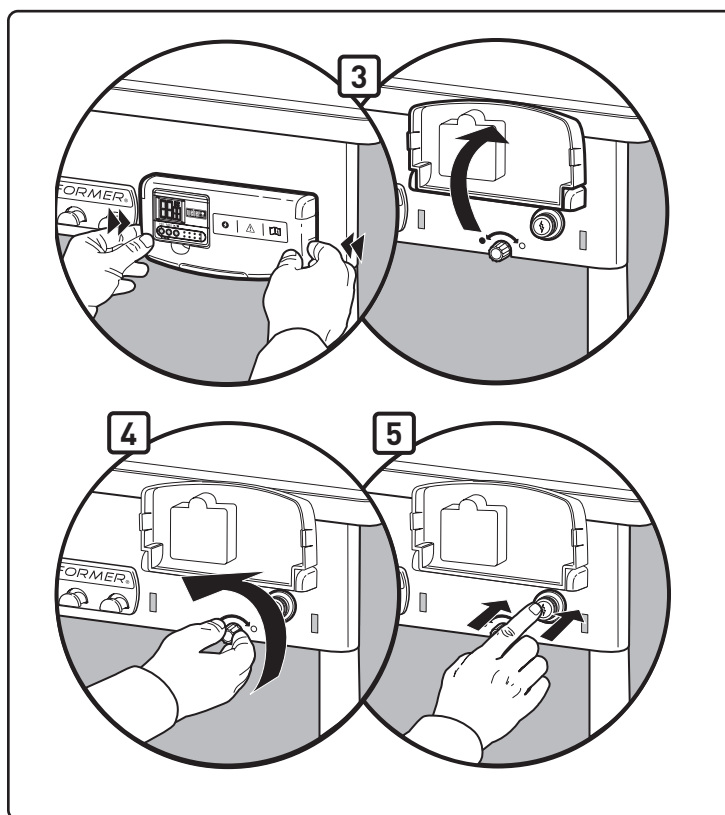
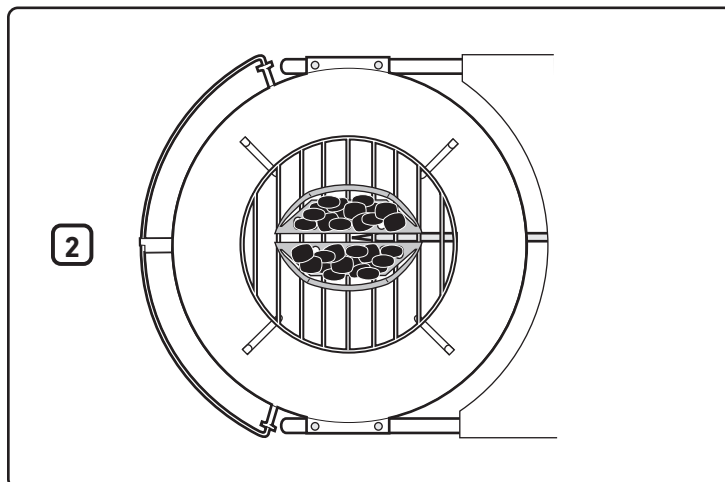
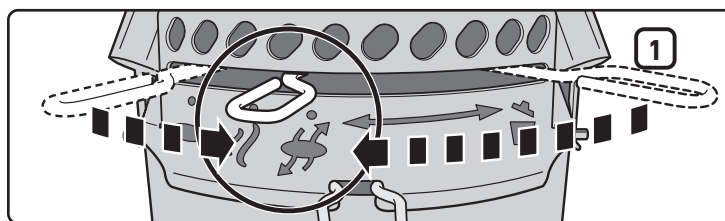
Merk - Bruk av beholderen over lengre tid reduserer levetiden på beholderen.

H) Du kan begynne steking når brikettene har fått et lyst grått askelag (omtrent 25-30 minutter).

SLUKKING AV GRILLEN

Vri gasskontrollknappen AV (med klokken) helt til den er stengt.

⚠ **Bruk varmebestandige grillvotter eller -hansker (som er i overensstemmelse med EN 407, vurderingsnivå 2 eller høyere for berøringsvarme) og tenger for å plassere CHAR-BASKETS over brennerne på nytt.**



MANUELL OPPTENNING

⚠ **ADVARSEL:** Ikke prøv å tenne manuelt uten å bruke fyrstikkholderen.

⚠ FARE

Åpne lokket før tenning. Bruk ikke antenkelige væsker slik som tennvæske, bensin, alkohol eller noen form for selvantennende briketter, inkludert ved manuell opptenning. Hvis du ikke gjør det vil det forårsake alvorlig brannskade eller død.

A) Ta av grilllokket før du bruker gassen.

⚠ **FARE:** Hvis du ikke gjør dette kan det føre til at det bygger seg opp gass som kan forårsake brann eller eksplosjon, som kan medføre alvorlig personskade eller død, eller skade på eiendom.

B) Åpne spjeldene i bunnen (1).

C) Flytt CHAR-BASKETS bort fra brenneren (2).

D) Trykk inn hakene på dekslet til gassregulatoren (3) og løft for å åpne.

E) Sett en fyrstikk i fyrstikkholderen. Tenn fyrstikken.

F) Skru på gasstilførselen (mot klokka) minst en hel omdreining (4).

G) Sett fyrstikkflammen i bakkant av brenneråpningen (5).

⚠ **ADVARSEL:** Hold ikke hånden direkte over brenneren ved manuell tenning.

⚠ **ADVARSEL:** Len deg ikke over den åpne grillen mens du tenner opp.

⚠ **ADVARSEL:** Flammene kan være vanskelige å se på en lys dag.

H) Bruk grillvotter og bruk tang for å stille inn Char-Baskets over brenneren.

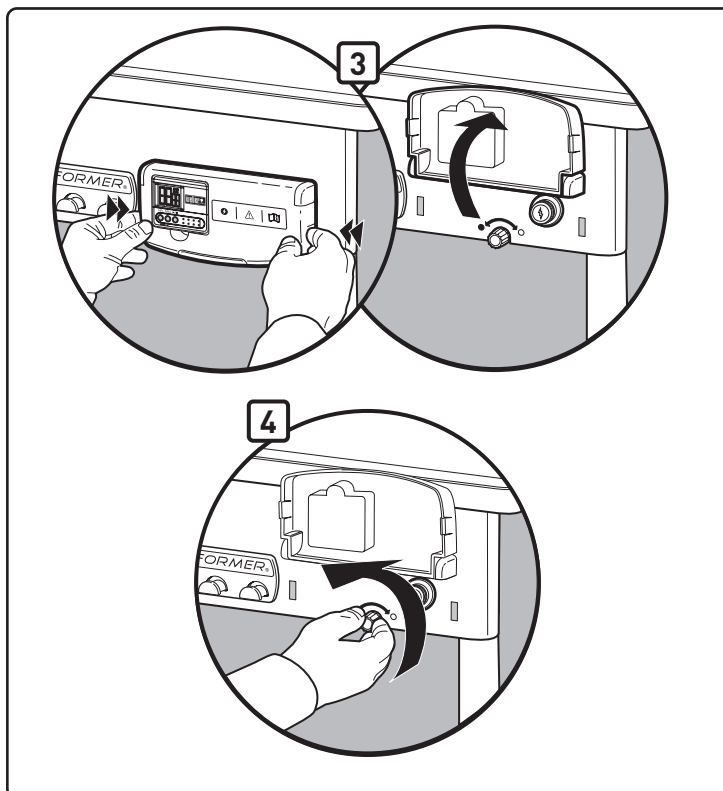
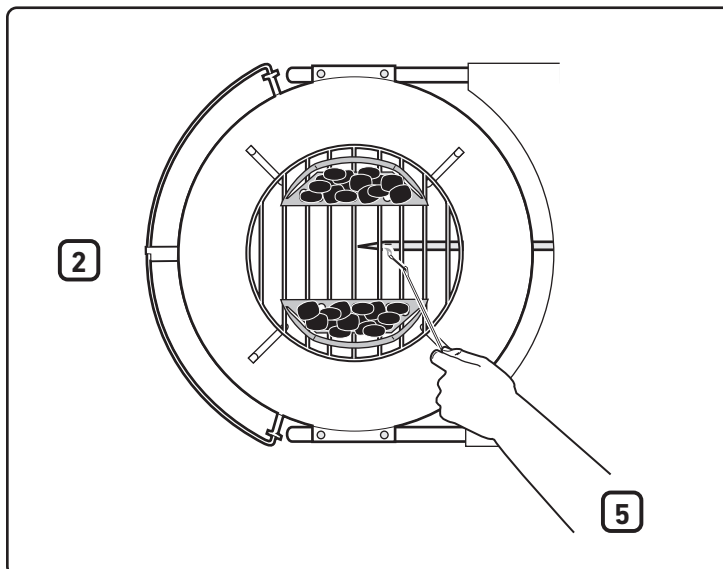
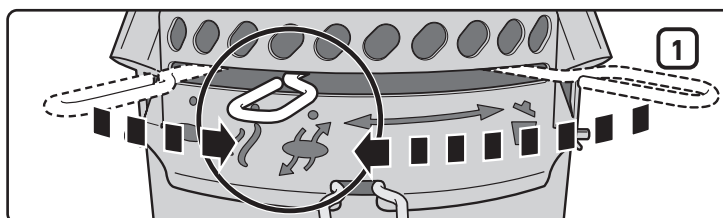
I) Etter at brikettene er tent, (ca. 5 minutter), skru du AV gassregulatoren (med klokka) inntil den er stengt.

J) Du kan begynne steking når brikettene har fått et lyst grått askelag (omtrent 25-30 minutter).

SLUKKING AV GRILLEN

Vri gasskontrollknappen AV (med klokken) helt til den er stengt.

⚠ **Bruk varmebestandige grillvotter eller -hansker (som er i overensstemmelse med EN 407, vurderingsnivå 2 eller høyere for berøringsvarme) og tenger for å plassere CHAR-BASKETS over brennerne på nytt.**



BRUK AV TIMER

Denne vannbestandige, digitale timeren gir deg både opp- og nedtelling i timer, minutter og sekunder.

Slik stiller du inn timeren for nedtelling:

- Trykk på **Start/Stop-** ► / ■ -knappen for å slå på bakgrunnsbelysningen.
- Trykk på **HR-** knappen (1) for å stille inn antall timer. Hold knappen inne for å gå raskere gjennom tallene (maksimal innstilling: 99 timer) (4).
- Trykk på **MIN-** knappen (2) for å stille inn antall minutter. Hold knappen inne for å gå raskere gjennom tallene (maksimal innstilling: 59 minutter) (5).
- Når tiden er stilt inn, trykker du på **Start/Stop-** ► / ■ knappen (3) for å starte nedtellingen.
- Når tiden er utløpt, vil alarmen høres i 30 sekunder. Deretter starter nedtellingen automatisk på nytt fra den forrige tidsinnstillingen.

VIKTIG

Når det er over en time igjen på timeren, vil H og M (timer og minutter) blinke av og på, og tallene telles ned for hvert minutt. Når det er mindre enn én time igjen på timeren, endres H og M til M og S (minutter og sekunder), og tallene begynner å telle ned for hvert sekund.

Slik nullstiller du tiden:

- Trykk på **Start/Stop-** ► / ■ -knappen for å slå på bakgrunnsbelysningen.
- Trykk på **HR-** og **MIN-** ⌚ knappene samtidig (1)(2).

Slik stiller du inn timeren for opptelling:

- Trykk på **Start/Stop-** ► / ■ -knappen for å slå på bakgrunnsbelysningen.
- Trykk på **Start/Stop-** ► / ■ knappen igjen for å starte opptellingen. Under opptellingen vil displayet vise tiden i timer/minutter og minutter/sekunder.
- Trykk på **Start/Stop-** ► / ■ knappen to ganger for å stoppe timeren. Opptellingen vil stoppe etter 99 timer (4), 59 minutter (5).

Automatisk utkobling:

- For å forlenge batterilevetiden, slår bakgrunnsbelysningen seg av etter 10 sekunder. Timeren slår seg helt av etter 10 minutters inaktivitet.

NB! Hvis timeren brukes i et miljø hvor den utsettes for statisk elektrisitet kan tidsinnstillingen gå tapt. Hvis dette skjer må timeren nullstilles.

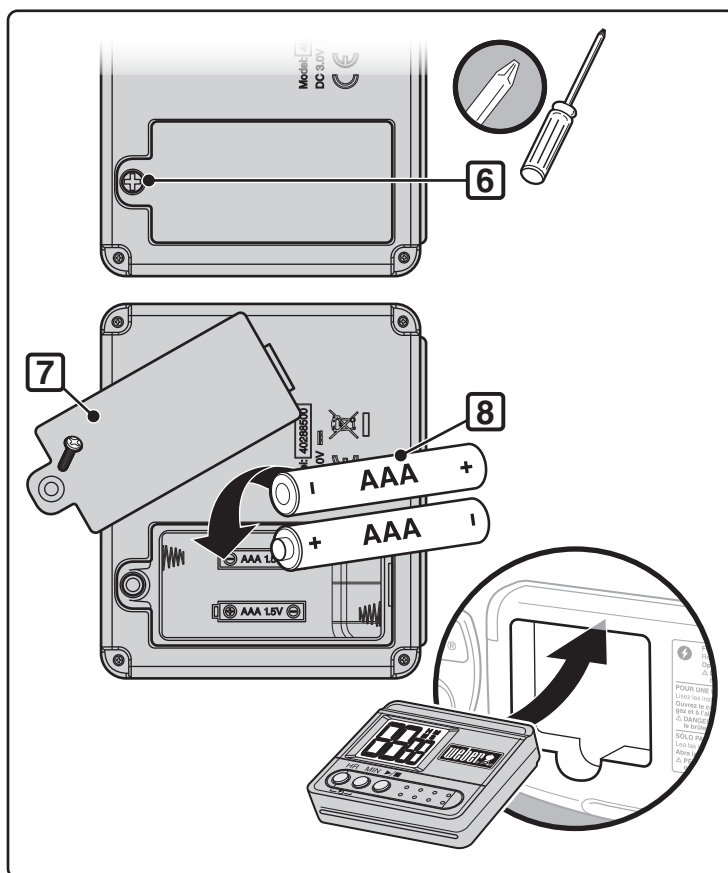
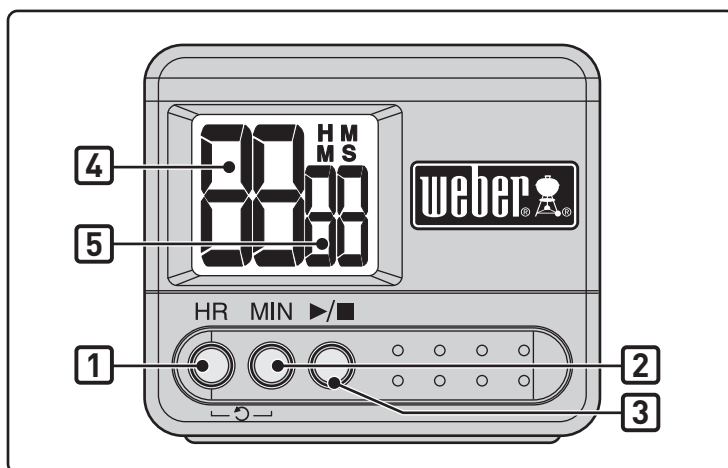
Innsetting av batteri:

- Bruk en stjerneskrutrekker til å låse opp batterirommet på baksiden av timeren (6) ved å skru skruen med klokken.
- Fjern batteridekselet på baksiden av timeren (7).
- Legg til eller bytt ut AAA-batteriene (8).
- Sett på batteridekselet igjen.
- Lås batteridekselet ved å skru skruen mot klokken med stjerneskrutrekkeren.
- Etter at batteriene er satt inn, vises (0000) på LCD-skjermen.

Vedlikehold:

- Timer må ikke rengjøres med et slipende eller etsende materiale. Dette kan skrape opp timeren eller føre til at de elektroniske kretsene begynner å ruste.
- Ikke utsett timeren for overdreven belastning, støt, støv, høye temperaturer eller fuktighet. Dette kan føre til funksjonsfeil, kortere elektronisk levetid, batteriskader eller forvrengte deler.
- Du må ikke tukle med de interne komponentene i timeren. Dette vil gjøre timerens garanti ugyldig, og kan føre til unødvendig skade på batteriet og interne deler.
- Timeren må ikke utsettes for direkte sollys eller kraftig regn over lengre tid.
- Timeren må ikke senkes ned i vann.

For at timeren skal fungere optimalt, bør den oppbevares innendørs når den ikke er i bruk.



PROBLEM	SJEKK	UTBEDRE
Brennerne brenner med en gul eller oransje flamme, i tillegg til gasslukket.	Kontroller brenner for mulige blokkeringer.	Rengjør brenneren. (Se avsnittet "Vedlikehold")
Brenneren tenner ikke, eller flammen er lav.	Er LP-gassbeholdningen lav eller tom?	Skift LP-beholderen.
	Er drivstoffslangen bøyd eller har knekk?	Rett inn slangen.
	Kan brenneren tennes med en fyrstikk?	Hvis brenneren lar seg tenne med en fyrstikk, så sjekk tenningssystemet.
	Sitter slangen til forbindelsen til brennerrøret ordentlig?	Koble til gasslangan til brennerrøret ved å bruke festeklipset i metall som følger med. ⚠ FARE: Bruk ikke gassteningen hvis festeklipset mangler. Hvis festeklipset mangler kan det medføre alvorlig personskade eller død, og skade på eiendom. Kontakt Kundeservice hvis du skal skifte festeklipset.
Brennerflammen har feil mønster.	Er brenneren rengjort?	Rengjør brenneren. (Se avsnittet "Vedlikehold")
Brenneren tenner ikke når du trykker inn tenningsknappen.	Kontroller at det er gasstilførsel til brennerne ved å forsøke å tenne dem med fyrstikker. Se "MANUELL TENNING."	Hvis du får tent med fyrstikk, ligger problemet et sted i tenningsystemet. Se: "BETJENING AV ELEKTRONISK TENNINGSSYSTEM."
	Er det satt inn et nytt batteri?	Forsikre at batteriet er i god stand og montert riktig. Se "KONTROLL AV ELEKTRONISK TENNER."
	Er ledningene koblet riktig til tenningsmodulen?	Pass på at ledningene er satt riktig på klemmene på tenningsboksen. Se: "BETJENING AV ELEKTRONISK TENNINGSSYSTEM."
	Er det plast rundt det nye batteriet?	Fjern plasten.
Tidsuret fungerer ikke.	Er det satt inn nye batterier?	Kontroller at batteriene er i god stand og satt inn riktig. Se "BRUK AV TIMER".
Innsiden av lokket "flasser". (Ligner på avflasset maling.)	Det du ser er fastbrent fett, som er blitt forkullet og flasser av. DETTE ER INGEN DEFEKT.	Rengjør grundig. (Se avsnittet: "Rengjøring")
Hvis dine problemer ikke kan løses ved bruk av disse metodene, vennligst kontakt Kundeservice hos din lokale forhandler, ved å bruke kontaklinformasjonen på vår webside. Logg deg på www.weber.com .		

VEDLIKEHOLD

Etter at grillen ikke har vært brukt i periode, anbefaler vi at du utfører følgende vedlikeholdsprosedyre av hensyn til din egen sikkerhet.

- Sjekk slangen om den har knekk, brudd, skrammer eller kutt, før hver gang du bruker grillen. Hvis slangen er skadet på noen måte, må du ikke bruke grillen. Bruk bare WEBER-godkjente deler ved utskifting. **Kontakt Kundeservice hos din lokale forhandler ved hjelp av kontakinformasjonen på vår webside. Logg deg på www.weber.com.**

⚠ ADVARSEL: Hvis gasslangen til grillen er skadet på noen måte eller lekker, må du ikke bruke grillen.

- Sjekk om brenneren har riktig flammemønster. (se avsnittet "Flammemønster på brenner"). Rengjør hvis nødvendig, ifølge prosedyrene som er beskrevet i dette avsnittet.
- Sjekk alle gasstilkoblingene for lekkasjer. (Se avsnittet "Sjekk om det er gasslekkasjer").

PERIODISK RENGJØRING

For å fjerne aske fra bunnen skyver du reguleringsstangen (1) fra side til side slik at demperbladene feier aske gjennom bunnventilene og inn i askeoppsamleren.

⚠ ADVARSEL: Pass på at brenneren er AV og grillen er kald før rengjøring.

Ikke utvid brenneråpningene under rengjøring.

Rengjøring av brenner:

- Børst utsiden av brennerrøret (2) og brenneråpningen (3) med en metallbørste.

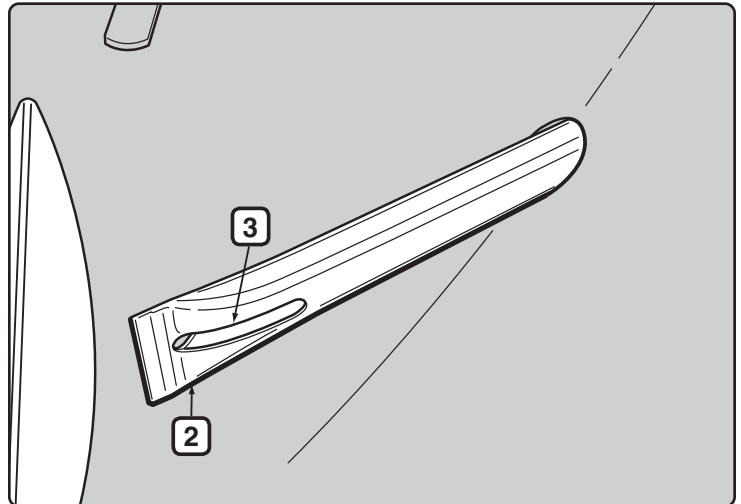
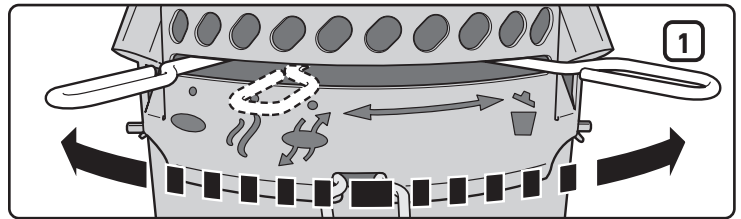
⚠ ADVARSEL: Ikke utvid brenneråpningene eller gassåpningen under rengjøring.

Rengjøring av grillen:

- Tørk innsiden av lokket med tørkepapir når lokket er varmt, for å hindre at det samler seg fett her.
- Bruk varmt såpevann til rengjøring av utvendige flater, skyll godt med rent vann.

For mer grundig rengjøring (må gjøres minst en gang i året):

- A) Ta ut aske når brikettene er helt slukket.
- B) Ta ut ristene og CHAR-BASKETS.
- C) Tørk av med papirhåndkle. Vask med mild såpe og vann. Skyll godt med rent vann og tørk.



LAGRING

- Når Performer-grillen lagres innendørs må gasstilførselen kobles fra og LP-beholderen lagres utendørs på et sted med god ventilasjon.
- LP-beholderen må lagres utendørs på et godt ventilert sted og holdes borte fra kontakt med barn, og må ikke lagres i en bygning, garasje eller annet innelukket område.
- Etter en lagringsperiode og/eller hvis grillen ikke har vært i bruk, skal du kontrollere om det er gasslekkasje og om brennerrøret er blokkert før du bruker den (se avsnitt "Vedlikehold").
- Sjekk at området rundt beholderen, slangen og brennerenheten er fri for rester som kan hindre gasstrøm eller luft, før bruk.

VÆR OPPMERKSOM PÅ INSEKTER

Performer-grillen og eventuelle andre gassapparater som brukes utendørs, er et yndet sted for edderkopper og andre insekter. Disse kan slå seg til i venturidelen (1) i brennerrøret og forårsake at gassen strømmer tilbake ut av luftspjeldet.

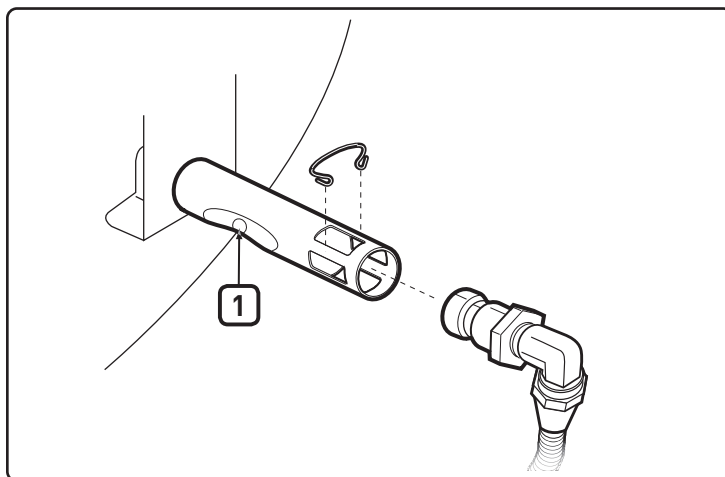
Dette kan forårsake en brann i og rundt brennerrøret under bunnpanelet. Dette kan føre til alvorlig skade på grillen, som gjør at det er farlig å bruke den.

Vi anbefaler på det sterkeste at du kontrollerer og rengjør brennerrøret minst en gang i året, eller hvis følgende symptomer oppstår:

- A) Lukten av gass i tillegg til brennerflammene er gule og brenner langsomt.
- B) Det høres en smellende lyd fra brenneren.

⚠ FARE

Dersom disse symptomene ikke rettes på, kan det resultere i en brann som kan medføre alvorlig personskade eller død, og skade på eiendom.

**KONTROLL OG RENGJØRING AV BRENNEREN**

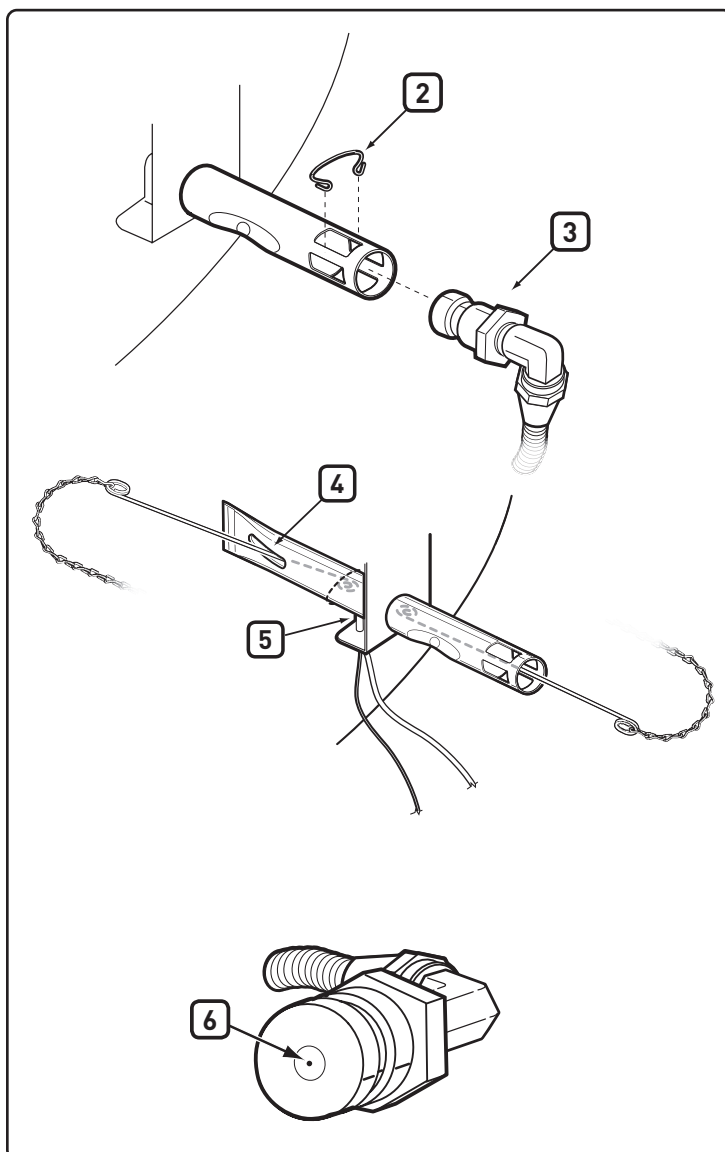
- A) Slå AV gassen.
- B) Ta av CHARBIN-oppbevaringsbeholder.
- C) Ta åpningsklipset (2) og slangetilkoblingen (3) av brennerrøret.
- D) Se inni brenneren med en lommelykt.
- E) Rengjør innsiden av brenneren med tråddelen til fyrstikkholderen (montert bak Weber-logoplaten).

Bruk ledningen til å rengjøre området ved luftspjeldåpningen, venturidelen, og brenneråpningene (4) på innsiden av bunnen. Vær forsiktig når du setter inn rengjøringsverktøyet i brenneren så du ikke skader tenner Elektroden (5).

- F) Kontroller med lommelykt igjen for å se at det ikke er noen hindringer.
- G) Hvis det er nødvendig kan overflaten på slangekoblingen rengjøres med en metallbørste. Åpningen (6) kan rengjøres med en liten nål.

⚠ ADVARSEL: Ikke utvid åpningen under rengjøring.

- H) Monter ved å ta trinnene B og C i motsatt rekkefølge.

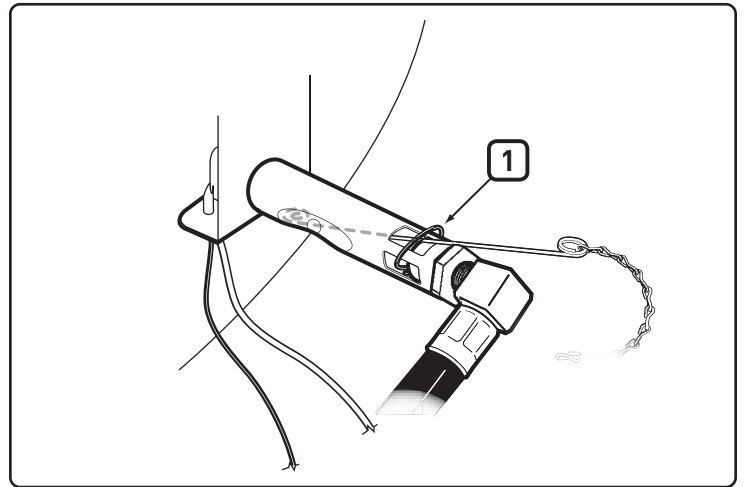


PERIODISK HURTIGRENGJØRING

Vi anbefaler at du børster utsiden av brenneråpningene med en metallbørste med jevne mellomrom, og rengjør brennerrøret gjennom luftspjeldet med fyrstikkholderen som følger med.

Dette kan gjøres ved å finne luftspjeldet på brenneren (1) under bunnbraketten og sette inn verktøyet gjennom hvert luftspjeld, og dreie verktøyet. Vær forsiktig når du setter inn fyrstikkholderen i brenneren så du ikke skader tenningsselektroden.

⚠ ADVARSEL: Det er viktig å øke frekvensen på denne rengjøringsprosedyren i løpet av vår og sommermånedene.



INSPEKSJON AV ELEKTRONISK TENNING

Hvis det elektroniske tenningsystemet ikke tenner, må du se etter at det er gasstilførsel ved å forsøke å tenne brenneren med en fyrstikk. Se: "MANUELL OPPTENNING". Hvis du får tent med fyrstikk, ligger problemet et sted i det elektroniske tenningsystemet.

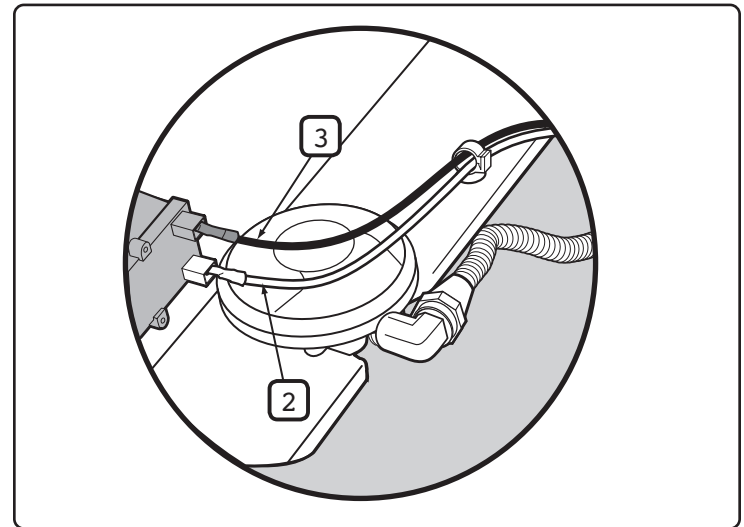
⚠ ADVARSEL: Gasskontroll og tilførselsventil skal være i AV-stillingen.

- Sjekk at AAA-batteriet (bare alkalisk) er i god stand og at det er montert riktig (1). Noen batterier har plastbeskyttelse. Denne platen må fjernes. Du må ikke forveksle denne platen med batterietiketten.
- Sjekk at både den hvite (2) og den svarte (3) tenningsledningen er festet ordentlig.
- Kontroller at den elektroniske tenningsknappen fungerer ved å lytte og se etter gnister ved brenneren.
- Sjekk for å se om tenneren har løsnet fra rammen. Trekk til om nødvendig. Se trinn: "Installer" for riktig prosedyre.

Skift Batteriet Om Nødvendig

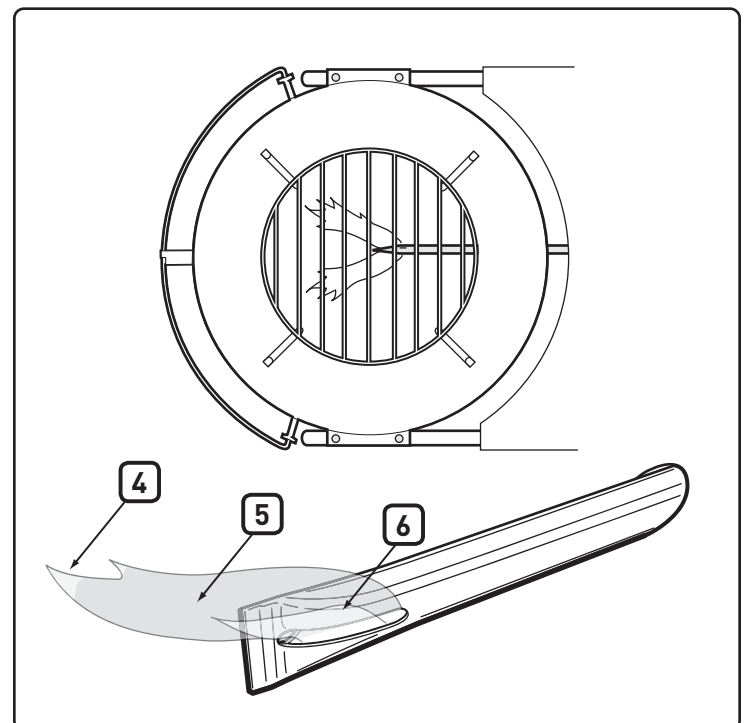
Bare AAA alkalisk batterier.

Hvis det elektroniske tenneret fortsatt ikke fungerer, kontakt Kundeservice hos din lokale forhandler ved hjelp av kontaklinformasjonen på vår webside. Logg deg på www.weber.com.



FLAMMEMØNSTER PÅ BRENNER

Brenneren er innstilt av fabrikk for riktig luft- og gassblanding. Det korrekte flammemønsteret skal ha gulaktige topper (4) mørk blå i midten (5), og lys blå ved brennerrøret (6). Hvis flammene ikke opptrer som vist, eller hvis det oppstår en "smellende" lyd, må du følge rengjøringsprosedyren for brenneren.



⚠ VÆR OPPMERKSOM PÅ: Dette produktet er blitt sikkerhetstestet og er bare sertifisert for bruk i et spesielt land. Se på landsmerkingen som sitter utenpå kartongen.

Disse delene kan være gassførende eller gassbrennende komponenter. Vennligst kontakt Weber-Stephen Products LLC Kundeserviceavdelingen for informasjon om originale Weber-Stephen Products LLC reservedeler.

⚠ ADVARSEL: Gjør ikke forsøk på å reparere noen gassførende eller gassbrennende komponenter uten å kontakte Weber-Stephen Products LLC kundeserviceavdeling. Hvis du ikke etterfølger denne produktadvarselen, kan det forårsake en brann eller en eksplosjon som resulterer i alvorlig personskade eller død og skade på eiendom.



WEBER-STEPHEN PRODUCTS LLC
www.weber.com

PERFORMER DELUXE

Brugervejledning for kulgrill

Læs brugsanvisningen inden brug af grillen.

Samling -  p. 6

**DENNE BRUGERVEJLEDNING SKAL LÆSES
OMHYGGELIGT, FØR DU ANVENDER DIN
GASGRILL**

⚠ FARE

Ved gaslugt:

1. Luk for gassen til udstyret.
2. Sluk åbne flammer.
3. Åbn låget.
4. Hvis lugten vedvarer, så hold afstand til apparatet, og ring straks til gasleverandøren eller brandvæsenet. Lækkende gas kan forårsage brand eller eksplosion, som kan medføre alvorlig kvæstelser eller død, eller materiel skade.

⚠ ADVARSEL: Følg omhyggeligt denne vejlednings procedurer for at kontrollere, om der er lækager, inden grillen betjenes. Gør det, også selv om det er forhandleren, der har samlet grillen.

⚠ ADVARSEL:

1. Der må ikke opbevares eller anvendes benzin eller andre brandfarlige dampe og væsker i nærheden af dette eller noget andet apparat.
2. En gasflaske, der ikke er tilsluttet til brug, må ikke opbevares i nærheden af dette eller noget andet apparat.

⚠ ADVARSEL: Prøv ikke på at tænde Weber gas systemet uden først at have læst instrukserne under "Optænding" i denne vejledning.

OPLYSNINGER TIL INSTALLATØREN:

Ejeren skal beholde denne vejledning, som skal gemmes til fremtidig brug.

KUN TIL UDENDØRS BRUG.

MANGLENDE OVERHOLDELSE AF FARE-, ADVARSEL- OG FORSIGTIGHEDSERKLÆRINGERNE KAN MEDFØRE ALVORLIG PERSONSKADE ELLER DØD.

- △ SIKKERHEDSSYMBOLER (△) vil gøre dig opmærksom på vigtige SIKKERHEDSINFORMATIONER.
- △ Signalordene FARE, ADVARSEL eller FORSIGTIG anvendes med SIKKERHEDSSYMBOLLET.
- △ FARE vil angive den mest alvorlige fare.
- △ Læs alle sikkerhedsinformationerne i brugsanvisningen, inden du betjener grillen.

△ FARER

- △ Grillen må ikke bruges under overhængende brændbare strukturer.
- △ Forkert samling kan være farligt. Følg instruktionerne for samling i denne brugsanvisning. Grillen må ikke bruges, medmindre alle dele er på plads. Sørg for, at askeopsamlern enten er sikkert fastgjort på benene under grillen, eller at den rummelige askesamler er på plads, inden grillen tændes.
- △ Brændbare materialer må aldrig være inden for cirka 60 cm af grillens top, bund, bagside eller sider.
- △ Læn dig aldrig over grillen under antænding af gasbrænderen.
- △ Grillen må ikke bruges i stærk vind.
- △ Grillen må ikke betjenes, hvis den lækker gas.
- △ Brug ikke åben ild til at kontrollere, om der er gaslækager.
- △ Hvis brænderen på noget tidspunkt under betjening går ud, skal tankventilen lukkes. Tag låget af og vent fem minutter inden der gøres et nyt forsøg på at tænde brænderen ifølge antændingsinstruktionerne i brugsanvisningen.
- △ Forsøg ikke at frakoble gasregulatoren fra tanken eller en tanksamling, mens grillen er i brug.
- △ Brug kun den LP-gasregulator, som fulgte med grillen.

△ ADVARSLER

- △ Følg instruktionerne til forbindelse af regulatoren for denne type gasgrill.
- △ Opbevar ikke en ekstra eller frakoblet LP-engangspatron under eller i nærheden af grillen.
- △ Sørg altid for, at grillen står på en sikker og lige overflade uden brændbare materialer.
- △ Undlad at lægge betrækket til grillen eller andre brændbare materialer oven på grillen eller i opbevaringsrummet under grillen.
- △ Tag altid låget af grillen inden gasbrænderen tændes enten manuelt eller med tændsatsen. Låget må ikke lukkes, før grillkullene er helt antændte.
- △ Brug rigtige grillredskaber med lange, varmebestandige håndtag.
- △ Nogle modeller vil muligvis være udstyret med TUCK-AWAY lågholderen. TUCK-AWAY lågholderen anvendes til at holde låget, når du tjekker eller vender maden. Brug ikke TUCK-AWAY lågholderen som et håndtag til at løfte eller flytte grillen. Læg ikke et varmt låg på gulvtæppet eller i græsset. Hæng ikke låget på grillens håndtag.
- △ Vær forsigtig ved håndtering og opbevaring af varme elektriske startere.
- △ Hold ledningstråde og el-kabler væk fra grillens varme overflader og væk fra områder med meget færdsel.
- △ Efter en opbevaringsperiode og/eller en periode uden brug, skal grillen kontrolleres for gaslækager og tilstopning af brænderen. Se instruktionerne heri for de korrekte procedurer.
- △ Konvertering eller forsøg på at anvende naturgas i grillen er farligt og vil annullere din garanti.
- △ En bulet eller rusten LP-gaspatron til engangsbrug kan være farlig og skal kontrolleres af leverandøren af den flydende propangas. Brug ikke en LP-patron til engangsbrug med en beskadiget ventil.
- △ Selvom din LP-patron til engangsbrug ser tom ud, kan den stadig indeholde gas. LP-patronen til engangsbrug skal opbevares og transporteres i overensstemmelse hermed.
- △ Anvend varmeafvisende grillhandsker (i henhold til DS/EN 407, Kontaktvarme, niveau 2 eller højere) ved tilberedning af mad, justering af udluftningsåbninger (spjæld), påfyldning af kul og håndtering af termometer eller låg.id.
- △ Hvis du ser, lugter eller hører gasudslip fra LP-patronen til engangsbrug, skal du:
 1. Komme væk fra LP-patronen.
 2. Ikke selv forsøge at løse problemet.
 3. Ringe til brandvæsenet.

△ FORHOLDSREGLER

- △ Ved at dække indersiden af grillen med aluminiumsfolie begrænses luftstrømningen. Brug i stedet en bakke til at opsamle stegedefedt fra kød, når det tilberedes ifølge den indirekte metode.
- △ Brug af skarpe genstande til at rengøre grillristen eller fjerne aske vil beskadige belægningen.
- △ Brug af slibemidler på grillristene eller på selve grillen skader belægningen.
- △ Grillen skal regelmæssigt gøres grundigt ren.

Tak, fordi du har valgt at købe et produkt fra WEBER. 1415 S. Roselle Road, Palatine, Illinois 60067 USA ("WEBER") sætter en ære i at levere et sikkert, holdbart og pålideligt produkt. Dette er WEBERs frivillige garanti, som vi tilbyder uden ekstra omkostninger. Den indeholder de oplysninger, som du skal bruge for at få dit WEBER-produkt repareret, hvis det mod forventning skulle gå i stykker eller blive defekt.

Kunden har i henhold til gældende lovgivning flere rettigheder, hvis produktet skulle vise sig at være defekt. Disse rettigheder omfatter tillægsydelse eller udskiftning, et nedslag i købsprisen samt kompensation. I EU vil køberen for eksempel være dækket af to års lovfæstet garanti fra og med den dag, hvor produktet modtages. Disse og andre lovfæstede rettigheder bliver ikke påvirket af denne garanti. Faktum er, at denne garanti giver ejeren yderligere rettigheder, som er uafhængige af de lovfæstede garantibestemmelser.

WEBERs FRIVILLIGE GARANTI

WEBER garanterer over for den person, der har købt WEBER-produktet (eller i tilfælde af, at produktet gives som gave eller PR-materiale, den person, der har købt produktet som gave eller PR-materiale), at WEBER-produktet ikke er behæftet med materielle eller håndværksmæssige fejl i den eller de perioder, der er specificeret herunder, såfremt produktet samles og betjenes i overensstemmelse med den medfølgende brugervejledning. (Bemærk: Hvis du mister din WEBER-brugermanual, kan du få en ny online på www.weber.com eller det lokale website, som du bliver dirigeret videre til.) Ved normal, privat brug og vedligeholdelse i et familiehuse eller -lejlighed indvilger WEBER, inden for bestemmelserne i denne garanti, i at reparere eller udskifte defekte dele inden for de gældende tidsperioder, begrænsninger og undtagelser, der er angivet herunder. FOR SÅ VIDT DET ER TILLADELIGT I HENHOLD TIL GÆLDENDE LOVGIVNING, YDES DENNE GARANTI KUN TIL DEN OPRINDELIGE KØBER OG KAN IKKE OVERFØRES TIL EFTERFØLGENDE EJERE, MEDMINDRE DER ER TALE OM GAVER OG PR-MATERIALE SOM ANGIVET HEROVER.

EJERENS ANSVAR I HENHOLD TIL DENNE GARANTI

For at sikre problemfri dækning er det vigtigt (men ikke påkrævet), at du registrerer dit WEBER-produkt online på www.weber.com eller på det lokale website, som du bliver dirigeret videre til. Gem også din originale købskvittering og/eller faktura. Når du registrerer dit WEBER-produkt, bliver din garantidækning bekræftet, og der oprettes en direkte forbindelse mellem dig og WEBER, som vi kan benytte, hvis vi får brug for at kontakte dig.

Ovenstående garanti gælder kun, såfremt ejeren inden for rimelighedens grænser passer på sit WEBER-produkt ved at følge alle samlevejledninger, betjeningsvejledninger og anvisninger til forebyggende vedligeholdelse, som er beskrevet i den medfølgende brugervejledning, medmindre ejeren kan bevise, at defekten eller fejlen ikke skyldes manglende efterlevelse af ovennævnte forpligtelser. Hvis du bor tæt på kysten eller har dit produkt stående i nærheden af en swimmingpool, omfatter vedligeholdelsen også, at de udvendige overflader vaskes og skylles regelmæssigt som beskrevet i den medfølgende brugervejledning.

HÅNDTERING AF GARANTIÆRINDER/BORTFALD AF GARANTI

Hvis du har en komponent, som du mener er dækket af denne garanti, bedes du kontakte WEBERs kundeservice via kontaktoplysningerne på vores website (www.weber.com eller det lokale website, som du bliver dirigeret videre til). WEBER vil efter en inspektion reparere eller udskifte (efter eget valg) en defekt komponent, som er dækket af denne garanti. Hvis det ikke er muligt at reparere eller udskifte komponenten, kan WEBER vælge at erstatte den pågældende grill med en ny grill af samme eller højere værdi. WEBER kan bede dig om at returnere komponenter, som skal inspiceres, og forsendelsesomkostningerne skal betales forud.

Denne GARANTI bortfalder, hvis der forekommer skader, forringelser, misfarvning og/eller rust, som WEBER ikke er ansvarlig for, og som er forårsaget af:

- misbrug, mishandling, ændringer, ombygning, fejlagtig brug, hærværk, forsømmelse, forkert samling eller installation samt undladelse af at udføre normal og rutinemæssig vedligeholdelse;
- insekter (fx edderkopper) og gnavnere (fx egern), herunder, men ikke begrænset til, skader på brænderrør og/eller gasslangler;
- eksponering for saltholdig luft og/eller klorinkilder som swimmingpools og boblebad/spabade;
- voldsomme vejrforhold som haglbyger, orkaner, jordskælv, tsunamier eller oversvømmelser, tornadoer eller voldsomme uvejr.

Ved brug og/eller installation af komponenter på dit WEBER-produkt, som ikke er originale WEBER-komponenter, vil denne garanti bortfalde, og skader, der måtte opstå som et resultat af dette, dækkes ikke af denne garanti. Enhver konstruktionsændring på en gasgrill, som ikke er godkendt af WEBER og udført af en autoriseret WEBER-servicetekniker, vil medføre, at denne garanti bortfalder.

UDSKIFTNING AF SLANGE, REGULATOR OG VENTIL

⚠ VIGTIGT OPLYSNING: Vi anbefaler, at du udskifter gasslangen på din Weber gasgrill hvert 5. år. I nogle lande er der krav om, at gasslangen skal udskiftes hyppigere end hvert 5. år, i disse tilfælde skal du naturligvis følge landets bestemmelser.

For udskiftning af slange, regulator og ventil bedes du kontakte kundeservicerepræsentanten i dit område ved at bruge kontaktoplysningerne på vores websted. Gå ind på www.weber.com.

PRODUKTGARANTIENS VARIGHED

Kugle, låg og midterring:
10 år, ingen gennemtæring/gennembrænding

ONE-TOUCH rengøringsystem:
5 år, ingen gennemtæring/gennembrænding

Plastikdele:
5 år, gælder ikke falmen eller misfarvning

Alle resterende dele:
2 år

ANSVARSRASKRIVELSE

UD OVER DEN GARANTI OG DE ANSVARSFRASKRIVELSER, DER ER BESKREVET I DENNE GARANTI, ER DER INGEN GARANTI ELLER BEKENDTGØRELSER OM FRIVILLIGT ANSVAR I DENNE GARANTI, DER RÆKKER UD OVER DET LOVFÆSTEDE ANSVAR, SOM WEBER ER OMFATTET AF. DERUDOVER VIL DENNE GARANTI IKKE BEGRÆNSE ELLER FRITAGE WEBER FRA SITUATIONER ELLER ERSTATNINGSKRAV, HVOR WEBER ER OMFATTET AF ET LOVFÆSTET ANSVAR.

DER ER INGEN GARANTI EFTER DE GÆLDENDE PERIODER, SOM ER ANGIVET I DENNE GARANTI. INGEN ANDRE GARANTIER, SOM STILLES AF EN ANDEN PERSON, HERUNDER EN FORHANDLER ELLER BUTIK, FOR ET HVILKET SOM HELST PRODUKT (SÅSOM "UDVIDET GARANTI") KAN GØRES BINDEDE FOR WEBER. DENNE GARANTI GÆLDER UDELUKKENDE AFHJÆLPNING I FORM AF REPARATION ELLER UDSKIFTNING AF KOMPONENTEN ELLER PRODUKTET.

EN ERSTATNING UDLØST AF DENNE FRIVILLIGE GARANTI KAN UNDER INGEN OMSTÆNDIGHEDER BLIVE STØRRE END INDKØBSPRISEN FOR DET SOLGTE WEBER-PRODUKT.

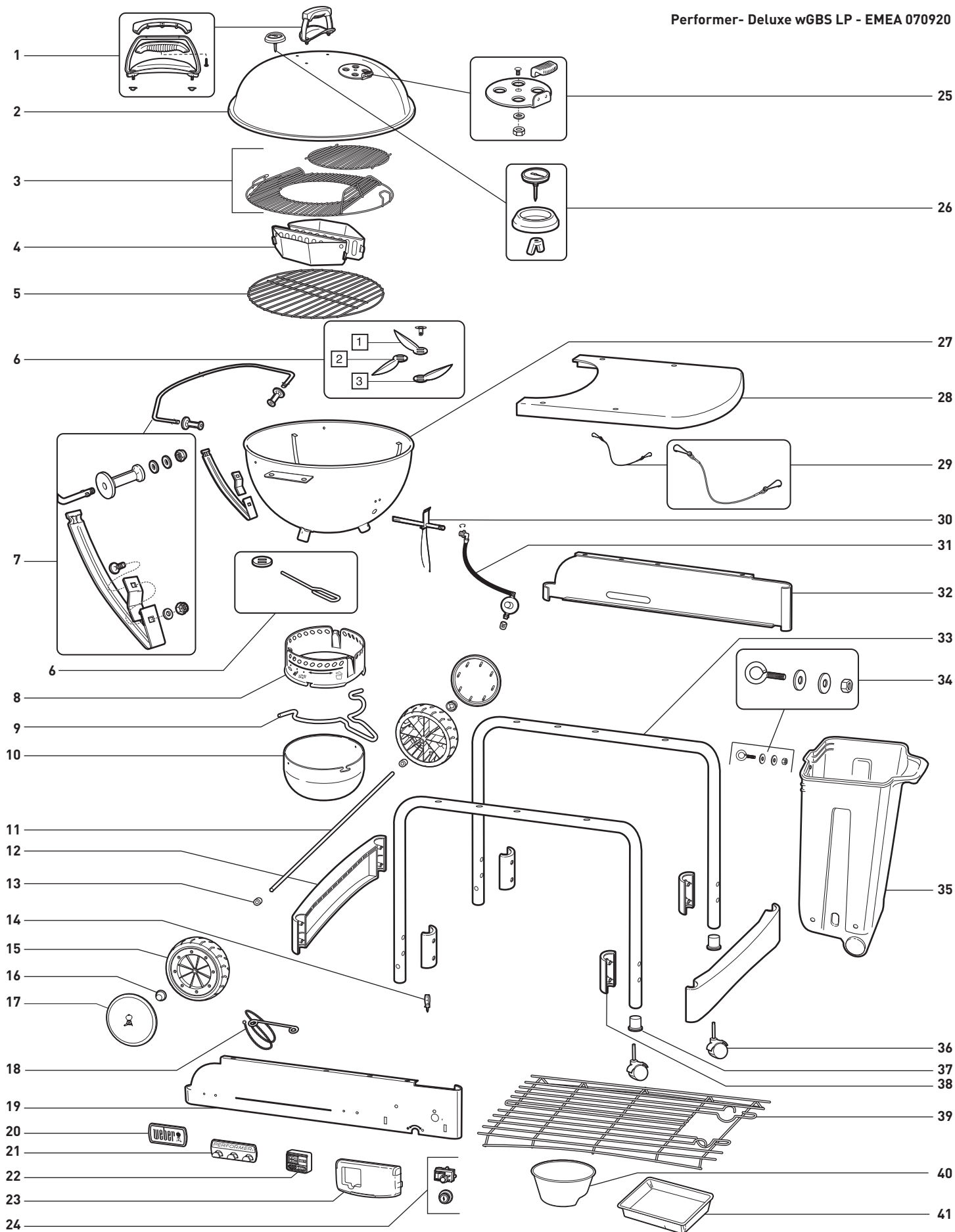
DU HAR ERSTATNINGSANSVARET FOR TAB, SKADER OG LEGEMSBESKADIGELSE PÅ DIG SELV OG DIN EJENDOM OG/ELLER PÅ ANDRE OG DERES EJENDOM, DER OPSTÅR SOM FØLGE AF FORKERT BRUG ELLER MISBRUG AF PRODUKTET ELLER UNDLADELSE AF AT FØLGE DE ANVISNINGER, DER ER ANGIVET AF WEBER I DEN MEDFØLGENDE BRUGERVEJLEDNING.

KOMPONENTER OG TILBEHØR, SOM UDSKIFTES UNDER DENNE GARANTI, ER KUN DÆKKET I DEN RESTERENDE DEL AF DEN/DE OVENNÆVNTE GARANTIPERIODE(R) FOR DEN OPRINDELIGE EJER.

DENNE GARANTI GÆLDER UDELUKKEDE VED PRIVAT BRUG I ENFAMILIEHUSE ELLER -LEJLIGHEDER OG GÆLDER IKKE WEBER-GRILLPRODUKTER, DER ANVENDES TIL KOMMERCIEL ELLER FÆLLES BRUG ELLER BRUG I FLERE ENHEDER, FX PÅ RESTAURANTER, HOTELLER OG RESORTS ELLER I UDLEJNINGSEJENDOMME.

WEBER ÆNDRER AF OG TIL DESIGNET PÅ DERES PRODUKTER. INTET I DENNE GARANTI KAN TOLKES PÅ EN SÅDAN MÅDE, AT WEBER ER FORPLIGTET TIL AT INKORPORERE SÅDANNE DESIGNÆNDRINGER I TIDLIGERE PRODUCEREDE PRODUKTER, OG SÅDANNE ÆNDRINGER KAN HELLER IKKE TOLKES SOM EN INDRØMMESE AF, AT TIDLIGERE DESIGN HAR VÆRET FEJLBEHÆFTET.

LAND		GASTYPE OG TRYK	
Danmark, Sverige, Norge, Finland, England, Holland, Storbritannien, Frankrig, Spanien, Portugal, Belgien, Irland, Grækenland, Luxembourg, Italien, Tyskland, Østrig		$I_{3B/P} - 29 \text{ mbar}$	
FORBRUGSOPLYSNINGER			
Tænding af brænder. Maks.			
Propan/ butan-blanding	kW	g/h	
	2,6	192	



- | | | |
|------------------------------------------------|----------------------------------|------------------------------------------|
| 1. Lågets håndtagssamling | 15. Hjul | 29. CHARBIN
fastholdelseskæde |
| 2. Låg | 16. Hjul kapsel | 30. Brændersamling |
| 3. GBS grillrist | 17. Hjuldækse | 31. Slange & Regulator med åbning & Clip |
| 4. CHAR-BASKETS | 18. Tændstikholder | 32. Bagpanel |
| 5. Kulrist | 19. Forpanel | 33. Understel |
| 6. ONE-TOUCH
rengøringsystem | 20. Logoplade | 34. CHARBIN hardware |
| 7. TUCK-AWAY lågholder & Laverer understøtning | 21. Redskabsholder | 35. CHARBIN |
| 8. Askeopsamlerring | 22. Digital timer til madlavning | 36. Låsende hjul |
| 9. Askeopsamlerhåndtag | 23. Gasregulatordæksel | 37. Hjulindsats |
| 10. Rummelig askeopsamler | 24. Tændingsknap/tændingsmodul | 38. Beslagholder til understel |
| 11. Aksel | 25. Spjældsamling på låg | 39. Bundhylde |
| 12. Beslag til stel | 26. Termometersamling | 40. Kulbæger |
| 13. Afstandstykke til hjul | 27. Grillbund | 41. Engangsdrypbakke |
| 14. Tændkabel Stiver | 28. Bord | |

Hvis du har spørgsmål eller ønsker rådgivning om din grill eller sikker betjening deraf, kan du logge på www.weber.com.

- Brugsanvisningen angiver mindstekravene for samling af din Weber grill. Læs brugsanvisningen nøje, inden du bruger din Weber grill. Forkert samling kan være farligt.
- Må ikke bruges af børn.
- Weber grillen er kun beregnet til brug med propan eller en blanding af propan-/butangas. Må ikke bruges med naturgas. Ventilen og regulatoren er kun til propan eller en blanding af propan-/butangas.
- Weber grillen er ikke beregnet til kommerciel brug.
- Brugen af alkohol og/eller receptpligtig eller håndkøbsmedicin kan svække brugerens evne til korrekt at samle eller sikkert betjene grillen.

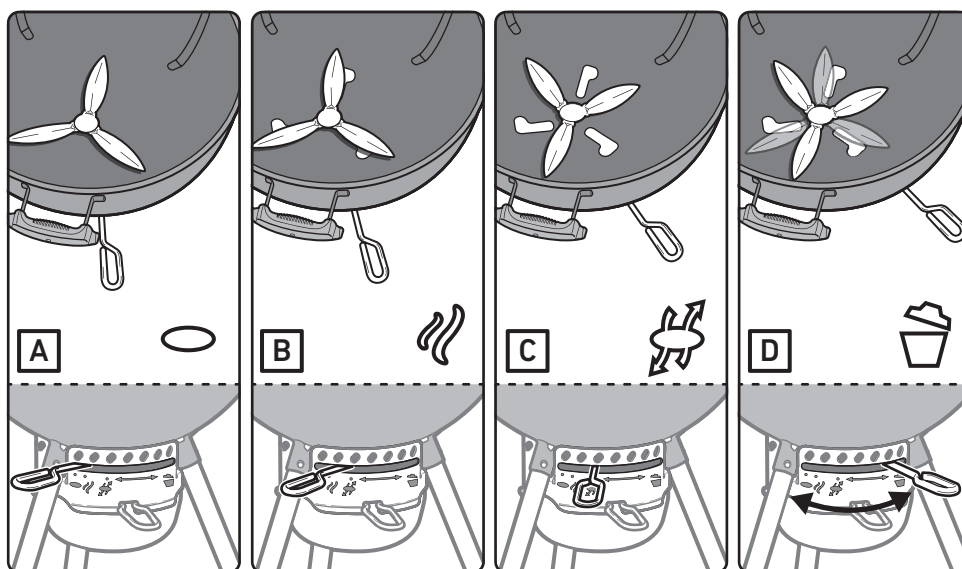
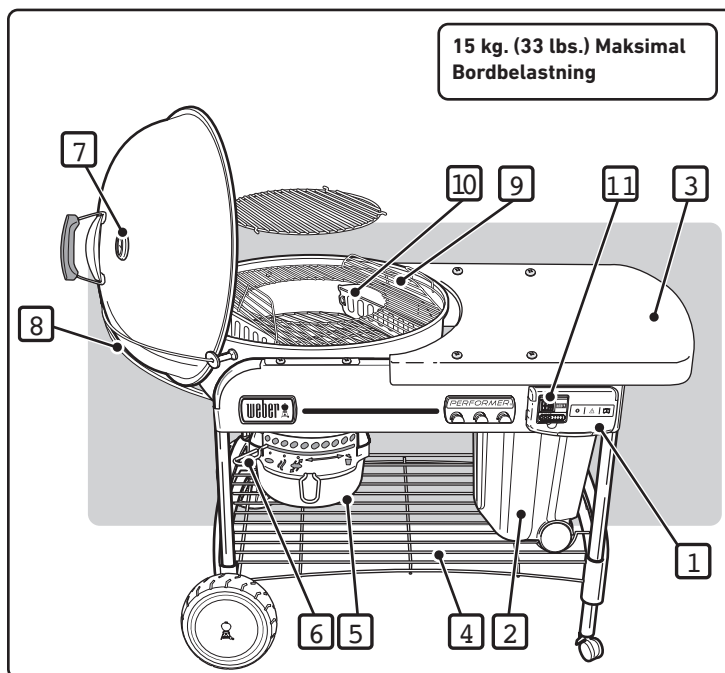
PRODUKTDETALJER

- A) Eksklusivt TOUCH-N-GO gastændingssystem eliminerer besværet med antænding af kulbriketter (1). Du skal bare trykke på knappen og holde den og systemets gasbrændere nede, så antændes kullene. Der skal ikke bruges eller opbevares farlige flydende starter væske, og der vil ikke længere være en eftersmag af flydende startervædske.
- B) CHARBIN opbevaringsbeholderen kan rumme en pose kul med en maksimal vægt på 13,7 kg (2). Posen med kul skal lægges direkte i CHARBIN opbevaringsbeholderen.
- C) Metaloverfladen giver en god arbejdsflade og dækker CHARBIN opbevaringsbeholderen, så briketterne forbliver tørre (3).
- D) Bekvem bundhylde til opbevaring (4).
- E) Rummelig askeopsamler, der kan låses på plads, hvilket løser problemet med flyvende aske (5).
- F) ONE-TOUCH rengøringsystem fejer let asken ud, eller åbner og lukker ventilerne (6).
- G) Termometer overvåger stegetemperaturen inde i grillen (7).
- H) TUCK-AWAY låg glider tilbage i holderen af rustfrit stål og fungerer som et værn mod vind, når der antændes briketter (8).
- I) GOURMET BBQ SYSTEM (GBS) hængslet grillrist (9), hængslede adgangslimme i risten åbnes, så det er nemt at tilføje briketter eller træspåner under madlavning. Inkluderer indsats til dagligdags brug. Passer til hele serien af GOURMET BBQ SYSTEM tilbehør.
- J) CHAR-BASKET kulbrændstofholdere er bekvemmelige og giver dig fleksibiliteten til at grille enten ved indirekte grillning eller ved koncentreret direkte grillning med træflis eller kul (10).
- K) Digital timer til madlavning (11).

- Weber grillen er ikke beregnet til og bør aldrig bruges som et varmeapparat.
- Weber grillen bør ikke efterlades uden opsyn. Hold altid børn og dyr væk fra Weber grillen.
- Eventuelle dele, som er blevet forseglet af fabrikanten, må ikke ændres af brugeren.
- Enhver ændring af grillen kan være farlig.
- Frakobl cylinderen, hvis: 1) den er tom; 2) grillen opbevares i en garage eller andet indelukket område; 3) grillen transporteres.

⚠ **Flyt ikke grillen andre steder hen under brug. Lad grillen afkøle, inden den flyttes.**

⚠ **Grillen er ikke beregnet til og bør aldrig bruges som et varmeapparat.**



DA A - Spjæld lukkede B - Lav og Langsom C - Spjæld åbne D - Fjern aske

⚠ **ADVARSEL:** Hvis du bruger tændvæske, skal du altid først kontrollere askeopsamleren, inden du tænder. Der kan samle sig væske i askeopsamleren, som kan antænde og starte en brand under skålen. Fjern eventuel tændvæske fra askeopsamleren, inden du tænder kullet.

TILSLUTNING AF ENGANGS PROPANGASFLASKE

Brug engangs propangasflasker, der mindst rummer 430 g og maksimalt 460 g. Flasken skal have en EN417-ventil, som vist. En flasketype, der kan anvendes, er en Primus model 2202 eller en Weber Q Gas engangsflaske.

⚠ ADVARSEL: Brug kun flasker mærket propanbrændsel eller propan-butan-blanding.

Skub engangs propangasflasken ind i regulatoren, og drej med uret, indtil den er strammet fast.

⚠ ADVARSEL: Stram kun til med hånden. Hvis der bruges for stor styrke, kan det skade regulatorkoblingen, hvilket kan medføre gasudsivning eller mangel på gasgennemstrømning.

KONTROLLER, OM DER ER GASUDSIVNING:**⚠ FARE**

Brug ikke åben ild til at kontrollere, om der er udsivning af gas. Sørg for, at der ikke er gnister eller åben ild i nærheden, mens det kontrolleres, om der er gasudsivning. Gnister eller flammer kan medføre brand eller eksplosion, som kan medføre alvorlig kvæstelser eller død, samt materiel skade.

Du har brug for følgende: Engangs propangasflaske, sæbevand og en klud eller børste til påføring.

- Bland sæbe og vand.
- Indstil gasstyringen på TIL ved at dreje mod uret.
- Kontroller, om der er udsivning ved at væde tilslutningen med sæbevand, og se, om der opstår bobler. Dannes der bobler, eller vokser en boble, så er der en lækage.

KONTROLLER:

- Forbindelsen regulator-til-engangs propangasflaske.

⚠ ADVARSEL: Hvis der er udsivning ved tilslutning (1), skal propangasflasken tages af. Betjen ikke grillen. Brug en anden engangs propanflaske, og kontroller igen, om der er udsivning, ved hjælp af sæbevandet. Lækker det stadig, efter at propangasflaskens tilslutning igen er strammet til, skal du slukke for gassen. **BETJEN IKKE GRILLEN. Kontakt kundeservicerepræsentanten i dit område ved brug af kontaktoplysningerne på vores webadresse. Gå ind på www.weber.com.**

KONTROLLER:

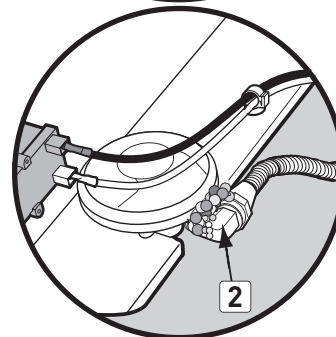
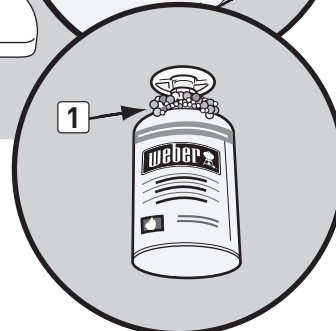
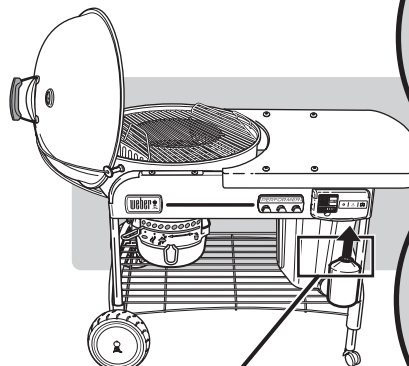
- Tilslutninger mellem ventil-og-regulator.

⚠ ADVARSEL: Hvis der er udsivning ved tilslutning (2), så slå gassen FRA. **BETJEN IKKE GRILLEN. Kontakt kundeservicerepræsentanten i dit område ved brug af kontaktoplysningerne på vort websted. Se mere på www.weber.com.**

Når lækagekontrollerne er færdige, så luk for gassen (FRA) ved kilden, og skyl tilslutningerne med vand.

⚠ FARE

Opbevar ikke en ekstra propanflaske under eller i nærheden af udstyret.



OPTÆNDING

⚠ FARE

Åbn låget før optænding. Brug aldrig brandbare væsker såsom tændvæske, benzin, sprit/alkohol eller nogen form for selvantændelige kul, heller ikke når du tænder op manuelt. Hvis du gør det, kan det medføre alvorlige kvæstelser eller død.

A) Tag grillens låg af, før gasfunktionen betjenes.

⚠ **FARE:** Hvis ikke dette gøres, kan der opstå en gassamling, der kan medføre brand eller eksplosion, hvilket kan forårsage alvorlige kvæstelser eller død samt materielle skader.

B) Åbn spjældene i bunden af kuglen (1).

C) Anbring CHAR-BASKETS over brænderen (2).

D) Skub tapperne ind på gasstyringsdækslet (3), og løft det for at åbne.

E) Tænd for gasforsyningen ved at dreje gasstyringen (4) mindst en hel omgang med uret.

⚠ **ADVARSEL:** Læn dig aldrig ind over den åbne grill, mens den antændes.

F) Tryk på tændingsknappen, og hold den inde, indtil brænderen antændes (5).

⚠ **FORSIGTIG:** Det kan være svært at se flammen i dagslys.

G) Efter at kullene er antændt (ca. 5 minutter), drejes gasstyringen mod (OFF) (med uret), indtil gassen slukker.

⚠ **FORSIGTIG:** Kontroller, at dækslet er helt lukket.

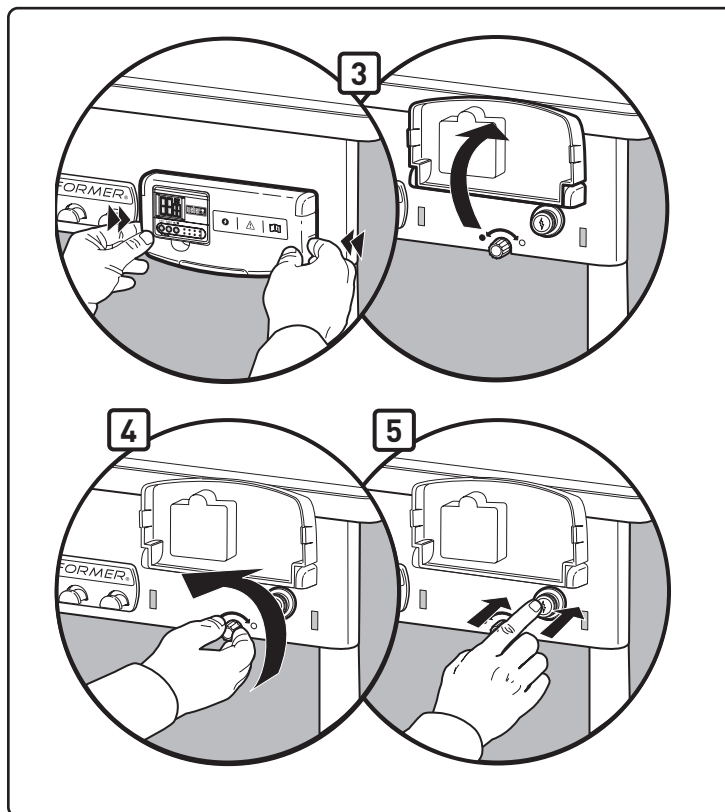
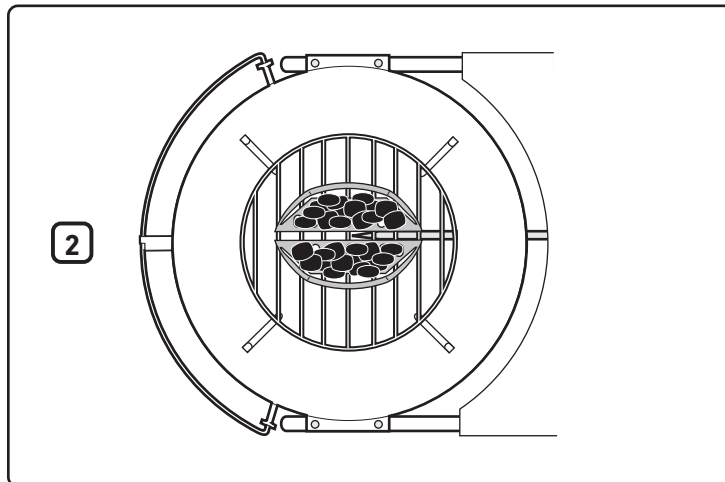
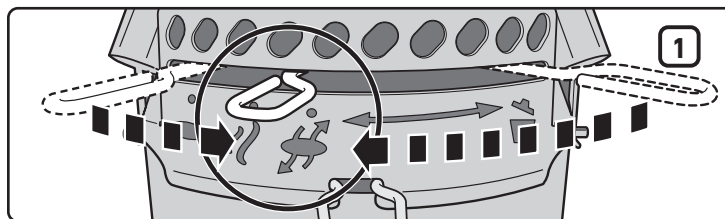
Bemærk - Forlænget brug af flasken, formindsker flaskens levetid.

H) Du kan begynde grillningen, når briketterne har et tyndt lag grå aske (cirka 25-30 minutter).

SÅDAN SLUKKES

Drej gasreguleringsknappen mod OFF (med uret), indtil den er lukket.

⚠ **Anvend grillhandsker (i henhold til DS/EN 407, Kontaktvarme, niveau 2 eller højere) og anvend tænger til at justere CHAR-BASKETS over brænderen.**



MANUEL OPTÆNDING

- ⚠ **ADVARSEL:** Forsøg ikke at tænde grillen manuelt uden at bruge tændstikholderen.

⚠ FARE

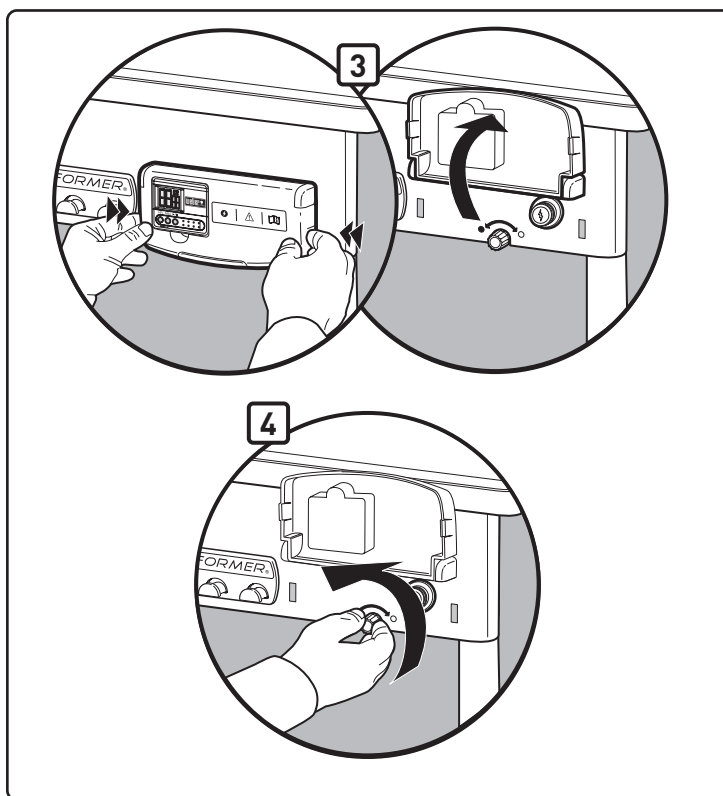
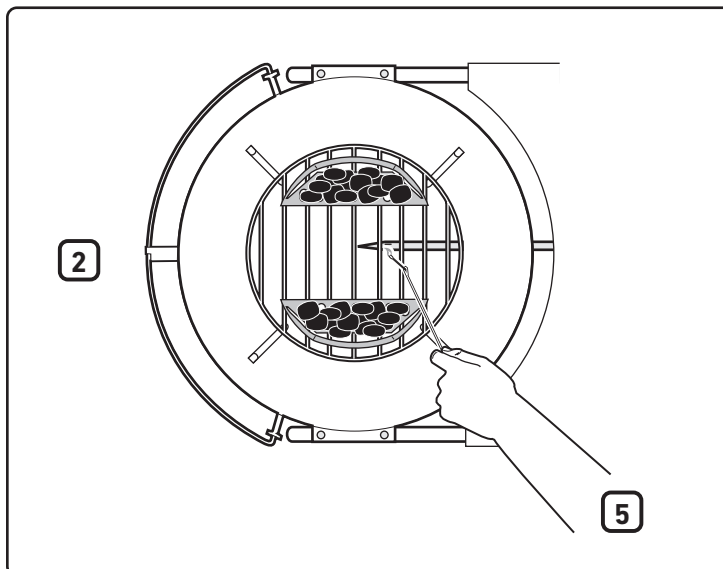
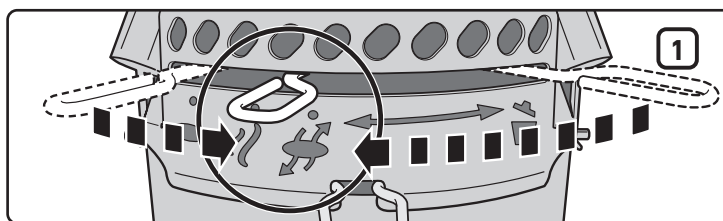
Åbn låget før optænding. Brug aldrig brandbare væsker, såsom tændvæske, benzin, alkohol/sprit eller nogen form for selvantændelige kul, heller ikke når du tænder op manuelt. Hvis du gør det, kan det medføre alvorlige kvæstelser eller død.

- A) Tag grillens låg af, før gasfunktionen betjenes.
- ⚠ **FARE:** Hvis ikke dette gøres, kan der opstå en gassamling, der kan medføre brand eller eksplosion, hvilket kan forårsage alvorlige kvæstelser eller død samt materielle skader.
- B) Åbn spjældene i bunden af kuglen (1).
- C) Flyt CHAR-BASKETS væk fra brænderen (2).
- D) Skub tapperne ind på gasstyringens dækslet (3), og løft det for at åbne.
- E) Sæt en tændstik i tændstikholderen. Tænd tændstikken.
- F) Drej på gasforsyningen (mod uret) mindst et hel omgang (4).
- G) Placer tændstikflammen bag ved brænderåbningen (5).
- ⚠ **ADVARSEL:** Hold ikke hånden direkte over brænderen, når der tændes manuelt.
- ⚠ **ADVARSEL:** Læn dig aldrig ind over den åbne grill, mens den antændes.
- ⚠ **FORSIGTIG:** Det kan være svært at se flammen i dagslys.
- H) Bær grillhandsker, og brug tænger til at flytte CHAR-BASKETS over brænderen.
- I) Efter at kullene er antændt, (ca. 5 minutter), drejes på gasstyringen (OFF) (med uret), indtil gassen slukker.
- J) Du kan begynde grillningen, når briketterne har et tyndt lag grå aske (cirka 25-30 minutter).

SÅDAN SLUKKES

Drej gasreguleringsknappen mod OFF (med uret), indtil den er lukket.

- ⚠ **Anvend grillhandsker (i henhold til DS/EN 407, Kontaktvarme, niveau 2 eller højere) og anvend tænger til at justere CHAR-BASKETS over brænderen.**



TIMERBETJENING

Den vandfaste digitale timer kan både klare optælling og nedtælling i timer, minutter og sekunder.

Sådan indstilles tiden til nedtælling:

- Tryk på knappen **Start/Stop**: ► / ■ for at tænde lyset i uret.
- Tryk på knappen **HR** (timer) (1) for at indstille antallet af timer. Hold knappen nede for at øge tiden (maksimum indstilling: 99 timer) (4).
- Tryk på knappen **MIN** (minutter) (2) for at indstille antallet af minutter. Hold knappen nede for at øge tiden (maksimum indstilling: 59 minutter) (5).
- Efter indstilling af tiden, tryk på knappen **Start/Stop**: ► / ■ (3) for at starte nedtællingen.
- Når nedtællingen er færdig, lyder alarmen i 30 sekunder, hvorefter nedtællingen starter automatisk forfra fra den tidligere tidsindstilling.

VIGTIGT

Når timeren har mere end en time tilbage af nedtællingen, vil H og M (timer og minutter) blinke, og tiden tæller ned for hvert minut. Når timeren har mindre end en time tilbage, skifter H og M til M og S (minutter og sekunder) og sekundnedtælling. Tallene vil begynde at tælle ned for hvert sekund.

For at nulstille tiden:

- Tryk på knappen **Start/Stop**: ► / ■ for at tænde lyset i uret.
- Tryk på knapperne **HR** og **MIN**: ↻ samtidig (1)(2).

Sådan indstilles tiden til optælling:

- Tryk på knappen **Start/Stop**: ► / ■ for at tænde lyset i uret.
- Tryk på knappen **Start/Stop**: ► / ■ igen for at starte optællingen. Displayet vil under optælling vise tiden i formaterne timer/minutter og minutter/sekunder.
- Tryk på knappen **Start/Stop**: ► / ■ to gange for at stoppe timeren. Optællingen vil stoppe efter 99 timer (4), 59 minutter (5).

Automatisk slukning:

- For at spare på batteriet, slukker lyset i uret efter 10 sekunder. Timeren vil slukke helt efter 10 minutter uden aktivitet.

Bemærk: Hvis timeren bruges i et miljø, der udsætter den for elektrostatisk udladning (statisk elektricitet), kan tidsindstillingen gå tabt. Nulstil timeren, hvis det sker.

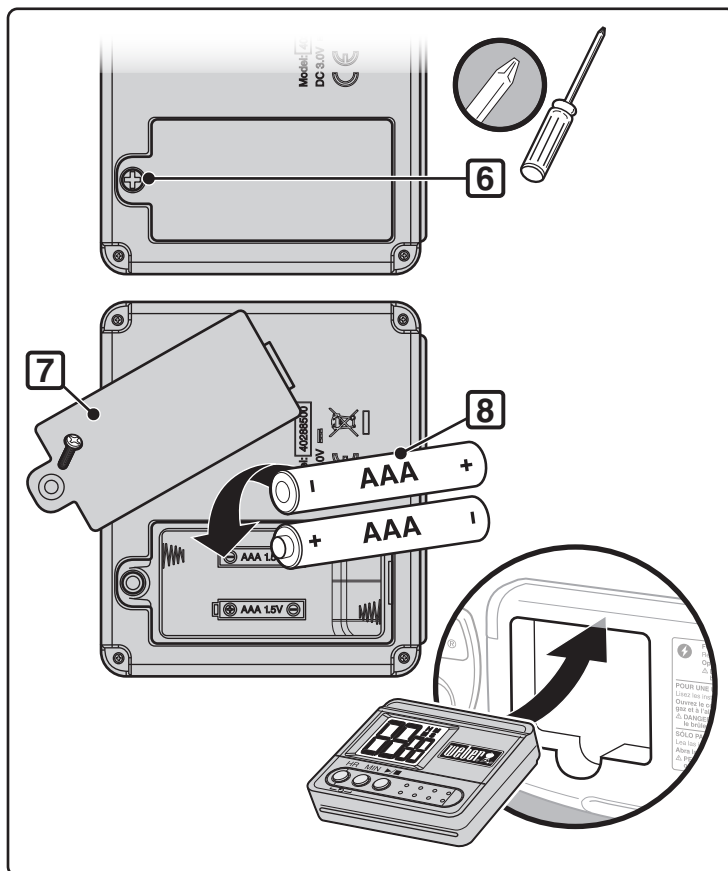
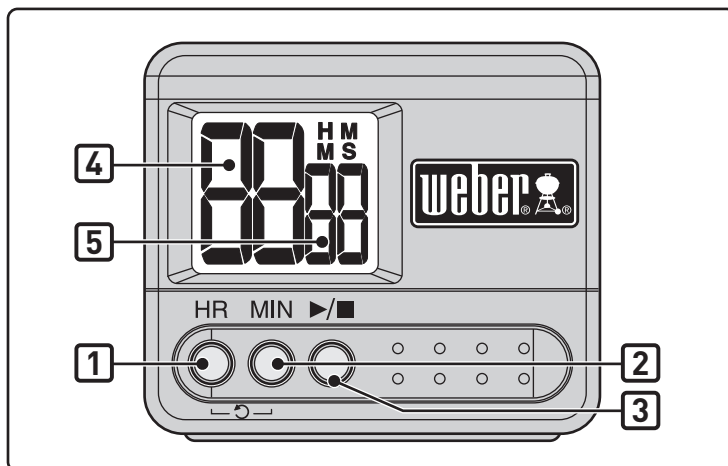
Batteriinstallation:

- Brug en stjerneskruetrækker til at låse batteriholderen bag på timeren op (6) ved at dreje skruen med urets retning.
- Tag dækslet til batteriholderen bag på timeren af (7).
- Udskiift eller isæt AAA batterier (8).
- Sæt dækslet til batteriholderen på igen.
- Lås dækslet på batteriholderen ved at dreje skruen mod urets retning med en stjerneskruetrækker.
- Efter installation af batterierne vises (0000) på LCD-skærmen.

Vedligeholdelse:

- Rengør ikke timeren med et slibende eller korroderende rengøringsmiddel. Det kan ridse timeren eller korrodere de elektroniske kredsløb.
- Udsæt ikke timeren for store kræfter, stød, støv eller meget høje temperaturer eller fugtighed. Det kan resultere i fejlfunktion, en kortere funktionstid for elektronikken, batteriskade eller forvrængede dele.
- Pil ikke ved timerens indvendige dele. Det vil annullere timerens garanti og kan unødigt beskadige batteriet og de interne dele.
- Udsæt ikke timeren for alt for meget direkte sollys eller stærk regn.
- Timeren må ikke nedsænkes i vand.

For bedste ydeevne anbefales det at opbevare timeren indendørs, når den ikke er i brug.



PROBLEM	KONTROLLER	AFHJÆLPNING
Brænderne brænder med gul eller orange flamme, samtidig med at der er gaslugt.	Efterse brænderen for mulig tilstopning.	Rengør brænder. (Se afsnittet "Vedligeholdelse")
Brænderen tænder ikke, eller flammen er lav.	Er der meget lidt eller ingen flydende propangas tilbage?	Udskift propangasflasken.
	Er brændstofslangen bøjet eller med knæk?	Ret slangen ud.
	Kan brænderen tændes med en tændstik?	Hvis brænderen tændes med en tændstik, så kontroller antændingssystemet.
	Er slangen til brænderrørets tilslutning korrekt fastgjort?	Forbind gasslangen til brænderrøret ved brug af den medfølgende metalholderklips. ⚠ FARE: Brug ikke gastændingssystemet, hvis holderklipsen mangler. En manglende holderklips kan forårsage alvorlige kvæstelser eller død og materiel skade. Kontakt kundeservice for en reserve holderklips.
Brænderflammen er ustabil.	Er brænderen ren?	Rengør brænder. (Se afsnittet "Vedligeholdelse")
Brænder tænder ikke, når du trykker på tændingsknappen.	Vær sikker på, at gassen strømmer ud til brænderne ved at prøve at tænde brænderne med en tændstik. Læs "MANUEL TÆNDING."	Hvis du kan tænde med et tændstik, ligger problemet i tændingssystemet. Læs "BETJENING AF ELEKTRONISK TÆNDINGSSYSTEM."
	Er der installeret et nyt batteri?	Kontrollér, at batteriet er i god stand og korrekt installeret. Læs "EFTERSYN AF ELEKTRONISK GNISTTÆNDER."
	Er ledningerne korrekt tilsluttet til tændingsmodulet?	Se efter, at ledningerne er stukket korrekt ind i terminalerne på tændingsboksen. Læs "BETJENING AF ELEKTRONISK TÆNDINGSSYSTEM."
	Er der plastikfilm omkring batterierne?	Fjern plastikfilmen.
Timeren virker ikke.	Er der installeret friske batterier?	Bekræft at batterierne er i god stand og installeret korrekt. Se "TIMERBETJENING".
Lågets inderside ser ud, som om den "skaller af". (Ligner afskallet maling.)	Det, som du kan se, er brændt fedt, der er forkullet, og som skaller af. DET ER IKKE EN FEJL.	Rengør grundigt. (Se afsnit: "Rengøring")
Hvis problemet ikke kan løses som anvist, skal du kontakte din lokale kundeservicerepræsentant ved at følge kontaktoplysningerne på vores websted. Besøg www.weber.com .		

VEDLIGEHOELDELSE

Efter en periode, hvor grillen ikke har været brugt, anbefaler vi, at du foretager følgende vedligeholdelse af hensyn til din sikkerhed.

- Før hver anvendelse af grillen, skal det kontrolleres, om der er ridser, revner, afskrabninger eller snit på slangen. Grillen må ikke benyttes, hvis slangen er beskadiget på nogen som helst måde. Udskift kun med en godkendt Weber udskiftningslange. **Kontakt kundeservicerepræsentanten i dit område ved brug af kontaktoplysningerne på vor webadresse.**
Se mere på www.weber.com.

⚠ FORSIGTIG: Hvis grillens gasslange er beskadiget på nogen måde eller lækker, skal du ikke bruge grillen.

- Undersøg brænderen for korrekt flammemønster (se afsnittet "Brænderens flammemønster"). Rengør, om nødvendigt, ved brug af procedurerne, der beskrives i dette afsnit.
- Kontroller alle gassamlinger for udsivning (se afsnittet "Kontrol af gaslækager").

REGELMÆSSIG RENGØRING

For at fjerne aske fra kuglen skal du bevæge styrestangen (1) fra side til side, således at spjældbladene fejer asken ud gennem kuglens ventilationshuller og ind i askeskuffen.

⚠ FORSIGTIG: Kontroller, at brænderen er slået fra, og at grillen er kold før rengøring.

Lad være med at gøre brændeåbningerne større, når de renses.

Sådan renses brænderen:

- Børst brænderenslangen (2) udvendigt og afsnittet med brænderåbningen (3) med en metalbørste.

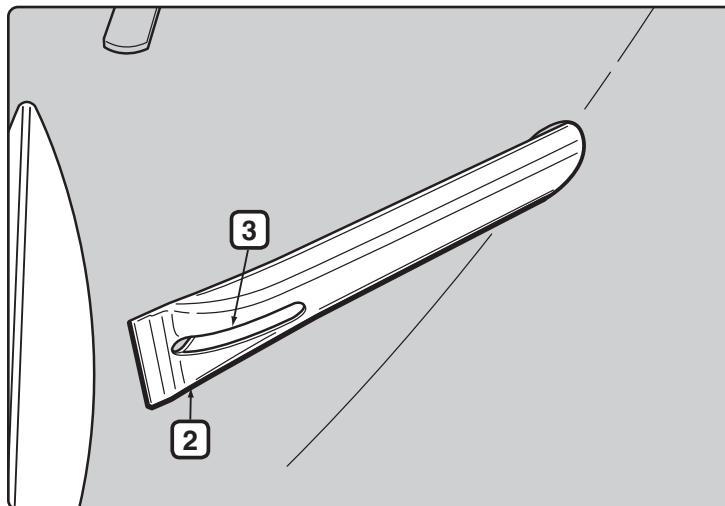
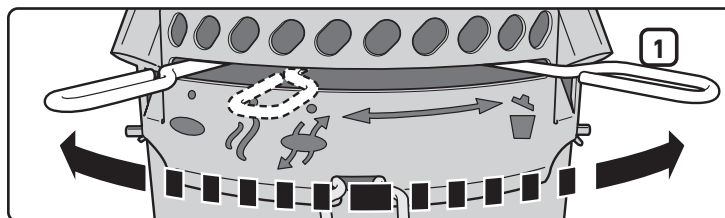
⚠ FORSIGTIG: Gør ikke brænderåbningerne eller gashullet større under rensningen.

Sådan renses kuglen:

- Mens låget er varmt, aftørres det indvendigt med en papirklud for at forhindre fedtansamlinger.
- På udvendige overflader bruges en varm sæbeopløsning, og skyl godt med rent vand.

For en mere grundig rengøring (udføres mindst én gang om året):

- Fjern aske, efter at kullene er helt udslukkede.
- Fjern risten og CHAR-BASKETS.
- Aftør med papirklude. Vask med vand og et mildt vaskemiddel. Skyl grundigt med rent vand, og aftør.

**OPBEVARING**

- Når Performer grillen opbevares indendørs, skal gasforsyningen afmonteres, og propangasflasken skal opbevares udendørs på et velventileret sted.
- Propangasflasken skal opbevares udendørs på et velventileret sted uden for børns rækkevidde og må ikke opbevares i en bygning, garage eller andet lukket område.
- Efter en opbevaringsperiode og/eller en periode uden brug, skal grillen kontrolleres for gasudsivninger og tilstoppelse af brænderenslangen før ibrugtagning (se afsnittet "Vedligeholdelse").
- Kontroller før brug, at området rundt om gasflasken, slangen og brændermodulet er fri for snavs, som kan tilstoppe gas- eller lufttilstrømning.

INSEKTADVARSEL

Din Performer Grill kan som ethvert andet udstyr, der anvendes udendørs, blive udsat for edderkopper og insekter. De kan bygge rede i brænderslangens blandingskammer (1) og bevirke, at gassen strømmer tilbage ud af luftlemmen.

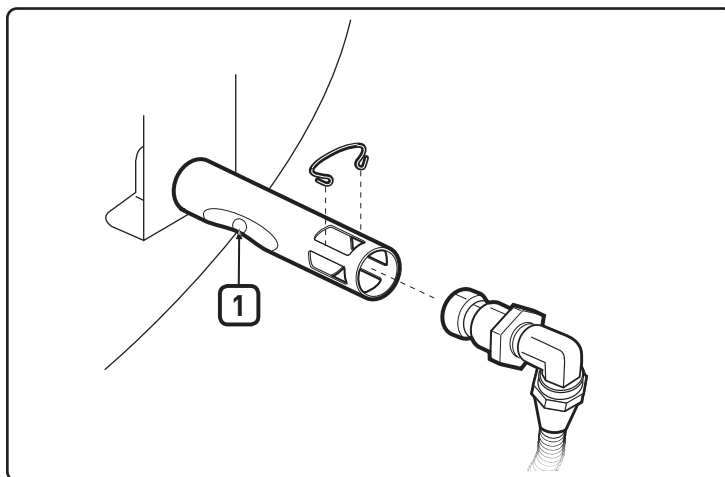
Dette kan resultere i brand i og omkring brænderslangen under kuglepanelet. Det kan forårsage alvorlig skade på din grill, og gøre den farlig at bruge.

Vi anbefaler stærkt, at du efterser og renser brænderslangen mindst én gang om året, eller hvis et af følgende symptomer opstår:

- A) Gaslugt i forbindelse med at brændeblammen virker gullig og slap.
- B) Brænderen laver små smældlyde.

⚠ FARE

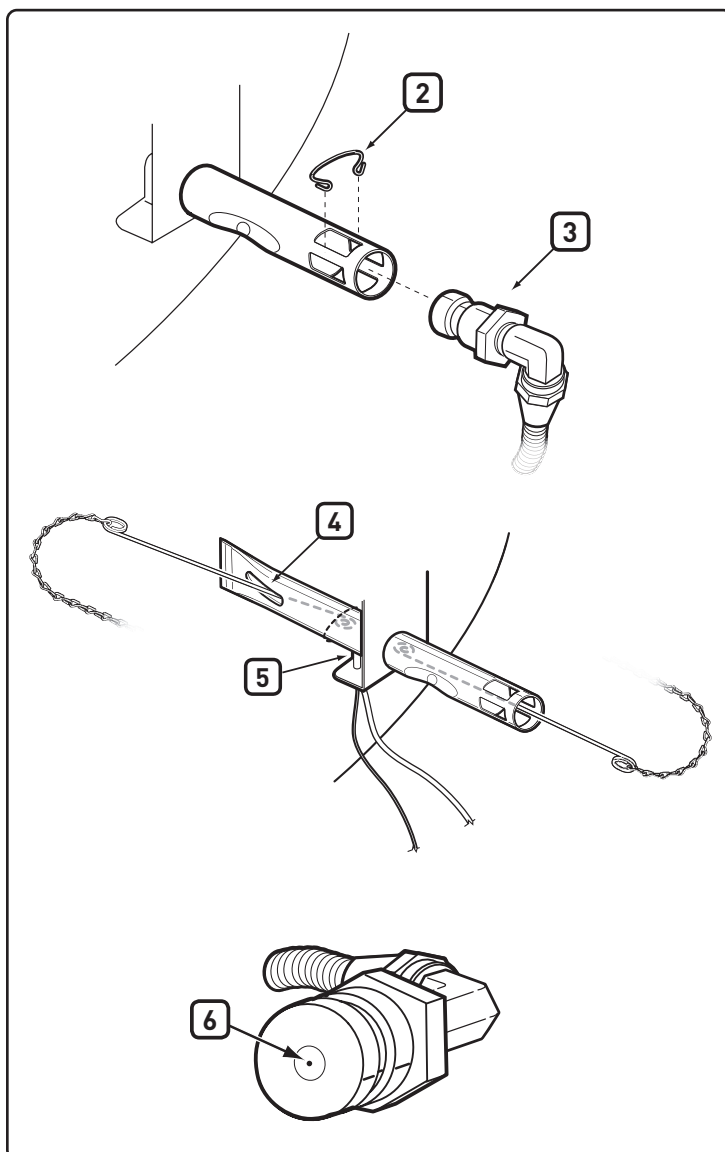
Hvis disse symptomer ikke rettes, så kan det medføre brand, der kan forårsage alvorlige kvæstelser eller materiel skade.

**EFTERSYN OG RENSNING AF BRÆNDEREN**

- A) Sluk for gassen til grillen (OFF).
- B) Aftag CHARBIN opbevaringsbeholderen.
- C) Fjern hulklipsen (2) og slangesamlingen (3) fra brænderslangen.
- D) Kig ind i brænderen ved hjælp af en lygte.
- E) Rengør indersiden af brænderen med tændstikholderen (monteret bag pladen med Weber-logo).
Brug wiren til at rengøre området omkring luftlemmen, og brænderhullerne (4) indvendig i kuglen. Når du indsætter rens værktøjet i brænderen, skal du passe på ikke at beskadige tændingselektroden (5).
- F) Tjek igen med en lommelygte for at sikre dig, at der ikke er nogen tilstopninger.
- G) Hvis det er nødvendigt, kan overfladen af slangesamlingen renses med en metalbørste. Hullet (6) kan renses med en lille pind.

⚠ FORSIGTIG: Lad være med at gøre hullet større, under rensningen.

- H) Saml igen ved at gå i modsat rækkefølge af trinene B og C.

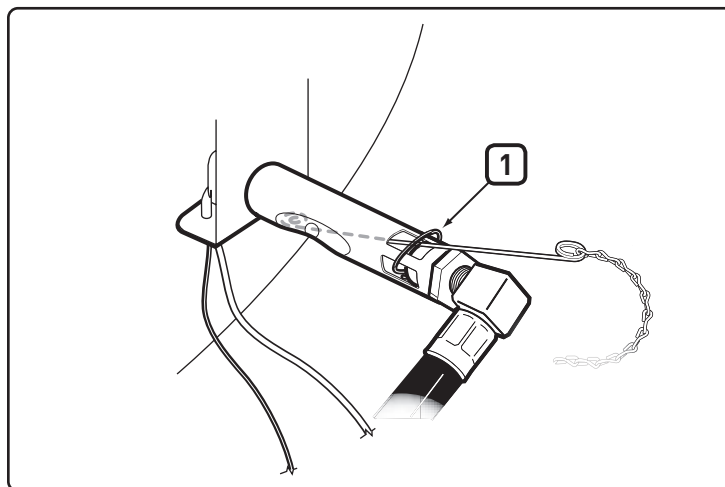


REGELMÆSSIG LETTERE RENGØRING

Vi anbefaler, at du jævnligt børster brænderhullerne udvendig med en metalbørste og renser brænderrøret via forbrændingsluftventilationen med tændstikholderen, der medfølger.

Dette kan gøres ved at placere brænderens luftåbning til antænding (1) nede under kuglebeslaget og sætte redskabet ind gennem hver luftåbning til antænding, og dreje redskabet rundt. Når du indsætter tændstikholderen, skal du passe på ikke at beskadige tændingselektroden.

⚠ FORSIGTIG: Det er vigtigt at udføre denne rengøringsprocedure oftere om foråret og sommeren.



EFTERSYN AF ELEKTRONISK TÆNDING

Hvis det elektroniske tændingssystem ikke tænder, kan du sikre dig, at der er gastilførsel ved at forsøge at tænde brænderne med tændstikker. Læs "MANUEL TÆNDING". Hvis du kan tænde med en tændstik, ligger problemet i det elektroniske tændingssystem.

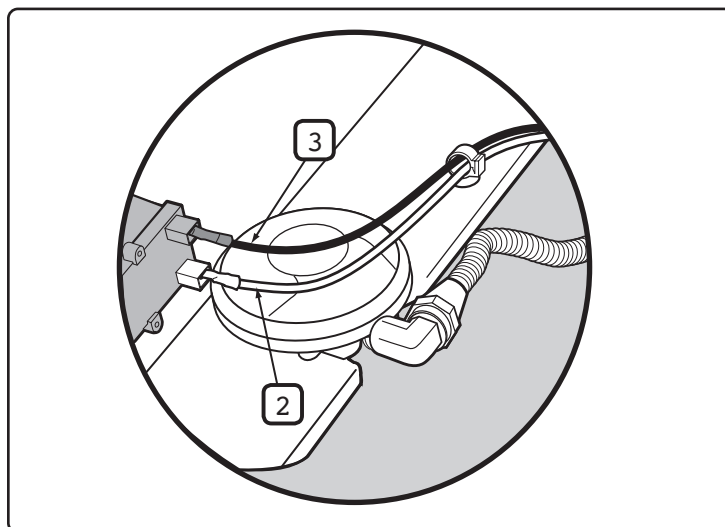
⚠ ADVARSEL: Alle gasreguleringen og forsyningsventiler skal stå på positionen OFF.

- Kontrollér, at AAA-batteriet (kun alkalisk) er i god stand og korrekt installeret (1). Nogle batterier er omviklet med en beskyttelsesfilm. Denne film skal fjernes. Forveksl ikke denne film med batterietiketten.
- Kontrollér, at både den hvide (2) og sorte (3) tændingswire er korrekt tilkoblet.
- Kontrollér, at den elektroniske tændingsknop fungerer ved at lytte og se efter gnister ved brænderen.
- Kontrollér, om tændingsknappen er løs i kanten. Stram om nødvendigt. Se trinnet "Installer" for oplysning om den rette fremgangsmåde.

Udskift Batteriet, Hvis Det Er Påkrævet

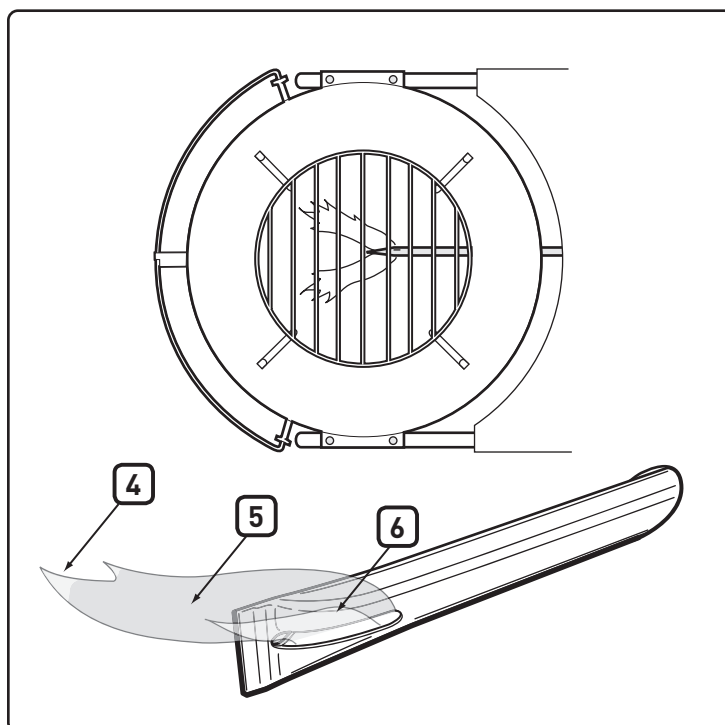
Kun AAA alkalisk batteri.

Virker det elektroniske tændingssystem stadigvæk ikke, kontaktes områdets kundeservicerepræsentant via kontaktoplysningerne på vores websted. Besøg www.weber.com.



FLAMMEMØNSTER FOR BRÆNDER

Brænderen er indstillet af fabrikken i forhold til korrekt blanding af luft og gas. Det korrekte flammemønster skal have gullige spidser (4) være mørkeblå i midterpartiet (5), og lyseblå ved brænderrøret (6). Hvis flammerne ikke ser ud som vist, eller hvis der opstår "smældlyde", følges fremgangsmåde for rensning af brænderen.



⚠ VIGTIGT: Dette produkt er sikkerhedstestet og kun certificeret til brug i et bestemt land. Find landeangivelsen, som er anført uden på kassen.

Disse komponentdele kan være gasførende eller gasafbrændende. Kontakt Weber-Stephen Products LLC kundeservice for oplysninger om originale reservedele til Weber-Stephen Products LLC.

⚠ ADVARSEL: Forsøg ikke at på reparere gasførende eller gasbrændende dele uden at kontakte kundeservice hos Weber-Stephen Products LLC Overholder du ikke denne produktadvarsel, kan dine handlinger forårsage brand eller eksplosion, som medfører alvorlige person- og materielskader eller døden.



WEBER-STEPHEN PRODUCTS LLC
www.weber.com

PERFORMER DELUXE

Guía del propietario de la barbacoa de carbón

Lea la guía del propietario antes de usar la barbacoa.

Montaje -  p. 6

LEA ATENTAMENTE ESTA GUÍA DEL PROPIETARIO ANTES DE UTILIZAR SU BARBACOA DE GAS

⚠ PELIGRO

Si huele a gas:

1. Corte el suministro de gas del aparato.
2. Apague las llamas abiertas.
3. Abra la tapa.
4. Si el olor persiste, manténgase alejado del aparato y llame inmediatamente a la compañía de gas o a los bomberos.

Los escapes de gas pueden provocar incendios o explosiones que pueden causar graves daños personales y materiales, e incluso víctimas mortales.

⚠ ADVERTENCIA: Siga cuidadosamente todos los procedimientos de comprobación de escapes de este manual antes de poner en funcionamiento la barbacoa. Hágalo incluso aunque la barbacoa haya sido montada por el proveedor.

⚠ ADVERTENCIAS:

1. No almacene ni utilice gasolina ni vapores o líquidos inflamables cerca de este o de cualquier otro aparato.
2. No almacene bombonas de gas no conectadas para su uso cerca de este o de cualquier otro aparato.

⚠ ADVERTENCIA: No intente encender la barbacoa de gas Weber sin leer primero las instrucciones de "encendido" de este manual.

INFORMACIÓN PARA EL INSTALADOR:
Este manual debe quedar en poder del propietario, que debe conservarlo para usos futuros.

SÓLO SE DEBE UTILIZAR AL AIRE LIBRE.

ES

NO CONSIDERAR ESTOS AVISOS DE PELIGRO, ADVERTENCIA Y PRECAUCIÓN PUEDE CAUSAR LESIONES CORPORALES GRAVES O LA MUERTE, ASÍ COMO UN INCENDIO O EXPLOSIÓN QUE PRODUZCA DAÑOS MATERIALES.

- ⚠ Los **SÍMBOLOS DE SEGURIDAD** (⚠) le avisan de información de **SEGURIDAD** importante.
- ⚠ Las palabras **PELIGRO, ADVERTENCIA** o **PRECAUCIÓN** se usarán con el **SÍMBOLO DE SEGURIDAD**.
- ⚠ La palabra **PELIGRO** identifica el riesgo más grave.
- ⚠ Lea toda la información de seguridad incluida en esta Guía del propietario antes de poner esta parrilla en funcionamiento.

⚠ PELIGROS

- ⚠ No use esta parrilla debajo de ninguna estructura combustible.
- ⚠ Un montaje mal hecho puede ser peligroso. Siga las instrucciones de montaje de este manual. No use la parrilla a menos que todas las piezas estén colocadas en su sitio. Asegúrese de que el colector de ceniza esté adecuadamente sujeto a las patas debajo del bol de la parrilla, o de que el colector de ceniza de alta capacidad esté colocado en su sitio antes de encender la parrilla.
- ⚠ No debería haber nunca materiales combustibles a menos de 60 cm de la parte superior, inferior, posterior o lateral de la parrilla.
- ⚠ No se apoye nunca sobre la parrilla cuando encienda el quemador de gas.
- ⚠ No use esta parrilla en condiciones de viento fuerte.
- ⚠ No ponga la parrilla en funcionamiento si hay una fuga de gas.
- ⚠ No use una llama para comprobar si hay fugas de gas.
- ⚠ Si en algún momento se apaga el quemador durante el funcionamiento, cierre la válvula del tanque. Retire la tapa y espere cinco minutos antes de intentar volver a encenderlo, siguiendo las instrucciones de encendido detalladas en este manual.
- ⚠ No intente desconectar el regulador de gas del tanque ni ninguna conexión de gas mientras esté usando la parrilla.
- ⚠ Use solamente el regulador de gas (LP) que se suministra con la parrilla.

⚠ ADVERTENCIAS

- ⚠ Siga las instrucciones de conexión del regulador para su tipo de parrilla.
- ⚠ No almacene un cartucho de gas LP desechable de repuesto o desconectado debajo o cerca de esta parrilla.
- ⚠ Mantenga la parrilla sobre una superficie segura y nivelada en todo momento, alejada de materiales combustibles.
- ⚠ No ponga la tapa de la parrilla ni nada inflamable sobre o dentro de la zona de almacenamiento bajo la parrilla.
- ⚠ Retire siempre la tapa antes de encender el quemador de gas, ya sea manualmente o con el ignitor. NO vuelva a colocar la tapa hasta que el carbón esté completamente encendido.
- ⚠ Use herramientas apropiadas para la parrilla, con mangos largos y resistentes al calor.
- ⚠ Algunos modelos pueden incluir un soporte TUCK-AWAY para la tapa. El soporte TUCK-AWAY para la tapa permite tener la parrilla abierta mientras se comprueba el nivel de asado o se le da la vuelta a los alimentos. No use el soporte TUCK-AWAY para la tapa como asa para levantar o mover la parrilla. No coloque una tapa caliente sobre una alfombra o la hierba. No cuelgue la tapa del asa del bol.
- ⚠ Maneje y guarde los encendedores eléctricos calientes con cuidado.
- ⚠ Mantenga los cables de alimentación y eléctricos alejados de las superficies calientes de la parrilla y fuera de zonas muy transitadas.
- ⚠ Después de un período de almacenamiento y/o de falta de uso, compruebe que no haya fugas de gas ni obstrucciones en los quemadores antes de volver a usar la parrilla. Consulte los procedimientos correctos en las instrucciones de este manual.
- ⚠ La conversión de combustible o intentar usar gas natural en esta parrilla es peligroso y anulará su garantía.
- ⚠ Un cartucho desechable de gas abollado u oxidado puede ser peligroso y debería hacer que su proveedor de propano líquido lo revise. No use un cartucho desechable de gas con una válvula dañada.
- ⚠ Aunque parezca que su cartucho desechable está vacío, aún puede contener gas. Debe transportar y guardar los cartuchos desechables de gas de forma adecuada.
- ⚠ Use manoplas o guantes de barbacoa resistentes al calor (con nivel 2 o superior de resistencia al calor por contacto según la norma EN 407) al cocinar, ajustar la apertura de los orificios de ventilación (reguladores), agregar carbón y manipular el termómetro o la tapa.
- ⚠ Si ve, huele o escucha un escape de gas en el cartucho desechable:
 1. Aléjese del cartucho desechable de gas.
 2. No intente corregir el problema usted mismo.
 3. Llame a los bomberos.

⚠ PRECAUCIONES

- ⚠ Forrar el recipiente con papel de aluminio obstruiría el flujo de aire. En lugar de hacer eso, use una bandeja para recoger el goteo de la carne cuando cocine usando el método indirecto.
- ⚠ Usar objetos afilados para limpiar la parrilla de cocción o para retirar las cenizas hará que se deteriore el acabado.
- ⚠ Usar limpiadores abrasivos sobre las parrillas de cocción o la estructura de la parrilla deteriorará el acabado.
- ⚠ Debería limpiar la parrilla en profundidad de forma regular.

Gracias por adquirir un producto WEBER. 1415 S. Roselle Road, Palatine, Illinois 60067 USA ("WEBER") se enorgullece de ofrecer un producto seguro, duradero y fiable. Esta Garantía Voluntaria de WEBER se le ofrece sin ningún coste adicional. Contiene la información necesaria para que reparen su producto WEBER en el caso improbable de fallo o defecto.

De conformidad con las leyes aplicables, el cliente tiene varios derechos en caso de que el producto sea defectuoso. Dichos derechos incluyen desempeño o sustitución suplementaria, reducción del precio de compra y compensación. En la Unión Europea, por ejemplo, esta sería una garantía legal de dos años a partir de la fecha de entrega del producto. Estos y otros derechos legales permanecen inalterados por la disposición de la presente garantía. De hecho, la presente garantía otorga derechos adicionales al Propietario independientemente de las provisiones legales de la garantía.

GARANTÍA VOLUNTARIA DE WEBER

WEBER garantiza, al comprador original del producto WEBER (o en el caso de un regalo o artículo promocional, a la persona que lo adquirió como regalo o artículo promocional), que el producto WEBER está libre de defectos materiales y de mano de obra durante el/los periodo(s) de tiempo abajo especificado(s) siempre y cuando se monte y use de acuerdo con la Guía del Propietario que lo acompaña. (Nota: si pierde o extravía la Guía del Propietario WEBER, hay una disponible a través de Internet en el sitio web www.weber.com o en el sitio web específico para cada país donde el Propietario sea redirigido). En condiciones de uso y mantenimiento normales en apartamentos y residencias unifamiliares privadas, WEBER acuerda reparar o sustituir las piezas defectuosas dentro de los periodos de tiempo, limitaciones y exclusiones aplicables que se disponen a continuación. EN LA MEDIDA PERMITIDA POR LA LEY APLICABLE, ESTA GARANTÍA SE EXTIENDE ÚNICAMENTE AL COMPRADOR ORIGINAL Y NO ES TRANSFERIBLE A PROPIETARIOS POSTERIORES, SALVO EN EL CASO DE REGALOS Y ARTÍCULOS PROMOCIONALES, TAL Y COMO SE DISPONE ANTERIORMENTE.

RESPONSABILIDADES DEL PROPIETARIO EN VIRTUD DE ESTA GARANTÍA

A fin de garantizar una cobertura de la garantía sin problemas, es importante (pero no obligatorio) registrar el producto WEBER a través de Internet en el sitio web www.weber.com o en el sitio web específico para cada país donde el Propietario sea redirigido). Conserve también el comprobante de compra original y/o factura. El acto de registrar su producto WEBER confirma la cobertura de su garantía y proporciona un enlace directo entre usted y WEBER en el caso de que tengamos que ponernos en contacto con usted.

La garantía anterior solo se aplica si el Propietario cuida razonablemente el producto WEBER observando todas las instrucciones de montaje, instrucciones de utilización y mantenimiento preventivo tal y como se describe en la Guía del Propietario que lo acompaña, salvo que el Propietario pueda probar que el defecto o fallo es independiente del no cumplimiento de las obligaciones mencionadas anteriormente. Si vive en una zona costera o su producto está ubicado cerca de una piscina, el mantenimiento incluye el lavado y enjuague regular de las superficies exteriores tal y como se describe en la Guía del Propietario que lo acompaña.

UTILIZACIÓN DE LA GARANTÍA / EXCLUSIONES DE LA GARANTÍA

Si cree que hay alguna pieza cubierta por esta Garantía, póngase en contacto con el Servicio de Atención al Cliente de WEBER mediante la información de contacto en nuestro sitio web (www.weber.com) o en el sitio web específico para cada país donde el Propietario sea redirigido). WEBER, después de investigarlo, reparará o sustituirá (según su criterio) la pieza defectuosa cubierta por esta Garantía. En el caso de que la reparación o la sustitución no sean posibles, WEBER podrá optar (según su criterio) por sustituir la barbacoa en cuestión por una nueva de igual o más valor. WEBER podrá pedirle que devuelva las piezas para su inspección con los gastos de envío pagados previamente.

Esta GARANTÍA no tendrá efecto en caso de daños, deterioros, decoloraciones y/u oxidación de los que WEBER no sea responsable provocados por:

- Abuso, uso indebido, alteración, modificación, mal uso, vandalismo, negligencia, montaje o instalación incorrectos y no realizar correctamente el mantenimiento rutinario normal;
- Insectos (como arañas) y roedores (como ardillas), incluyendo, pero no limitándose a daños en los tubos del quemador y/o los tubos flexibles de gas;
- Exposición a aire salino y/o fuentes de cloro como piscinas y balnearios/jacuzzis;
- Condiciones climáticas muy adversas como granizo, huracanes, terremotos, tsunamis, tornados o tormentas fuertes.

El uso y/o instalación de piezas en el producto WEBER que no sean piezas originales WEBER anulará esta Garantía y cualquier daño resultante no estará cubierto por esta Garantía. Cualquier conversión de una barbacoa de gas no autorizada por WEBER o no realizada por un técnico de servicio autorizado por WEBER anulará esta Garantía.

PERIODOS DE GARANTÍA DEL PRODUCTO

Cuba, tapa y anillo central:
10 años, sin óxido/quemaduras

Sistema de limpieza ONE-TOUCH:
5 años, sin óxido/quemaduras

Componentes plásticos:
5 años, excluyendo la decoloración

Todas las demás piezas:
2 años

CLÁUSULAS DE EXENCIÓN DE RESPONSABILIDAD

ADEMÁS DE LA GARANTÍA Y LAS EXENCIONES DE RESPONSABILIDAD DESCRITAS EN ESTA DECLARACIÓN DE GARANTÍA, NO EXISTEN MÁS DECLARACIONES VOLUNTARIAS O DE GARANTÍA EXPLÍCITAS DE RESPONSABILIDAD MÁS ALLÁ DE LA RESPONSABILIDAD LEGAL APLICABLE A WEBER. LA PRESENTE DECLARACIÓN DE GARANTÍA TAMPOCO LIMITA NI EXCLUYE SITUACIONES O RECLAMACIONES EN LAS QUE WEBER TENGA UNA RESPONSABILIDAD OBLIGATORIA SEGÚN ESTABLEZCA LA LEY.

NINGUNA GARANTÍA SE APLICARÁ DESPUÉS DEL PERÍODO APLICABLE DE ESTA GARANTÍA. NINGUNA OTRA GARANTÍA OTORGADA POR OTRA PERSONA O ENTIDAD, INCLUYENDO EL DISTRIBUIDOR O EL VENDEDOR MINORISTA, EN RELACIÓN AL PRODUCTO (COMO CUALQUIER "GARANTÍA EXTENDIDA") VINCULARÁ A WEBER. LA SOLUCIÓN EXCLUSIVA DE ESTA GARANTÍA ES LA REPARACIÓN O SUSTITUCIÓN DE LA PIEZA O EL PRODUCTO.

EN NINGÚN CASO EL REINTEGRO DE ESTA GARANTÍA VOLUNTARIA SERÁ MAYOR QUE EL PRECIO DE COMPRA DEL PRODUCTO WEBER VENDIDO.

USTED ASUME EL RIESGO Y RESPONSABILIDAD POR LAS PÉRDIDAS, DAÑOS O ACCIDENTES QUE LE OCURRAN A USTED O A SU PROPIEDAD Y/O A LOS DEMÁS O A SU PROPIEDAD COMO CONSECUENCIA DEL USO INDEBIDO O ABUSO DEL PRODUCTO O DE NO SEGUIR LAS INSTRUCCIONES SUMINISTRADAS POR WEBER EN LA GUÍA DEL PROPIETARIO QUE LO ACOMPAÑA.

LAS PIEZAS Y ACCESORIOS QUE SE SUSTITUYAN A TENOR DE LOS DISPUESTO EN ESTA GARANTÍA SOLO ESTÁN GARANTIZADOS DURANTE EL PERÍODO(S) RESTANTE(S) DE LA GARANTÍA ORIGINAL.

ESTA GARANTÍA SOLO SE APLICA A USO EN APARTAMENTOS O RESIDENCIAS UNIFAMILIARES PRIVADAS Y NO SE APLICA A BARBACOAS WEBER UTILIZADAS EN ENTORNOS COMERCIALES O COMUNALES TALES COMO RESTAURANTES, HOTELES, CENTROS TURÍSTICOS O PROPIEDADES DE ALQUILER.

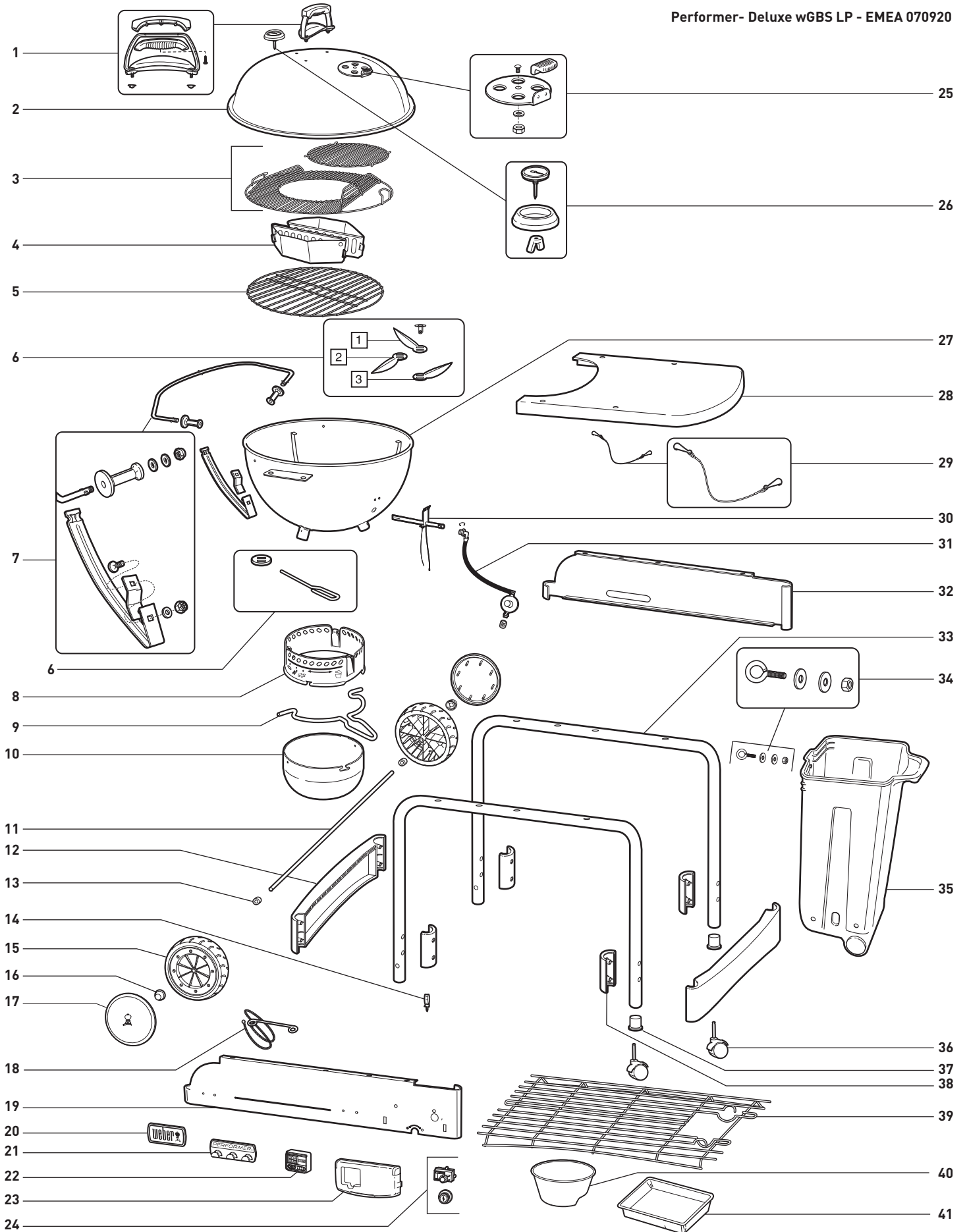
WEBER PODRÁ CAMBIAR DE VEZ EN CUANDO EL DISEÑO DE SUS PRODUCTOS. NADA DE LO DISPUESTO EN ESTA GARANTÍA SE INTERPRETARÁ COMO UNA OBLIGACIÓN POR PARTE DE WEBER PARA INCORPORAR DICHS CAMBIOS DE DISEÑO EN PRODUCTOS FABRICADOS CON ANTERIORIDAD, TALES CAMBIOS TAMPOCO SE INTERPRETARÁN COMO UNA ACEPTACIÓN DE QUE LOS DISEÑOS ANTERIORES ERAN DEFECTUOSOS.

SUSTITUCIÓN DE TUBO FLEXIBLE, REGULADOR Y VÁLVULA

⚠ AVISO IMPORTANTE: Recomendamos sustituir el tubo de conducción de gas en su barbacoa Weber cada 5 años. Algunos países pueden tener normativas en las que se tenga que sustituir el tubo de conducción de gas antes de los 5 años; por lo tanto este requisito tiene prioridad.

Para el recambio de válvula, regulador y tubo flexible, contacte con el Servicio de Atención al Cliente de su zona mediante nuestra página web en el apartado información de contacto. Consulte www.weber.com.

PAÍS	TIPO DE GAS Y PRESIÓN	
Dinamarca, Suecia, Noruega, Finlandia, Inglaterra, Países Bajos, Reino Unido, Francia, España, Portugal, Bélgica, Irlanda, Grecia, Luxemburgo, Italia, Alemania, Austria	I _{38/P} - 29 mbar	
DATOS DE CONSUMO		
Quemador de encendido (máx.)		
Mezcla de propano y butano	kW	g/h
	2,6	192



- | | | |
|------------------------------------------------------------------|----------------------------------------------|---------------------------------------------------------|
| 1. Conjunto del asa de la tapa | 15. Rueda | 29. Cadena de retención de CHARBIN |
| 2. Tapa | 16. Capuchón del cubo | 30. Conjunto del quemador |
| 3. Parrilla de cocción GBS | 17. Tapa de la rueda | 31. Manguera y regulador con orificio y clip |
| 4. CHAR-BASKETS | 18. Soporte para cerillas | 32. Panel trasero |
| 5. Parrilla para carbón | 19. Panel frontal | 33. Estructura de la pata |
| 6. Sistema de limpieza ONE-TOUCH | 20. Placa con logotipo | 34. Tornillería del CHARBIN |
| 7. Conjunto de soporte inferior y soporte para la tapa TUCK-AWAY | 21. Soporte de utensilios | 35. CHARBIN |
| 8. Anillo del colector de cenizas | 22. Temporizador digital | 36. Rueda pivotante con bloqueo |
| 9. Asa del colector de cenizas | 23. Tapa del control del gas | 37. Inserto de la rueda pivotante |
| 10. Colector de cenizas de alta capacidad | 24. Botón del ignitor/Módulo del ignitor | 38. Pinza de la brazadera para la estructura de la pata |
| 11. Eje | 25. Conjunto de regulador de tiro de la tapa | 39. Rejilla inferior |
| 12. Abrazadera para la estructura de la pata | 26. Conjunto del termómetro | 40. Taza para carbón |
| 13. Espaciador para la rueda | 27. Bol | 41. Bandeja para goteos desechable |
| 14. Anclaje del cable del ignitor | 28. Mesa | |

Si tiene preguntas o necesita consejos con respecto a la parrilla o su funcionamiento seguro, inicie sesión en www.weber.com.

- Estas instrucciones indican los requisitos mínimos para montar la barbacoa WEBER. Lea las instrucciones detenidamente antes de usar la barbacoa WEBER. Un montaje mal hecho puede ser peligroso.
- No es para uso por parte de los niños.
- Esta barbacoa WEBER está diseñada para usar únicamente con gas propano o una mezcla de gas butano/propano. No la use con gas natural. La válvula y el regulador son para su uso únicamente con gas propano o una mezcla de gas propano/butano.
- Esta barbacoa WEBER no está indicada para un uso comercial.
- El uso de alcohol y/o fármacos con o sin receta puede alterar la capacidad del consumidor para montar o usar la parrilla de forma segura.
- Esta barbacoa WEBER no está diseñada para usarse como estufa y no debería usarse para eso.

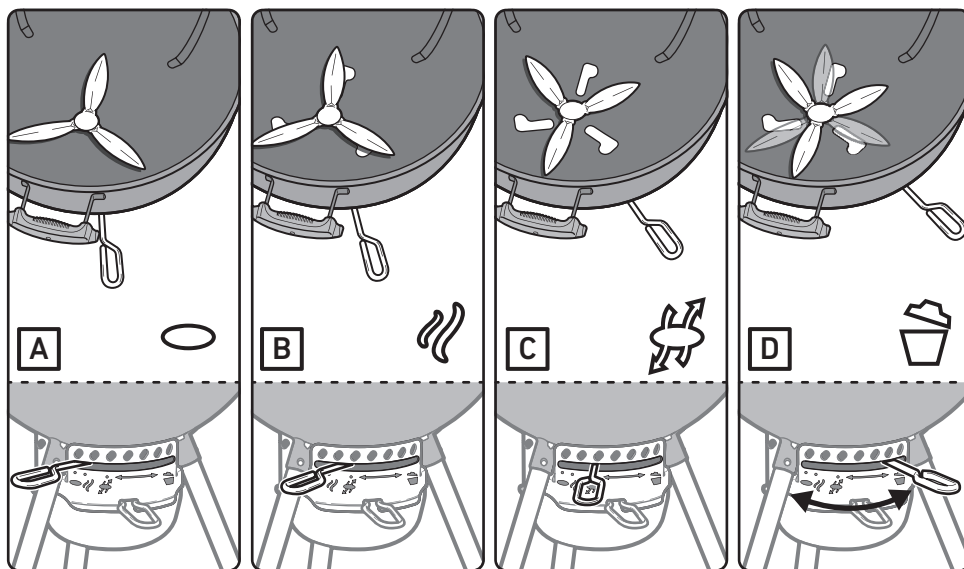
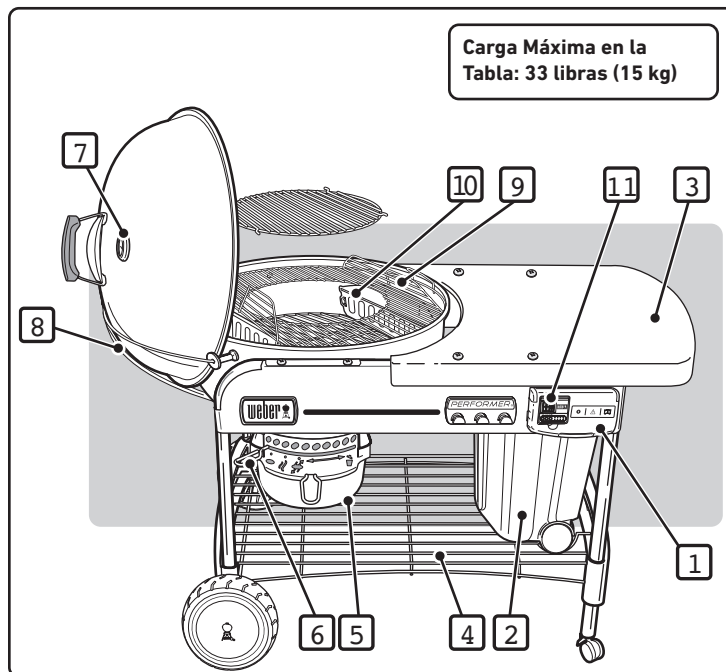
CARACTERÍSTICAS

- A) El exclusivo sistema de encendido de gas TOUCH-N-GO acaba con la dificultad de encender las briquetas de carbón (1). Solo tiene que pulsar y mantener pulsado el botón que enciende el quemador de gas del sistema, que a su vez encenderá el carbón por usted. Ya no tendrá que usar o guardar los peligrosos líquidos de encendido, y se acabó el sabor de líquido de encendido en los alimentos.
- B) El depósito de almacenamiento CHARBIN tiene capacidad para un saco de carbón con un peso máximo de 13,7 kg (2). El saco de carbón debería colocarse directamente en el depósito de almacenamiento CHARBIN.
- C) La superficie de metal es una zona excelente para trabajar y cubre el depósito de almacenamiento CHARBIN para mantener las briquetas secas (3).
- D) Cómoda rejilla de almacenamiento en la parte inferior (4).
- E) El colector de cenizas de alta capacidad encaja en su sitio, evitando que se vuelen (5).
- F) El sistema de limpieza ONE-TOUCH barre las cenizas con facilidad, o abre y cierra los agujeros de ventilación (6).
- G) El termómetro controla la temperatura de asado dentro de la parrilla (7).
- H) La tapa TUCK-AWAY se desliza hacia atrás en el soporte de acero inoxidable y protege del viento mientras se encienden las briquetas (8).
- I) En la parrilla de cocción con bisagra GOURMET BBQ SYSTEM (GBS) (9), las solapas con bisagra de la parrilla se abren para añadir fácilmente briquetas o trozos de madera durante el asado. Incluye un inserto para uso diario. Compatible con la gama completa de accesorios GOURMET BBQ SYSTEM.
- J) Los soportes para combustible de carbón CHAR-BASKET aportan flexibilidad para concentrar el calor de asado directa o indirectamente ya sea con madera o con carbón (10).
- K) Termómetro digital (11).

- No deje la barbacoa WEBER desatendida. Mantenga a niños y animales domésticos alejados de la barbacoa WEBER en todo momento.
- Ninguna pieza sellada por el fabricante debe ser alterada por el usuario.
- Cualquier modificación en la parrilla puede ser peligrosa.
- Desconecte el cilindro si: 1) está vacío; 2) la parrilla se va a guardar en un garaje u otra zona cerrada; 3) se va a trasladar la parrilla.

⚠ **No mueva la parrilla mientras esté en uso. Deje que la parrilla se enfríe antes de moverla.**

⚠ **La parrilla no está diseñada para usarse como estufa y no debería usarse para eso.**



ES A: Orificios de ventilación cerrados B: Low n' Slow C: Orificios de ventilación abiertos D: Vaciado de cenizas

⚠ **ADVERTENCIA: Compruebe siempre el cenicero antes de encender el carbón usando líquido de encendido. Puede haberse acumulado líquido en el cenicero e inflamarse, provocando un incendio bajo la cuba. Limpie el líquido de encendido acumulado en el cenicero antes de encender el carbón.**

CONECTAR EL CARTUCHO DESECHABLE DE BAJA PRESIÓN

Utilice cartuchos desechables de baja presión con una capacidad mínima de 430 g y una capacidad máxima de 460 g. Tal como se muestra en la ilustración, el cartucho debe tener una válvula EN417. Por ejemplo, puede utilizar un cartucho desechable de gas Primus modelo 2202 o WEBER Q.

⚠ PRECAUCIÓN: Utilice bombonas con la marca correspondiente a gas propano o la mezcla de propano y butano.

Empuje el cartucho desechable de baja presión dentro del regulador y gírelo en el sentido de las agujas del reloj hasta que quede bien fijado.

⚠ ADVERTENCIA: Apriételo sólo con la mano. Aplicar una fuerza excesiva podría dañar el acoplamiento del regulador y provocar escapes o hacer que el gas no fluya.

COMPRUEBE QUE NO HAYA ESCAPES DE GAS:

⚠ PELIGRO

No utilice una llama abierta para comprobar si hay escapes de gas. Asegúrese de que no haya chispas o llamas abiertas en el área mientras está comprobando si hay escapes. Las chispas y las llamas provocarían incendios o explosiones que pueden causar graves daños personales y materiales, e incluso víctimas mortales.

Deberá tener: un cartucho desechable de baja presión, una solución de agua y jabón y un trapo o cepillo para aplicarla.

- A) Mezcle el agua y el jabón.
- B) Encienda el control del gas girándolo en el sentido contrario a las agujas del reloj.
- C) Compruebe que no haya escapes mojando el accesorio con la solución de agua y jabón y observando si hay pompas. Si se forman burbujas, o si crece una pompa, hay un escape.

COMPRUEBE:

- A) La conexión entre el regulador y el cartucho desechable de baja presión.

⚠ ADVERTENCIA: Si hay un escape en la conexión (1), retire el cartucho desechable de baja presión. No ponga en funcionamiento la barbacoa. Utilice un cartucho desechable de baja presión distinto y compruebe de nuevo si hay escapes con la solución de agua y jabón. Si el escape persiste después de volver a ajustar el cartucho de baja presión, apague el gas. NO UTILICE LA BARBACOA. Póngase en contacto con el representante del servicio de atención al cliente de su zona mediante la información de contacto de nuestro sitio web. Visite www.weber.com.

COMPRUEBE:

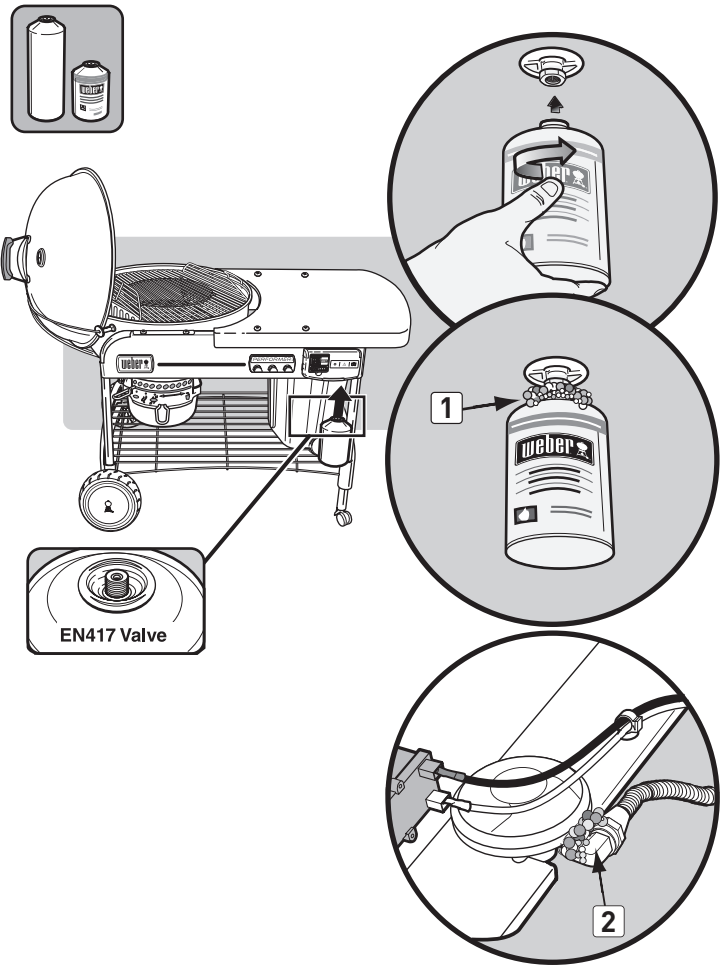
- B) Las conexiones entre la válvula y el regulador.

⚠ ADVERTENCIA: Si hay un escape en la conexión (2), apague el gas. NO PONGA EN FUNCIONAMIENTO LA BARBACOA. Póngase en contacto con el representante del servicio de atención al cliente de su zona mediante la información de contacto de nuestro sitio web. Visite www.weber.com.

Una vez finalizadas las comprobaciones de escapes, apague el suministro de gas en su origen y lave las conexiones con agua.

⚠ PELIGRO

No almacene cartuchos de baja presión de repuesto debajo o cerca de este aparato.



ENCENDIDO

⚠ PELIGRO

Abra la tapa antes de encender la barbacoa. No utilice nunca líquidos inflamables como líquido de encendido, gasolina, alcohol o cualquier tipo de carbón vegetal autoinflamable, incluso cuando encienda la barbacoa manualmente. En caso contrario, podrían producirse graves daños personales o incluso víctimas mortales.

- A) Retire la tapa de la barbacoa antes de encender el gas.
- ⚠ PELIGRO: No seguir esta advertencia puede causar daños en el tubo flexible y ocasionar incendios o explosiones que pueden provocar graves daños personales y materiales, e incluso víctimas mortales.**
- B) Abra los reguladores de tiro inferiores del recipiente (1).
- C) Coloque las CHAR-BASKETS sobre el quemador (2).
- D) Presione las lengüetas de la tapa de control del gas (3) y levántela para abrirla.
- E) Abra el suministro de gas dando como mínimo una vuelta completa en el sentido contrario a las agujas del reloj (4).
- ⚠ ADVERTENCIA: No se incline sobre la barbacoa cuando la abra para encenderla.**
- F) Pulse y mantenga pulsado el botón del encendedor hasta que el quemador se encienda (5).
- ⚠ PRECAUCIÓN: Es posible que la llama no se vea bien en un día claro.**
- G) Después de que se haya encendido el carbón (pasados unos 5 minutos), gire el mando de control del gas en la posición OFF (apagado) (derecha) hasta que se cierre.

⚠ PRECAUCIÓN: Asegúrese de que la tapa esté totalmente cerrada.

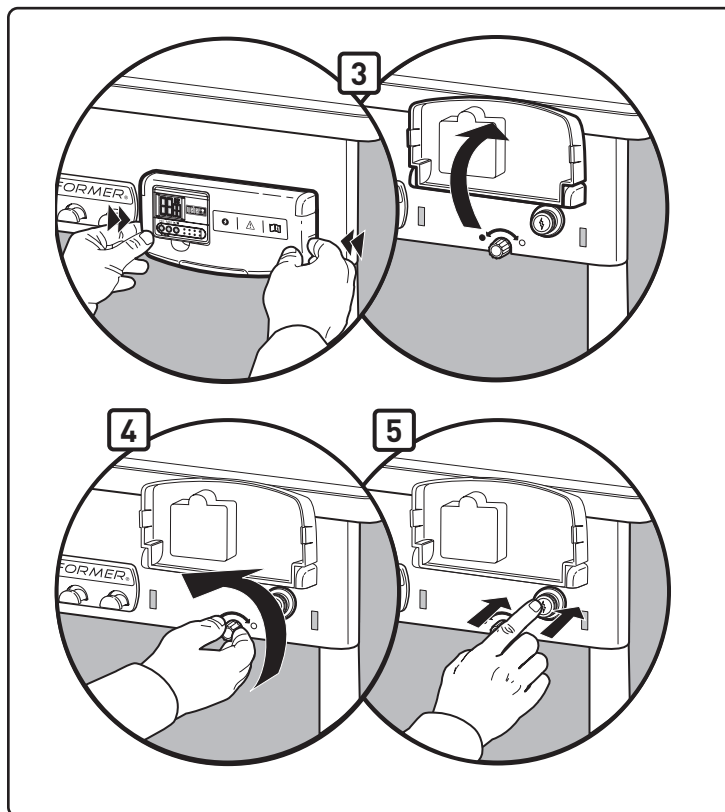
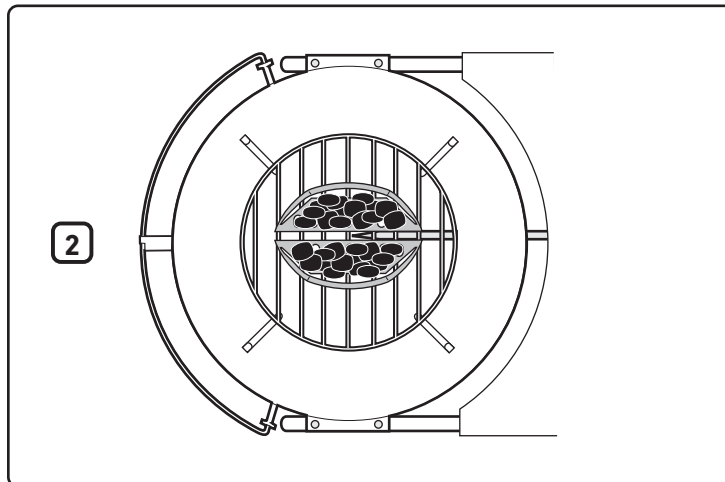
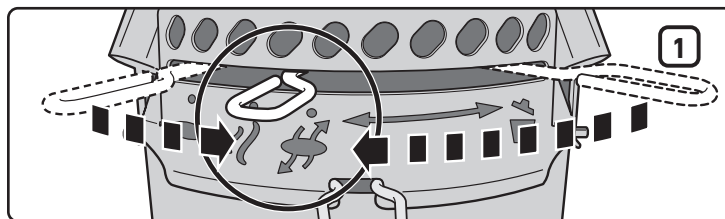
Nota: El uso prolongado de la bombona reduce su vida útil.

- H) Puede comenzar a cocinar una vez que las briquetas tengan una ligera capa de ceniza gris (pasados unos 25-30 minutos).

PARA APAGAR

Gire el mando de control de gas en la posición OFF (apagado) (izquierda) hasta que se cierre.

⚠ Use manoplas o guantes de barbacoa (con nivel 2 o superior de resistencia al calor por contacto según la norma EN 407), y emplee pinzas para mover las cestas CHAR-BASKET sobre el quemador.



ENCENDIDO MANUAL

⚠ **ADVERTENCIA:** No intente encender manualmente la barbacoa sin usar el soporte para cerillas.

⚠ **PELIGRO**

Abra la tapa antes de encender la barbacoa. No utilice nunca líquidos inflamables como líquido de encendido, gasolina, alcohol o cualquier tipo de carbón vegetal autoinflamable, incluso cuando encienda la barbacoa manualmente. En caso contrario, podrían producirse graves daños personales o incluso víctimas mortales.

A) Retire la tapa de la barbacoa antes de encender el gas.

⚠ **PELIGRO:** No seguir esta advertencia puede causar daños en el tubo flexible y ocasionar incendios o explosiones que pueden provocar graves daños personales y materiales, e incluso víctimas mortales.

- B) Abra los reguladores de tiro inferiores del recipiente (1).
- C) Saque las CHAR-BASKETS del quemador (2).
- D) Presione las lengüetas de la tapa de control del gas (3) y levántela para abrirla.
- E) Coloque una cerilla en el soporte para cerillas. Encienda la cerilla.
- F) Abra el suministro de gas dando como mínimo una vuelta completa en el sentido contrario a las agujas del reloj (4).
- G) Coloque la llama de la cerilla en la parte posterior de la ranura del quemador (5).

⚠ **ADVERTENCIA:** No ponga la mano directamente encima del quemador durante el encendido manual.

⚠ **ADVERTENCIA:** No se incline sobre la barbacoa cuando la abra para encenderla.

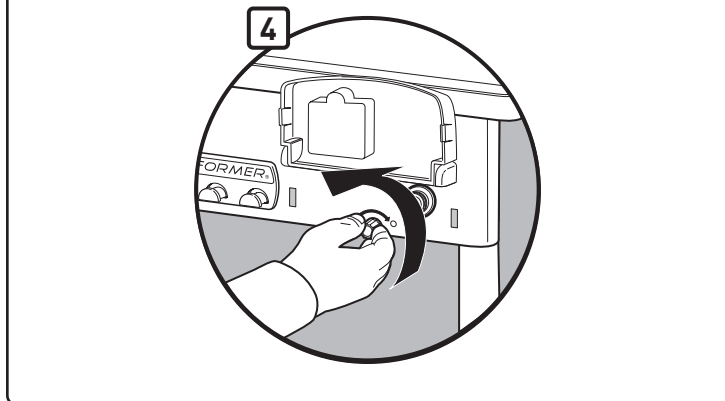
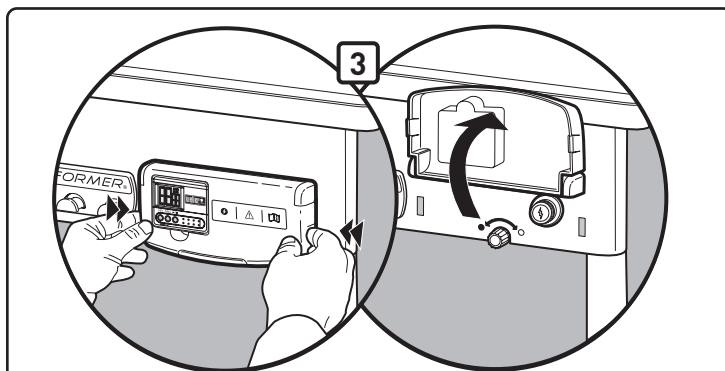
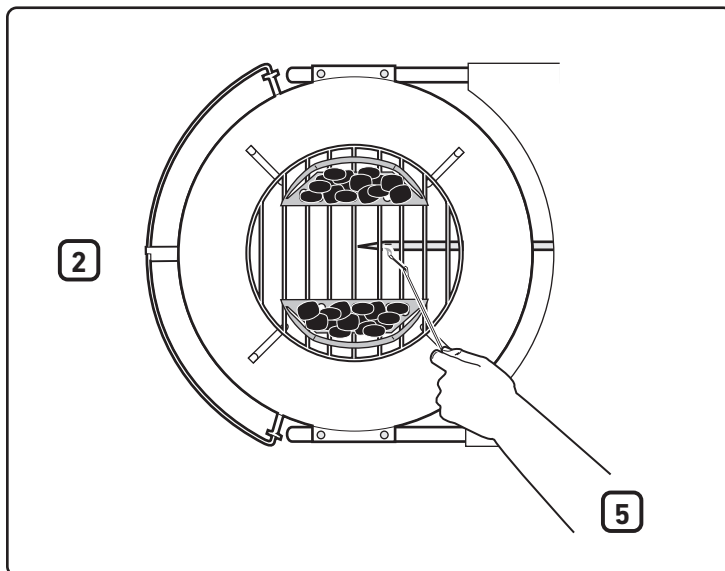
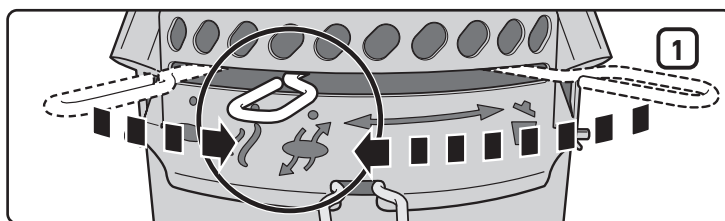
⚠ **PRECAUCIÓN:** Es posible que la llama no se vea bien en un día claro.

- H) Póngase manoplas específicas para barbacoas y utilice unas tenazas para recolocar las CHAR-BASKETS sobre el quemador.
- I) Después de que se haya encendido el carbón (pasados unos 5 minutos), gire el control del gas (en el sentido de las agujas del reloj) hasta cerrarlo.
- J) Puede comenzar a cocinar una vez que las briquetas tengan una ligera capa de ceniza gris (pasados unos 25-30 minutos).

PARA APAGAR

Gire el mando de control en la posición OFF (apagado) (derecha) hasta cerrarlo.

⚠ **Use manoplas o guantes de barbacoa (con nivel 2 o superior de resistencia al calor por contacto según la norma EN 407), y emplee pinzas para mover las cestas CHAR-BASKET sobre el quemador.**



FUNCIONAMIENTO DEL TEMPORIZADOR

Este temporizador digital resistente al agua se puede utilizar como temporizador de cuenta atrás o ascendente en horas, minutos y segundos.

Para configurar el temporizador de cuenta atrás:

- Pulse el botón **Start / Stop** (Comenzar/Apagar): ► / ■ para encender la luz de fondo.
- Pulse el botón **HR (1)** para configurar el número de horas. Mantenga el botón pulsado para un avance rápido de los dígitos (configuración máxima: 99 horas) (4).
- Pulse el botón **MIN (2)** para configurar los minutos. Mantenga el botón pulsado para un avance rápido de los dígitos (configuración máxima: 59 minutos) (5).
- Cuando esté configurado el tiempo, pulse el botón **Start / Stop** (Comenzar/Apagar): ► / ■ (3) para iniciar la cuenta atrás.
- Cuando haya terminado el tiempo, sonará la alarma durante 30 segundos y se reiniciará la cuenta atrás automáticamente desde la configuración de tiempo anterior.

IMPORTANTE

Cuando quede más de una hora en la cuenta atrás del temporizador, H y M (horas y minutos) parpadearán; los números bajarán cada minuto. Cuando quede menos de una hora en la cuenta atrás del temporizador, H y M se convertirá en M y S (minutos y segundos) la cuenta atrás de segundos; los números bajarán cada segundo.

Para borrar la hora:

- Pulse el botón **Start / Stop** (Comenzar/Apagar): ► / ■ para encender la luz de fondo.
- Pulse los botones **HR** y **MIN**: ⌚ simultáneamente (1)(2).

Para configurar la cuenta ascendente:

- Pulse el botón **Start / Stop** (Comenzar/Apagar): ► / ■ para encender la luz de fondo.
- Pulse el botón **Start / Stop** (Comenzar/Apagar): ► / ■ de nuevo para iniciar la cuenta ascendente. Mientras se realiza la cuenta ascendente, la pantalla mostrará la lectura en formatos de hora/minutos y minutos/segundos.
- Pulse el botón **Start / Stop** (Comenzar/Apagar): ► / ■ dos veces para detener el temporizador. La cuenta ascendente se detiene después de 99 horas (4), 59 minutos (5).

Apagado automático:

- Para ahorrar pilas, la luz de fondo se apaga después de 10 segundos. El temporizador se apagará completamente después de 10 minutos de inactividad.

Nota: Si usa el temporizador en un entorno sujeto a descargas electrostáticas (electricidad estática) puede perderse la configuración del temporizador. Si así sucede, reconfigure el temporizador.

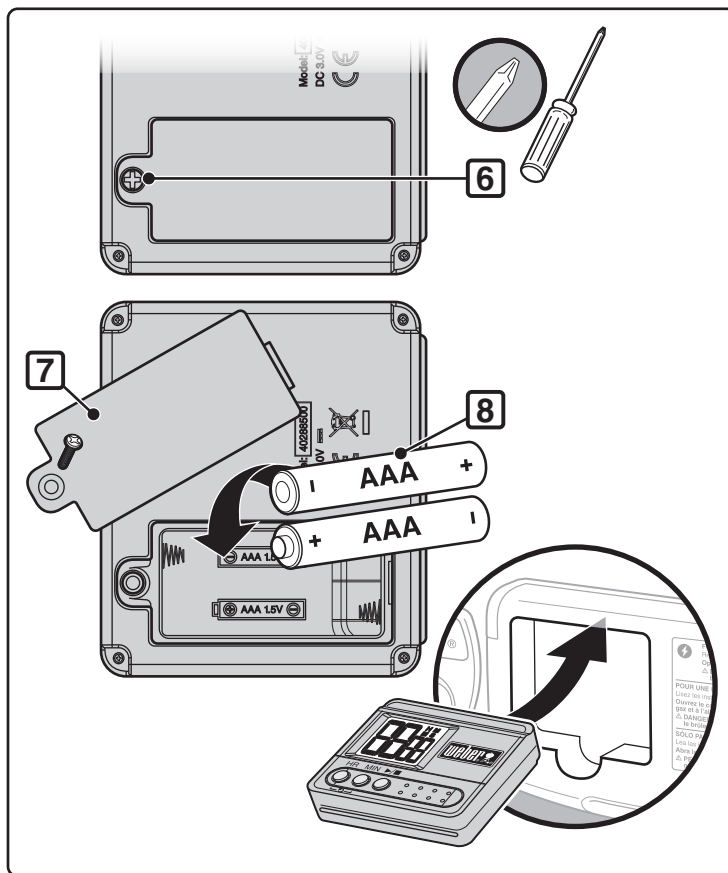
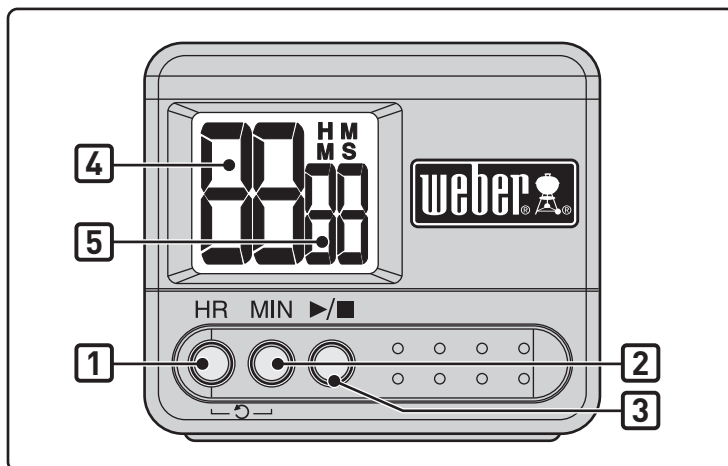
Instalación de las pilas:

- Use un destornillador con punta de estrella para abrir el compartimento de las pilas en la parte posterior del temporizador (6), girando el tornillo en el sentido de las agujas del reloj.
- Retire la tapa de las pilas de la parte posterior del temporizador (7).
- Ponga o cambie las pilas AAA (8).
- Vuelva a colocar la tapa de las pilas.
- Cierre la tapa de las pilas girando el tornillo en sentido contrario a las agujas del reloj con un destornillador de punta de estrella.
- Una vez instaladas las pilas, aparecerá (0000) en la pantalla de LCD.

Mantenimiento:

- No limpie el temporizador con un compuesto abrasivo ni corrosivo. Hacerlo podría rayarlo o corroer los circuitos electrónicos.
- No someta al temporizador a fuerza, golpes ni polvo excesivos, ni lo exponga a temperaturas o humedad excesivas. Hacerlo podría provocar fallos de funcionamiento, una vida útil más corta, que se deterioren las pilas o se deformen las piezas.
- No altere los componentes internos del temporizador. Hacerlo podría invalidar la garantía del temporizador y deteriorar innecesariamente las pilas y las piezas internas.
- No someta al temporizador de forma excesiva a la luz solar directa o a lluvias torrenciales.
- No sumerja el temporizador en agua.

Para un mejor rendimiento, se recomienda guardar el temporizador en interiores cuando no esté en uso.



PROBLEMA	COMPROBACIÓN	REMEDIO
El quemador arde con una llama amarilla o naranja y despiden olor a gas.	Inspeccione el quemador por si hubiera obstrucciones.	Limpie el quemador. (Consulte la sección "Mantenimiento".)
El quemador no se enciende o la llama es pequeña.	¿Queda poco o nada de combustible de baja presión?	Cambie la bombona de baja presión.
	¿El tubo flexible del combustible está doblado o enroscado?	Enderece el tubo flexible del combustible.
	¿El quemador se enciende con una cerilla?	Si puede encender el quemador con una cerilla, compruebe el sistema de encendido.
	¿La conexión entre el tubo flexible y el quemador es lo suficientemente firme?	Conecte el tubo flexible del gas al tubo del quemador mediante la pinza de retención metálica proporcionada. ⚠ PELIGRO: No utilice la función de encendido de gas si falta la pinza de retención. La ausencia de la pinza de retención puede provocar graves daños personales y materiales, e incluso víctimas mortales. Póngase en contacto con el servicio de atención al cliente para obtener otra pinza de retención.
El patrón de la llama del quemador es errático.	¿El quemador está limpio?	Limpie el quemador. (Consulte la sección "Mantenimiento".)
El quemador no se enciende cuando pulsa el botón de encendido.	Asegúrese de que exista flujo de gas a los quemadores cuando intente encenderlos con una cerilla. Consulte "ENCENDIDO MANUAL."	Si consigue encenderlo con una cerilla, el problema está en el sistema de encendido. Consulte "FUNCIONAMIENTO DEL SISTEMA DE ENCENDIDO ELECTRÓNICO."
	¿La pila instalada está cargada?	Verifique que la pila esté en buen estado e instalada correctamente. Consulte "INSPECCIÓN DEL ENCENDEDOR ELECTRÓNICO."
	¿Están los cables correctamente conectados al módulo de encendido?	Asegúrese de que todos los cables estén correctamente insertados en los terminales de la caja de encendido. Consulte "FUNCIONAMIENTO DEL SISTEMA DE ENCENDIDO ELECTRÓNICO."
	¿Hay un envoltorio plástico alrededor de la nueva pila?	Quite el envoltorio plástico.
El temporizador no funciona.	¿Hay pilas nuevas instaladas?	Compruebe que las pilas estén en buen estado e instaladas correctamente. Consulte "FUNCIONAMIENTO DEL TEMPORIZADOR".
El interior de la tapa parece que se está pelando. (Parece que la pintura se despega.)	Lo que ve es grasa recocida que se ha convertido en carbón y se está pelando. NO SE TRATA DE UN DEFECTO.	Límpiala cuidadosamente. (Consulte la sección "Limpieza".)
Si no puede resolver los problemas con estos métodos, póngase en contacto con el representante del servicio de atención al cliente de su zona mediante la información de contacto de nuestro sitio web. Visite www.weber.com.		

MANTENIMIENTO

Tras un periodo en el que no se haya utilizado la barbacoa, se recomienda llevar a cabo los siguientes procedimientos de mantenimiento para su seguridad.

- Compruebe el tubo flexible antes de cada uso de la barbacoa por si hubiera fisuras, grietas, abrasiones o cortes. Si el tubo flexible está inservible, no utilice la barbacoa. Sustitúyalo sólo con piezas de repuesto autorizadas por WEBER. **Póngase en contacto con el representante del servicio de atención al cliente de su zona mediante la información de contacto de nuestro sitio web. Visite www.weber.com.**

⚠ PRECAUCIÓN: Si el tubo flexible de la barbacoa está dañado o presenta escapes, no utilice la barbacoa.

- Asegúrese de que el quemador tenga el patrón de llama correcto (consulte la sección "Patrón de llama del quemador"). Límpielo, si es necesario, según los procedimientos descritos en esta sección.
- Compruebe que no haya escapes en ninguna de las conexiones de gas (consulte la sección "Comprobar que no haya escapes de gas").

LIMPIEZA PERIÓDICA

Para retirar las cenizas del recipiente, mueva la varilla de control (1) de un lado a otro para que las paletas del regulador de tiro barran las cenizas hacia las rejillas de ventilación del recipiente y hacia dentro del recogedor de cenizas.

⚠ PRECAUCIÓN: Asegúrese de que el quemador está apagado y la barbacoa fría antes de proceder a la limpieza.

No amplíe las ranuras del quemador para limpiarlo.

Para limpiar el quemador:

- Cepille el exterior del tubo del quemador (2) y la sección de las ranuras del quemador (3) con un cepillo de alambre.

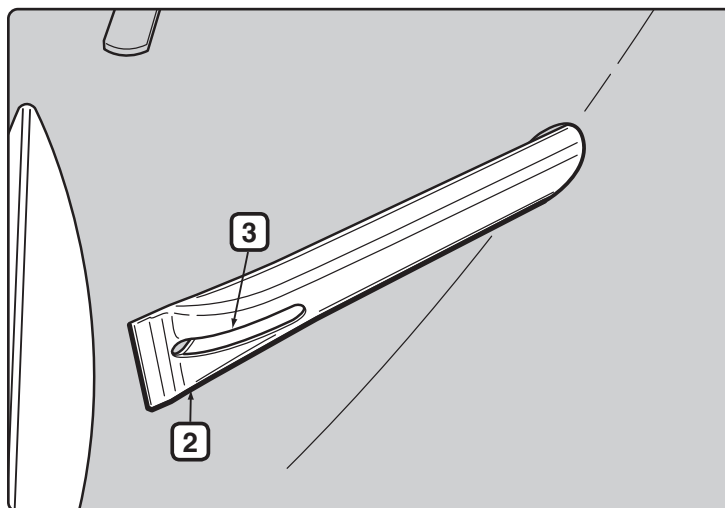
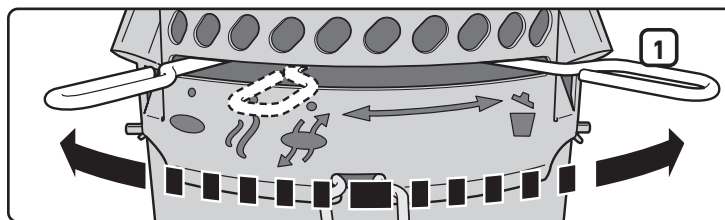
⚠ PRECAUCIÓN: No amplíe las ranuras del quemador o el orificio del gas cuando los limpie.

Para limpiar la olla:

- Mientras la tapa esté caliente, limpie el interior con una toalla de papel para evitar que se acumule la grasa.
- Para las superficies exteriores, utilice una solución de agua jabonosa y aclare bien con agua limpia.

Para una limpieza más profunda (que se debe realizar al menos una vez al año):

- Retire las cenizas una vez se hayan apagado totalmente las brasas de carbón.
- Extraiga las parrillas y las cestas CHAR-BASKET.
- Limpie con servilletas de papel o papel de cocina. Lave con agua y un producto de limpieza suave. Aclare bien con agua limpia y seque con un paño.



ALMACENAMIENTO

- Cuando la barbacoa Performer se almacene en el interior de un edificio o un garaje, se debe desconectar el suministro de gas y la bombona de baja presión se debe guardar en el exterior, en un espacio bien ventilado.
- Las bombonas de baja presión se deben almacenar en el exterior, en un área bien ventilada y fuera del alcance de los niños, y no dentro de un edificio, garaje ni en ninguna otra área cerrada.
- Después de un periodo de almacenamiento o de no haberla utilizado, se debe comprobar que no haya escapes de gas en la barbacoa ni obstrucciones en el tubo del quemador antes de utilizarla (consulte la sección "Mantenimiento").
- Antes de usar la barbacoa, compruebe que las áreas alrededor del conjunto que forman la bombona, el tubo flexible y el quemador están libres de desechos que puedan obstruir el paso del gas o del aire.

AVISO DE INSECTOS

Su barbacoa Performer, como cualquier otro aparato a gas que se use al aire libre, es un objetivo potencial para arañas y otros insectos. Pueden anidar en la sección de venturi (1) del tubo del quemador, lo que provoca que el gas fluya en sentido contrario, saliendo al exterior por la compuerta de aire.

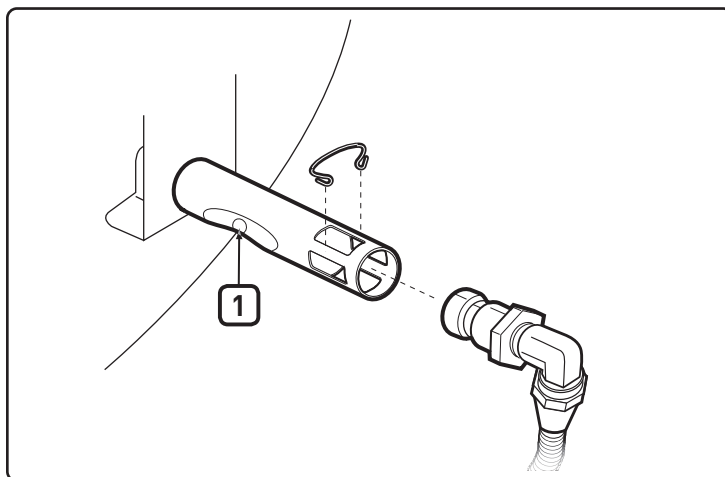
Esto puede provocar que se incendie el tubo del quemador y sus alrededores, la zona que hay debajo el panel del recipiente. El fuego podría dañar seriamente la barbacoa y hacer que resultase peligrosa de utilizar.

Le recomendamos con firmeza que inspeccione y limpie el tubo del quemador al menos una vez al año o si se detecta uno de los siguientes síntomas:

- A) Olor a gas junto con la aparición de llamas amarillentas y lentas en el quemador.
- B) El quemador emite ruidos parecidos a pequeños estallidos.

⚠ PELIGRO

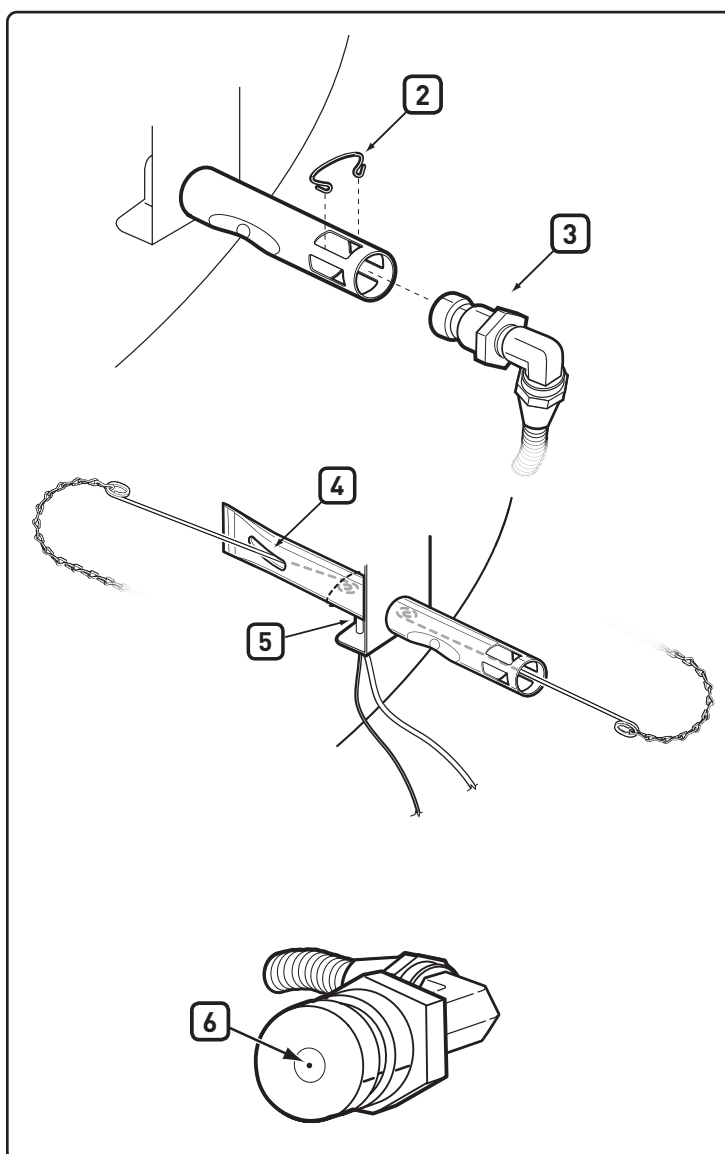
Si no se corrigen estos síntomas, se puede producir un incendio que puede causar graves daños personales o materiales, e incluso víctimas mortales.

**INSPECCIÓN Y LIMPIEZA DEL QUEMADOR**

- A) Apague el gas.
- B) Retire el contenedor de almacenamiento CHARBIN.
- C) Extraiga la pinza del orificio (2) y el accesorio del tubo flexible (3) del tubo del quemador.
- D) Mire dentro de cada quemador con un linterna.
- E) Limpie el interior de los quemadores empleando el soporte para cerillas de alambre (sujeto tras la placa con el logotipo de WEBER). Utilice el alambre para limpiar el área de la compuerta de aire, la sección venturi y las ranuras del quemador (4) en el interior del recipiente. Tenga cuidado al introducir la herramienta de limpieza del quemador para no dañar el electrodo del encendedor (5).
- F) Vuelva a comprobar los quemadores con la linterna para ver si no hay más obstrucciones.
- G) Si fuese necesario, se puede limpiar la superficie del accesorio del tubo flexible con un cepillo de alambre. El orificio (6) se puede limpiar con una pequeña clavija.

⚠ PRECAUCIÓN: No amplíe el orificio para limpiarlo.

- H) Vuelva a montar la barbacoa haciendo lo contrario de lo indicado en los pasos B y C.



LIMPIEZA RÁPIDA PERIÓDICA

Le recomendamos que limpie periódicamente el exterior de las ranuras del quemador con un cepillo de alambre y que limpie el tubo del quemador hasta la rejilla de ventilación de combustión con el soporte para cerillas que se le ha entregado con la barbacoa.

Esto se puede hacer localizando los respiraderos de combustión del quemador (1), situado debajo del soporte del recipiente, e introduciendo la herramienta por cada respiradero mientras se gira la herramienta. Tenga cuidado al introducir el soporte para cerillas para no dañar el electrodo de encendido.

⚠ PRECAUCIÓN: Es importante aumentar la frecuencia de este procedimiento de limpieza durante los meses de primavera y verano.

INSPECCIÓN DEL SISTEMA DE ENCENDIDO ELECTRÓNICO

Si el sistema de encendido electrónico no se enciende, asegúrese de que fluye gas encendiendo los quemadores con una cerilla. Consulte "ENCENDIDO MANUAL". Si consigue encenderlo con una cerilla, el problema está en el sistema de encendido electrónico.

⚠ ADVERTENCIA: La válvula de suministro y control del gas debe estar en la posición OFF (apagado).

- Compruebe que la pila AAA (sólo alcalina) está en buen estado e instalada correctamente (1). Algunas pilas cuentan con un envoltorio plástico protector. Este envoltorio plástico debe quitarse. No confunda este plástico con la etiqueta de la pila.
- Compruebe que los cables de encendido blanco (2) y negro (3) están correctamente conectados.
- Compruebe que el botón de encendido electrónico funciona, escuchando y mirando las chispas en el quemador.
- Compruebe si el encendedor está demasiado suelto en el chasis. Apriételo si fuera necesario; consulte el paso "Instalación" para ver el procedimiento correcto.

Sustituya La Pila Si Es Necesario

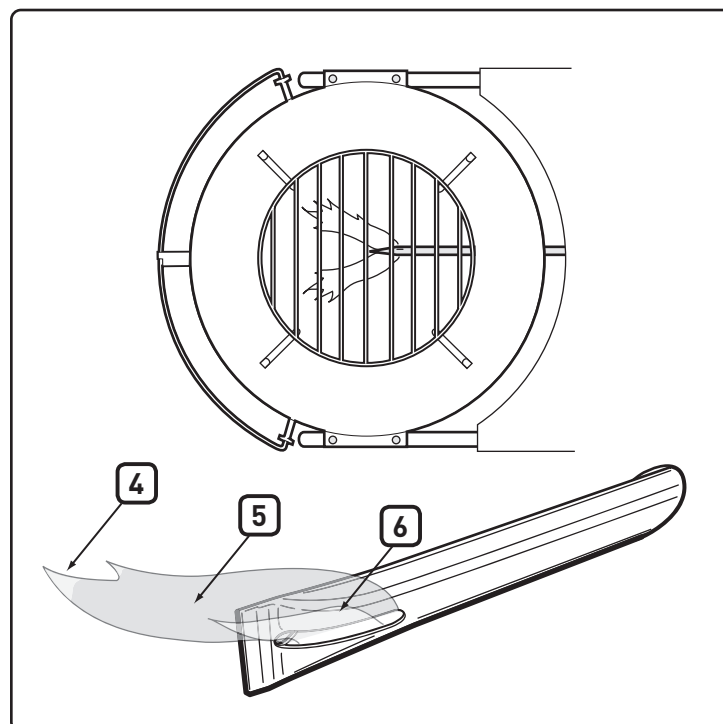
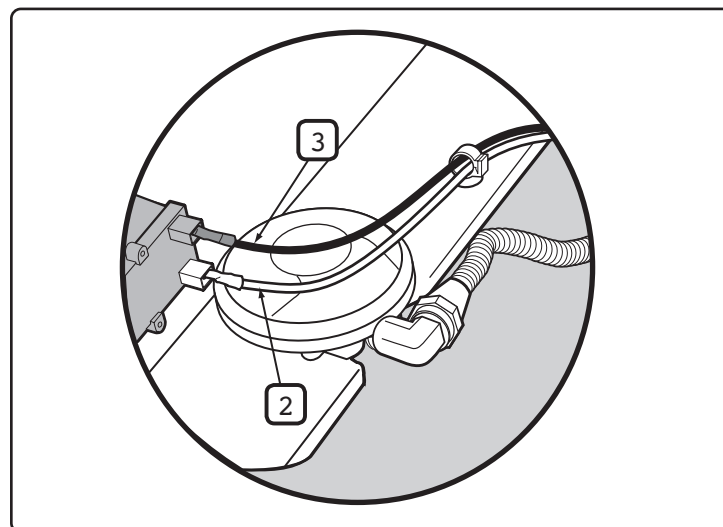
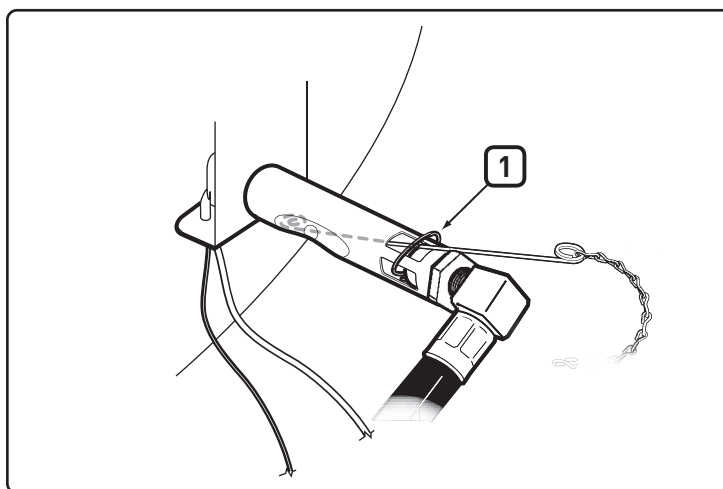
Sólo pilas alcalinas AAA.

Si el sistema de encendido electrónico sigue sin encenderse, póngase en contacto con el representante del servicio de atención al cliente de su zona mediante la información de contacto de nuestro sitio Web. Visite www.weber.com.

PATRÓN DE LLAMA DEL QUEMADOR

El quemador viene configurado de fábrica para realizar una mezcla correcta de aire y

gas. La llama será correcta si tiene puntas amarillentas (4), es de color azul oscuro en el centro (5) y azul claro en el tubo del quemador (6). Si las llamas no tienen este aspecto, o si se producen ruidos de pequeños estallidos, siga los procedimientos de limpieza del quemador.



⚠ ATENCIÓN: Este producto ha pasado pruebas de seguridad y está certificado para su uso en un país específico. Consulte el nombre del país que se encuentra en la caja exterior.

Estas piezas pueden ser componentes que transportan o queman gas. Póngase en contacto con Weber-Stephen Products LLC, Departamento de servicio al cliente, para obtener información sobre piezas de repuesto originales de Weber-Stephen Products LLC.

⚠ ADVERTENCIA: No intente reparar componentes que transportan o queman gas sin ponerse en contacto con Weber-Stephen Products LLC, Departamento de servicio al cliente. Si no sigue las advertencias de este producto, sus acciones pueden provocar incendios o explosiones que pueden producir daños materiales y personales graves o la muerte.




WEBER-STEPHEN PRODUCTS LLC
www.weber.com

PERFORMER DELUXE

Bruksanvisning för brikettgrill

Läs handboken innan du använder grillen.

Montering -  Pg 6

DU MÅSTE LÄSA DENNA HANDBOK INNAN DU ANVÄNDER GASOLGRILLEN

FARA


Om du känner lukt av gasol:

1. Stäng av gasoltillförseln till enheten.
2. Släck öppna eldslågor.
3. Öppna locket.
4. Om lukten kvarstår ska du hålla dig på avstånd från enheten och omedelbart kontakta gasolleverantören eller brandkåren.

Läckande gasol kan leda till brand eller explosion, vilket kan orsaka allvarlig kroppsskada eller dödsfall, eller skada på egendom.

VARNING:

1. Förvara och använd inte bensin eller andra lättantändliga gaser eller vätskor i närheten av denna eller annan enhet.
2. En gasolflaska som inte är ansluten för användning bör inte förvaras i närheten av denna eller annan enhet.

 **VARNING:** Utför noga alla läckagekontroller i denna handbok innan du använder grillen. Detta ska göras även om grillen monterats ihop av återförsäljaren.

 **VARNING:** Tänd inte Weber gasolgrill utan att först ha läst tändningsanvisningarna i denna handbok.

INFORMATION FÖR INSTALLATÖREN:

Denna handbok måste finnas hos ägaren, som ska förvara den för framtida användning.

FÅR BARA ANVÄNDAS UTOMHUS.

SV

UNDERLÅTELSE ATT FÖLJA VARNINGAR OCH FÖRSIKTIGHETSMEDELANDEN I DENNA BRUKSANVISNING KAN LEDA TILL ALLVARLIG KROPPSSKADA ELLER DÖDSFALL, ELLER TILL BRAND ELLER EXPLOSION SOM ORSAKAR SKADA PÅ EGENDOM.

- △ SÄKERHETSSYMBOLER (△) uppmärksammar dig på viktig SÄKERHETSINFORMATION.
- △ Varningsorden FARA, VARNING eller VAR FÖRSIKTIG används tillsammans med SÄKERHETSSYMBOLEN.
- △ FARA identifierar de allvarligaste riskerna.
- △ Läs all säkerhetsinformation i den här handboken innan du använder grillen.

△ FARA

- △ Använd inte grillen under en överliggande brännbar struktur.
- △ Felaktig montering kan vara farligt. Följ monteringsanvisningarna i denna handbok noga. Använd inte grillen om inte alla delar är monterade. Se antingen till att askuppsamlaren är ordentligt fäst vid benen under grillens balja eller att högkapacitets-askuppsamlaren är på plats, innan du tänder grillen.
- △ Brännbara material får aldrig finnas inom 60 cm av grillens omfång.
- △ Luta dig aldrig över grillen när du tänder gaslågan.
- △ Använd inte grillen i hård blåst.
- △ Använd inte grillen om det finns gasolläckor.
- △ Använd inte en eldståga för att kontrollera om det finns gasolläckor.
- △ Om brännarna släcks under användning ska du stänga av gasolventilen. Öppna locket och vänta fem minuter innan du försöker tända gasollågan igen enligt anvisningarna i den här handboken.
- △ Försök inte att koppla ur gasolregulatorn från tanken eller någon gasolanslutning medan grillen används.
- △ Använd endast den LP (flytande propangas) gasolregulator som medföljde din grill.

△ VARNINGAR

- △ Följ anvisningarna för anslutning av regulatorn för din typ av gasolgrill.
- △ Förvara inte en extra eller bortkopplad gasolflaska under eller nära grillen.
- △ Se till att grillen alltid står stadigt på en plan yta utan brännbara material i närheten.
- △ Lägg inte ett grillöverdrag eller något annat brännbart föremål på eller i förvaringsutrymmet under grillen.
- △ Ta alltid av locket innan du tänder gaslågan, antingen manuellt eller med tändaren. Lägg inte PÅ locket förrän grillkolen är helt antända.
- △ Använder riktiga grillverktyg med långa, värmetåliga handtag.
- △ Vissa modeller har en TUCK-AWAY lockhållare. TUCK-AWAY lockhållare används för att förvara locket medan du kontrollerar eller vänder din mat. Använd inte TUCK-AWAY lockhållare som ett handtag för att lyfta eller flytta grillen. Placera inte det heta locket på en matta eller gräsunderlag. Häng inte locket på baljhandtagen.
- △ Hantera och förvara heta elektriska tändare varsamt.
- △ Håll elektriska sladdar och kablar borta från den heta grillens ytor och från högtrafikerade områden.
- △ Efter en period av förvaring och/eller avställning ska du kontrollera om det finns gasolläckor och igentäppta brännare innan du använder grillen. Läs anvisningarna i denna handbok för korrekt förfarande.
- △ Övergång till eller försök att använda naturgas i denna grill är farligt och gör att din garanti blir ogiltig.
- △ En bucklig eller rostig LP gasolflaska kan vara farlig och ska kontrolleras av gasolleverantören. Använd inte en LP gasolflaska med en skadad ventil.
- △ Även om din LP gasolflaska verkar vara tom kan den fortfarande innehålla gasol. Flaskan ska transporteras och förvaras i enlighet med detta.
- △ Använd värmetåliga grillvantar eller grillhandskar (som överensstämmer med EN 407, klass 2 eller högre för skydd mot värmekontakt) när du lagar mat, justerar luftventiler (spjäll), lägger på kol och hanterar termometern eller lock.
- △ Om du ser, känner lukt av eller hör att gasol läcker från gasolflaskan:
 1. Flytta dig bort från gasolflaskan.
 2. Försök inte att korrigera problemet själv.
 3. Ring brandkåren.

△ FÖRSIKTIGHET

- △ Att täcka baljan med aluminiumfolie hindrar luftflödet. Använd istället en droppskål för att fånga upp stekflott från kött när du grillar med den indirekta metoden.
- △ Användning av vassa föremål vid rengöring av grillgallret eller borttagning av askan kommer att skada ytan.
- △ Användning av frätande rengöringsmedel på grillgallret eller på själva grillen kommer att skada ytan.
- △ Grillen ska regelbundet rengöras ordentligt.

Tack för att du har köpt en produkt från WEBER. 1415 S. Roselle Road, Palatine, Illinois 60067 USA ("WEBER") är stolta över att leverera en säker, hållbar och tillförlitlig produkt. Detta är WEBERs begränsade garanti som ges till dig utan extra kostnad. Den innehåller information som du behöver vid reparation av din WEBER-produkt, om den mot all förmodan skulle gå sönder eller vara defekt.

I enlighet med tillämpliga lagar har kunden flera rättigheter i den händelse produkten är defekt. Dessa rättigheter innefattar kompletterande prestanda eller ersättning, reducering av inköpspriset, samt kompensering. Inom EU, till exempel, skulle detta vara en två-års lagstadgad garanti från och med dagen för överlämnandet av produkten. Dessa och andra lagstadgade rättigheter påverkas inte av denna garanti. I själva verket ger denna garanti ytterligare rättigheter till ägaren, vilka är oberoende av lagstadgade garantibestämmelser.

WEBERS BEGRÄNSADE GARANTI

WEBER garanterar den ursprungliga köparen av WEBER-produkten (eller person som tagit emot produkten som gåva eller i PR-sammanhang) att WEBER-produkten är fri från material- och tillverkningsfel under garantiperioderna som anges nedan, såvida den monteras och används i enlighet med medföljande handbok. (Obs: Om du tappar bort eller förlorar din WEBER handbok, kan en ny handbok laddas ner från www.weber.com, eller en landsspecifik webbplats som ägaren kan omdirigeras till.) Under normala förhållanden, vid användning och underhåll i privata enfamiljshem eller -lägenheter, reparerar eller byter WEBER defekta delar inom gällande tidsperioder, begränsningar och undantag som anges nedan. DENNA BEGRÄNSADE GARANTI GÄLLER ENDAST DEN URSPRUNGLIGA KÖPAREN OCH KAN INTE ÖVERFÖRAS TILL EFTERFÖLJANDE ÄGARE, UTOM NÄR DET GÄLLER GÄVOR OCH REKLAMARTIKLAR SÅSOM ANGIIVITS OVAN.

ÄGARENS SKYLDIGHETER UNDER DENNA GARANTI

För att säkerställa problemfri garantitäckning är det viktigt (men inget krav) att du registrerar din WEBER-produkt online på www.weber.com, eller en landsspecifik webbplats som ägaren kan omdirigeras till. Kom dessutom ihåg att spara ditt inköpsvitto eller faktura. Genom att registrera din WEBER-produkt bekräftar du garantitäckningen och skapar en direktlänk mellan dig och WEBER om vi behöver kontakta dig.

Ovanstående garanti gäller endast om ägaren med rimlig omsorg tar hand om WEBER-produkten genom att följa alla monteringsinstruktioner, handböcker och förebyggande underhåll som beskrivs i den medföljande handboken, såvida inte ägaren kan bevisa att defekten eller felet uppstått oberoende av bristande efterlevnad av de ovan nämnda skyldigheterna. Om du bor i ett kustnära område eller om din produkt står nära en pool, ingår regelbunden tvätt och sköljning av de utvändiga ytorna i underhållet, som beskrivs i medföljande handbok.

HANTERING AV GARANTIFRÅGOR / UNDANTAG FRÅN GARANTIN

Om du anser att du har en del som täcks av denna garanti, vänligen kontakta WEBER Customer Service med hjälp av kontaktinformationen på vår hemsida (www.weber.com), eller en landsspecifik webbplats som ägaren kan omdirigeras till. Efter WEBERs bedömning reparerar eller byter WEBER ut en defekt del som täcks av denna begränsade garanti. Om reparation eller byte inte är möjligt, kan WEBER välja (efter egen bedömning) att byta ut aktuell grill mot en ny grill av motsvarande eller högre värde. WEBER kan be dig att returnera delar för inspektion, vars fraktkostnader måste betalas i förväg.

Denna GARANTI förfaller om det finns skador, försämringar, missfärgningar och/eller rost som WEBER inte kan hållas ansvarig för:

- Missbruk, vanvård, förändring, modifiering, felaktig användning, skadegörelse, försummelse, felaktig montering eller installation, och underlåtenhet att utföra normalt underhåll och rutinunderhåll.
- Insekter (såsom spindlar) och gnagare (såsom ekorrar), inklusive men inte begränsat till skador på brännrör och/eller gasolslangar.
- Exponering för salt luft och/eller klorokärlorna såsom pooler och badtunnor/spa.
- Svåra väderförhållanden såsom hagel, orkaner, jordbävningar, tsunamis eller svallvågor, tornadoer eller svåra stormar.

Användningen och/eller installation av delar på din WEBER-produkt som inte är äkta WEBER-delar ogiltigförklarar denna begränsade garanti och eventuella skador som orsakas täcks inte av denna begränsade garanti. Alla typer av modifieringar på en gasolgrill som inte har godkänts av WEBER och utförts av en auktoriserad servicetekniker från WEBER leder till att garantin ogiltigförklarar.

PRODUKTGARANTIPERIODER

Balja, lock och mittring:
10 år, inte genomrostning/genombränning

ONE-TOUCH rengöringssystem:
5 år, inte genomrostning/genombränning

Plastkomponenter:
5 år, förutom blekning eller missfärgning

Alla övriga delar:
2 år

UTESLUTANDE AV ANSVARIGHET

FÖRUTOM GARANTIN OCH FRISKRIVNINGSKLAUSULER SOM BESKRIVS I DENNA GARANTI, FINNS DET UTTRYCKLIGEN INTE NÅGON YTTERLIGARE GARANTI ELLER FRIVILLIGA DEKLARATIONER FÖR ANSVAR HÄR SOM GÅR UTÖVER DET LAGSTADGADE ANSVAR SOM GÄLLER FÖR WEBER. DEN NUVARANDE GARANTIN BEGRÄNSAR HELLER INTE ELLER UTESLUTER SITUATIONER ELLER KRAV DÄR WEBER HAR OBLIGATORISK ANSVARFÖRSÄKRING SOM FÖRESKRIVS AV LAGEN.

INGA GARANTIER GÄLLER EFTER DE TILLÄMPLIGA PERIODERNA FÖR DENNA BEGRÄNSADE GARANTI. INGA ANDRA GARANTIER SOM GES AV NÅGON PERSON ELLER ORGANISATION, INKLUSIVE BUTIK ELLER ÅTERFÖRSÄLJARE VAD GÄLLER NÅGON PRODUKT (EXEMPELVIS "UTÖKADE GARANTIER"), KAN BINDA WEBER TILL NÅGOT ANSVAR. DEN ENDA ERSÄTTNING DENNA BEGRÄNSADE GARANTI TÄCKER ÄR REPARATION ELLER BYTE AV DEL ELLER PRODUKT.

UNDER INGA OMSTÄNDIGHETER KOMMER NÅGON TYP AV ERSÄTTNING VARA HÖGRE ÄN INKÖPSPRISET FÖR DEN SÅLDA WEBER-PRODUKTEN.

DU ANTAR RISK OCH ANSVAR FÖR FÖRLUSTER, MATERIELLA SKADOR ELLER PERSONSKADOR SOM BERÖR DIG ELLER ANDRA SOM BEROR PÅ EN FELAKTIG ANVÄNDNING ELLER MISSBRUK AV PRODUKTEN ELLER VID UNDERLÅTELSE ATT FÖLJA WEBERS ANVISNINGAR SOM ANGES I ÄGARHÄNDBOKEN.

GARANTI FÖR DELAR OCH TILLBEHÖR SOM BYTS UT UNDER DENNA BEGRÄNSADE GARANTIN GÄLLER ENDAST DEN/DE URSPRUNGLIGA GARANTIPERIODEN/-ERNA.

DENNA BEGRÄNSADE GARANTI GÄLLER ENDAST VID ANVÄNDNING I PRIVATA ENFAMILJSHEM ELLER -LÄGENHETER OCH GÄLLER INTE WEBER-GRILLAR SOM ANVÄNDS I KOMMERSIELLA, KOMMUNALA ELLER FLERFAMILJSSAMMANHANG, SÅSOM RESTAURANGER, HOTELL, RESORTER ELLER VID UTHYRNING.

WEBER KAN MED TIDEN ÄNDRA UTFORMNINGEN AV DERAS PRODUKTER. INGET I DENNA BEGRÄNSADE GARANTI KAN TVINGA WEBER ATT INFÖRLIVA SÅDANA KONSTRUKTIONSÄNDRINGAR PÅ TIDIGARE TILLVERKADE PRODUKTER. SÅDANA ÄNDRINGAR SKA HELLER INTE TOLKAS SOM ETT ERKÄNNANDE ATT TIDIGARE KONSTRUKTIONER VARIT DEFEKTA.

BYTE AV SLANG, REGULATOR OCH VENTIL

⚠ VIKTIGT MEDDELANDE: Vi rekommenderar att du byter gasolslang och tillhörande delar till din Weber gasolgrill vart femte år. I vissa länder finns krav på att gasolslangar ska bytas inom fem års användning, följ då landets bestämmelser.

För ny slang, regulator och ventil, kontakta Webers kundtjänst där du bor med hjälp av kontaktinformationen på vår hemsida. Logga in på www.weber.com.

LAND

Danmark, Sverige, Norge, Finland, England, Nederländerna, Storbritannien, Frankrike, Spanien, Portugal, Belgien, Irland, Grekland, Luxemburg, Italien, Tyskland, Österrike

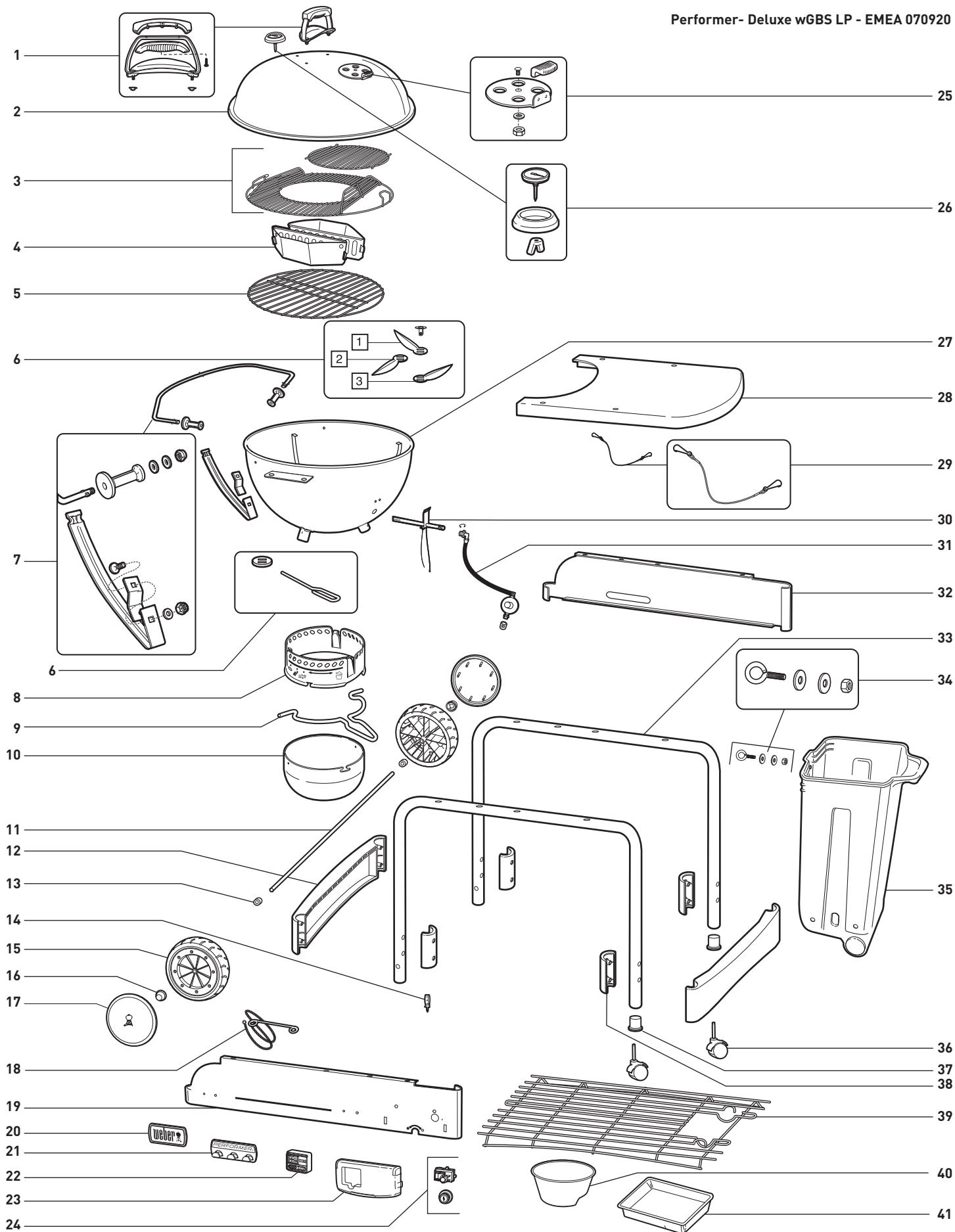
GASOLTYP OCH TRYCK

$I_{3B/P} - 29 \text{ mbar}$

FÖRBRUKNING

Tändning av brännaren. Max

Propan/ butanblandning	kW	g/h
	2,6	192



- | | | |
|---------------------------------------------------------|------------------------------|------------------------------------------------|
| 1. Montering av lockhandtag | 15. Hjul | 29. CHARBIN
retentionskedja |
| 2. Lock | 16. Navkapsel | 30. Brännarhållare |
| 3. GBS matlagningsgaller | 17. Hjulöverdrag | 31. Slang och regulator med öppning och klämma |
| 4. CHAR-BASKETS | 18. Tändstickshållare | 32. Bakre panel |
| 5. Träkolsgaller | 19. Främre panel | 33. Benställning |
| 6. ONE-TOUCH
srengöringssystem | 20. Logoplatta | 34. CHARBIN hårdvara |
| 7. TUCK-AWAY lockhållare och montering av
nedre stöd | 21. Redskapshållare | 35. CHARBIN |
| 8. Askfångarring | 22. Digital matlagningstimer | 36. låsbart hjul |
| 9. Askfångarhandtag | 23. Gasolkontrollöverdrag | 37. Hjulsats |
| 10. Askfångare, högkapacitet | 24. Tändarknapp/tändarmodul | 38. Bygelklämma till
benställning |
| 11. Axel | 25. Lockdämparhållare | 39. Nedre hylla |
| 12. Ramfäste, ben | 26. Termometerhållare | 40. Träkolskopp |
| 13. Hjulbricka | 27. Balja | 41. Engångsdroppskål |
| 14. Tändkabelstopp | 28. Arbetsbord | |

Om du har frågor eller behöver råd om din grill eller om säker användning kan du logga in på www.webergrill.com.

- Dessa instruktioner ger dig minimikraven för att montera din WEBER-grill. Läs anvisningarna noga innan du använder din WEBER-grill. Felaktig montering kan vara farligt.
- Får inte användas av barn.
- Denna WEBER-grill är utformad för användning endast med propangas eller en blandning av propan/butangas. Använd den inte med naturgas. Ventilen och regulatören är gjorda endast för propangas eller en blandning av propan/butangas.
- Denna WEBER-gasgrill är inte avsedd för kommersiell användning.
- Förtäring av alkohol och/eller receptbelagda eller receptfria läkemedel kan försämra konsumentens förmåga att riktigt montera och på ett säkert sätt använda redskapet.

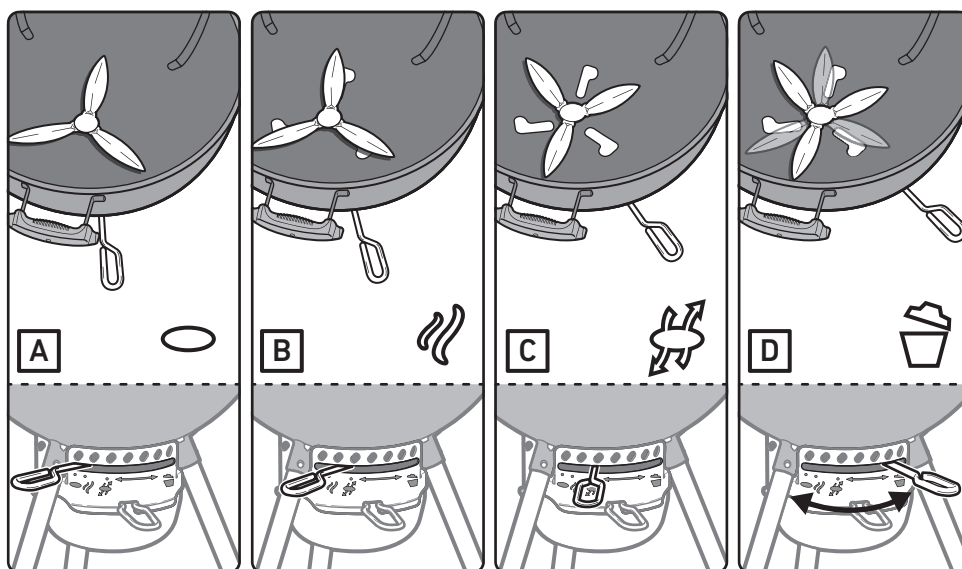
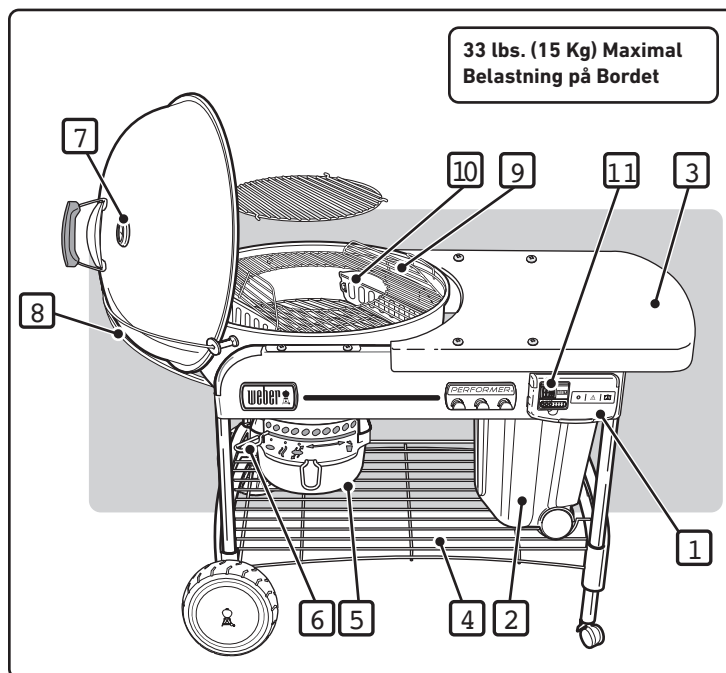
FUNKTIONER

- A) Exklusivt TOUCH-N-GO gasotändningssystem gör det enkelt att tända träkolsbriketter (1). Tryck bara ner och håll knappen och systemets gasolbrännare antänder träkolen åt dig. Ingen mer användning eller förvaring av farliga tändvätskor, och ingen mer eftersmak av tändvätska.
- B) CHARBIN förvaringsbehållare rymmer en träkolssäck med en maxvikt på 13,7 kg (2). Träkolssäcken placeras direkt i CHARBIN förvaringsbehållaren.
- C) Metallytan fungerar som en utmärkt arbetsyta och täcker CHARBIN förvaringsbehållaren för att hålla briketterna torra (3).
- D) Bekväm nedre hylla för förvaring (4).
- E) Askfångare med hög kapacitet som låses fast och eliminerar flygande aska (5).
- F) ONE-TOUCH rengöringssystem sopar lätt ut aska, eller öppnar och stänger ventilerna (6).
- G) Termometer övervakar matlagningstemperaturen på grillens insida (7).
- H) TUCK-AWAY locket glider in i lockhållaren av rostfritt stål och fungerar som vindsydd när du ska tända briketterna (8).
- I) The GOURMET BBQ SYSTEM (GBS) gångjärnsförsedda grillgaller (9), grillgaller med gångjärnsförsedda flikar kan öppnas så att du lätt kan fylla på med briketter eller trächips under matlagningen. Insatser medföljer för daglig användning. Passar hela serien av GOURMET BBQ SYSTEM tillbehör.
- J) CHAR-BASKET träkolsbränslehållare ger dig bekväm flexibilitet mellan indirekt och koncentrerad direktmatlagning med trä eller träkol (10).
- K) Digital matlagningstimer (11).

- Denna WEBER-grill är inte avsedd som och får aldrig användas som värmeelement.
- Lämna inte din WEBER-grill obevakad. Håll alltid barn och husdjur borta från din WEBER-grill.
- Delar som har förseglats av tillverkaren får inte ändras av användaren.
- Alla ändringar av redskapet kan vara farliga.
- Frikoppla cylindern om: 1) den är tom; 2) grillen förvaras i ett garage eller på annan inhägnad plats; 3) grillen ska transporteras.

⚠ **Flytta inte grillen under användning. Låt grillen svalna innan du flyttar den.**

⚠ **Detta redskap är inte avsett som och får aldrig användas som värmeelement.**



SV A – Ventilation stängd B – Lågt och långsamt C – Ventilstion öppen D – Tömma av aska

⚠ **VARNING:** Kontrollera alltid askfångaren innan du tänder om du använder flytande tändmedel. Vätska kan samlas i askfångaren och skulle kunna antändas, vilket innebär att det börjar brinna under baljan. Ta bort eventuell tändvätska från askfångaren innan du tänder kolen.

ANSLUTA LP-ENGÅNGSFLASKAN

Använd LP-engångsflaskor med en kapacitet på minst 430 g och högst 460 g. Flaskan måste ha en EN417-ventil som visas på bilden. En typ av flaska som kan användas är Primus modell 2202 eller en engångsflaska av typen WEBER Q Gasol.

⚠ VAR FÖRSIKTIG! Använd endast flaskor som är märkta med propangas eller butan-propanblandning.

För in gasolflaskan i reduceringsventilen och dra åt den medsols tills den sitter fast ordentligt.

⚠ WARNING: Dra bara åt för hand. För stor kraft kan skada reduceringsventilen och kan orsaka läckage eller dåligt gasolflöde.

KONTROLLERA OM DET FINNS GASOLLÄCKOR:**⚠ FARA**

Använd inte en öppen eldståga för att kontrollera om det finns gasolläckor. Se till att det inte förekommer gnistor eller lågor i närheten när du utför läckagekontrollen. Gnistor och lågor leder till brand eller explosion, vilket kan orsaka allvarlig kroppsskada eller dödsfall, samt skada på egendom.

Du behöver: LP gasolflaskan, en lösning bestående av diskmedel och vatten samt en trasa eller borste för att stryka på tvållösningen.

- Blanda diskmedel och vatten.
- Vrid på gasolreglaget genom att vrida det motsols.
- Kontrollera om det finns läckor genom att blöta anslutningen med tvållösning och se om bubblor bildas. Om det bildas bubblor, eller om en bubbla växer, innebär det att det finns en läcka.

KONTROLLERA:

- Anslutningen mellan regulatorn och LP gasolflaskan.

⚠ WARNING: Om det uppstår en läcka vid anslutning (1), ta bort gasolflaskan. Använd inte grillen. Anslut en annan LP gasolflaska och utför läckagekontroll med tvållösning en gång till. Om läckan finns kvar när flaskan har dragits åt ska du stänga AV gasolen. ANVÄND INTE GRILLEN. Kontakta Webers kundtjänst där du bor med hjälp av kontaktinformationen på vår hemsida. Logga in på www.weber.com.

KONTROLLERA:

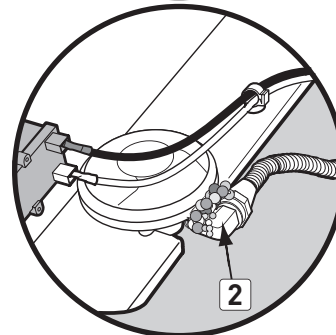
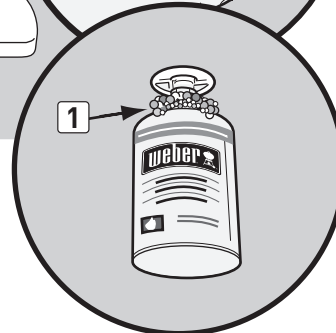
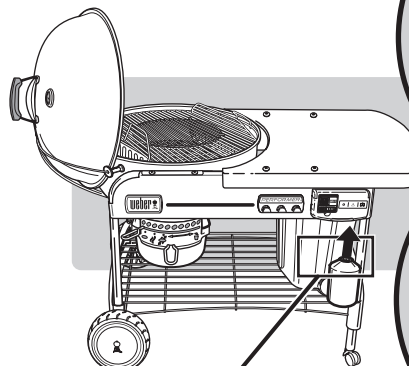
- Anslutningarna mellan ventil och regulator.

⚠ WARNING: Om det finns en läcka vid anslutningen (2), stäng AV gasen. ANVÄND INTE GRILLEN. Kontakta Webers kundtjänst där du bor med hjälp av kontaktinformationen på vår hemsida. Logga in på www.weber.com.

När läckagekontrollerna är klara ska du stänga AV gastillförseln vid källan och skölja av anslutningarna med vatten.

⚠ FARA

Förvara ingen reservflaska under eller i närheten av denna enhet.



TÄNDNING

⚠ FARA

Öppna locket innan du tänder. Använd aldrig lättantändliga vätskor som tändvätska, bensin, alkohol eller briketter som är preparerade med tändmedel, inte heller vid manuell tändning. Om detta inte följs kan livshotande skador inträffa.

A) Ta bort grilllocket innan gasolfunktionen används.

⚠ **FARA: Om detta inte följs kan gasol ansamlas vilket kan orsaka brand eller explosion som kan leda till livshotande skador, samt skador på egendom.**

B) Öppna spjällen i botten av grillen (1).

C) Placera CHAR-BASKETS över brännaren (2).

D) Tryck in flikarna på gasolreglagetets hölje (3) och lyft för att öppna.

E) Vrid gasoltillförseln (motsols) minst ett helt varv för att sätta på den (4).

⚠ **WARNING: Luta dig inte över öppen grill när du tänder den.**

F) Håll tändknappen intryckt tills brännaren tänds (5).

⚠ **VAR FÖRSIKTIG! Lågan kan vara svår att se under en ljus solig dag.**

G) När briketterna har tänts (ca 5 minuter), stäng av gasoltillförseln genom att vrida kontrollvredet till OFF (medurs) tills det stängs.

⚠ **VAR FÖRSIKTIG! Se till att höljet är helt stängt.**

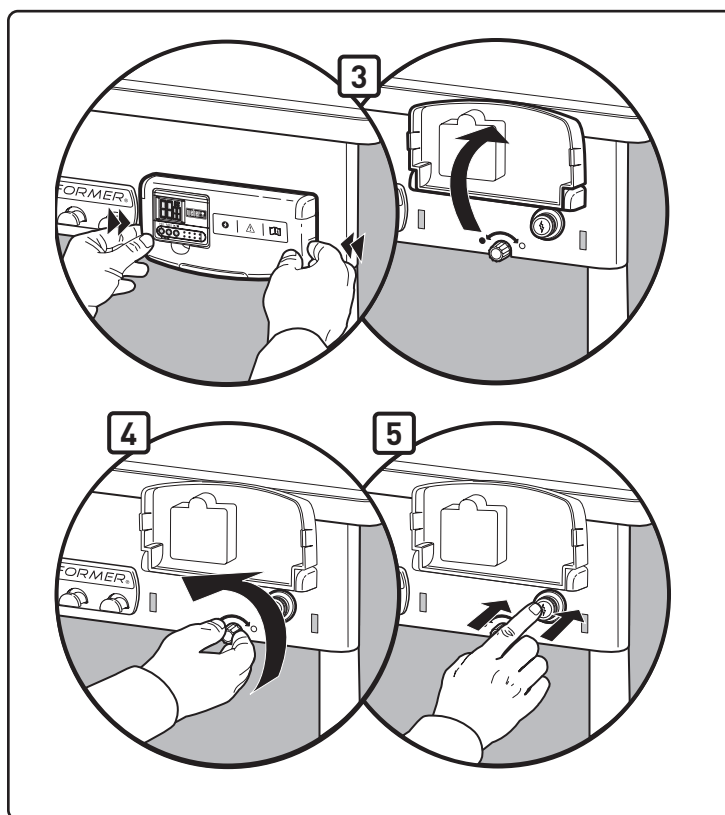
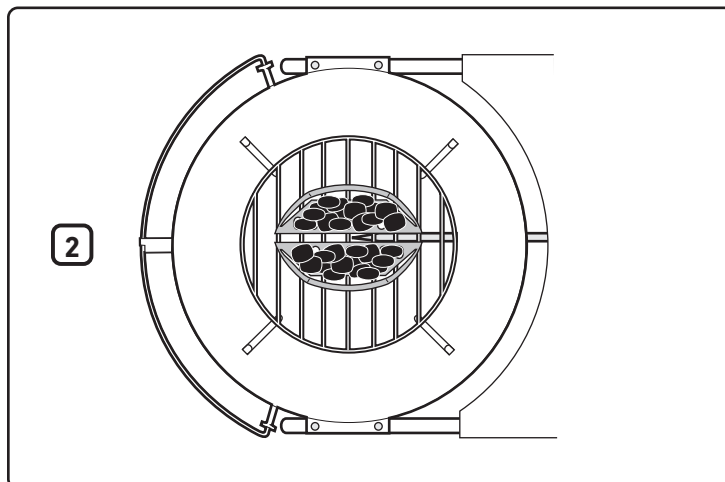
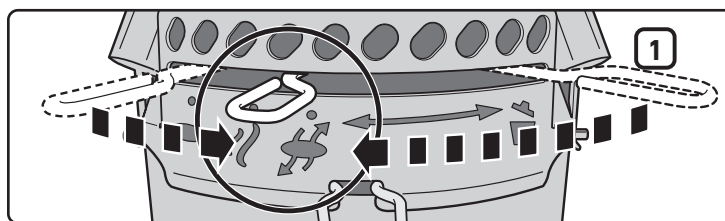
Obs! Långvarig användning av flaskan minskar flaskans livslängd.

H) Du kan påbörja grillningen när briketterna är lätt täckta av grå aska (ca 25-30 minuter).

FÖR ATT SLÄCKA

Stäng av gasoltillförseln genom att vrida kontrollvredet till OFF (medurs) tills det stängs.

⚠ **Använd grillvantar eller grillhandskar (som överensstämmer med EN 407, klass 2 eller högre för skydd mot kontaktvärme) och använd tång för att flytta CHAR-BASKETS över brännaren.**



MANUELL TÄNDNING

- ⚠ **WARNING!** Försök inte tända manuellt utan att använda tändstickshållaren.

⚠ FARA

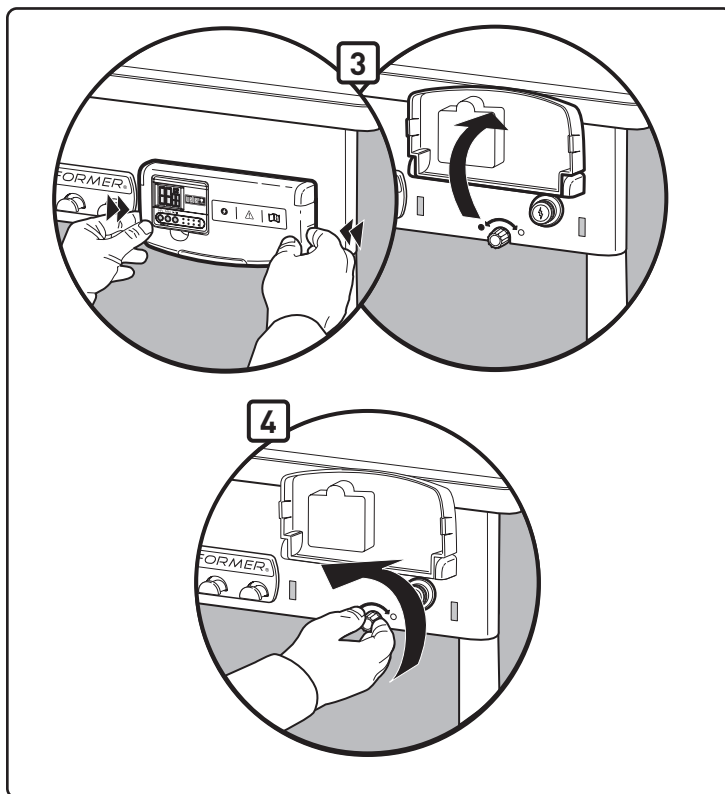
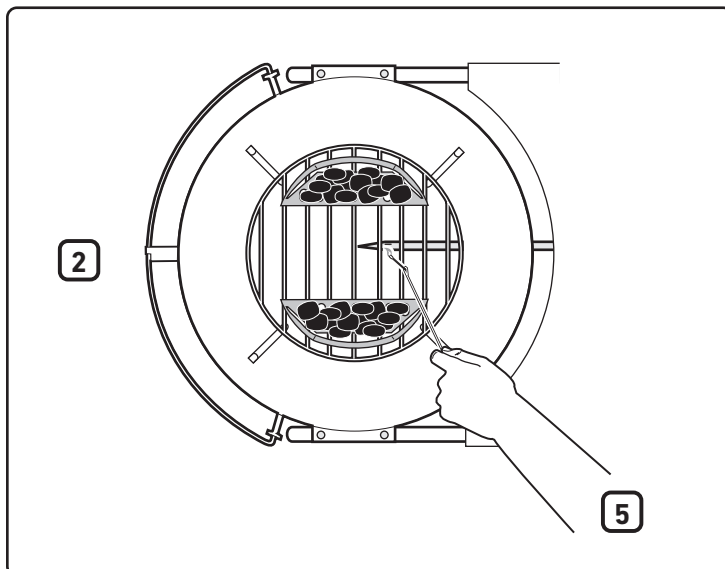
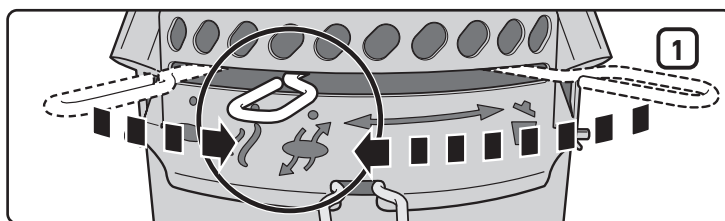
Öppna locket innan du tänder. Använd aldrig lättantändliga vätskor som tändvätska, bensin, alkohol eller briketter som är preparerade med tändmedel, inte heller vid manuell tändning. Om detta inte följs kan livshotande skador inträffa.

- A) Ta bort grilllocket innan gasolfunktionen används.
- ⚠ **FARA: Om detta inte följs kan gasol ansamlas vilket kan orsaka brand eller explosion som kan leda till livshotande skador, samt skador på egendom.**
- B) Öppna spjällen i botten av grillen (1).
- C) Flytta bort CHAR-BASKETS från brännaren (2).
- D) Tryck in flikarna på gasolreglagetets hölje (3) och lyft för att öppna.
- E) Sätt en tändsticka i tändstickshållaren. Tänd tändstickan.
- F) Vrid gasoltillförseln (motsols) minst ett helt varv för att sätta på den (4).
- G) Placera tändstickan på baksidan av brännaröppningen (5).
- ⚠ **WARNING: Håll aldrig handen direkt över brännaren när du tänder manuellt.**
- ⚠ **WARNING: Luta dig inte över öppen grill när du tänder den.**
- ⚠ **VAR FÖRSIKTIG! Lågan kan vara svår att se under en ljus solig dag.**
- H) Använd grillvantar och tång för att positionera CHAR-BASKETS över brännaren.
- I) När briketterna har tänts, (ca 5 minuter), stäng av gasolreglaget (medurs) tills det stängs.
- J) Du kan påbörja grillningen när briketterna är lätt täckta av grå aska (ca 25-30 minuter).

FÖR ATT SLÄCKA

Stäng av gasoltillförseln genom att vrida kontrollvredet till OFF (medurs) till det stängs.

- ⚠ **Använd grillvantar eller grillhandskar (som överensstämmer med EN 407, klass 2 eller högre för skydd mot kontaktvärme) och använd tång för att flytta CHAR-BASKETS över brännaren.**



ANVÄNDNING AV TIMER

Denna vattenavvisande digitala matlagningstimer har både en uppräknings- och nedräkningsfunktion i timmar, minuter och sekunder.

För att ställa in timern på nedräkning:

- Tryck på **Start/Stop**: ► / ■ -knappen för att tända bakgrundsbelysningen.
- Tryck på **HR**-knappen (1) för att ställa in antal timmar. Håll ned knappen för att snabbspola siffrorna framåt (maxinställning: 99 timmar) (4).
- Tryck på **MIN**-knappen (2) för att ställa in antal minuter. Håll ned knappen för att snabbspola siffrorna framåt (maxinställning: 59 minuter) (5).
- När önskad tid är inställd trycker du på **Start/Stop**: ► / ■ -knappen (3) för att starta nedräkningen.
- När tiden är ute kommer larmet att ljuda i 30 sekunder och automatiskt omstarta nedräkningen från den tidigare tidsinställningen.

VIKTIGT

När mer än en timme återstår av nedräkningen på timern blinkar H och M (hours [timmar] och minutes [minuter]) av och på; siffrorna nedräknas varje minut. När mindre än en timme återstår av nedräkningen ändras H och M till M och S (minutes [minuter] och seconds [sekunder]) och sekunderna nedräknas; siffrorna börjar nedräknas varje sekund.

För att radera tidsinställningen:

- Tryck på **Start/Stop**: ► / ■ -knappen för att tända bakgrundsbelysningen.
- Tryck på **HR (T)** och **MIN**: ○ -knapparna samtidigt (1)(2)

För att ställa in timern på uppräkning:

- Tryck på **Start/Stop**: ► / ■ -knappen för att tända bakgrundsbelysningen.
- Tryck på **Start/Stop**: ► / ■ -knappen igen för att börja uppräknings. Medan uppräkningsen pågår visar skärmen avläsningen i timmar/minuter och minuter/sekunder format.
- Tryck på **Start/Stop**: ► / ■ -knappen två gånger för att stänga av timern. Uppräkningsen stängs av efter 99 timmar (4) , 59 minuter (5).

Automatisk avstängning

- För att spara på batteriernas livslängd släcks bakgrundsbelysningen efter 10 sekunder. Timern stängs helt av efter 10 minuters inaktivitet.

Obs: Om timern används i en miljö där den utsätts för elektrostatisk urladdning (statisk elektricitet) kan tidsinställningen förloras. Om det händer nollställer du timern.

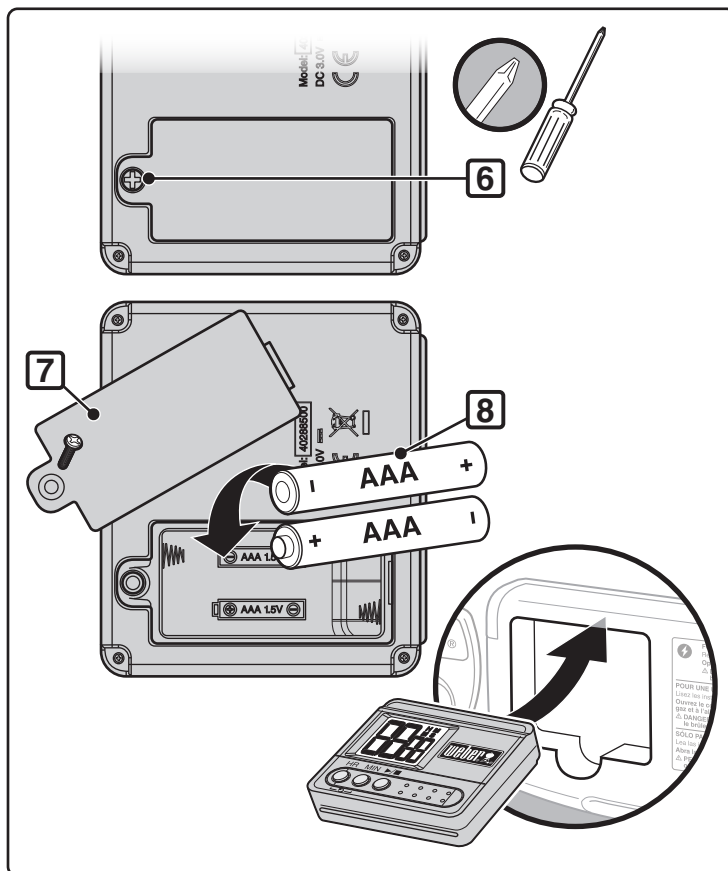
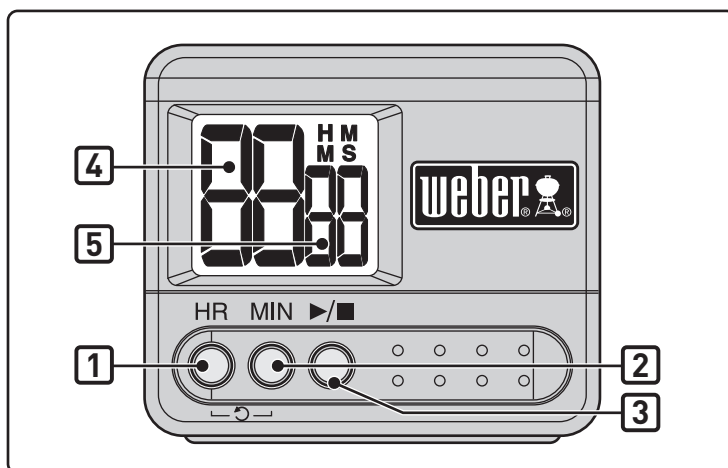
Batteriinstallation:

- Använd en stjärnskruvmejsel för att låsa upp batteriluckan på timerns baksida (6) genom att vrida skruven medsols.
- Avlägsna batterilocket från timerns baksida.(7).
- Lägg i eller byt ut AAA-batterierna (8).
- Sätt tillbaka batterilocket.
- Lås fast batterilocket genom att vrida skruven motsols med stjärnskruvmejseln.
- När batterierna har installerats visas (0000) på LCD-skärmen.

Underhåll:

- Rengör inte timern med ett avslipande eller frätande preparat. Detta kan repa eller fräta de elektroniska strömkretsarna.
- Utsätt inte timern för kraftigt våld, stötar, damm och inte heller för mycket höga temperaturer eller fuktighet. Detta kan leda till tekniska problem, kortare elektronisk livslängd, batteriskada eller förstörda delar.
- Manipulera inte timerns interna komponenter. Detta gör att garantin för timern blir ogiltig och det kan orsaka onödigt skada på batteriet och de interna delarna.
- Utsätt inte timern för överdriven exponering av direkt solljus eller kraftigt regn.
- Doppa inte timern i vatten.

För bästa kapacitet rekommenderas att timern förvaras inomhus när den inte används.



PROBLEM	KONTROLLERA	ÅTGÄRD
Brännaren brinner med en gul eller orange låga, i kombination med lukten av gasol.	Kontrollera om brännaren är igentäppt.	Rengör brännaren. (Se avsnittet "Underhåll")
Brännaren tänds inte, eller lågan är låg.	Är LP-gasen nästan slut eller slut?	Byt LP-flaskan.
	Är gasolslangen veckad eller böjd?	Sträck gasolslangen.
	Går det att tända brännaren med en tändsticka?	Om det går att tända brännaren med en tändsticka bör du kontrollera tändningssystemet.
	Är slangen till brännarrörets anslutning ordentligt fastsatt?	Anslut gasolslangen till brännarröret med medföljande metallfästklämma. ⚠ FARA: Använd inte gasoltändningsfunktionen om fästklämman saknas. En saknad fästklämma kan ge upphov till livshotande skador och egendomsskador. Kontakta kundtjänst om du behöver en ny fästklämma.
Brännarens lågmönster är oregelbundet.	Är brännaren ren?	Rengör brännaren. (Se avsnittet "Underhåll")
Brännaren tänds inte när du trycker på tändknappen.	Kontrollera att det strömmar gas till brännarna genom att försöka tända dem med tändstickor. Se "MANUELL TÄNDNING."	Om det går att tända med tändsticka finns problemet i tändningssystemet. Se "ANVÄNDNING AV DET ELEKTRONISKA TÄNDNINGSSYSTEMET."
	Är batteriet nytt?	Kontrollera att batteriet är i gott skick och att det sitter rätt monterat. Se "KONTROLL AV ELEKTRONISK TÄNDARE."
	Är sladdarna korrekt kopplade till tändmodulen?	Kontrollera att alla sladdar är rätt monterade i kontaktstiften på tändboxen. Se "ANVÄNDNING AV DET ELEKTRONISKA TÄNDNINGSSYSTEMET."
	Finns det ett plasthölje runt det nya batteriet?	Ta av plasten.
Timern fungerar inte.	Har nya batterier installerats?	Kontrollera att batterierna är i gott skick och korrekt installerade. Hänvisa till "ANVÄNDNING AV TIMER".
Locket insida verkar "flaga" (liknar färgflagor).	Vad du ser är bränt fett som har omvandlats till kol och flagar av. DETTA ÄR INTE ETT FEL.	Rengör noga. (se avsnittet "Rengöring")
Om problemen inte kan lösas på angivet sätt ska du kontakta Webers kundtjänst där du bor med hjälp av kontaktinformationen på vår hemsida. Logga in på www.weber.com .		

UNDERHÅLL

Efter ett uppehåll i användningen rekommenderar vi att du i säkerhetssyfte utför följande underhållsprocedurer.

- Kontrollera om slangen har jack eller är skadad, sprucken eller sliten före varje användningstillfälle. Om slangen är oanvändbar ska grillen inte användas. Byt endast ut delar mot delar som är godkända av WEBER. **Kontakta Webers kundtjänst där du bor med hjälp av kontaktinformationen på vår hemsida. Logga in på www.weber.com.**

⚠ VAR FÖRSIKTIG: Om grillens gasolslang är trasig någonstans eller om den läcker, ska den inte användas vid grillning.

- Kontrollera att brännarens lågor har rätt utseende (se avsnittet "Brännarens lågmönster"). Rengör vid behov enligt anvisningarna i detta avsnitt.
- Kontrollera alla gasolanslutningar så att de inte läcker (se avsnittet "Kontrollera om det finns gasolläckor").

REGELBUNDEN RENGÖRING

När askan ska avlägsnas från baljan, flytta regleringsstången (1) från sida till sida så att dämparbladen sopar askan genom baljans ventiler och in i askuppsamlaren.

⚠ VAR FÖRSIKTIG! Se till att brännaren är frånslagen och att grillen är kall innan den rengörs.

Se till att brännarens öppningar inte blir större vid rengöringen.

Rengöring av brännaren:

- Borsta utsidan av brännarröret (2) och delen med brännaröppningen (3) med en stålborste.

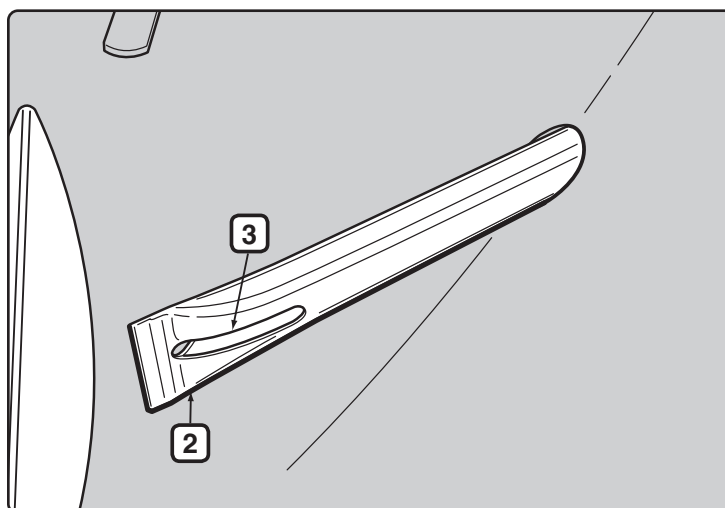
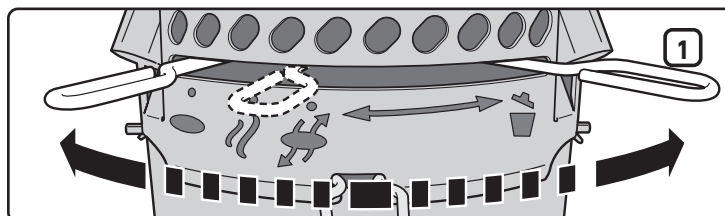
⚠ VAR FÖRSIKTIG! Se till att brännarens öppningar och gasmunstycket inte blir större vid rengöringen.

Rengöring av klotet:

- Torka av lockets insida med hushållspapper när locket är varmt, för att förhindra att fettavlagringar bildas.
- För de yttre ytorna används en varm tvållösning, skölj därefter noga med vanligt vatten.

För en grundligare rengöring (görs minst en gång om året):

- A) Ta bort askan när all kol är helt släckt.
- B) Ta bort gallerna och CHAR-BASKETS.
- C) Torka av med hushållspapper. Tvätta med ett mildt diskmedel och vatten. Skölj noga med rent vatten och låt torka.



FÖRVARING

- Om grillen ska förvaras inomhus måste gasolflaskan kopplas loss från grillen och förvaras utomhus, på en plats med god ventilation.
- LP-flaskan måste förvaras utomhus på en plats med god ventilation och utom räckhåll för barn. Den får inte förvaras i byggnader, garage eller andra inneslutna utrymmen.
- Om grillen inte har använts under en tid ska du kontrollera om det finns gasolläckor och om brännaren är igentäppt innan du använder grillen (Se avsnittet "Underhåll").
- Kontrollera att områdena runt flaskan, slangen och brännaren är rena från smuts som kan blockera flödet av gasol och luft innan de används.

INSEKTSVARNING

Din grill kan liksom andra gasolenheter för utomhusbruk dra till sig spindlar och andra insekter. De kan krypa in i brännarrörets (1) venturidel och så att gasolen flödar tillbaka ut ur luftspjället.

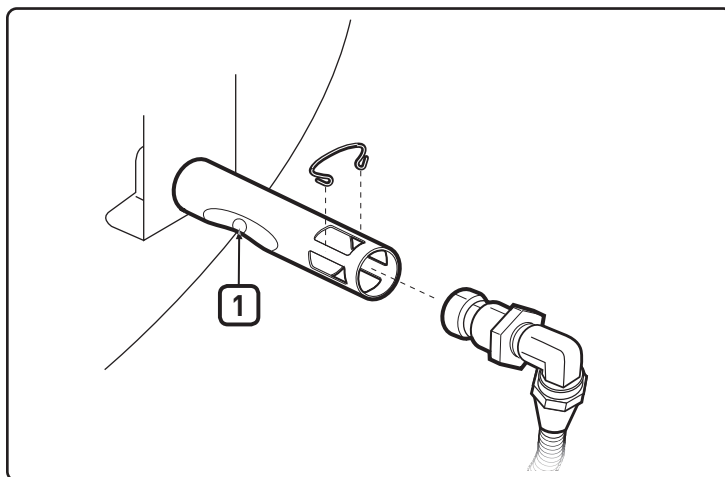
Detta kan leda till en eldsvåda i och runt brännarröret under baljans panel. Det kan innebära allvarliga skador på grillen så att den blir farlig att använda.

Vi rekommenderar att du kontrollerar och rengör brännarröret minst en gång om året, eller om något av följande inträffar:

- A) Gasolukt i kombination med att brännarlågan är mycket gul och trög.
- B) Smällande ljud kommer från brännaren.

⚠ FARA

Om problemen inte åtgärdas kan brand uppstå, vilket kan orsaka livshotande kroppsskador, och leda till skada på egendom.

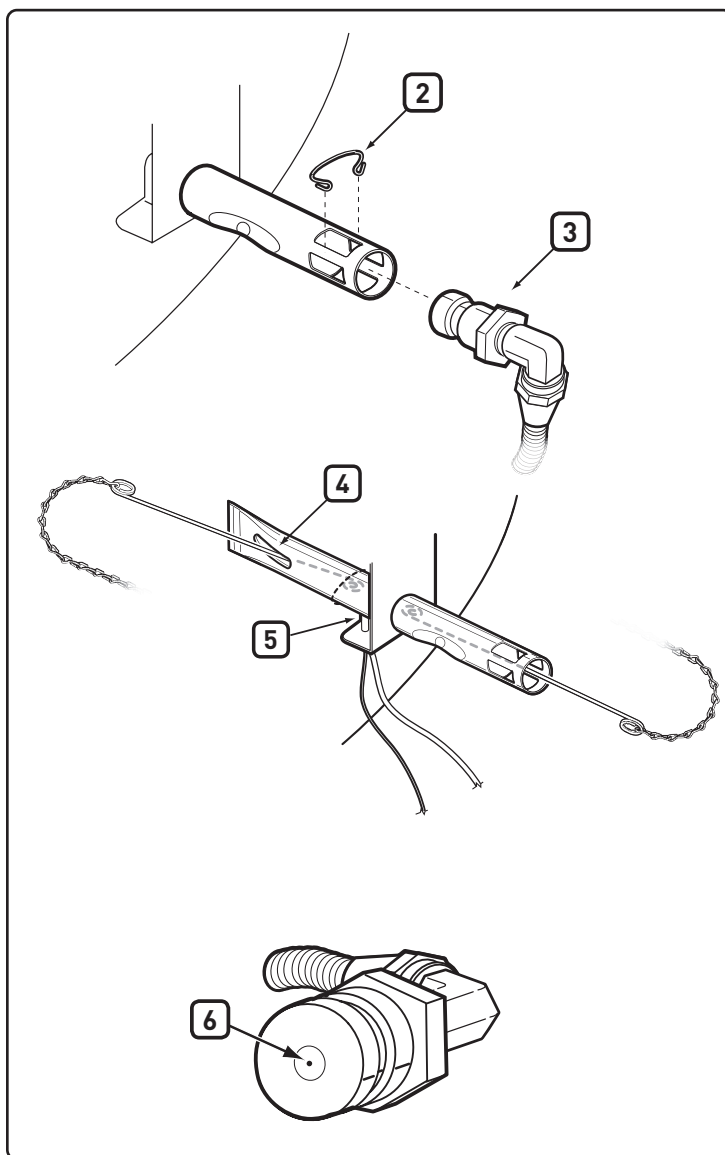


INSPEKTION OCH RENGÖRING AV BRÄNNAREN

- A) Sätt gasolen på AV.
- B) Ta bort förvaringsutrymmet CHARBIN.
- C) Ta av munstycksklämman (2) och slanganslutningen (3) från brännarröret.
- D) Undersök brännarens insida med en ficklampa.
- E) Rengör insidan av brännaren med tändstickshållaren (monterad bakom WEBER-logotypplattan).
Använd metalltråd för att rengöra luftspjällets område, venturidelen och brännarens öppningar (4) på baljans insida. Var försiktig när du för in brännarens rengöringsverktyg så att tändarelektroden inte skadas (5).
- F) Kontrollera en gång till med ficklampa så att det inte finns några tilltäppningar.
- G) Vid behov kan också slanganslutningens yta rengöras med en stålborste. Munstycket (6) kan rengöras med en liten nål.

⚠ VAR FÖRSIKTIG! Se till att munstycket inte blir större vid rengöringen.

- H) Sätt ihop delarna i omvänd ordning mot stegen B och C.

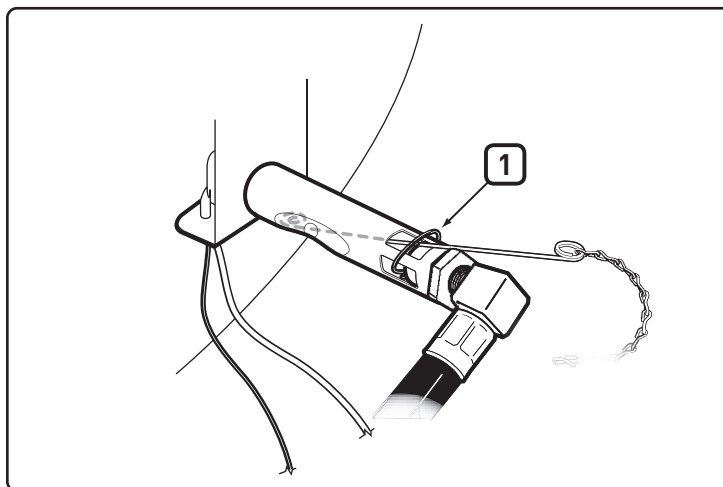


REGELBUNDEN SNABBRENGÖRING

Vi rekommenderar att du regelbundet borstar utsidan av brännarens öppningar med en stålborste, och rengör brännarröret som går genom ventilen för förbränningsluft med medföljande tändstickshållare.

Detta görs genom att först leta upp brännarens ventil för förbränningsluft (1) under baljans fäste, och för in verktyget genom varje ventil och rotera verktyget. Var försiktig när du för in tändstickshållaren så att tändarelektroden inte skadas.

⚠ VAR FÖRSIKTIG! Det är viktigt att utföra rengöringen oftare under vår- och sommarmånaderna.



KONTROLL AV ELEKTRONISKT TÄNDNINGSSYSTEM

Om det elektroniska tändningssystemet inte tänds, kontrollera att det strömmar ut gas genom att försöka tända brännarna med en tändsticka. Se "MANUELL TÄNDNING". Om det går att tända med tändsticka ligger problemet i den elektroniska tändningen.

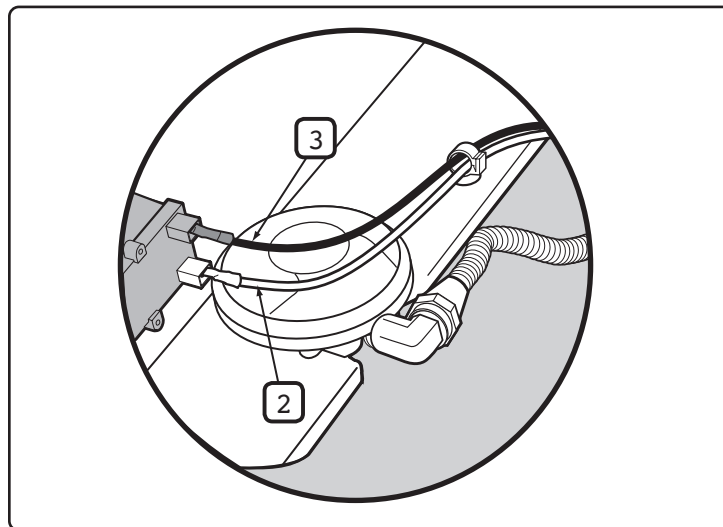
⚠ VARNING: Gasreglage och gasventil bör stå i avstängt läge.

- Kontrollera att AAA-batteriet (endast alkaliskt) är i gott skick, och att det är korrekt isatt (1). Vissa batterier har skyddande plast runt sig. Denna plast måste tas av. Förväxla inte plasten med batterietiketten.
- Kontrollera att både de vita (2) och svarta (3) tändtrådarna fästs ordentligt.
- Kontrollera att den elektroniska tändknappen fungerar genom att lyssna och titta efter gnistor vid brännaren.
- Kontrollera om tändaren är lös i ramen. Spänn den vid behov. Se steget "Montera" för rätt tillvägagångssätt.

Byt Batteri Vid Behov

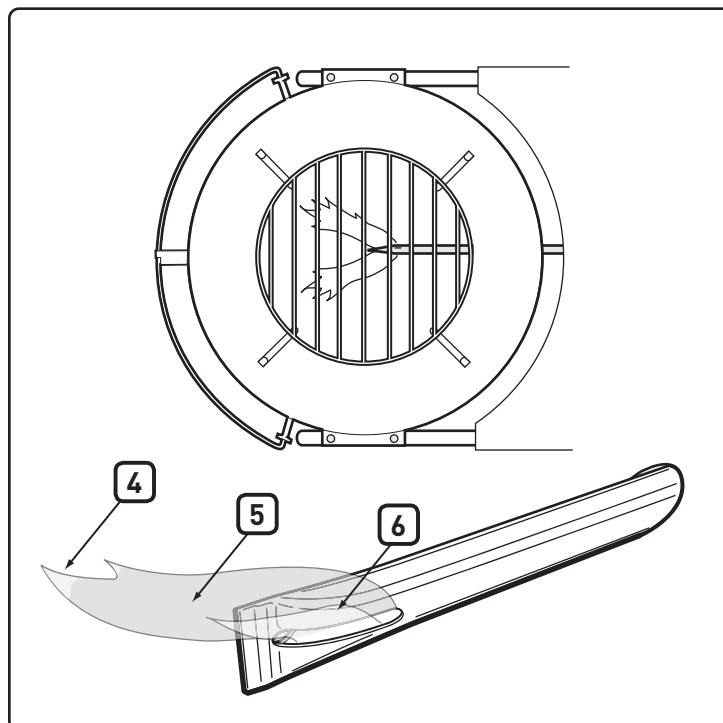
Använd endast alkaliskt AAA-batteri.

Om det elektroniska tändningssystemet fortfarande inte tänds ska du kontakta Webers kundtjänst där du bor med hjälp av kontaktinformationen på vår hemsida. Logga in på www.weber.com.



BRÄNNARENS LÅGMÖNSTER

Brännaren är fabriksinställd för rätt blandning av luft och gasol. Det korrekta lågmönstret ska vara gulaktiga längst ut (4) mörkblåa i mitten (5) och ljusblåa vid brännarröret (6). Om lågorna inte överensstämmer med detta eller om "smällande" ljud hörs, följ anvisningarna för rengöring av brännare.



**⚠ OBSERVERA: Denna produkt har säkerhetstestats och är endast godkänd för att användas i ett specifikt land.
Landsbeteckningen anges på ytterförpackningen.**

Dessa delar kan innehålla gasolbärande eller gasolbrännande komponenter. Kontakta kundtjänstavdelningen på Weber-Stephen Products LLC för information om originalreservdelar från Weber-Stephen Products LLC.

⚠ VARNING: Försök inte reparera gasolbärande eller gasolbrännande komponenter utan att först kontakta kundtjänstavdelningen på Weber-Stephen Products LLC. Om du inte följer denna produktvarning kan dina handlingar leda till brand eller explosion, vilket kan orsaka allvarlig personskada eller dödsfall och skada på egendom.



WEBER-STEPHEN PRODUCTS LLC
www.weber.com

PERFORMER DELUXE

Bedienungsanleitung für Holzkohlegrills

Lesen Sie das Benutzerhandbuch durch, bevor Sie den Grill in Betrieb nehmen.

Montageanleitung -  p. 6

**LESEN SIE UNBEDINGT VOR DER
INBETRIEBNAHME IHRES GASGRILLS DIESE
BEDIEUNGSANLEITUNG AUFMERKSAM
DURCH!**

⚠ GEFAHRENHINWEIS

Bei Gasgeruch:

1. Schließen Sie die Gaszufuhr zum Gerät.
2. Löschen Sie alle offenen Flammen.
3. Öffnen Sie den Deckel.
4. Wenn der Geruch weiterhin vorhanden ist, halten Sie Abstand vom Gerät, und informieren Sie unverzüglich Ihren Gasversorger oder die Feuerwehr.

Durch ausströmendes Gas kann ein Brand oder eine Explosion verursacht werden. Dadurch kann es zu ernsthaften Personenschäden, zu tödlichen Unfällen und zu Sachschäden kommen.

⚠ WARNHINWEIS: Versuchen Sie erst dann, den Weber Gasgrill zu entzünden, wenn Sie zuvor die Anleitungen "Zünden" in diesem Handbuch gelesen haben.

⚠ WARNHINWEIS:

1. Lagern oder arbeiten Sie nicht mit leicht entflammbaren Gasen oder Flüssigkeiten in der Nähe dieses Geräts.
2. In der Nähe dieses Geräts oder anderer Geräte dürfen keine Gasflaschen aufbewahrt werden, die nicht zur unmittelbaren Verwendung vorgesehen sind.

⚠ WARNHINWEIS: Führen Sie alle in dieser Bedienungsanleitung aufgeführten Verfahren zur Überprüfung von Gaslecks sorgfältig durch, bevor Sie das Gerät zum Grillen verwenden. Führen Sie immer eine Dichtigkeitsprüfung durch, auch wenn der Händler den Grill montiert hat.

INFORMATION FÜR DEN INSTALLATEUR: Dieses Handbuch muss beim Besitzer des Geräts verbleiben und dort zur weiteren Verwendung aufbewahrt werden.

**DAS GERÄT DARF NUR IM FREIEN VERWENDET
WERDEN.**

DAS NICHTBEFOLGEN DIESER GEFAHREN- UND WARNHINWEISE ODER VORSICHTSMASSNAHMEN KANN ZU SCHWEREN KÖRPERVERLETZUNGEN ODER TOD FÜHREN SOWIE ZU BRAND ODER EXPLOSIONEN, DIE SACHSCHÄDEN ZUR FOLGE HABEN KÖNNEN.

- ⚠ **SICHERHEITSSYMBOL** (⚠) machen Sie auf wichtige **SICHERHEIT**shinweise aufmerksam.
- ⚠ **Signalworte** wie **GEFAHR**, **WARNUNG** oder **VORSICHT** werden zusammen mit dem **SICHERHEITSSYMBOL** benutzt.
- ⚠ **GEFAHR** wird die ernsthaftesten Gefahren kennzeichnen.
- ⚠ Bitte lesen Sie alle in diesem Benutzerhandbuch enthaltenen Sicherheitsinformationen, bevor Sie den Grill benutzen.

⚠ GEFAHREN

- ⚠ **Betreiben Sie diesen Grill niemals unterhalb einer entflammaren Konstruktion.**
- ⚠ **Unsachgemäße Montage kann gefährlich sein.** Bitte befolgen Sie die in diesem Handbuch zu findende Montageanleitung. Benutzen Sie den Grill erst, nachdem alle Einzelteile montiert wurden. Stellen Sie sicher, dass die Aschepfanne korrekt an die Beine unterhalb der Grillschale angebracht wurde, oder dass sich die große Aschepfanne an der richtigen Stelle befindet, bevor Sie den Grill entzünden.
- ⚠ **Brennbare Materialien sollten niemals in einer Distanz von weniger als 60 cm von der Ober-, Unter-, Rückseite oder den Seiten des Grills aufbewahrt werden.**
- ⚠ **Lehnen Sie sich niemals über den Grill, während Sie den Gasbrenner entzünden.**
- ⚠ **Benutzen Sie den Grill nicht bei sehr windigen Wetterbedingungen.**
- ⚠ **Benutzen Sie den Grill nicht, falls ein Gasleck vorliegt.**
- ⚠ **Benutzen Sie kein offenes Feuer, um nach Gaslecks zu suchen.**
- ⚠ **Sollte der Brenner während des Grillbetriebs erlöschen, schließen Sie das Tankventil.** Entfernen Sie den Deckel und warten Sie fünf Minuten, bevor Sie erneut versuchen, den Brenner mithilfe der entsprechenden, in diesem Handbuch zu findenden Anleitungen zu entzünden.
- ⚠ **Versuchen Sie nicht, den Gasregler oder sonstige Gasanschlüsse vom Tank zu entfernen, während der Grill betrieben wird.**
- ⚠ **Benutzen Sie ausschließlich den LP-Gasregler, der im Lieferumfang des Grills enthalten ist.**

⚠ WARNUNGEN

- ⚠ **Befolgen Sie die für Ihren Grilltyp entsprechenden Anleitungen zum Anbringen des Reglers.**
- ⚠ **Verstauen Sie keine zusätzlichen oder sich nicht in Benutzung befindlichen, wegwerfbaren LP-Kartuschen unterhalb oder in der Nähe dieses Grills.**
- ⚠ **Benutzen Sie den Grill ausschließlich auf einer sicheren, waagerechten Oberfläche, die frei von brennbaren Materialien ist.**
- ⚠ **Legen Sie keine Grillabdeckung oder andere, brennbare Gegenstände auf den Grill oder in den Aufbewahrungsbereich unterhalb des Grills.**
- ⚠ **Entfernen Sie immer den Deckel, bevor Sie den Gasbrenner entweder manuell oder mit einem Anzünder entzünden.** Der Deckel darf **ERST DANN** wieder geschlossen werden, nachdem sich die Kohle vollständig entzündet hat.
- ⚠ **Benutzen Sie zum Grillen geeignetes Grillbesteck mit langen, hitzebeständigen Griffen.**
- ⚠ **Einige Modelle werden mit der TUCK-AWAY Deckelhalterung geliefert.** Die TUCK-AWAY Deckelhalterung dient als Deckelablage, während Sie nach Ihrem Grillgut schauen oder es wenden. Nutzen Sie die TUCK-AWAY Deckelhalterung nicht als Griff zum Hochheben oder Verschieben des Grills. Legen Sie den heißen Deckel nicht auf Teppichböden oder Gras ab. Hängen Sie den Deckel nicht am Grillschalengriff auf.
- ⚠ **Lassen Sie beim Umgang und Verstauen von heißen Elektrostartern Vorsicht walten.**
- ⚠ **Halten Sie Elektro- und Stromkabel von den heißen Oberflächen des Grills und von stark frequentierten Bereichen fern.**
- ⚠ **Wenn der Grill über einen längeren Zeitraum verstaut und/oder nicht benutzt wurde, prüfen Sie ihn vor der Inbetriebnahme auf Gaslecks und Verstopfungen im Brenner.** Lesen Sie dazu die in diesem Handbuch enthaltenen Anleitungen.
- ⚠ **Die Umwandlung oder versuchte Verwendung von Erdgas mit diesem Grill ist gefährlich und führt zum Verlust Ihrer Garantie.**
- ⚠ **Eine verbeulte oder rostige, wegwerfbare LP-Kartusche kann gefährlich werden und sollte von Ihrem Flüssigpropangas-Anbieter vor Ort überprüft werden.** Benutzen Sie keine wegwerfbare LP-Kartusche mit einem beschädigten Ventil.
- ⚠ **Auch wenn Ihre wegwerfbare LP-Kartusche leer zu sein scheint, kann sie noch immer Gas enthalten.** Die wegwerfbare LP-Kartusche sollte entsprechend transportiert und gelagert werden.
- ⚠ **Trage beim Grillen, Anpassen der Lüfteröffnungen (Lüftungsschieber), Hinzugeben von Holzkohle, Verwenden des Thermometers und Öffnen bzw. Schließen des Deckels stets hitzebeständige Grillhandschuhe (mit einer Kontaktwärmebeständigkeit der Stufe 2 oder höher gemäß DIN EN 407).**
- ⚠ **Falls Sie sehen, riechen oder hören, dass aus der wegwerfbaren LP-Kartusche Gas entweicht, dann:**
 1. Entfernen Sie sich von der wegwerfbaren LP-Kartusche.
 2. Versuchen Sie nicht, das Problem alleine zu beheben.
 3. Rufen Sie die Feuerwehr.

⚠ VORSICHTSMASSNAHMEN

- ⚠ **Das Auslegen der Grillschale mit Aluminiumfolie behindert den Luftfluss.** Nutzen Sie stattdessen eine Tropfschale, um tropfendes Fett aufzufangen, wenn Sie mit der indirekten Methode grillen.
- ⚠ **Das Reinigen des Grillrostes oder das Entfernen der Asche mit scharfen Gegenständen beschädigt die Oberfläche.**
- ⚠ **Das Verwenden aggressiver Reinigungsmittel auf dem Grillrost oder dem Grill selbst beschädigt die Oberfläche.**
- ⚠ **Der Grill sollte in regelmäßigen Abständen gründlich gereinigt werden.**

Vielen Dank, dass Sie sich für ein WEBER Produkt entschieden haben. 1415 S. Roselle Road, Palatine, Illinois 60067 USA („WEBER“), ist stolz darauf, ein sicheres, langlebiges und verlässliches Produkt zu liefern. Das nachfolgende freiwillige Garantieprogramm von WEBER erhalten Sie ohne zusätzliche Kosten. Es beinhaltet alle Informationen, die Sie in dem unwahrscheinlichen Fall benötigen, dass Ihr WEBER-Produkt wegen eines Ausfalls oder Mangels repariert werden muss.

Kraft geltender Gesetze stehen dem Kunden verschiedene Rechte zu, falls das Produkt schadhaft ist. Diese Rechte umfassen Nacherfüllung oder Ersatz, Minderung des Einkaufspreises und Schadenersatz. In der Europäischen Union zum Beispiel gilt eine zweijährige gesetzliche Gewährleistung ab dem Datum der Übergabe des Produkts. Diese und andere gesetzliche Rechte bleiben von dieser Garantiebestimmung unberührt. Mit dieser Garantie werden dem Eigentümer weitere, von den gesetzlichen Gewährleistungsbestimmungen unabhängige Rechte eingeräumt.

FREIWILLIGES GARANTIEPROGRAMM SEITENS WEBER

WEBER steht dem Käufer des WEBER-Produkts (oder, falls das Produkt ein (Werbe-)Geschenk ist, der Person, für die es als (Werbe-)Geschenk gekauft wurde), dafür ein, dass das WEBER-Produkt im nachfolgend genannten Zeitraum/in den nachfolgend genannten Zeiträumen und soweit es gemäß dem zugehörigen Benutzerhandbuch zusammengebaut und betrieben wird, frei ist von Material- und Ausführungsmängeln. (Anmerkung: Falls Sie Ihr WEBER-Benutzerhandbuch verlegt oder verloren haben, können Sie ein Ersatzexemplar von www.weber.com oder von der landesspezifischen Website herunterladen, auf die der Eigentümer ggf. umgeleitet wird). Bei normaler Nutzung und Pflege in einem einzelnen Privathaushalt verpflichtet sich WEBER im Rahmen dieses Garantieprogramms, schadhafte Teile im Rahmen der nachfolgend genannten Fristen, Zeiträume, Beschränkungen und Ausschlüsse instand zu setzen oder zu ersetzen. SOWEIT NACH GELTENDEM GESETZ ZULÄSSIG, GILT DIESES GARANTIEPROGRAMM NUR FÜR DEN URSPRÜNGLICHEN KÄUFER UND IST NICHT AUF SPÄTERE EIGENTÜMER ÜBERTRAGBAR, SOWEIT ES SICH NICHT UM (WERBE-)GESCHENKE IM OBEN GENANNTEN SINNE HANDELT.

PFLICHTEN DES EIGENTÜMERS IM RAHMEN DIESES GARANTIEPROGRAMMS

Um eine problemlose Abwicklung des Garantieprogramms sicherzustellen, sollten Sie (ohne dazu verpflichtet zu sein) Ihr WEBER-Produkt online unter www.weber.com oder auf der landesspezifischen Website registrieren, auf die der Eigentümer ggf. umgeleitet wird). Bitte bewahren Sie auch den Original-Kaufbeleg bzw. die Originalrechnung auf. Durch die Registrierung Ihres WEBER-Produkts wird Ihr Garantieanspruch bestätigt und wird ein direkter Kontakt zwischen Ihnen und WEBER hergestellt, falls wir uns an Sie wenden müssen.

Das obige Garantieprogramm gilt nur, wenn der Eigentümer das WEBER-Produkt mit angemessener Sorgfalt behandelt, indem er alle Montage- und Bedienungsanweisungen beachtet und die vorbeugende Wartung durchführt, wie dies im mitgelieferten Benutzerhandbuch beschrieben ist, es sei denn, der Eigentümer kann nachweisen, dass der Mangel oder der Ausfall nicht durch eine Nichteinhaltung der oben genannten Verpflichtungen bedingt ist. Wenn Sie in einer Küstengegend wohnen oder Sie Ihr Produkt in der Nähe eines Pools aufgestellt haben, umfasst die Wartung auch das regelmäßige Waschen und Abspülen der Außenflächen, wie dies im mitgelieferten Benutzerhandbuch beschrieben ist.

ABWICKLUNG DES GARANTIEPROGRAMMS/AUSSCHLUSS DES GARANTIEPROGRAMMS

Wenn Sie glauben, ein Teil zu haben, auf das dieses Garantieprogramm Anwendung findet, wenden Sie sich bitte an den Kundendienst von WEBER unter den auf unserer Website (www.weber.com, oder der landesspezifischen Website, auf die der Eigentümer ggf. umgeleitet wird) angegebenen Kontaktinformationen. WEBER wird nach Prüfung ein schadhaftes Teil, das unter dieses Garantieprogramm fällt, (nach ihrer Wahl) instand setzen oder ersetzen. Falls eine Instandsetzung oder ein Ersatz nicht möglich ist, kann WEBER (nach ihrer Wahl) den betreffenden Grill durch einen gleichwertigen oder höherwertigen neuen Grill ersetzen. WEBER kann Sie bitten, Teile zur Prüfung zurückzusenden, wobei die Versandkosten voranzubezahlen sind.

Dieses GARANTIEPROGRAMM erlischt, wenn Schäden, Zustandsverschlechterungen, Verfärbungen und/oder Roststellen auftreten, für die WEBER nicht verantwortlich ist und die verursacht sind durch:

- Missbrauch, Änderungen, Umbau, fehlerhafte Anwendung, Vandalismus, mangelnde Pflege, unsachgemäße Montage oder Aufstellung und nicht vorschriftsgemäße normale und Routinewartung;
- Insekten (wie z. B. Spinnen) und Nagetiere (wie z. B. Marder), wozu unter anderem eine Beschädigung der Brennerrohre oder der Gasschläuche gehört;
- Einwirkung von salzhaltiger Luft und/oder von Chlorquellen wie z. B. Swimmingpools und Whirlpools/Luftsprudelbädern;
- Raue Witterungsbedingungen wie z. B. Hagel, Wirbelstürme, Erdbeben, Tsunamis oder Sturmfluten, Tornados oder Orkane.

Verwendung und/oder Einbau von anderen als Original-WEBER-Teilen an Ihrem WEBER-Produkt führt zum Erlöschen dieses Garantieprogramms, und hieraus entstehende Schäden sind nicht durch dieses Garantieprogramm gedeckt. Jeglicher Umbau an einem Gasgrill, der nicht durch WEBER autorisiert und nicht von einem von WEBER autorisierten Wartungstechniker durchgeführt wurde, führt zum Erlöschen dieses Garantieprogramms.

GARANTIEFRISTEN

Kessel, Deckel und Mittelring:
10 Jahre, auf Durchrosten oder Durchbrennen

ONE-TOUCH-Reinigungssystem:
5 Jahre, auf Durchrosten oder Durchbrennen

Kunststoffbauteile:
5 Jahre, außer Verfärbungen oder Entfärbung

Alle übrigen Teile:
2 Jahre

AUSSCHLUSSKLAUSELN

AUSSER DER/DEN IN DIESER GARANTIEERKLÄRUNG GENANNTEN GARANTIE UND AUSSCHLUSSKLAUSELN WERDEN HIERMIT KEINE WEITEREN GARANTIE- ODER FREIWILLIGEN HAFTUNGSEKKLÄRUNGEN ABGEGEBEN, DIE ÜBER DIE FÜR WEBER GELTENDE GESETZLICHE HAFTUNG HINAUSGEHEN. DIE VORLIEGENDE GARANTIEERKLÄRUNG BESCHRÄNKT AUCH KEINE SITUATIONEN ODER ANSPRÜCHE ODER SCHLIESST DIESE AUS, BEZÜGLICH DEREN WEBER NACH DEN GESETZLICHEN VORSCHRIFTEN ZWINGEND HAFTET.

ES WERDEN KEINE GARANTIE ÜBER DIE IN DIESEM GARANTIEPROGRAMM GENANNTEN FRISTEN HINAUS GEGEBEN. WEBER IST NICHT AN SONSTIGE GARANTIEEN GEBUNDEN, DIE VON EINER NATÜRLICHEN PERSON EINSCHLIESSLICH (EINZEL-)HÄNDLERN AUF EIN PRODUKT GEGEBEN WERDEN (WIE Z. B. „ERWEITERTE GARANTIEEN“). DIE AUSSCHLIESSLICHE ABHILFE IM RAHMEN DIESES GARANTIEPROGRAMMS IST INSTANDSETZUNG ODER ERSATZ DES TEILS BZW. PRODUKTS.

IN KEINEM FALL ÜBERSTEIGT EINE ENTSCHÄDIGUNG JEDLICHER ART IM RAHMEN DIESES FREIWILLIGEN GARANTIEPROGRAMMS DEN BETRAG DES KAUFPREISES DES VERKAUFTEN WEBER-PRODUKTS.

SIE TRAGEN DAS RISIKO UND DIE HAFTUNG FÜR VERLUST, BESCHÄDIGUNG ODER VERLETZUNG VON IHNEN SELBST UND AN IHREM EIGENTUM UND/ODER VON ANDEREN UND DEREN EIGENTUM IM ZUSAMMENHANG MIT EINEM MISSBRAUCH DES PRODUKTS ODER EINER NICHTBEACHTUNG DER VON WEBER IM MITGELIEFERTEN BENUTZERHANDBUCH GEGEBENEN ANWEISUNGEN.

FÜR TEILE UND ZUBEHÖR, DIE IM RAHMEN DIESES GARANTIEPROGRAMMS ERSETZT WERDEN, GILT/GELTEN NUR DIE RESTLAUFZEIT(EN) DER OBEN GENANNTEN URSPRÜNGLICHEN GARANTIE.

DIESES GARANTIEPROGRAMM GILT NUR FÜR DIE VERWENDUNG DURCH EINZELNE PRIVATHAUSHALTE UND NICHT FÜR WEBER-GRILLS, DIE GEWERBLICH, AUF KOMMUNALER EBENE ODER IN APPARTEMENT-BLOCKS GENUTZT WERDEN, WIE Z. B. VON RESTAURANTS, HOTELS, IN FERIENORTEN ODER IN MIETOBJEKTEN.

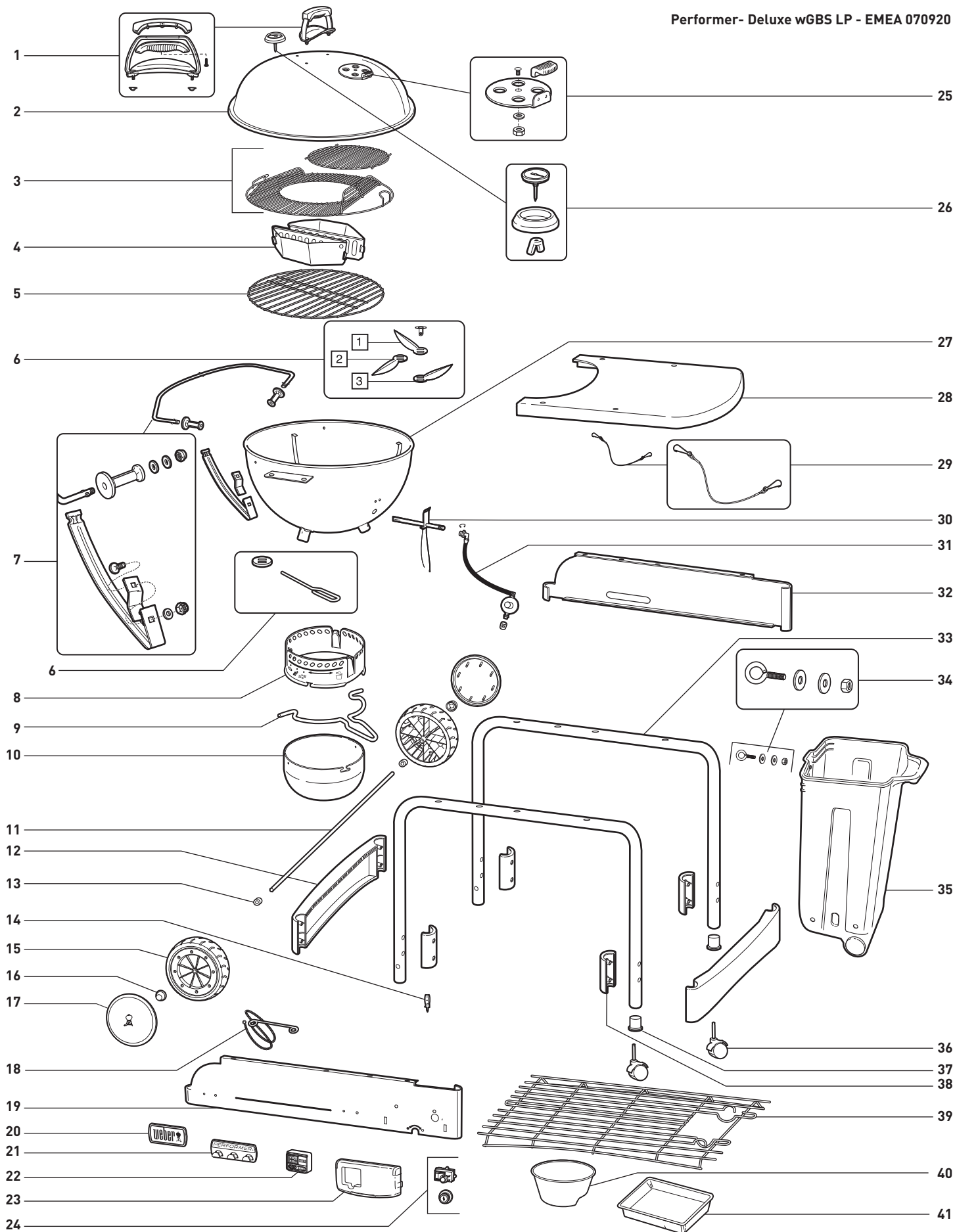
WEBER KANN DEN ENTWURF IHRER PRODUKTE VON ZEIT ZU ZEIT ÄNDERN. KEINE BESTIMMUNG DIESES GARANTIEPROGRAMMS IST SO AUSZULEGEN, ALS SEI WEBER VERPFLICHTET, SOLCHE ENTWURFSÄNDERUNGEN IN ZU EINEM FRÜHEREN ZEITPUNKT HERGESTELLTE PRODUKTE ZU INTEGRIEREN, NOCH SIND SOLCHE ÄNDERUNGEN ALS INGESTÄNDNIS AUSZULEGEN, DASS FRÜHERE ENTWÜRFE MÄNGELBEHAFTET GEWESEN SEIEN.

ERSATZSCHLAUCH MIT DRUCKREGLER UND REGELVENTILEINHEIT

⚠ WICHTIGER HINWEIS: Wir empfehlen, dass Sie die Gasschlauch-Baugruppe Ihres Weber-Gasgrills aller 5 Jahre austauschen. In einigen Ländern wird vorgeschrieben, dass der Gasschlauch in weniger als 5 Jahren ersetzt werden muss; diese nationalen Vorschriften haben Vorrang.

Wenden Sie sich für einen Ersatzschlauch mit Druckregler und Regelventileinheit an den für Sie zuständigen Händler oder Gasinstallateur. Die Kontaktinformationen der Händler finden Sie auf unserer Website unter www.weber.com.

LAND		GASART UND GASDRUCK
Dänemark, Schweden, Norwegen, Finnland, England, Niederlande, Großbritannien, Frankreich, Spanien, Portugal, Belgien, Irland, Griechenland, Luxemburg, Italien, Deutschland, Österreich, Schweiz		I _{3B/P} - 29 mbar
VERBRAUCHSDATEN		
Zünden des Brenners, Max.		
Propan/ Butangemisch	kW	g/h
	2,6	192



- | | | |
|----------------------------------------------------------------------|---------------------------------------|------------------------------------------|
| 1. Zusammensetzung Deckelgriff | 15. Rad | 29. CHARBIN
Haltekette |
| 2. Deckel | 16. Radkappe | 30. Zusammensetzung Brenner |
| 3. GBS Grillrost | 17. Radabdeckung | 31. Schlauch & Regler mit Öffnung & Clip |
| 4. CHAR-BASKETS | 18. Streichholzhalterung | 32. Rückseitenblende |
| 5. Kohlegrill | 19. Frontblende | 33. Beinrahmung |
| 6. ONE-TOUCH
Reinigungssystem | 20. Logoschild | 34. CHARBIN Eisenteile |
| 7. TUCK-AWAY Deckelhalterung &
Zusammensetzung der unteren Stütze | 21. Grillbesteck-Halterung | 35. CHARBIN |
| 8. Aschepfannen-Ring | 22. Digitaler Zeitmesser | 36. Laufrolle mit Bremse |
| 9. Aschepfannen-Griff | 23. Abdeckung Gaskontrollfeld | 37. Laufrolleneinsatz |
| 10. Aschepfanne mit hohem Fassungsvermögen | 24. Anzündknopf/Anzündmodul | 38. Beinrahmung
Klemmhalterung |
| 11. Radachse | 25. Zusammensetzung Deckel-Luftklappe | 39. Untere Ablage |
| 12. Rahmenhalterung | 26. Zusammensetzung Thermometer | 40. Holzkohleschale |
| 13. Distanzring | 27. Grillschale | 41. Einweg-Tropfschale |
| 14. Anzünder-Kabelhalterung | 28. Tisch | |

Falls Sie Fragen haben oder Beratung hinsichtlich Ihres Grills oder seiner sicheren Verwendung benötigen, loggen Sie sich bitte auf unserer Webseite ein: www.weber.com.

- Die hier zu findenden Anleitungen bieten Ihnen grundsätzliche Hinweise für die Montage Ihres WEBER Grills. Bitte lesen Sie diese Anleitungen aufmerksam vor Inbetriebnahme Ihres WEBER Grills. Unsachgemäße Montage kann gefährlich sein.
- Kindern ist der Gebrauch untersagt.
- Dieser WEBER Grill wurde ausschließlich für den Gebrauch mit Propangas oder einer Propan-/Butangasmischung konstruiert. Verwenden Sie kein Erdgas. Das Ventil und der Regler sind ausschließlich für Propangas oder eine Propan-/Butangasmischung geeignet.
- Dieser WEBER Gasgrill ist nicht für kommerzielle Zwecke bestimmt.
- Das Trinken von Alkohol und/oder die Einnahme von rezeptfreien Medikamenten können die Fähigkeit des Konsumenten beeinträchtigen, das Gerät korrekt zusammenzubauen oder sicher zu bedienen.
- Dieser WEBER Grill ist nicht für den Gebrauch als Heizung bestimmt und sollte niemals als solche verwendet werden.

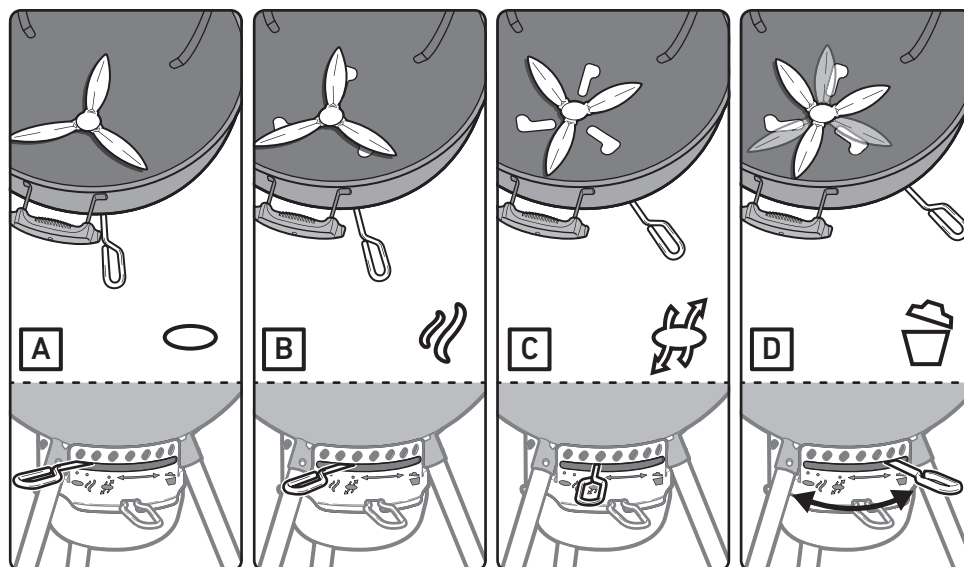
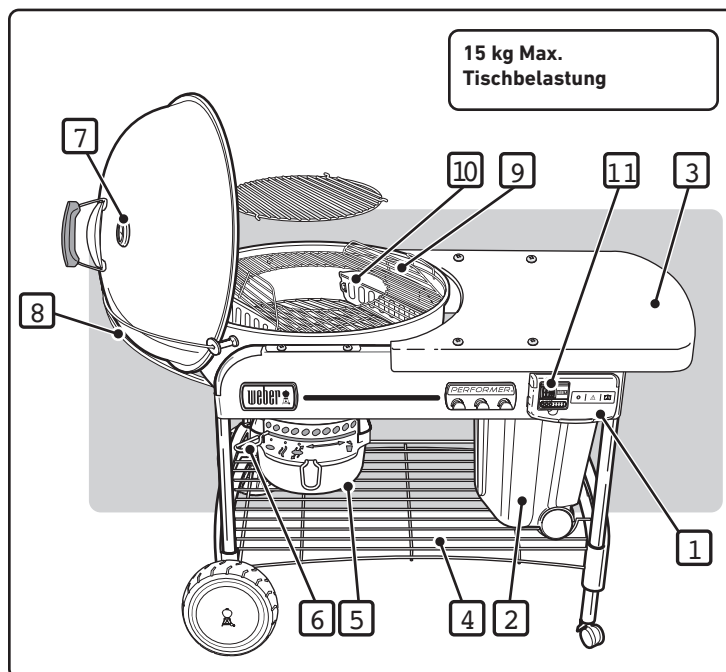
EIGENSCHAFTEN

- Exklusives TOUCH-N-GO Gaszündsystem macht das Anzünden von Holzkohlebriketts zum Kinderspiel (1). Einfach Knopf drücken und gedrückt halten, um den Gasbrenner zu starten, der die Holzkohle für Sie entzündet. Es müssen keine gefährlichen Flüssiganzünder mehr verwendet oder aufbewahrt werden und auch der unangenehme Nachgeschmack gehört der Vergangenheit an.
- CHARBIN Vorratsbehälter bietet Platz für einen Sack Holzkohle mit einem Maximalgewicht von 13,7 kg (2). Der Holzkohlesack sollte direkt in dem CHARBIN Vorratsbehälter verstaut werden.
- Die Arbeitsoberfläche aus Metall bietet einen tollen Arbeitsbereich und deckt den CHARBIN Vorratsbehälter ab, um die Briketts trocken zu halten (3).
- Praktische Ablage unten für zusätzlichen Stauraum (4).
- Aschepfanne mit großem Fassungsvermögen rastet sicher ein und verhindert Verstreuen der Asche (5).
- ONE-TOUCH Reinigungssystem entfernt Asche kinderleicht oder öffnet und schließt die Ventile (6).
- Thermometer überwacht die Grilltemperatur im Inneren des Grills (7).
- TUCK-AWAY Deckel kann in die Edelstahl-Deckelhalterung geschoben werden und dient beim Entzünden der Briketts als Windschutz (8).
- Der aufklappbare Grillrost des GOURMET BBQ SYSTEM (GBS) (9), kann hochgeklappt werden und ermöglicht somit während des Grillens die einfache Zugabe von Briketts oder Holzchips. Wird mit Einsatz für den täglichen Gebrauch geliefert. Kann mit der kompletten Reihe von GOURMET BBQ SYSTEM-Zubehör verwendet werden.
- CHAR-BASKET Holzkohlekorb bietet während des Grillens die praktische Möglichkeit, das Holz oder die Holzkohle indirekt oder direkt zum Grillgut auszurichten (10).
- Digitaler Zeitmesser (11).

- Lassen Sie den WEBER Grill niemals unbeaufsichtigt. Halten Sie Kinder und Haustiere jederzeit vom WEBER Grill fern.
- Keine vom Hersteller versiegelten Einzelteile dürfen vom Benutzer modifiziert werden.
- Jede Modifikation des Gerätes kann gefährlich sein.
- Entfernen Sie den Zylinder, falls: 1) er leer ist; 2) der Grill in einer Garage oder einem anderen, geschlossenen Bereich aufbewahrt werden soll; 3) der Grill transportiert werden soll.

⚠ Verschieben Sie das Gerät nicht, während es in Betrieb ist. Lassen Sie den Grill abkühlen, bevor Sie ihn verschieben.

⚠ Das Gerät ist nicht für den Gebrauch als Heizung bestimmt und sollte niemals als solche verwendet werden.



- DE** A – Lüftungöffnungen geschlossen B – Niedrig und langsam C – Lüftungöffnungen geöffnet
D – Asche entfernen

⚠ HINWEIS: Wenn du Flüssiganzünder verwendest, überprüfe immer die Ascheauffangschale, bevor du die Holzkohle anzündest. Es ist möglich, dass sich etwas Flüssigkeit in der Auffangschale gesammelt hat, die sich beim Anzünden der Holzkohle entzündet und einen Brand verursachen kann. Entferne sämtliche Flüssigkeit aus der Auffangschale, bevor du die Holzkohle anzündest.

ANSCHLIESSEN DER FLÜSSIGGAS-EINWEGKARTUSCHE

Verwenden Sie Flüssiggas-Einwegkartuschen mit einem minimalen Füllgewicht von 430 g und einem maximalen Füllgewicht von 460 g. Die Kartusche muss, wie dargestellt, über ein Ventil EN417 verfügen (Schraubgewinde). Verwendbare Kartuschenarten sind z.B. eine Einwegkartusche WEBER Q Gas (Art.Nr. 26100) oder eine Primus, Modell 2202.

⚠ VORSICHT: Verwenden Sie nur Gaskartuschen mit der Kennzeichnung Propangas oder Propan-Butan-Gemisch.

Drücken Sie die Flüssiggas-Einwegkartusche in den Regler und drehen Sie die Kartusche im Uhrzeigersinn, bis sie fest sitzt.

⚠ WARNHINWEIS: Ziehen Sie die Kartusche nur handfest an. Bei Anwendung zu großer Kraft kann der Regleranschluss beschädigt werden. Dadurch könnte Gas austreten oder der Gasdruck wird zu gering.

PRÜFEN AUF GASLECKS:**⚠ GEFAHRENHINWEIS**

Suchen Sie niemals mit einer offenen Flamme nach Gaslecks. Stellen Sie vor der Überprüfung auf Lecks sicher, dass sich in der Nähe keine Funken bilden können und keine offenen Flammen befinden. Funken oder Flammen können eine Explosion auslösen, die zu schweren oder gar tödlichen Verletzungen und zu Sachschäden führen kann.

Sie benötigen Folgendes: Flüssiggas-Einwegkartusche, eine Seifenlösung und einen Lappen oder eine Bürste zum Auftragen der Lösung.

- Mischen Sie Seife oder Spülmittel in das Wasser.
- Drehen Sie den Gasregler entgegen der Uhrzeigerrichtung auf AN.
- Überprüfen Sie auf Lecks. Befeuchten Sie dazu die Armatur mit der Seifenlösung und schauen Sie nach Blasen. Wenn sich Blasen bilden oder wenn eine Blase größer wird, ist ein Leck vorhanden.

PRÜFEN SIE:

- Verbindung zwischen Regler und Flüssiggas-Einwegkartusche

⚠ WARNHINWEIS: Wenn an Verbindung (1) ein Leck vorhanden ist, bauen Sie die Flüssiggas-Einwegkartusche aus. Betreiben Sie den Grill nicht. Setzen Sie eine andere Flüssiggas-Einwegkartusche ein und prüfen Sie erneut mit Hilfe der Seifenlösung auf Lecks. Wenn auch nach dem erneuten Festschrauben der Flüssiggaskartusche ein Leck vorhanden ist, drehen Sie das Gas AUS. BETREIBEN SIE DEN GRILL NICHT. Wenden Sie sich an den für Sie zuständigen Händler oder Gasinstallateur. Die Kontaktinformationen der Händler finden Sie auf unserer Website unter www.weber.com.

PRÜFEN SIE:

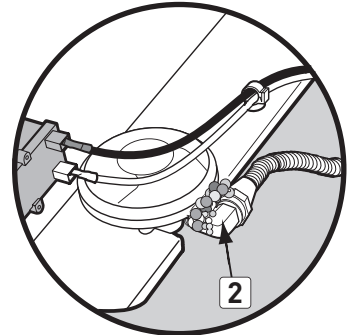
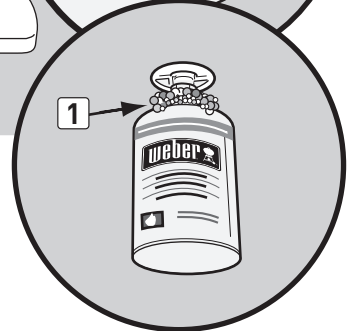
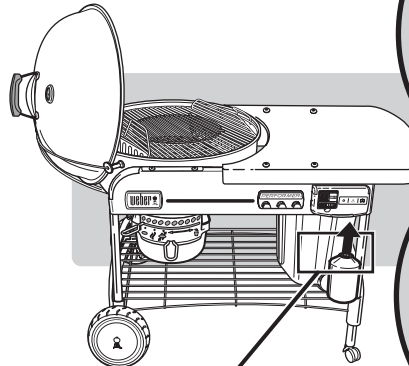
- Verbindungen vom Ventil zum Regler.

⚠ WARNHINWEIS: Wenn an Verbindung (2) ein Leck vorhanden ist, drehen Sie das Gas AUS. BETREIBEN SIE DEN GRILL NICHT. Wenden Sie sich an den für Sie zuständigen Händler. Allgemeine Kontaktinformationen finden Sie auf unserer Website unter www.weber.com.

Drehen Sie nach Beendigung der Lecktests die Gaszufuhr an der Quelle AUS und reinigen Sie die Verbindungen mit Wasser.

⚠ GEFAHRENHINWEIS

Lagern Sie keine Flüssiggaskartusche zur Reserve unter diesem Gerät oder in der Nähe des Geräts.



ZÜNDUNG

⚠ GEFAHRENHINWEIS

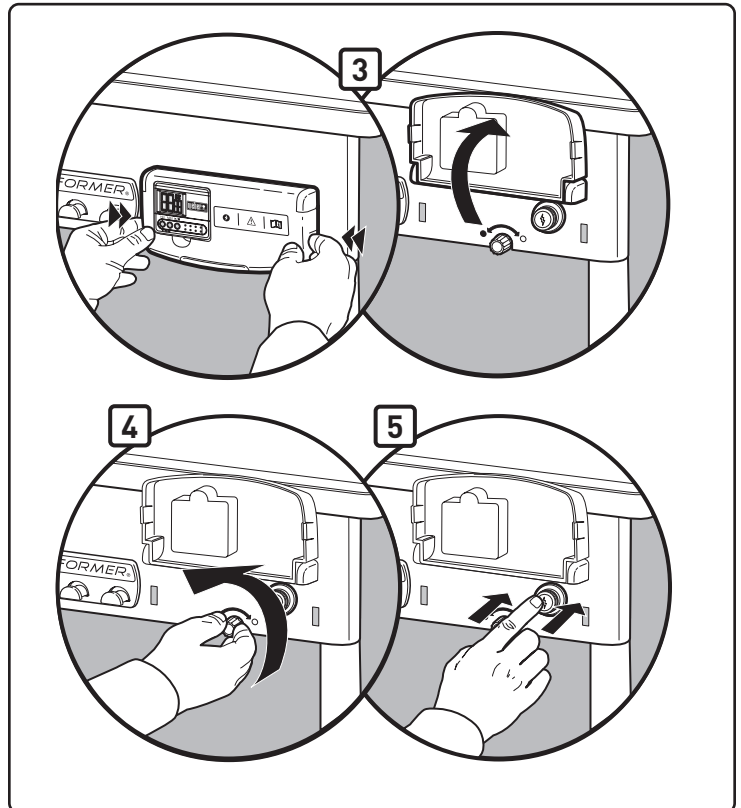
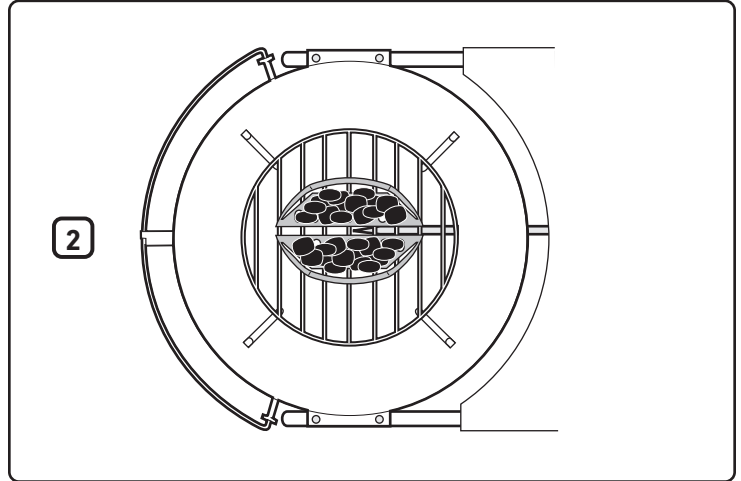
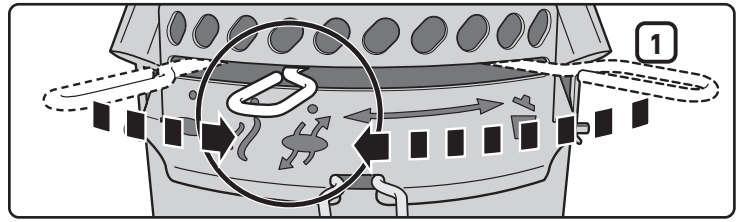
Öffnen Sie vor dem Zünden den Deckel. Verwenden Sie niemals brennbare Flüssigkeiten wie z.B. Grillkohleanzünder, Kraftstoff, Alkohol und keine mit Anzündmittel imprägnierte Holzkohle, auch nicht beim manuellen Zünden. Anderenfalls kann es zu schweren oder gar tödlichen Verletzungen kommen.

- A) Nehmen Sie vor dem Zünden mit Gas den Deckel ab.
- ⚠ GEFAHRENHINWEIS: Anderenfalls kann der Gasschlauch beschädigt werden, und es kann zu einem Brand oder einer Explosion und infolge dessen zu schweren oder gar tödlichen Verletzungen und zu Sachschäden kommen.**
- B) Öffnen Sie die Lüftungsflügel am Boden in der Kugel (1).
- C) Setzen Sie die CHAR-BASKETS über den Brenner (2).
- D) Drücken Sie die Verriegelungen der Abdeckung für den Gasregler ein (3) und heben Sie diese zum Öffnen an.
- E) Drehen Sie die Gaszufuhr mindestens eine volle Drehung auf (entgegen dem Uhrzeigersinn) (4).
- ⚠ WARNHINWEIS: Beugen Sie sich beim Zünden nicht über den offenen Grill.**
- F) Halten Sie den Zündknopf gedrückt, bis der Brenner zündet (5).
- ⚠ ACHTUNG: Im hellen Tageslicht ist die Flamme möglicherweise schwer zu sehen.**
- G) Wenn die Kohle gezündet hat (ca. 5 Minuten), drehen Sie den Gasregler in Stellung AUS (im Uhrzeigersinn), bis er geschlossen ist.
- ⚠ ACHTUNG: Stellen Sie sicher, dass die Abdeckung vollständig geschlossen ist.**
- Hinweis - Längerer Betrieb des Brenners führt zu einem höheren Verbrauch von Gas.*
- H) Sie können mit dem Zubereiten von Speisen beginnen, wenn die Kohlen mit einer leichten Ascheschicht überzogen sind (gewöhnlich nach 25 bis 30 Minuten).

SO LÖSCHEN SIE DIE BRENNER

Drehen Sie den Gasregler in Stellung AUS (im Uhrzeigersinn), bis er geschlossen ist.

- ⚠ Trage Grillhandschuhe (mit einer Kontaktwärmebeständigkeit der Stufe 2 oder höher gemäß DIN EN 407) oder verwende eine Grillzange, um die CHAR-BASKETS über dem Brenner hin- und herzubewegen.**



MANUELLES ZÜNDEN

- ⚠ **WARNUNG:** Versuche nicht, den Grill ohne den Streichholzhalter manuell zu entzünden.

⚠ **GEFAHRENHINWEIS**

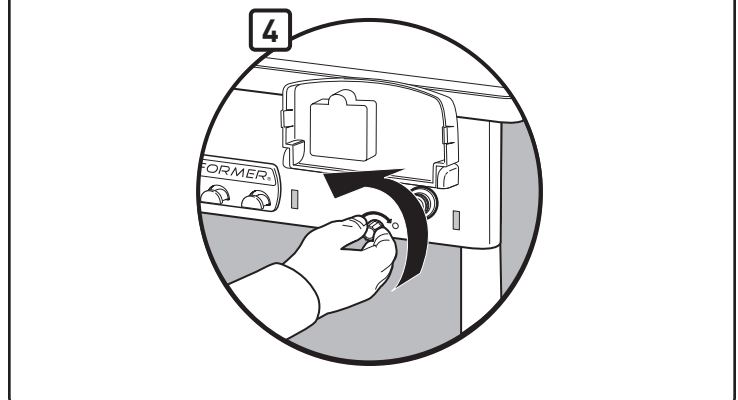
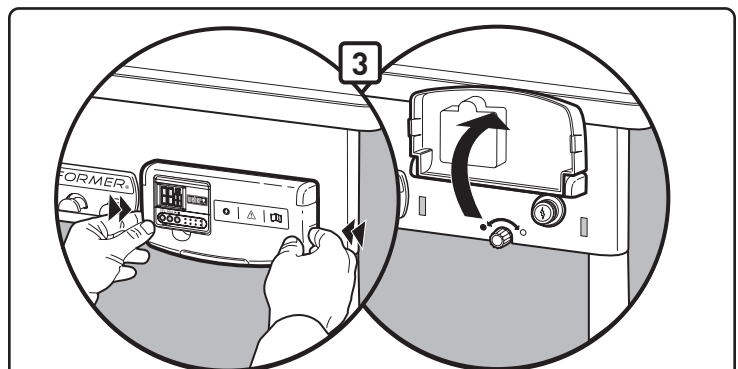
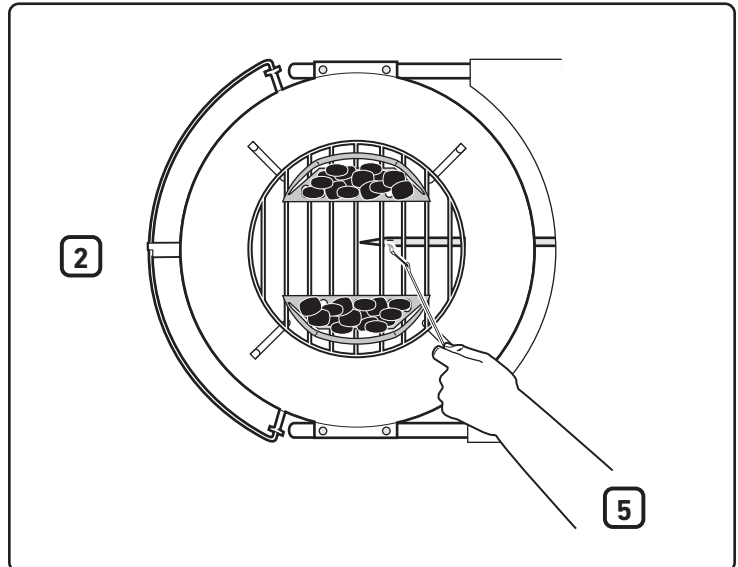
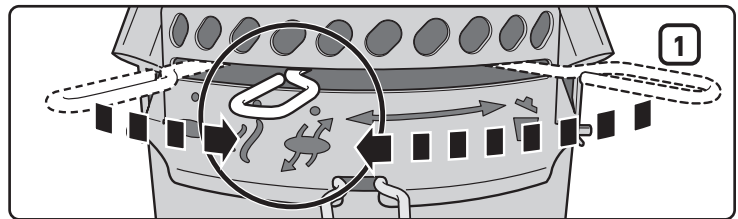
Öffnen Sie vor dem Zünden den Deckel. Verwenden Sie niemals brennbare Flüssigkeiten wie z.B. Grillkohleanzünder, Kraftstoff, Alkohol und keine mit Anzündmittel imprägnierte Holzkohle, auch nicht beim manuellen Zünden. Anderenfalls kann es zu schweren oder gar tödlichen Verletzungen kommen.

- A) Nehmen Sie vor dem Zünden mit Gas den Deckel ab.
- ⚠ **GEFAHRENHINWEIS:** Anderenfalls kann der Gasschlauch beschädigt werden, und es kann zu einem Brand oder einer Explosion und infolge dessen zu schweren oder gar tödlichen Verletzungen und zu Sachschäden kommen.
- B) Öffnen Sie die Lüftungsflügel am Boden in der Kugel (1).
- C) Nehmen Sie die CHAR-BASKETS vom Brenner weg (2).
- D) Drücken Sie die Verriegelungen der Abdeckung für den Gasregler ein (3) und heben Sie diese zum Öffnen an.
- E) Lege ein Streichholz in den Streichholzhalter. Zünde es an.
- F) Drehen Sie die Gaszufuhr mindestens eine volle Drehung auf (entgegen dem Uhrzeigersinn) (4).
- G) Halten Sie die Flamme des Zündholzes an die Rückseite der Brenneröffnung (5).
- ⚠ **WARNHINWEIS:** Halten Sie Ihre Hand beim manuellen Zünden nicht direkt über den Brenner.
- ⚠ **WARNHINWEIS:** Beugen Sie sich beim Zünden nicht über den offenen Grill.
- ⚠ **ACHTUNG:** Im hellen Tageslicht ist die Flamme möglicherweise schwer zu sehen.
- H) Tragen Sie Grillhandschuhe und bringen Sie die CHAR-BASKETS mit Hilfe von Zangen wieder über den Brenner.
- I) Drehen Sie den Gasregler nach dem Anzünden der Holzkohle (nach ca. 5 Minuten) AUS (im Uhrzeigersinn) bis er vollständig geschlossen ist.
- J) Sie können mit dem Zubereiten von Speisen beginnen, wenn die Kohlen mit einer leichten Ascheschicht überzogen sind (gewöhnlich nach 25 bis 30 Minuten).

SO LÖSCHEN SIE DIE BRENNER

Drehen Sie den Gasregler in Stellung AUS (im Uhrzeigersinn), bis er geschlossen ist.

- ⚠ **Trage Grillhandschuhe (mit einer Kontaktwärmebeständigkeit der Stufe 2 oder höher gemäß DIN EN 407) oder verwende eine Grillzange, um die CHAR-BASKETS über dem Brenner hin- und herzubewegen.**



ZEITMESSERBETRIEB

Dieser wasserfeste, digitale Zeitmesser bietet die Möglichkeit zum Vorwärts- und Rückwärtszählen („Countup“ und „Countdown“) in Stunden, Minuten und Sekunden.

Countdown-Zeit einstellen:

- Drücken Sie die **Start/Stop (Start / Stopp): ▶ / ■** -Taste, um die Hintergrundbeleuchtung einzuschalten.
- Drücken Sie die **HR-**aste (1), um die Anzahl der Stunden einzustellen. Halten Sie die Taste gedrückt, um die Zahlen schneller vorzuspulen (maximale Einstellung: 99 Stunden) (4).
- Drücken Sie die **MIN-**Taste (2), um die Anzahl der Minuten einzustellen. Halten Sie die Taste gedrückt, um die Zahlen schneller vorzuspulen (maximale Einstellung: 59 Minuten) (5).
- Sobald Sie die gewünschte Zeit eingestellt haben, drücken Sie die Start/Stop (**Start / Stopp**): ▶ / ■ -Taste (3), um den Countdown zu beginnen.
- Sobald die Zeit abgelaufen ist, ertönt ein 30 Sekunden langes Warnsignal. Anschließend beginnt der Countdown automatisch erneut ab der vorherigen Zeiteinstellung.

WICHTIG

Wenn ein Zeitraum von über einer Stunde verbleibt, blinken sowohl H als auch M (Stunden und Minuten); die Zahlen zählen jede vergehende Minute. Wenn ein Zeitraum von weniger als einer Stunde verbleibt, dann wandeln sich H und M in M und S (Minuten und Sekunden) und von nun an werden die Sekunden gezählt.

Um die Zeiteinstellung zu löschen:

- Drücken Sie die **Start/Stop (Start / Stopp): ▶ / ■** -Taste, um die Hintergrundbeleuchtung einzuschalten.
- Drücken Sie die **HR-** und **MIN-** Tasten gleichzeitig (1)(2).

Countup-Zeit einstellen:

- Drücken Sie die **Start/Stop (Start / Stopp): ▶ / ■** -Taste, um die Hintergrundbeleuchtung einzuschalten.
- Drücken Sie die **Start/Stop (Start / Stopp): ▶ / ■** -Taste ein zweites Mal, um das Zeitzählen zu beginnen. Während die vergehende Zeit gezählt wird, zeigt der Bildschirm die vergehenden Stunden/Minuten bzw. Minuten/Sekunden an.
- Drücken Sie die **Start/Stop (Start / Stopp): ▶ / ■** -Taste zweimal, um den Zeitmesser anzuhalten. Das Zeitzählen stoppt nach 99 Stunden (4), 59 Minuten (5).

Automatisches Abschalten:

- Um Batterien zu sparen, schaltet sich die Hintergrundbeleuchtung nach 10 Sekunden aus. Der Zeitmesser schaltet sich nach 10 Minuten Inaktivität komplett aus.

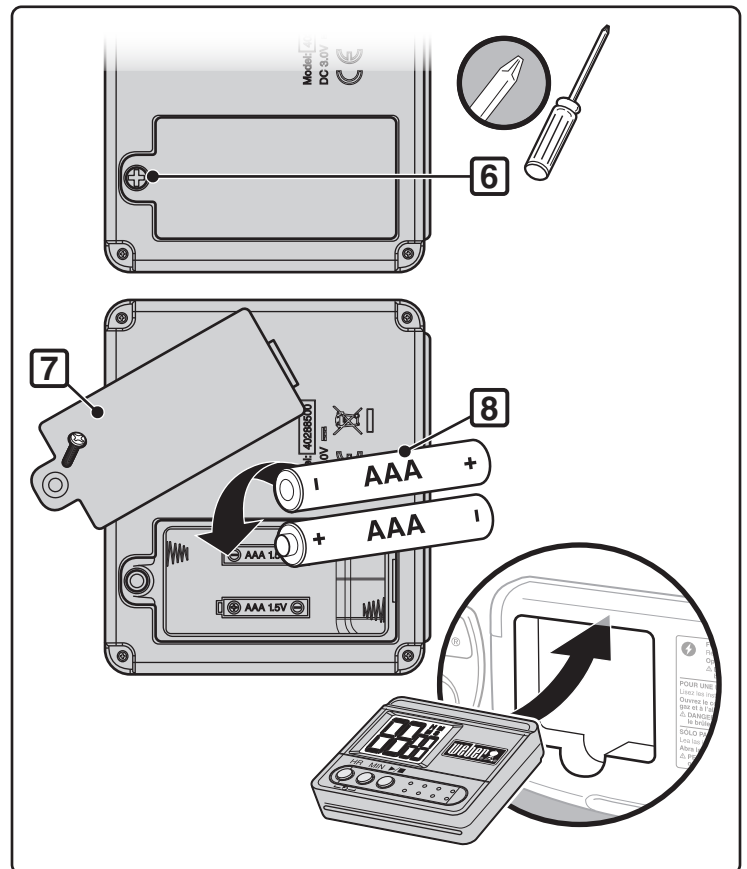
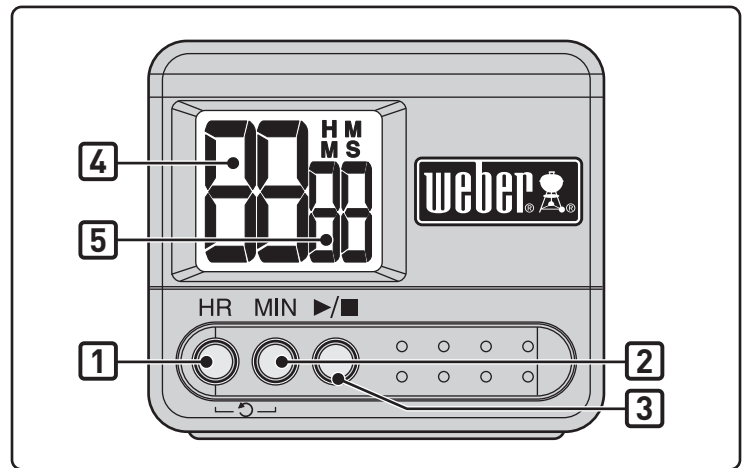
Hinweis: Wird der Zeitmesser in einer Umgebung benutzt, in der er elektrostatischer Entladung (statischer Elektrizität) ausgesetzt ist, wird die Zeiteinstellung möglicherweise gelöscht. In diesem Fall müssen Sie den Zeitmesser neu einstellen.

Einlegen der Batterien:

- Öffnen Sie das Batteriefach auf der Rückseite des Zeitmessers mit einem Kreuzschlitz-Schraubendreher, (6) indem Sie die Schraube im Uhrzeigersinn drehen.
- Nehmen Sie die Abdeckung des Batteriefachs von der Rückseite des Zeitmessers ab (7).
- Legen Sie die AAA-Batterien ein oder ersetzen Sie diese (8).
- Bringen Sie die Abdeckung wieder in Position.
- Verschrauben Sie die Abdeckung des Batteriefachs, indem Sie die Schrauben mit einem Kreuzschlitz-Schraubendreher gegen den Uhrzeigersinn festdrehen.
- Nachdem Sie die Batterien eingelegt haben, wird (0000) auf dem Bildschirm erscheinen.

Pflege:

- Reinigen Sie den Zeitmesser niemals mit einem aggressiven oder ätzenden Reinigungsmittel. Dies könnte den Zeitmesser zerkratzen oder die elektronischen Schaltungen korrodieren.
- Setzen Sie den Zeitmesser nicht übermäßiger Beanspruchung, Erschütterungen, Staub, extrem hohen Temperaturen oder Feuchtigkeit aus. Dies könnte Fehlfunktionen, eine kürzere Lebensdauer der elektronischen Einzelteile, Batterieschäden oder deformierte Einzelteile zur Folge haben.
- Manipulieren Sie keine der innenliegenden Komponenten des Zeitmessers. Dies würde die Garantie des Zeitmessers außer Kraft setzen und kann unnötige



Beschädigungen der Batterien und innenliegenden Einzelteile zur Folge haben.

- Setzen Sie den Zeitmesser weder übermäßig direktem Sonnenlicht noch schweren Regenfällen aus.
- Tauchen Sie den Zeitmesser nicht komplett in Wasser ein.

Für optimale Leistung ist es empfehlenswert, den Zeitmesser bei Nichtgebrauch im Haus aufzubewahren.

PROBLEM	PRÜFEN SIE	ABHILFE
Der Brenner brennt mit einer gelben oder orangefarbenen Flamme, gleichzeitig ist Gasgeruch wahrnehmbar.	Untersuchen Sie den Brenner auf möglicherweise vorhandene Verstopfungen.	Reinigen Sie den Brenner. (Siehe Abschnitt "Wartung".)
Der Brenner zündet nicht oder die Flamme ist schwach.	Ist die Gaskartusche leer oder fast leer?	Tauschen Sie die Gaskartusche aus.
	Ist der Brennstoffschlauch gebogen oder abgeknickt?	Biegen Sie den Brennstoffschlauch gerade.
	Lässt sich der Brenner mit einem Zündholz anzünden?	Wenn Sie den Brenner mit einem Zündholz anzünden können, prüfen Sie das Zündsystem.
	Ist die Verbindung zwischen Schlauch und Brennerrohr ordnungsgemäß gesichert?	Schließen Sie den Gasschlauch mit der mitgelieferten Halteklammer aus Metall an das Brennerrohr an. ⚠ GEFAHRENHINWEIS: Verwenden Sie die Gaszündung nicht, wenn die Halteklammer fehlt. Eine fehlende Halteklammer kann zu schweren und sogar tödlichen Verletzungen und zu Sachschäden führen. Wenden Sie sich an den Kundendienst, um eine Ersatzklammer zu erwerben.
Das Flammenbild des Brenners ist ungleichmäßig.	Ist der Brenner sauber?	Reinigen Sie den Brenner. (Siehe Abschnitt "Wartung".)
Brenner zündet nicht, wenn Sie den Zündknopf drücken.	Stellen Sie sicher, dass ein Gasstrom zu den Brennern vorhanden ist, indem Sie versuchen, mit einem Zündholz zu zünden. Siehe Abschnitt "MANUELLE ZÜNDUNG."	Lässt sich der Brenner manuell zünden, liegt ein Problem mit dem Zündsystem vor. Siehe Abschnitt "BEDIENUNG DES ELEKTRONISCHEN ZÜNDSYSTEMS."
	Ist eine neue Batterie eingesetzt?	Kontrollieren Sie, ob sich die Batterie in gutem Zustand befindet und ordnungsgemäß eingesetzt ist. Siehe Abschnitt "KONTROLLE DER ELEKTRONISCHEN ZÜNDUNG."
	Sind die Kabel ordnungsgemäß an das Zündmodul angeschlossen?	Stellen Sie sicher, dass die Kabel ordnungsgemäß in die Klemmen am Zündmodul eingesteckt sind. Siehe Abschnitt "BEDIENUNG DES ELEKTRONISCHEN ZÜNDSYSTEMS."
	Ist die neue Batterie noch in Kunststoff verpackt?	Entfernen Sie die Kunststoffverpackung.
Der Timer funktioniert nicht.	Wurden neue Batterien eingelegt?	Vergewissern Sie sich, dass die Batterien in guten Zustand sind und richtig eingelegt wurden. Lesen Sie unter „ZEITMESSERBETRIEB“ nach.
Das Innere des Deckels scheint "abzublättern" (ähnlich wie beim Ablättern von Farbe).	Was Sie da sehen, ist angebackener Fettdampf, der sich in Kohlenstoff verwandelt und abblättert. ES HANDELT SICH HIERBEI NICHT UM EINEN DEFEKT.	Reinigen Sie diese Teile gründlich. (Siehe Abschnitt "Reinigen".)

Wenn ein Problem auftritt, das Sie nicht mit einer der hier angegebenen Methoden lösen können, wenden Sie sich bitte an den für Sie zuständigen Händler. Allgemeine Kontaktinformationen finden Sie auf unserer Website unter www.weber.com.

WARTUNG

Führen Sie nach längerem Nichtgebrauch des Grills aus Sicherheitsgründen die folgenden Wartungsarbeiten aus.

- Überprüfen Sie vor jeder Nutzung des Grills den Schlauch auf Knicke, Risse, Abnutzung oder Einschnitte. Wenn Sie erkennen, dass der Schlauch nicht verwendet werden sollte, dürfen Sie den Grill nicht benutzen. Ersetzen Sie Teile nur durch WEBER zugelassene Ersatzteile. **Wenden Sie sich an den für Sie zuständigen Händler oder Gasinstallateur. Die Kontaktinformationen der Händler finden Sie auf unserer Website unter www.weber.com.**

⚠ ACHTUNG: Wenn der Gasschlauch des Grills irgendwelche Schäden aufweist oder undicht ist, dürfen Sie den Grill nicht verwenden.

- Überprüfen Sie den Brenner auf ein korrektes Flammenmuster (siehe Abschnitt "Muster der Brennerflamme"). Reinigen Sie den Brenner gegebenenfalls anhand des in diesem Abschnitt beschriebenen Verfahrens.
- Überprüfen Sie alle Gasanschlüsse auf Lecks (siehe Abschnitt "Überprüfen auf Gaslecks").

REGELMÄSSIGE REINIGUNG

Zum Entfernen der Asche aus der Kugel bewegen Sie den Regulierungshebel (1) von Seite zu Seite, damit die One-Touch-Flügel die Asche durch die Schlitze der Kugel in den Aschetopf schieben.

⚠ ACHTUNG: Stellen Sie vor dem Reinigen sicher, dass der Brenner AUS und der Grill abgekühlt ist.

Erweitern Sie die Brennerschlitze beim Reinigen nicht.

So reinigen Sie den Brenner:

- Bürsten Sie die Außenseite des Brennerrohres (2) und den Brennerschlitz (3) mit einer Drahtbürste ab.

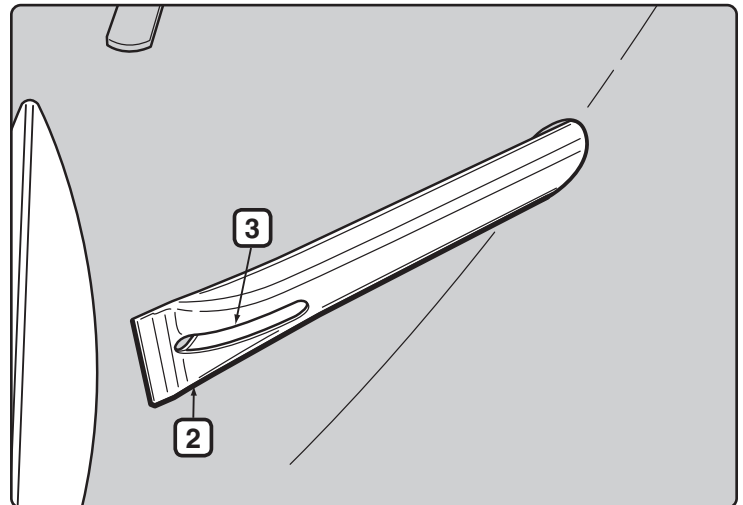
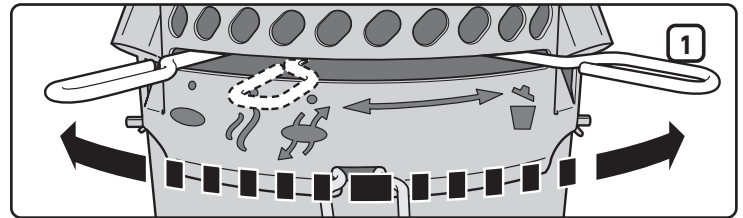
⚠ ACHTUNG: Erweitern Sie die Brennerschlitze oder die Gasdüse beim Reinigen nicht.

So reinigen Sie den Kessel:

- Wischen Sie, wenn der Deckel noch warm ist, die Innenseite mit einem Papiertuch aus, um dauerhafte Fettablagerung zu verhindern.
- Die Außenflächen können Sie mit warmem Seifenwasser reinigen. Spülen Sie mit klarem Wasser gut nach.

So nehmen Sie eine gründliche Reinigung vor (mindestens einmal jährlich):

- Entnehmen Sie die Asche, nachdem die Kohle vollständig erloschen ist.
- Entnehmen Sie die Roste und die CHAR-BASKETS-Kohlekörbe.
- Wischen Sie die Flächen mit Papiertüchern ab. Reinigen Sie mit einem milden Reinigungsmittel und Wasser. Spülen Sie gründlich mit klarem Wasser nach und trocknen Sie die Flächen ab.



AUFBEWAHRUNG

- Wenn der Performer-Grill in einem Gebäude aufbewahrt wird, muss die Gaszufuhr abgetrennt werden. Die Flüssiggaskartusche muss außerhalb von Wohngebäuden an einem gut belüfteten Ort aufbewahrt werden.
- Flüssiggaskartuschen müssen außerhalb von Wohngebäuden an einem gut belüfteten Ort und außerhalb der Reichweite von Kindern aufbewahrt werden. Die Kartuschen dürfen nicht in einem Gebäude, einer Garage oder an ähnlichen geschlossenen Orten aufbewahrt werden.
- Prüfen Sie nach längerer Lagerung oder längerem Nichtgebrauch den Grill vor der Nutzung auf Gaslecks und Verstopfungen in den Brennerrohren (siehe Abschnitt "Wartung").
- Überprüfen Sie vor der Nutzung, dass die Bereiche um den Gasbehälter, den Schlauch und die Brennerbaugruppe frei von Verschmutzungen sind, welche die Zirkulation der Verbrennungsluft oder der Ventilationsluft behindern könnten.

VORSICHT BEI INSEKTEN

Ihr Performer-Grill ist, wie alle für die Verwendung im Freien vorgesehenen Gasgeräte, ein Ziel für Spinnen und Insekten. Diese Tiere können sich im Venturiteil (1) des Brennerrohres einnisten und dazu führen, dass das Gas zurück und aus der Zuluftöffnung strömt.

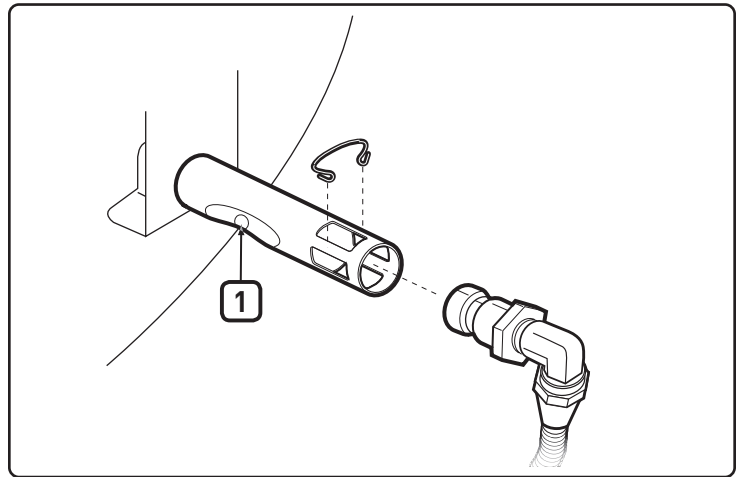
Dies kann zu einem Brand im Brennerrohr und um das Brennerrohr unter dem Tisch führen. Dadurch können ernsthafte Schäden an Ihrem Grill entstehen. Der Betrieb des Grills ist dann möglicherweise nicht mehr sicher.

Wir empfehlen dringend, dass Sie das Brennerrohr mindestens einmal jährlich oder beim Auftreten eines der folgenden Symptome überprüfen und reinigen:

- A) Gasgeruch bei sehr gelber und schwacher Brennerflamme.
- B) Brenner gibt untypische Geräusche von sich.

⚠ GEFAHRENHINWEIS

Wenn Sie diese Symptome nicht beheben, kann es zu einem Brand kommen, der zu schweren oder gar tödlichen Verletzungen und zu Sachschäden führen kann.

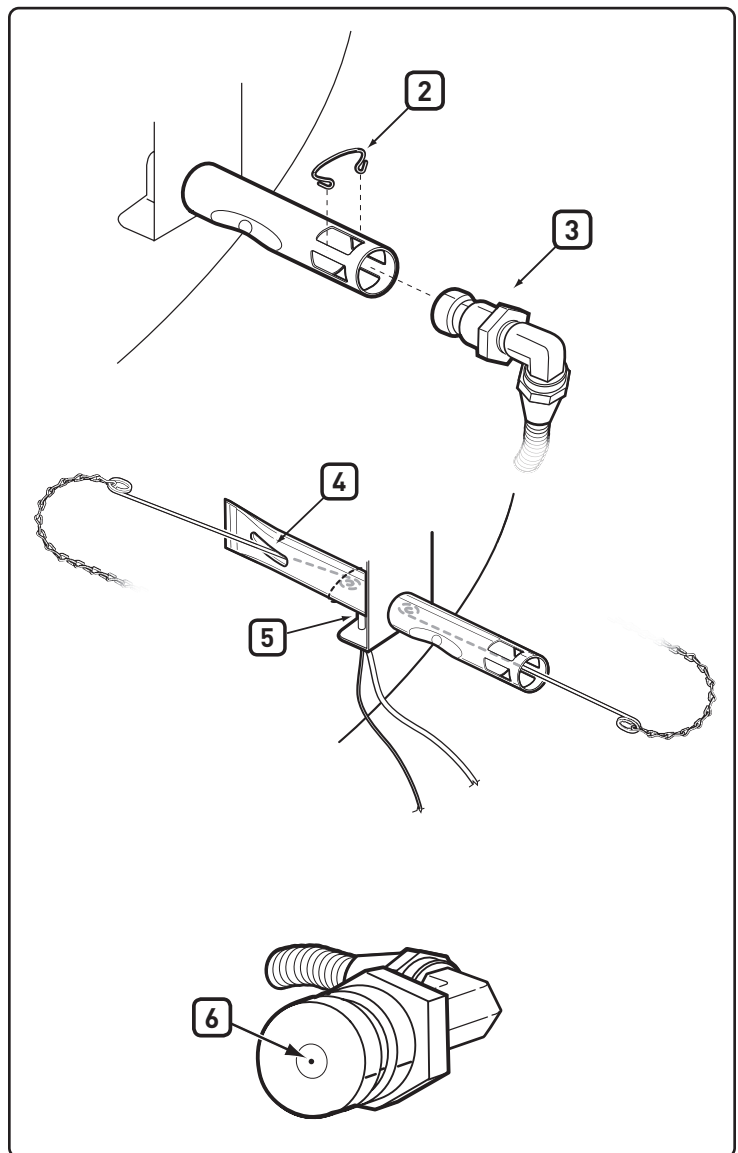


ÜBERPRÜFEN UND REINIGEN DES BRENNERS

- A) Drehen Sie das Gas AUS.
- B) Entfernen Sie den CHARBIN-Vorratsbehälter.
- C) Entfernen die Düsenklammer (2) und den Schlauchanschluss (3) vom Brennerrohr.
- D) Schauen Sie sich mit einer Taschenlampe das Innere des Brenners an.
- E) Reinige die Innenseite des Brenners mit dem Streichholzhalter aus Draht (dieser befindet sich hinter dem WEBER-Logoschild).
Reinigen Sie mit dem Draht den Luftklappenbereich, das Venturiteil und die Brennerschlitze (4) an der Innenseite der Kugel. Achten Sie beim Einführen des Brennerreinigers darauf, dass Sie die Zündelektrode (5) nicht beschädigen.
- F) Überprüfen Sie nochmals mit der Taschenlampe, dass keine Verstopfungen mehr vorhanden sind.
- G) Die Oberfläche des Schlauchanschlusses können Sie gegebenenfalls mit einer Messingdrahtbürste reinigen. Die Düse (6) können Sie mit einer dünnen Nadel reinigen.

⚠ ACHTUNG: Erweitern Sie die Düsen beim Reinigen nicht.

- H) Für den Zusammenbau führen Sie die Schritte B und C in umgekehrter Reihenfolge aus.

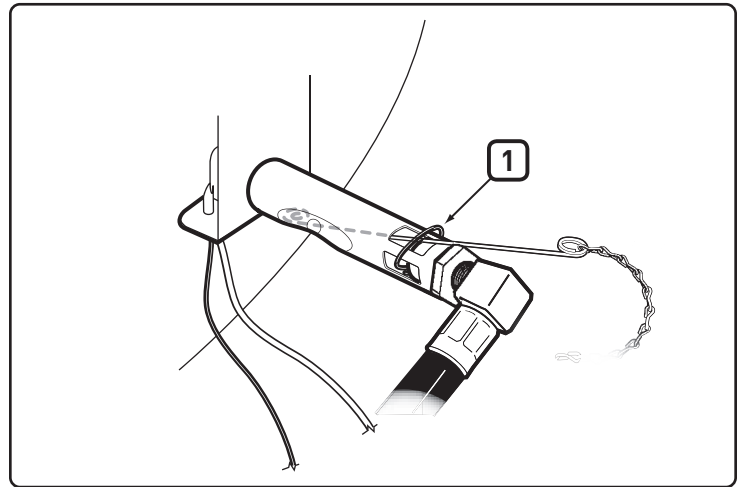


REGELMÄSSIGE SCHNELLREINIGUNG

Wir empfehlen, in regelmäßigen Abständen die Brennerschlitze von außen mit einer Drahtbürste abzubürsten und das Brennerrohr mit dem mitgelieferten Zündholzhalter durch die Brenneröffnung zu reinigen.

Führen Sie dazu das Werkzeug durch die einzelnen Verbrennungsluftklappen (1) unter der Kugelklammer ein und drehen Sie dabei das Werkzeug. Beim Einsetzen des Zündholzhalters darauf achten, dass die Zündelektrode nicht beschädigt wird.

⚠ ACHTUNG: Es ist wichtig, dass Sie dieses Reinigungsverfahren während der Frühjahrs- und Sommermonate öfters durchführen.

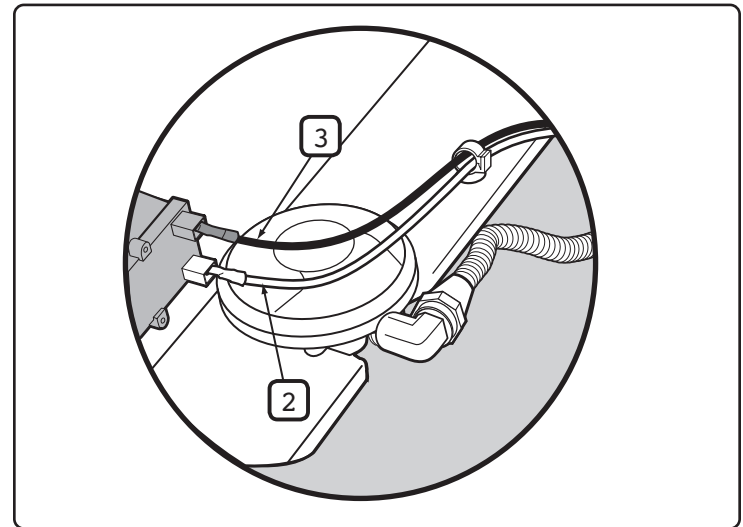


KONTROLLE DER ELEKTRONISCHEN ZÜNDUNG

Wenn das elektronische Zündsystem nicht zündet, prüfen Sie bitte, ob ein Gasstrom vorhanden ist, indem Sie versuchen, die Brenner mit einem Zündholz zu zünden. Siehe hierzu den Abschnitt "ZÜNDE VON HAND". Lässt sich der Brenner manuell zünden, liegt ein Problem mit der elektronischen Zündung vor.

⚠ WARNUNG: An Gasregler und Zufuhrventil muss die Stellung AUS eingestellt sein.

- Kontrollieren Sie, ob sich die AAA-Batterie (nur Alkali) in gutem Zustand befindet und richtig eingesetzt ist (1). Einige Batterien besitzen eine Kunststoff-Schutzumwicklung. Dieser Kunststoff muss entfernt werden. Verwechseln Sie die Kunststoff-Schutzumwicklung nicht mit dem Batterieetikett.
- Vergewissern Sie sich, dass das weiße (2) und das schwarze (3) Zündkabel vorschriftsgemäß angeschlossen sind.
- Vergewissern Sie sich, dass der Taster der elektronischen Zündung ordnungsgemäß funktioniert; Sie müssen ein Klicken hören und Funken am Brenner sehen.
- Sehen Sie nach, ob der Zünder lose im Rahmen sitzt. Ziehen Sie ihn fest, falls erforderlich; das entsprechende Verfahren ist im Schritt "Einbau" beschrieben.



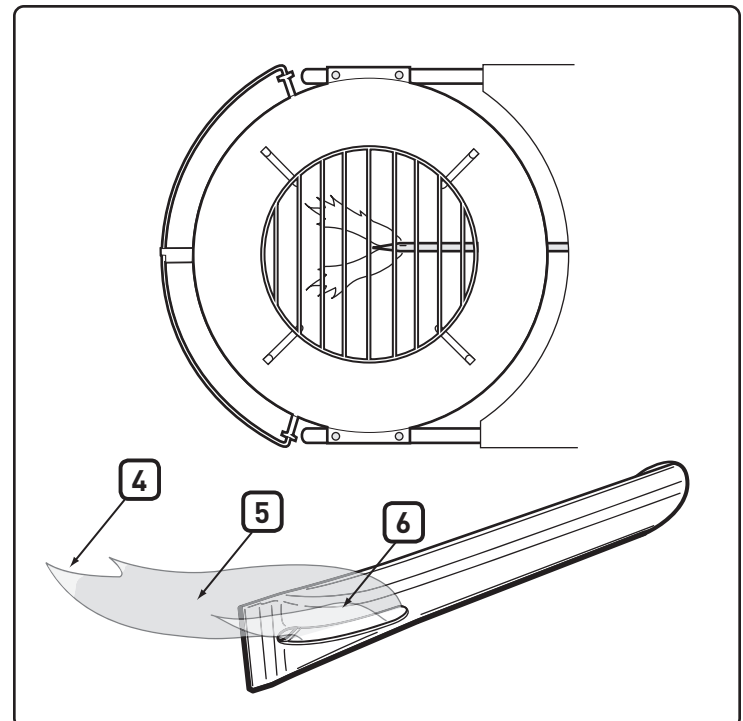
Ersetzen Sie Die Batterie, Falls Erforderlich

Nur Alkalibatterie des Typs AAA.

Wenden Sie sich an den für Sie zuständigen Händler, falls Sie das elektronische Zündsystem nicht zünden können. Allgemeine Kontaktinformationen finden Sie auf unserer Website. Melden Sie sich an unter www.weber.com.

MUSTER DER BRENNERFLAMME

Der Brenner wurde werkseitig auf die korrekte Luft-Gas-Mischung eingestellt. Ein korrektes Flammenmuster sollte gelbe Spitzen aufweisen (4), in der Mitte dunkelblau (5) und am Brennerrohr hellblau sein (6). Wenn die Flamme nicht wie dargestellt aussieht oder ein untypisches Geräusch auftritt, nehmen Sie eine Reinigung des Brenners vor.



⚠ ACHTUNG: Dieses Produkt wurde einem Sicherheitstest unterzogen, die Betriebsgenehmigung gilt nur in dem entsprechenden Land. Informationen mit der Länderkennzeichnung finden Sie an der Außenseite des Kartons.

Diese Bauteile sind gasführende oder gasbrennende Komponenten. Wenden Sie sich bezüglich Informationen zu Originalersatzteilen von Weber-Stephen Products LLC an die Kundendienstabteilung von Weber-Stephen Products LLC.

⚠ WARNHINWEIS: Versuchen Sie nicht, Reparaturen an gasführenden oder gasbrennenden Komponenten ohne Rücksprache mit der Kundendienstabteilung von Weber-Stephen Products LLC durchzuführen. Ihre Maßnahmen können bei Nichtbeachtung dieses Warnhinweises einen Brand oder eine Explosion verursachen. Dadurch kann es zu ernsthaften Verletzungen, zu tödlichen Unfällen und zu Sachschäden kommen.



WEBER-STEPHEN PRODUCTS LLC
www.weber.com

PERFORMER DELUXE

Handleiding barbecue op briketten

Lees de gebruiksaanwijzing voordat u de barbecue gaat gebruiken.

Montage -  p. 6

U MOET DEZE HANDLEIDING LEZEN VOOR HET GEBRUIK VAN UW GASBARBECUE

GEVAAR

Wanneer u gas ruikt:

1. Sluit het gas naar de barbecue af.
2. Doof eventuele vlammen.
3. Open het deksel.
4. Wanneer de gaslucht niet verdwijnt, bewaar dan afstand tot de barbecue en neem direct contact op met de gasleverancier of de brandweer.

Lekkend gas kan brand of explosie veroorzaken, met ernstig of fataal lichamelijk letsel of beschadigingen van eigendommen tot gevolg.

WAARSCHUWING:

1. Bewaar of gebruik geen benzine of andere ontvlambare gassen of vloeistoffen in de buurt van deze of andere barbecues.
2. Een gascilinder die niet is aangesloten voor gebruik, mag niet in de buurt van deze of andere barbecues worden bewaard.

 **WAARSCHUWING:** controleer de barbecue eerst zorgvuldig op lekkage aan de hand van de instructies in deze handleiding voordat u de barbecue gebruikt. Voer deze controles ook uit wanneer de barbecue bij de dealer gemonteerd is.

 **WAARSCHUWING:** De Weber gasbarbecue niet aansteken voordat u de aanwijzingen voor het "aansteken" in deze handleiding hebt gelezen.

INFORMATIE VOOR HET INSTALLEREN:
Deze handleiding is bedoeld voor de eigenaar en wij raden u aan om deze goed te bewaren.

ALLEEN VOOR GEBRUIK BUITENSHUIS.

NL



HET NIET IN ACHT NEMEN VAN DEZE WAARSCHUWINGEN KAN RESULTEREN IN ERNSTIG LICHAAMELIJK LETSEL OF OVERLIJDEN, OF IN EEN BRAND OF EXPLOSIE DIE TOT MATERIËLE SCHADE LEIDT.

- ⚠ VEILIGHEIDSSYMBOLLEN (⚠) maken u attent op belangrijke informatie met betrekking tot de VEILIGHEID.
- ⚠ De signaalwoorden GEVAAR, WAARSCHUWING of LET worden gebruikt samen met het VEILIGHEIDSSYMBOL.
- ⚠ GEVAAR geeft het meest ernstige risico aan.
- ⚠ Lees alle veiligheidsinformatie in deze gebruiksaanwijzing door voordat u deze grill gaat gebruiken.

⚠ GEVAREN

- ⚠ Gebruik deze grill niet onder een brandbare overkapping.
- ⚠ Onjuiste montage kan gevaarlijk zijn. Volg de montage-instructies in deze handleiding. Gebruik de grill niet tenzij alle onderdelen op hun plek zitten. Controleer of de asopvanger correct aan de poten onder de kom van de grill is bevestigd of dat de asopvangeenheden met grote capaciteit op zijn plek zit voordat u de grill aansteekt.
- ⚠ Er mogen zich nooit brandbare materialen bevinden op een afstand van minder dan 60 cm van de boven- en onderkant, de achterkant of de zijkanten van de grill.
- ⚠ Leun nooit over de grill heen terwijl u de gasbrander aansteekt.
- ⚠ Gebruik de grill niet als het hard waait.
- ⚠ Bedien de grill niet als er een gaslek aanwezig is.
- ⚠ Gebruik geen vlam om te controleren op gaslekken.
- ⚠ Als de brander op enig moment uitgaat tijdens het gebruik, sluit u het tankventiel af. Verwijder het deksel en wacht vijf minuten voordat u de brander opnieuw probeert aan te steken aan de hand van de instructies voor aansteken in deze handleiding.
- ⚠ Probeer niet om de gasreguleur los te koppelen van de tank of een gasaansluiting terwijl de grill in gebruik is.
- ⚠ Gebruik uitsluitend de gasreguleur die is meegeleverd met uw grill.

⚠ WAARSCHUWINGEN

- ⚠ Volg de instructies voor het aansluiten van de reguleur voor uw type gasgrill.
- ⚠ Sla geen reserveflessen of losgekoppelde gasflessen op onder of in de buurt van de grill.
- ⚠ Plaats de grill te allen tijde op een stevige vlakke ondergrond, uit de buurt van brandbare materialen.
- ⚠ Plaats geen grilldeksel of enig brandbaar voorwerp op of in de opslagruimte onder de grill.
- ⚠ Verwijder altijd het deksel voordat u de gasbrander aansteekt, ongeacht of dit handmatig of via de ontsteker gebeurt. Het deksel MOET VAN DE GRILL BLIJVEN totdat de houtskool volledig is opgebrand.
- ⚠ Gebruik geschikt kookgerei om te grillen, met lange, hittebestendige handgrepen.
- ⚠ Sommige modellen zijn mogelijk uitgerust met de TUCK-AWAY dekselhouder. De TUCK-AWAY dekselhouder wordt gebruikt voor het opbergen van het deksel terwijl u uw voedingsmiddelen controleert of omdraait. Gebruik de TUCK-AWAY dekselhouder niet als handgreep voor het optillen of verplaatsen van de grill. Plaats een heet deksel niet op tapijt of gras. Hang het deksel niet aan de handgreep van de kom.
- ⚠ Ga voorzichtig om met hete elektrische starters en berg deze zorgvuldig op.
- ⚠ Houd elektrische draden en voedingskabels uit de buurt van de hete oppervlakken van de grill en uit de buurt van plekken waar veel mensen komen.
- ⚠ Controleer na een periode van opslag en/of niet-gebruik op gaslekken en verstoppingen van de brander voordat u het apparaat gaat gebruiken. Zie de instructies in deze handleiding voor de juiste procedures.
- ⚠ Het ombouwen van de grill of het ondernemen van pogingen om aardgas te gebruiken bij de grill is gevaarlijk en maakt uw garantie ongeldig.
- ⚠ Een wegwerptank voor vloeibaar propaangas die gedeukt of roestig is kan gevaarlijk zijn en dient te worden gecontroleerd door uw gasleverancier. Gebruik geen wegwerptank voor vloeibaar propaangas met een beschadigd ventiel.
- ⚠ Hoewel uw wegwerptank voor vloeibaar propaangas mogelijk leeg lijkt, kan deze nog steeds gas bevatten. De wegwerptank voor vloeibaar propaangas dient op passende wijze te worden vervoerd en opgeslagen.
- ⚠ Gebruik hittebestendige barbecuewanten of -handschoenen (in overeenstemming met EN 407, contacthitteniveau 2 of hoger) bij het koken, afstellen van de luchtopeningen (ventilatoeroosters), toevoegen van houtskool en hanteren van de thermometer of het deksel.
- ⚠ Als u gas ziet, ruikt of hoort ontsnappen uit de wegwerptank voor vloeibaar propaangas:
 1. Beweeg u uit de buurt van de wegwerptank voor vloeibaar propaangas.
 2. Probeer niet het probleem zelf te verhelpen.
 3. Bel de brandweer.

⚠ "LET OP"-MELDINGEN

- ⚠ Als u de kom met aluminiumfolie bekleedt, wordt de luchtcirculatie verstoord. Gebruik in plaats daarvan een druippan om druipt van vlees op te vangen tijdens de bereiding via de indirecte methode.
- ⚠ Als u scherpe voorwerpen gebruikt voor het reinigen van het bakrooster of voor het verwijderen van as raakt de afwerklaag beschadigd.
- ⚠ Bij gebruik van schuurmiddelen op de bakroosters of de grill zelf raakt de afwerklaag beschadigd.
- ⚠ De grill dient regelmatig grondig te worden schoongemaakt.

Hartelijk dank voor uw aankoop van een WEBER-product. 1415 S. Roselle Road, Palatine, Illinois 60067 USA ("WEBER") beroemt zich op zijn veilige, duurzame en betrouwbare producten. Deze vrijwillige garantie van WEBER wordt kosteloos aan u verstrekt. Hierin vindt u alle informatie die u nodig hebt voor reparatie van uw WEBER-product in het onwaarschijnlijke geval van storingen of defecten.

Krachtens geldende wetgeving heeft de klant een aantal rechten indien het product defect is. Deze rechten omvatten aanvullende service of vervanging, reductie van de aankoopprijs en compensatie. Binnen de Europese Unie is dit bijvoorbeeld, een tweejarige wettelijke garantie met ingang van de datum waarop het product wordt overgedragen. Deze garantie heeft geen invloed op deze en overige wettelijke rechten. Deze garantie kent zelfs aanvullende rechten toe aan de eigenaar, buiten de wettelijke garantiebepalingen.

VRIJWILLIGE GARANTIE VAN WEBER

WEBER biedt de koper van het WEBER-product (of, indien sprake is van een geschenk of promotieactie, de persoon voor wie het als geschenk of promotie-item is gekocht) de garantie dat het WEBER-product vrij is van defecten in materiaal en fabricage gedurende de hieronder aangegeven periode(n), onder voorbehoud van montage en gebruik in overeenstemming met de bijbehorende gebruikershandleiding. (Opmerking: als u de gebruikershandleiding van uw WEBER-product verliest of kwijt raakt, kunt u een vervangend exemplaar aanvragen via www.weber.com of op de landspecifieke website waarnaar u wordt doorverwezen.) Bij normaal gebruik en onderhoud bij een eengezinswoning of appartement zal WEBER binnen het kader van deze garantie defecte onderdelen repareren of vervangen met inachtneming van de hieronder aangegeven perioden, beperkingen en uitzonderingen. VOOR ZOVER DIT KRACHTENS GELDENDE WETGEVING MOGELIJK IS, WORDT DEZE GARANTIE SLECHTS AAN DE OORSPRONKELIJKE KOPER VERSTREKT EN KAN DEZE GARANTIE NIET WORDEN OVERGEDRAGEN OP VOLGENDE EIGENAREN, BEHALVE INDIEN SPRAKE IS VAN GESCHENKEN EN PROMOTIEACTIES ZOALS HIERBOVEN VERMELD.

VERANTWOORDELIJKHEDEN VAN DE EIGENAAR IN HET KADER VAN DEZE GARANTIE

Voor een probleemloze garantiestedking is het belangrijk (maar niet verplicht) om uw WEBER-product online te registreren op www.weber.com of op de landspecifieke website waarnaar u wordt doorverwezen. Bewaar ook uw originele aankoopbon en/of factuur. Door uw WEBER-product te registreren, bevestigt u de garantiestedking en wordt het mogelijk voor WEBER om indien nodig contact met u op te nemen.

Bovenstaande garantie is alleen van toepassing wanneer de eigenaar zorgvuldig met het WEBER-product omgaat door alle montage-instructies, gebruiksinstructies en aanwijzingen voor preventief onderhoud op te volgen zoals beschreven in de bijbehorende gebruikershandleiding, tenzij de eigenaar kan bewijzen dat het defect of de storing niets te maken heeft met het zich niet houden aan bovenstaande verplichtingen. Als u in een kustgebied woont of uw product in de buurt van een zwembad is geplaatst, behoort het regelmatig schoonmaken en afspolven van de buitenkant van het product tot het regulier onderhoud, zoals beschreven in de bijbehorende gebruikershandleiding.

GARANTIEAFHANDELING/GARANTIEUITSLUITING

Als u denkt dat een onderdeel wordt gedekt door deze garantie, neemt u contact op met de klantenservice van WEBER. Hiervoor kunt u gebruikmaken van de contactgegevens op onze website (www.weber.com) of de landspecifieke website waarnaar u wordt doorverwezen. WEBER zal defecte onderdelen die worden gedekt door deze garantie na onderzoek naar eigen goeddunken repareren of vervangen. Ingeval reparatie of vervanging niet mogelijk is, kan WEBER ervoor kiezen (naar eigen goeddunken) om de barbecue te vervangen door een nieuwe barbecue van gelijke of grotere waarde. WEBER kan u vragen om onderdelen (voldoende gefrankeerd) op te sturen voor inspectie.

Deze GARANTIE vervalt indien er sprake is van schade, slijtage, verkleuringen en/of roest waarvoor WEBER niet verantwoordelijk is en welke is veroorzaakt door:

- misbruik, oneigenlijk gebruik, wijziging, modificatie, verkeerd gebruik, vandalisme, verwaarlozing, onjuiste montage of installatie of het niet naar behoren uitvoeren van normaal en routineonderhoud;
- insecten (zoals spinnen) en knaagdieren (zoals eekhoorns), met inbegrip van maar niet beperkt tot schade aan de branderbuizen en/of gaslangen;
- blootstelling aan zoute lucht en/of chloor afkomstig van bijvoorbeeld zwembaden, bubbelbaden en thermale baden;
- ernstige weersinvloeden zoals hagel, orkanen, aardbevingen, tsunamis, hoogwater, tornado's of zware stormen.

Bij gebruik en/of installatie van niet-originele onderdelen op uw WEBER-product komt deze garantie te vervallen en wordt eventuele daaruit voortvloeiende gevolgschade niet gedekt door deze garantie. Wanneer u een gasbarbecue zonder toestemming van WEBER of door een niet door WEBER geautoriseerde onderhoudstechnicus laat ombouwen voor andere brandstoffen, vervalt deze garantie.

GARANTIETERMIJNEN PRODUCT

Deksel, ketel en middelste ring:
10 jaar tegen doorroesten/doorbranden

ONE-TOUCH reinigingssysteem:
5 jaar tegen doorroesten/doorbranden

Kunststof onderdelen:
5 jaar, met uitzondering van vervagen of verkleuring

Alle resterende onderdelen:
2 jaar

VRIJWARINGEN

AFGEZIEN VAN DE GARANTIE EN VRIJWARINGEN BESCHREVEN IN DEZE GARANTIEVERKLARING, WORDT UITDRUKKELIJK GEEN VERDERE GARANTIE OF VRIJWILLIGE AANSPRAKELIJKSTELLING GEGEVEN WELKE VERDER GAAT DAN DE WETTELIJKE AANSPRAKELIJKHEID DIE OP WEBER VAN TOEPASSING IS. SITUATIES OF AANSPRAKEN WAARBIJ WEBER VOLGENS DE WET VERPLICHTE AANSPRAKELIJKHEID HEEFT, WORDEN NIET BEPERKT OF UITGESLOTEN DOOR DEZE GARANTIEVERKLARING.

NA DE BETREFFENDE PERIODEN VAN DEZE GARANTIE IS GEEN GARANTIE VAN TOEPASSING. GARANTIES AFGEGEVEN DOOR EEN ANDERE PERSOON, MET INBEGRIJ VAN DEALERS OF DETAILHANDELAARS, MET BETREKKING TOT EEN PRODUCT (ZOALS EVENTUELE "UITGEBREIDE GARANTIES"), ZIJN IN GEEN GEVAL BINDEND VOOR WEBER. DEZE GARANTIE BIEDT UITSLUITEND MOGELIJKHEID TOT HET REPAREREN OF VERVANGEN VAN DEFECTE ONDERDELEN OF PRODUCTEN.

IN GEEN GEVAL ZAL EEN HERSTELMAATREGEL VAN WELKE AARD DAN OOK IN HET KADER VAN DEZE VRIJWILLIGE GARANTIE EEN WAARDE HOGER DAN DE AANKOOPPRIJS VAN HET VERKOCHTE WEBER-PRODUCT HEBBEN.

U AANVAART HET RISICO EN DE AANSPRAKELIJKHEID VOOR VERLIES, SCHADE OF LETSEL AAN U EN UW WONING EN/OF AAN ANDEREN EN HUN EIGENDOMMEN DOOR VERKEERD OF ONKUNDIG GEBRUIK VAN HET PRODUCT OF DOOR HET NIET OPVOLGEN VAN DE INSTRUCTIES VAN WEBER IN DE BIJBEHORENDE GEBRUIKERSHANDLEIDING.

ONDERDELEN EN ACCESSOIRES DIE ONDER DEZE GARANTIE WORDEN VERVANGEN, WORDEN UITSLUITEND GEDEKT VOOR HET RESTANT VAN DE BOVENGENOEMDE OORSPRONKELIJKE GARANTIEPERIODE(S).

DEZE GARANTIE GELDT VOOR GEBRUIK BIJ PARTICULIERE EENGEZINSWONINGEN OF APPARTEMENTEN EN IS NIET VAN TOEPASSING OP WEBER-BARBECUES DIE WORDEN GEBRUIKT IN OMGEVINGEN MET EEN COMMERCIEEL OF GEMEENSCHAPPELIJK KARAKTER OF MET MEERDERE UNITS, ZOALS RESTAURANTS, HOTELS, RESORTS OF VAKANTIEWONINGEN.

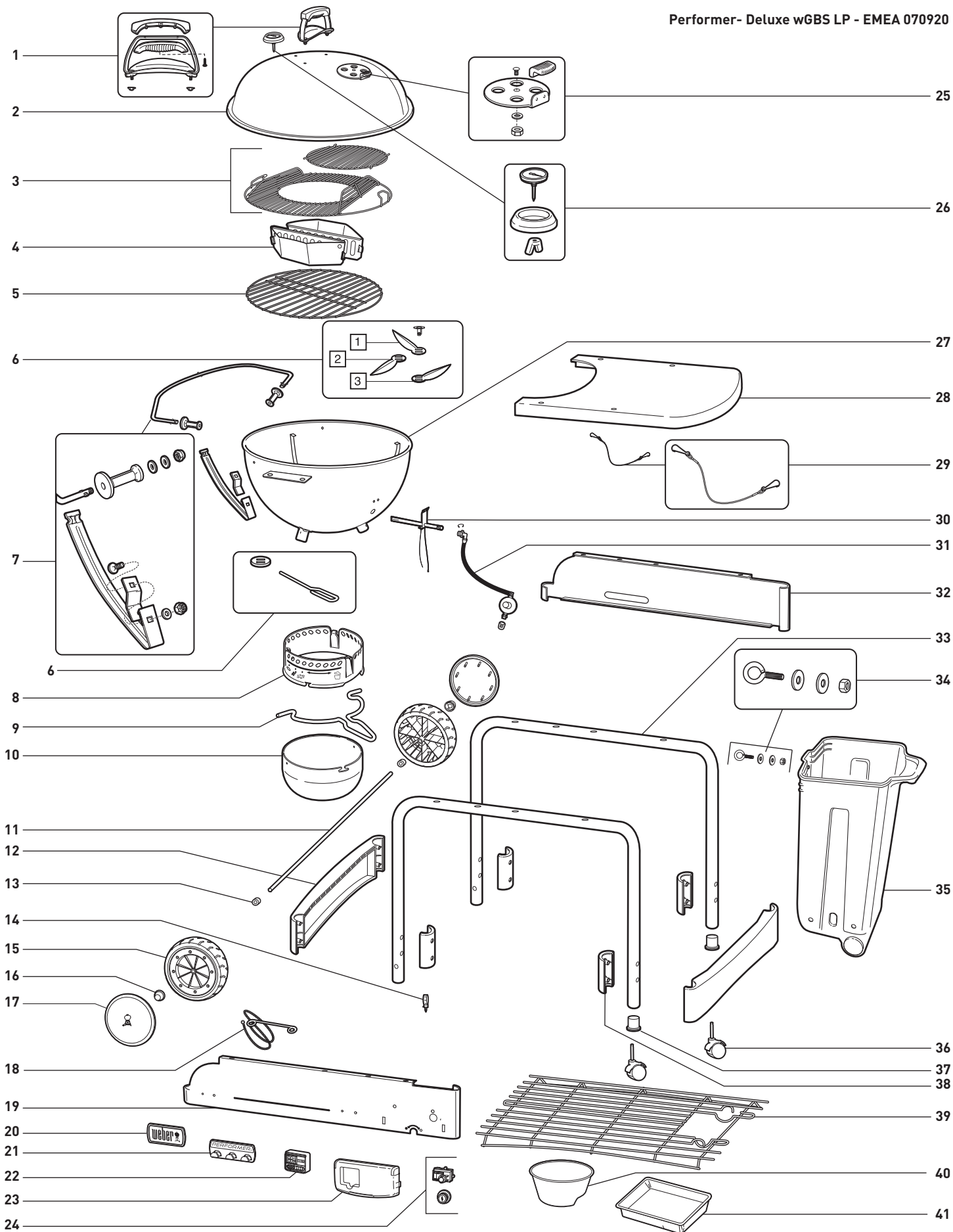
WEBER KAN HET ONTWERP VAN ZIJN PRODUCTEN VAN TIJD TOT TIJD WIJZIGEN. NIETS IN DEZE GARANTIE MAG WORDEN OPGEVAT ALS VERPLICHTING VOOR WEBER OM DERGELIJKE ONTWERPWIJZIGINGEN TE INTEGREREN IN EERDER GEMAAKTE PRODUCTEN, NOCH WORDEN OPGEVAT ALS ERKENNING DAT EEN EERDER ONTWERP ONDEUGDELIJK WAS.

RESERVEGASSLANG EN GASDRUKREGELAAR

⚠ BELANGRIJK: Wij raden aan de gaslang op uw Weber gasbarbecue om de vijf (5) jaar te vervangen. In sommige landen kunnen er regels zijn dat de gaslang binnen de 5 jaar dient te worden vervangen. De regels van deze landen hebben prioriteit.

Neem voor de reservegaslang en de gasdrukregelaar contact op met de vertegenwoordiger van de klantendienst in uw gebied via "Neem contact op" op onze website. Surf naar www.weber.com.

LAND		GASTYPE & DRUK
Denemarken, Zweden, Noorwegen, Finland, Engeland, Nederland, Verenigd Koninkrijk, Frankrijk, Spanje, Portugal, België, Ierland, Griekenland, Luxemburg, Italië, Duitsland, Oostenrijk		I _{SB/P} - 29 mbar
ENERGIEVERBRUIK		
Ontsteking van de brander. Max.		
Propana/ butaanmengsel	kW	g/h
	2,6	192



1. Handgreep deksel	15. Wiel	29. CHARBIN ketting
2. Deksel	16. Wioldop	30. Brandercombinatie
3. GBS bakrooster	17. Wielafdekking	31. Slang en reguleur met uitstroomopening en klem
4. CHAR-BASKETS	18. Luciferhouder	32. Achterpaneel
5. houtskoolrooster	19. Voorpaneel	33. Pootframe
6. ONE-TOUCH reinigingssysteem	20. Logoplaatje	34. CHARBIN bevestigingsmateriaal
7. TUCK-AWAY dekselhouder en benedensteun	21. Kookgereiholder	35. CHARBIN
8. Asopvangring	22. Digitale kooktimer	36. zwenkwiel
9. Asopvanggreep	23. Afdekking gasknoppen	37. Inzetstuk zwenkwiel
10. Asopvangeenheid met grote capaciteit	24. Ontstekingsknop/ontstekingsmodule	38. Beugelklem pootframe
11. As	25. Dempingseenheid deksel	39. Benedenrek
12. Beugel voor pootframe	26. Thermometer	40. Kolenbakje
13. Afstandstuk voor wielen	27. Kom	41. Verwisselbare druippan
14. Afstandsbeugel voor ontstekingsdraad	28. Tafel	

Als u vragen hebt of advies nodig hebt met betrekking tot uw grill of het veilige gebruik hiervan, meldt u zich aan bij www.weber.com.

- Deze instructies bieden u de minimale vereisten voor het monteren van uw WEBER barbecue. Lees de instructies zorgvuldig door voordat u uw WEBER barbecue gaat gebruiken. Onjuiste montage kan gevaarlijk zijn.
- Niet voor gebruik door kinderen.
- Deze WEBER barbecue is uitsluitend ontworpen voor gebruik met propaan of een mengsel van propaan en butaan. Niet gebruiken met aardgas. Het ventiel en de reguleur zijn uitsluitend ontworpen voor propaan of een mengsel van propaan en butaan.
- Deze WEBER gasbarbecue is niet bedoeld voor commercieel gebruik.
- Het gebruik van alcohol en/of geneesmiddelen (al dan niet op voorschrift) kan een negatieve invloed hebben op het vermogen van de consument om het apparaat correct te monteren of veilig te bedienen.

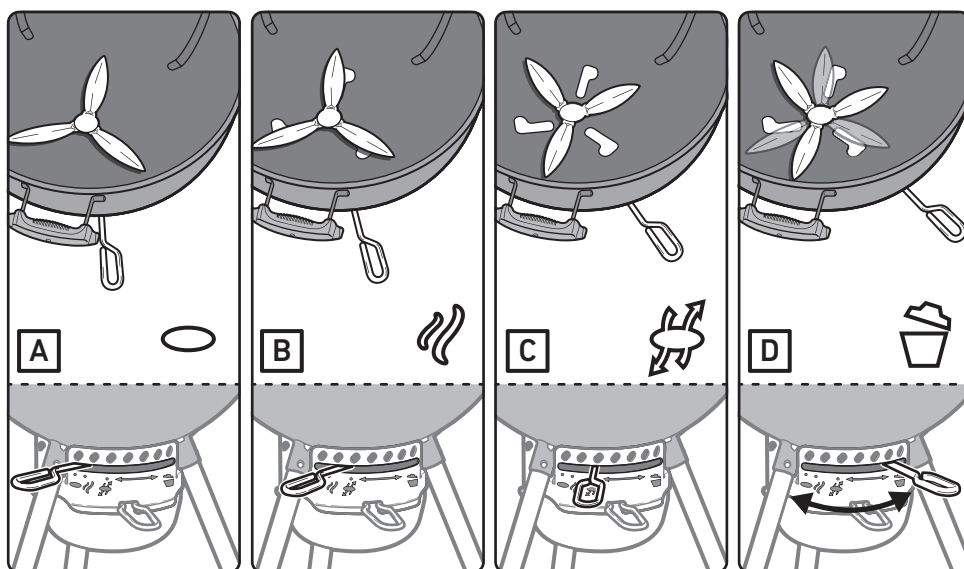
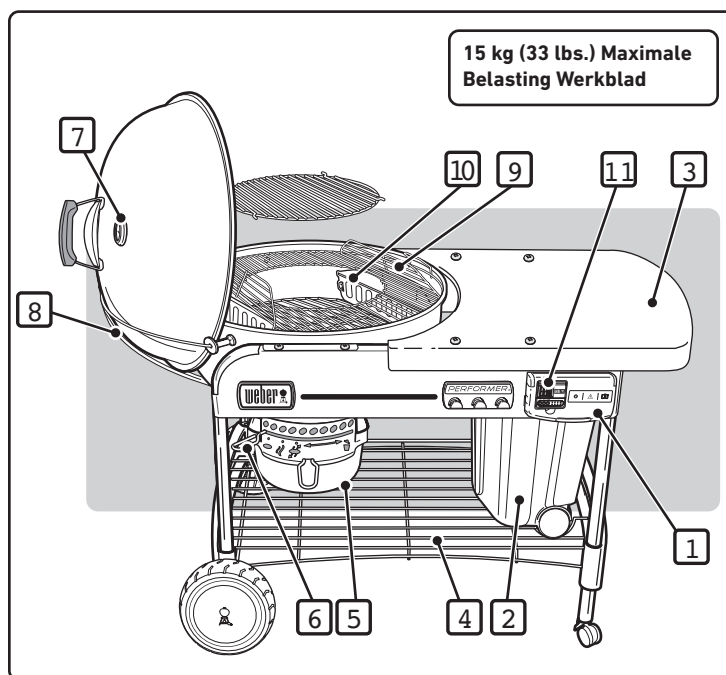
FUNCTIES

- A) Exclusief TOUCH-N-GO gasontstekingsstelsel maakt het aansteken van houtskoolbriketten tot een simpele klus (1). Druk simpelweg op de knop en houd deze ingedrukt totdat de gasbrander van het systeem wordt ontstoken en de houtskool gaan branden. Er hoeven geen gevaarlijke ontstekingsvloeistoffen te worden gebruikt of opgeslagen en uw gerechten hebben geen vervelende nasmaak van ontstekingsvloeistof.
- B) CHARBIN opslagcontainer bevat een zak met kolen van maximaal 13,7 kg. (2). De zak met houtskool dient rechtstreeks in de CHARBIN opslagcontainer te worden opgeborgen.
- C) Het metalen deksel fungeert als prima werkvlak en afdekking voor de CHARBIN opslagcontainer om de briketten droog te houden (3).
- D) Handig benedenrek voor opslag (4).
- E) Asopvangneus met hoge capaciteit beschikbaar, waardoor u geen last van rondstuivende as hebt (5).
- F) ONE-TOUCH reinigingssysteem verwijdert op eenvoudige wijze as of opent en sluit de ventilatieopeningen (6).
- G) Een thermometer houdt de bereidingstemperatuur binnen in de grill in de gaten (7).
- H) TUCK-AWAY deksel glijdt terug in de dekselhouder van roestvrijstaal en fungeert als windscherm bij het aansteken van de briketten (8).
- I) Het GOURMET BBQ SYSTEM (GBS) bakrooster met scharnier (9), scharnierende toegangskleppen zwaaien open op bakrooster zodat u gemakkelijk briketten of houtspaanders kunt toevoegen tijdens de bereiding. Omvat inzetstuk voor dagelijks gebruik. Geschikt voor het volledige assortiment accessoires van het GOURMET BBQ SYSTEM.
- J) CHAR-BASKET Brandstofhouders voor houtskool maken comfortabele indirecte en geconcentreerde directe bereiding met hout of houtskool mogelijk (10).
- K) Digitale kooktimer (11).

- Deze WEBER is niet bedoeld als en mag nooit worden gebruikt als verwarmingstoestel.
- Laat de WEBER barbecue niet zonder toezicht achter. Houd kinderen en huisdieren te allen tijde uit de buurt van de WEBER barbecue.
- Alle onderdelen die zijn verzegeld door de fabrikant mogen niet worden gewijzigd door de gebruiker.
- Alle modificaties aan het apparaat kunnen gevaarlijk zijn.
- Koppel de gasfles los als: 1) deze leeg is; 2) de grill wordt opgeslagen in een garage of andere besloten ruimte; 3) de grill wordt getransporteerd.

⚠ **Verplaats het apparaat niet tijdens het gebruik. Laat de grill afkoelen voordat u deze gaat verplaatsen.**

⚠ **Dit apparaat is niet bedoeld als en mag nooit worden gebruikt als verwarmingstoestel.**



NL A - Ventilatiooster gesloten B - Laag en traag C - Ventilatiooster open D - As weghalen

⚠ **WAARSCHUWING:** Als u vloeibare aanmaakmiddelen gebruikt, controleer dan altijd de asopvangbak voordat u de barbecue aansteekt. Er kan een opbouw van deze vloeistof in de asopvangbak ontstaan, hetgeen brand onder de ketel kan veroorzaken. Verwijder alle aanmaakvloeistof uit de asopvangbak voordat u de houtskool aansteekt.

HET GASBUSJE BEVESTIGEN

Gebruik gasbusjes met een capaciteit van minimaal 430 g en maximaal 460 g. Het gasbusje moet beschikken over een EN417-klep, zoals afgebeeld. Een type gasbusje dat kan worden gebruikt is een Primus model 2202 of een WEBER gasbusje.

⚠ LET OP: gebruik alleen cilinders die als propaan of butaan-propaanmengsel zijn aangemerkt.

Duw het gasbusje in de gasdrukregelaar en draai deze met de klok mee tot het gasbusje goed vastzit.

⚠ WAARSCHUWING: draai het gasbusje alleen met de hand aan. Gebruik van overmatig veel kracht kan de koppeling van de gasdrukregelaar beschadigen en een lekkage of een tekort aan gastoevoer veroorzaken.

CONTROLLEREN OP GASLEKKAGE:**⚠ GEVAAR**

Gebruik geen vuur om te controleren op gaslekken. Let erop dat er geen vonken of vuur in de buurt zijn wanneer u controleert op lekkage. Vonken of vuur kunnen een brand of explosie veroorzaken met ernstig of fataal letsel en beschadigingen van eigendommen als gevolg.

U heeft het volgende nodig: een gasbusje, wat zeepsop en een doek of borstel om het zeepsop aan te brengen.

- Maak wat zeepsop.
- Draai de gasregelaar naar ON (open) door de regelaar tegen de klok in te draaien.
- Controleer op lekkage door zeepsop op de aansluiting aan te brengen en vervolgens te kijken of er zeepbellen verschijnen. Wanneer u zeepbellen ziet en de zeepbellen worden groter, dan is er sprake van lekkage.

CONTROLEER:

- Aansluiting tussen gasdrukregelaar en gasbusje.

⚠ WAARSCHUWING: wanneer er een lek bij de aansluiting wordt geconstateerd (1), verwijder dan het gasbusje. Gebruik de barbecue niet. Probeer een ander gasbusje en controleer de aansluiting opnieuw met zeepsop. Wanneer de lekkage niet is verholpen na het aandraaien van het gasbusje, draai dan het gas dicht (OFF). GEBRUIK DE BARBECUE NIET. Neem contact op met een vertegenwoordiger van de klantenservice in uw regio. Hiervoor kunt u de contactgegevens op onze website gebruiken. Surf naar www.weber.com.

CONTROLEER:

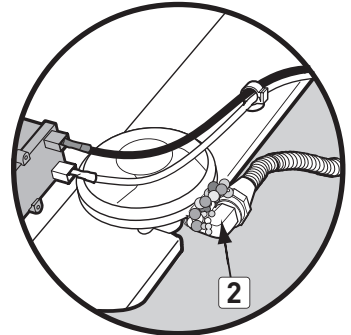
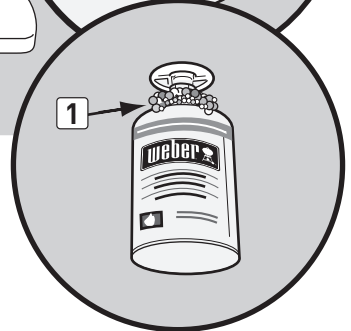
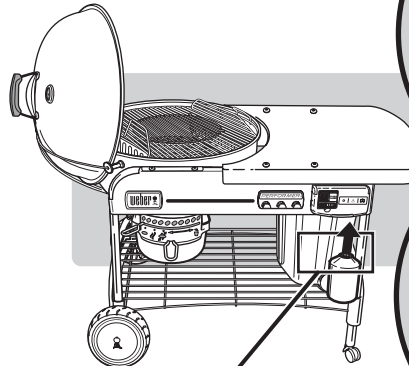
- De aansluitingen van de klep en de gasdrukregelaar.

⚠ WAARSCHUWING: wanneer er een lek bij de aansluiting wordt geconstateerd (2), draai dan het gas dicht (OFF). GEBRUIK DE BARBECUE NIET. Neem contact op met de vertegenwoordiger van de klantenservice in uw regio. Hiervoor kunt u de functie "Neem contact op" op onze website gebruiken. Surf naar www.weber.com.

Wanneer u op lekkage heeft gecontroleerd, draait u de gastoevoer dicht en spoelt u de aansluitingen na met water.

⚠ GEVAAR

Bewaar de gasbusjes niet onder of in de buurt van de barbecue.



AANSTEKEN

⚠ GEVAAR

Open het deksel vóór het aansteken. Gebruik nooit ontvlambare vloeistoffen, zoals aanmaakvloeistof, benzine, alcohol of enige vorm van zelfontstekende briketten; ook niet bij het handmatig aansteken. Geen acht slaan op deze waarschuwing, kan ernstig lichamelijk letsel of de dood tot gevolg hebben.

- A) Verwijder het barbecuedeksel voordat u de gasfunctie gebruikt.
- ⚠ GEVAAR: Het niet verwijderen van het deksel kan een gasbel veroorzaken die kan leiden tot brand of een explosie, wat ernstig lichamelijk letsel of de dood of schade aan eigendommen tot gevolg kan hebben.**
- B) Open de onderste ventilatiegaten van de ketel (1).
- C) Plaats de CHAR-BASKETS boven de brander (2).
- D) Duw de knopjes in op de gasregelaarafdekking (3) en til op om te openen.
- E) Draai de gastoevoer ten minste één volledige slag open (tegen de klok in) (4).
- ⚠ WAARSCHUWING: Niet over de open barbecue heen leunen tijdens het aansteken.**
- F) Houd de ontstekingsknop ingedrukt totdat de brander aangaat (5).
- ⚠ LET OP: De vlam kan moeilijk te zien zijn op een mooie dag.**
- G) Draai, nadat de briketten zijn aangestoken (na ongeveer 5 minuten), de regelknop van het gas dicht (OFF) (met de klok mee) totdat hij volledig dicht is.
- ⚠ LET OP: Controleer of de gasregelaar volledig is gesloten.**

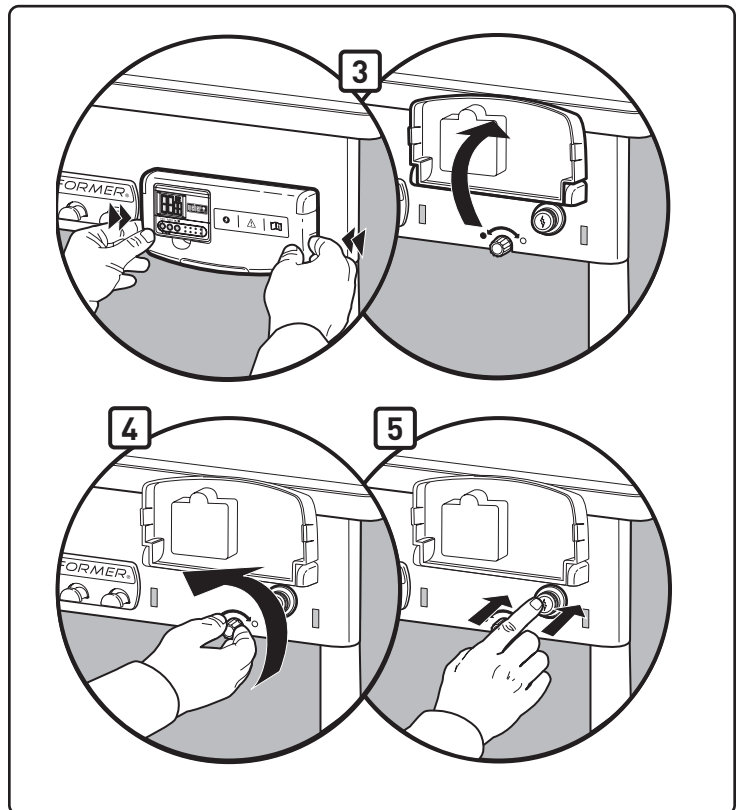
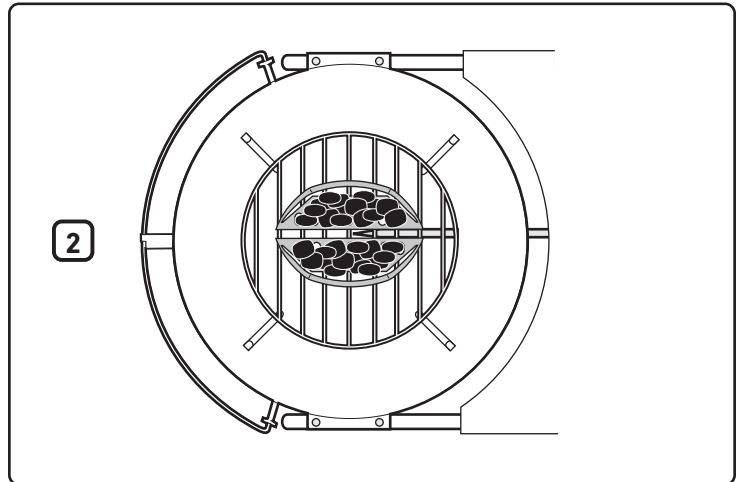
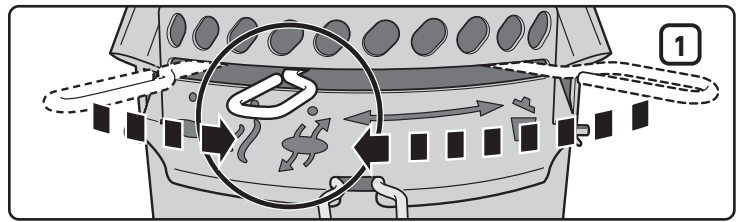
NB - Een langdurig gebruik verkort de levensduur van het gasbusje.

- H) U kunt beginnen met koken wanneer de briketten enigszins bedekt zijn met grijs as (na ongeveer 25 - 30 minuten).

UITZETTEN

Draai de regelknop van het gas naar de stand OFF (met de klok mee) totdat hij volledig dicht is.

- ⚠ Draag barbecuewanten of -handschoenen (in overeenstemming met EN 407, contacthittenniveau 2 of hoger) en gebruik een tang om CHAR-BASKETS boven de brander te plaatsen.**



HANDMATIG AANSTEKEN

⚠ **WAARSCHUWING:** Probeer de barbecue niet zelf aan te steken zonder de luciferhouder te gebruiken.

⚠ **GEVAAR**

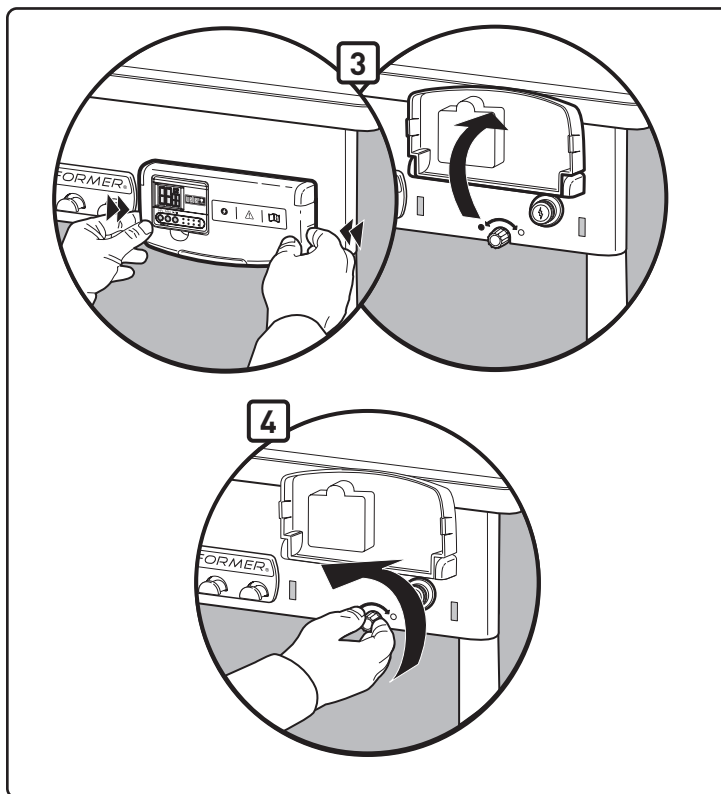
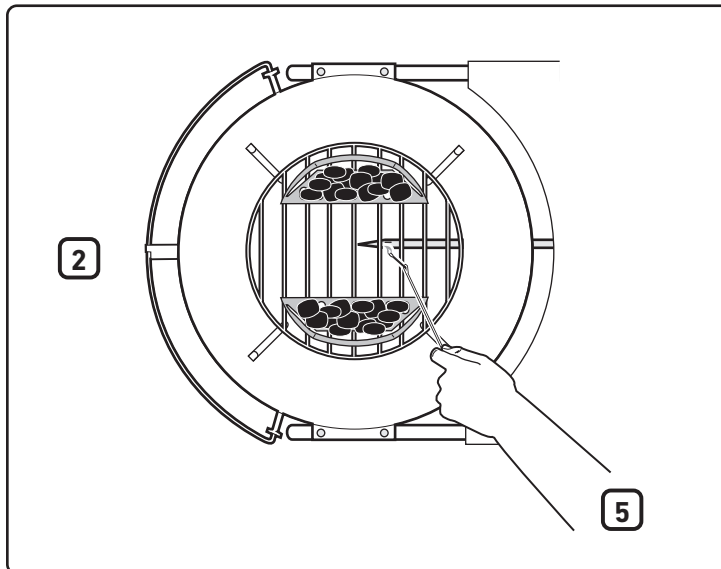
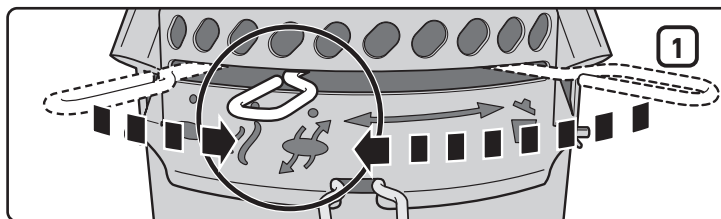
Open het deksel vóór het aansteken. Gebruik nooit ontvlambare vloeistoffen, zoals aanmaakvloeistof, benzine, alcohol of enige vorm van zelfontstekende briketten; ook niet bij het handmatig aansteken. Geen acht slaan op deze waarschuwing, kan ernstig lichamelijk letsel of de dood tot gevolg hebben.

- A) Verwijder het barbecuedeksel voordat u de gasfunctie gebruikt.
- ⚠ **GEVAAR:** Het niet verwijderen van het deksel kan een gasbel veroorzaken die kan leiden tot brand of een explosie, wat ernstig lichamelijk letsel of de dood of schade aan eigendommen tot gevolg kan hebben.
- B) Open de onderste ventilatiegaten van de ketel (1).
- C) Verplaats de CHAR-BASKETS weg van de brander (2).
- D) Duw de knopjes in op gasregelaarafdekking (3) en til op om te openen.
- E) Plaats een lucifer in de luciferhouder. Steek de lucifer aan.
- F) Draai de gastoevoer ten minste één volledige slag open (tegen de klok in) (4).
- G) Plaats de vlam van de lucifer aan de achterzijde van de branderopening (5).
- ⚠ **WAARSCHUWING:** Houd uw hand niet direct boven de brander wanneer u deze handmatig aansteekt.
- ⚠ **WAARSCHUWING:** Niet over de open barbecue heen leunen tijdens het aansteken.
- ⚠ **LET OP:** De vlam kan moeilijk te zien zijn op een mooie dag.
- H) Draag barbecuehandschoenen en gebruik lange tangen om de CHAR-BASKETS weer boven de brander te plaatsen.
- I) Draai, nadat de briketten zijn aangestoken, (na ongeveer 5 minuten) de gasregelaar dicht (OFF) (met de klok mee) totdat deze volledig dicht staat.
- J) U kunt beginnen met koken wanneer de briketten enigszins bedekt zijn met grijs as (na ongeveer 25 - 30 minuten).

UITZETTEN

Draai de regelknop van het gas naar de stand OFF (met de klok mee) totdat hij volledig dicht is.

⚠ **Draag barbecuewanten of -handschoenen (in overeenstemming met EN 407, contacthitteniveau 2 of hoger) en gebruik een tang om CHAR-BASKETS boven de brander te plaatsen.**



WERKING VAN DE TIMER

Deze waterbestendige digitale kooktimer biedt functies voor zowel vooruit als achteruit tellen in uren, minuten en seconden.

U kunt als volgt de tijd instellen op achteruit tellen:

- Druk op de **Start/Stop** ► / ■ knop om de achtergrondverlichting in te schakelen.
- Druk op de **HR (UUR)** knop (1) om het aantal uren in te stellen. Houd de knop ingedrukt om snel vooruit te gaan (maximale instelling: 99 uur) (4).
- Druk op de **MIN** knop (2) om het aantal minuten in te stellen. Houd de knop ingedrukt om snel vooruit te gaan (maximale instelling: 59 minuten) (5).
- Als de tijd is ingesteld, drukt u op de **Start/Stop** ► / ■ knop (3) om het achteruit tellen te starten.
- Als de tijd is verstreken, is 30 seconden lang het alarm te horen en wordt het achteruit tellen automatisch opnieuw gestart vanaf de vorige tijdsinstelling.

BELANGRIJK

Als er nog meer dan een uur over is tijdens het achteruit tellen, knipperen H en M (hours [uren] en minutes [minuten]); het getal worden elke minuut verlaagd. Als er minder dan een uur over is bij het achteruit tellen, veranderen H en M (hours [uren] en minutes [minuten]) in M en S (minutes [minuten] en seconds [seconden]) en worden de seconden afgeteld; het getal wordt elke seconde verlaagd.

U kunt als volgt de tijd wissen:

- Druk op de **Start/Stop** ► / ■ knop om de achtergrondverlichting in te schakelen.
- Druk de knoppen **HR (UUR)** en **MIN**: ↻ tegelijkertijd in (1)(2).

U kunt als volgt de tijd instellen op vooruit tellen:

- Druk op de **Start/Stop** ► / ■ knop om de achtergrondverlichting in te schakelen.
- Druk nogmaals op de **Start/Stop** ► / ■ knop om het vooruit tellen te starten. Tijdens het vooruit tellen wordt de tijd op het display weergegeven in de notatie uur/ minuut en minuut/ seconde.
- Druk tweemaal op de **Start/Stop** ► / ■ knop om de timer te stoppen. Het vooruit tellen stopt na 99 uur (4), 59 minuten (5).

Automatisch afsluiten:

- Om de batterij te sparen, wordt de achtergrondverlichting na 10 seconden uitgeschakeld. De timer wordt volledig uitgeschakeld na 10 minuten inactiviteit.

Opmerking: Als de timer wordt gebruikt in een omgeving met elektrostatische ontladingen (statische elektriciteit) gaat de tijdsinstelling mogelijk verloren. Als dat gebeurt, stelt u de timer opnieuw in.

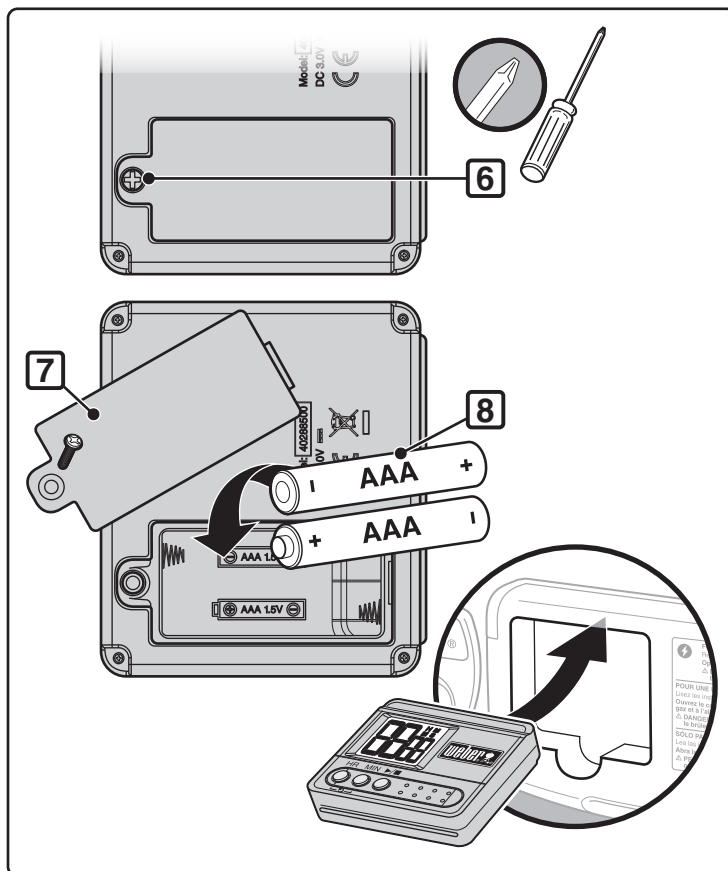
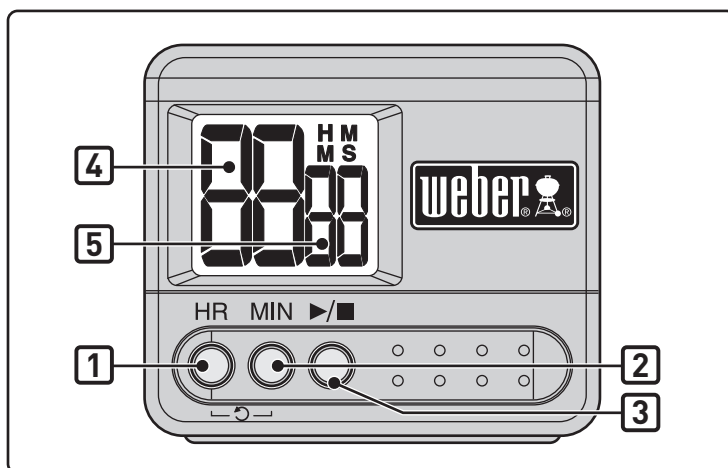
Installatie van batterij:

- Gebruik een kruiskopschroevendraaier om het klepje van het batterijvak aan de achterkant van de timer te verwijderen (6) door de schroef rechtsonder te draaien.
- Verwijder het klepje van het batterijvak aan de achterkant van de timer (7).
- Plaats of vervang de AAA-batterijen (8).
- Plaats het klepje van het batterijvak.
- Vergrendel het klepje van het batterijvak door de schroef linksom te draaien met een kruiskopschroevendraaier.
- Nadat de batterijen zijn geplaatst, wordt (0000) weergegeven op het LCD-scherm.

Onderhoud:

- Reinig de timer niet met een schurend of corrosief middel. Als u dit wel doet, raakt de timer bekrast of treedt er corrosie op in de elektronische circuits.
- Stel de timer niet bloot aan buitensporige krachten, schokken of stof, of aan buitensporige temperaturen of vochtigheid. Anders kan deze defect raken, kan de levensduur van de elektronische componenten worden verkort, kan de batterij schade oplopen of kunnen onderdelen vervormd raken.
- Laat de interne onderdelen van de timer ongemoeid. Anders wordt de garantie van de timer ongeldig en kan er onnodige schade aan de batterij en aan interne onderdelen ontstaan.
- Stel de timer niet bloot aan buitensporige hoeveelheden direct zonlicht of aan zware regen.
- Dompel de timer niet onder in water.

De timer kan het beste mee naar binnen worden genomen als deze niet wordt gebruikt.



PROBLEEM	CONTROLEER	OPLOSSEN
De branders hebben een gele of oranje vlam en u ruikt gas.	Controleer de brander op mogelijke verstoppingen.	Maak de brander schoon. (Raadpleeg het hoofdstuk "Onderhoud".)
Brander brandt niet of de vlammen zijn laag.	Is het gasbusje bijna leeg of leeg?	Vervang het gasbusje.
	Is de brandstofslang gebogen of geknikt?	Trek de brandstofslang recht.
	Kunt u de brander wel met lucifers aansteken?	Wanneer de brander met lucifers kan worden aangestoken, controleer dan het ontstekingsstelsel.
	Is de slang goed aangesloten op de branderslang?	Sluit de gas slang aan op de branderslang met de bijgeleverde metalen bevestigingsklem. ⚠ GEVAAR: Gebruik het gasontstekingsmechanisme niet als de bevestigingsklem ontbreekt. Een ontbrekende bevestigingsklem kan ernstig lichamelijk letsel of de dood en schade aan eigendommen tot gevolg hebben. Neem contact op met de klantendienst voor een reservebevestigingsklem.
De vlammen van de brander branden onregelmatig.	Is de brander schoon?	Maak de brander schoon. (Raadpleeg het hoofdstuk "Onderhoud".)
Brander gaat niet aan als u op de ontstekingsknop drukt.	Controleer of er gas naar de branders stroomt door de branders met een lucifer aan proberen te steken. Raadpleeg "HANDMATIG AANSTEKEN."	Het probleem zit bij het ontstekingsstelsel als de brander wel brandt met een lucifer. Raadpleeg "WERKING VAN ELEKTRONISCHE ONTSTEKINGSSYSTEEM."
	Is er een nieuwe batterij geplaatst?	Controleer of de batterij in goede staat verkeert en goed is geïnstalleerd. Raadpleeg "CONTROLE VAN ELEKTRONISCHE ONTSTEKING."
	Zijn de draden goed aangesloten op de ontstekingsmodule?	Controleer of de bedrading goed is aangebracht in de aansluitpunten van de ontstekingskast. Raadpleeg "WERKING VAN ELEKTRONISCHE ONTSTEKINGSSYSTEEM."
	Zit er een kunststof wikkel rond de nieuwe batterij?	Verwijder de kunststof wikkel.
Timer werkt niet.	Zijn er nieuwe batterijen geplaatst?	Controleer of de batterijen in goede staat verkeren en correct zijn geplaatst. Raadpleeg "WERKING VAN DE TIMER."
Het lijkt alsof de binnenkant van het deksel afbladdert. (Lijkt op afgebladderd lak.)	Wat u ziet is aangebrand vet dat verkoold is en afbladdert. DIT IS GEEN DEFECT.	Maak het deksel grondig schoon. (Raadpleeg het hoofdstuk "Reinigen".)
Wanneer een probleem niet verholpen kan worden aan de hand van deze instructies, dan kunt u contact opnemen met een vertegenwoordiger van de klantendienst in uw regio via "Neem contact op" op onze website. Meld u aan op www.weber.com .		

ONDERHOUD

Wanneer de barbecue gedurende een langere tijd niet is gebruikt, raden wij u aan dat u om veiligheidsredenen de volgende procedures volgt.

- Controleer de slang voor elk gebruik van de barbecue op krassen, barsten, slijtageplekken of insnijdingen. De barbecue niet gebruiken als de slang op enige wijze is beschadigd. Vervang de slang alleen met een door WEBER goedgekeurde reserveslang. **Neem contact op met een vertegenwoordiger van de klantenservice in uw regio. Hiervoor kunt u de contactgegevens op onze website gebruiken. Surf naar www.weber.com.**

⚠ LET OP: Indien de gas slang van de barbecue op enige wijze is beschadigd of lekt, de barbecue niet gebruiken.

- Controleer de brander op een goed vlampatroon (zie het gedeelte "Vlampatroon van brander"). Reinig, zo nodig, de brander volgens de procedures die in dit gedeelte staan.
- Controleer alle gasaansluitingen op lekkage (zie het gedeelte "Controleren op gaslekkage").

PERIODIEKE REINIGING

As uit de kuip verwijderen: beweeg de instelstang (1) van links naar rechts zodat de bladen van de instelkleppen de as door de ventilatieopeningen van de kuip in de aslade duwen.

⚠ LET OP: Controleer of de brander uit staat (OFF) en de barbecue is afgekoeld voordat u reinigingswerkzaamheden uitvoert.

Vergroot de branderpoorten niet tijdens het schoonmaken.

De brander reinigen:

- Borstel de buitenzijde van de branderslang (2) en het branderpoortgedeelte (3) met een draadborstel.

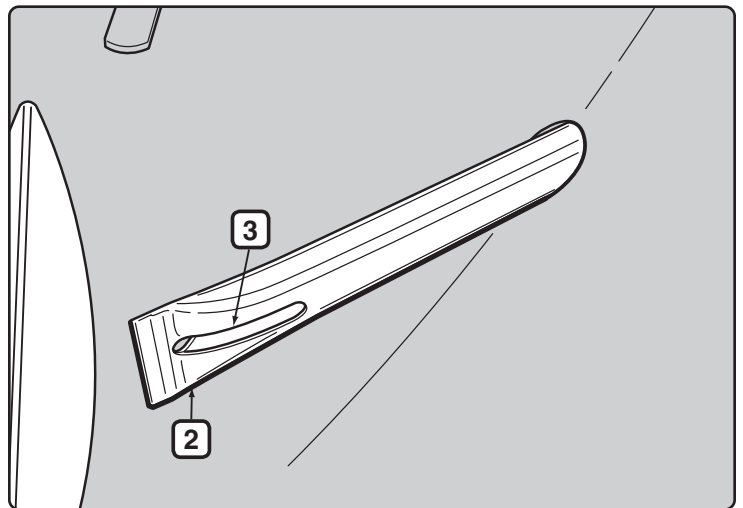
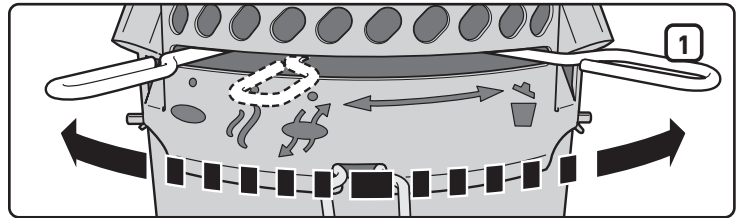
⚠ LET OP: De branderopeningen of de gasopening niet vergroten tijdens het reinigen.

De barbecue reinigen:

- Veeg, wanneer het deksel warm is, de binnenzijde met een papieren doek schoon om ophoping van vet te voorkomen.
- Gebruik voor de buitenoppervlakken warm zeepwater en spoel goed na met schoon water.

Voor een grondigere reiniging (ten minste eenmaal per jaar uitvoeren):

- Verwijder de as nadat de briketten volledig zijn gedooft.
- Verwijder de roosters en CHAR-BASKETS (brikettenhouders).
- Schoonvegen met keukenpapier. Wassen met een mild reinigingsmiddel en water. Goed afspoelen met schoon water en afdrogen.



OPSLAAN

- Als de Performer-barbecue buiten wordt opgeslagen, moet de gastoevoer worden ontkoppeld en het gasbusje buiten op een goed geventileerde plek worden opgeslagen.
- Het gasbusje moet buitenshuis worden opgeslagen op een goed geventileerde plek buiten het bereik van kinderen en mag niet worden opgeslagen in een gebouw, garage of enig ander gesloten gebied.
- Na een opslagperiode en/of langere periode van ongebruik, moet de barbecue vóór gebruik worden gecontroleerd op gaslekkages en enige verstoppingen van de branderslang (zie het gedeelte "Onderhoud").
- Controleer vóór gebruik of de gebieden rond de cilinder, slang en brander vrij zijn van vuil, wat de toevoer van gas of lucht kan verhinderen.

LET OP INSECTEN

Uw Performer-barbecue, net als andere gasapparatuur voor buitenshuis, trekt spinnen en andere insecten aan. Ze kunnen zich nestelen in het venturi-gedeelte (1) van de branderslang, waardoor het gas uit de luchtafsluiter stroomt.

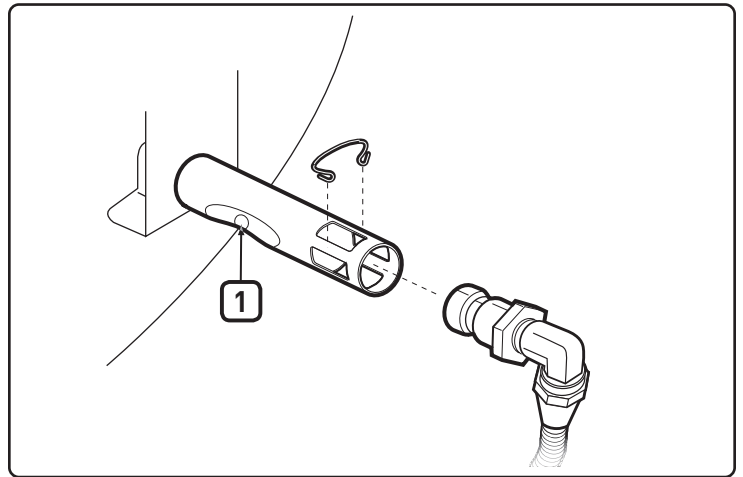
Dit kan leiden tot brand in en rond de branderslang onder het kuippaneel. Dit kan uw barbecue ernstig beschadigen, waardoor het niet veilig is voor gebruik.

Wij raden ten zeerste aan dat u de branderslang ten minste jaarlijks controleert en reinigt, of indien een van de volgende symptomen optreden:

- A) U ruikt een gaslucht en de vlammen van de brander zien er heel erg geel en niet krachtig uit.
- B) De brander maakt ploppende geluiden.

⚠ GEVAAR

Wanneer deze problemen niet worden verholpen, kan er brand ontstaan met ernstig of fataal letsel en beschadiging van eigendommen als gevolg.

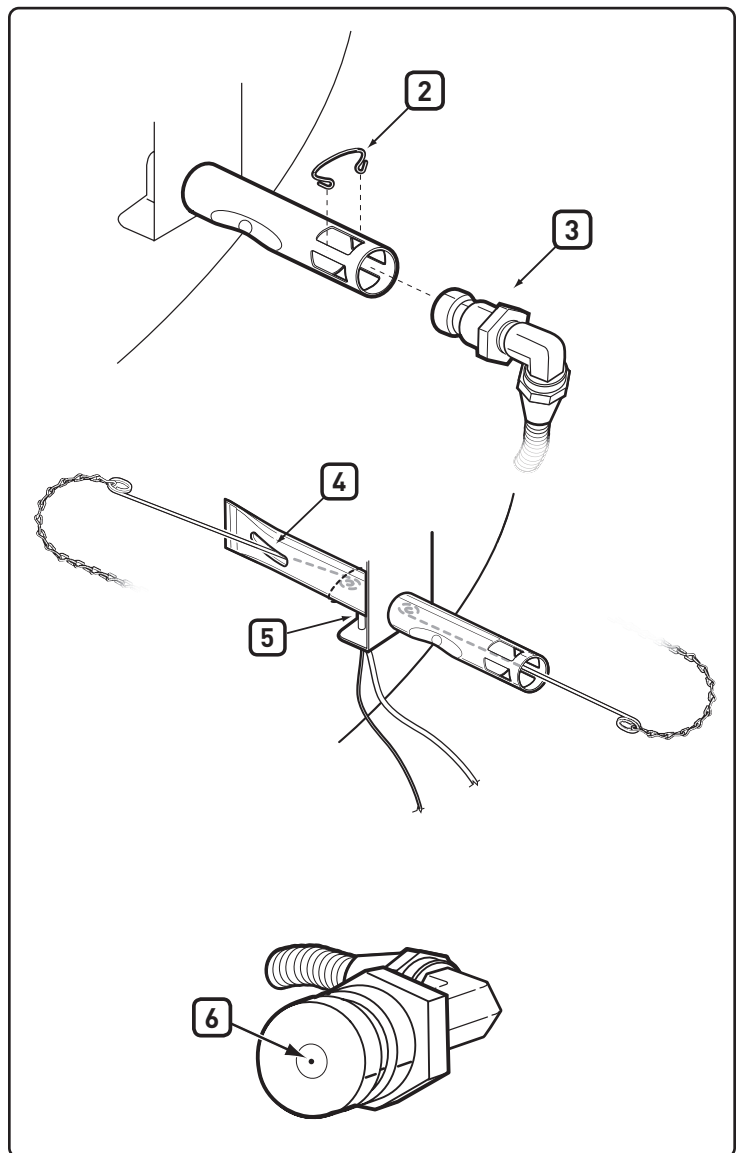


DE BRANDER CONTROLEREN EN REINIGEN

- A) Draai het gas dicht (OFF).
- B) Verwijder de CHARBIN voorraadcontainer.
- C) Verwijder de openingklem (2) en slangaansluiting (3) van de branderslang.
- D) Inspecteer met een zaklamp de binnenkant van de brander.
- E) Reinig de binnenkant van de brander met de luciferhouderstang (gemonteerd achter het WEBER logo plaatje).
Gebruik de schroefdraad om het luchtafsluitergebied, het venturi-gebied en de branderopeningen (4) te reinigen aan de binnenzijde van de kuip. Wees voorzichtig bij het inbrengen van het reinigingshulpmiddel van de brander om de ontstekingselektrode (5) niet te beschadigen.
- F) Controleer opnieuw met een zaklamp om te kijken of er geen verstoppingen zijn.
- G) Zo nodig kan het oppervlak van de slangaansluiting worden gereinigd met een draadborstel. De opening (6) kan worden gereinigd met een kleine pin.

⚠ LET OP: Vergroot de openingen niet tijdens het schoonmaken.

- H) Zet alles weer in elkaar door stap B en C in omgekeerde volgorde uit te voeren.

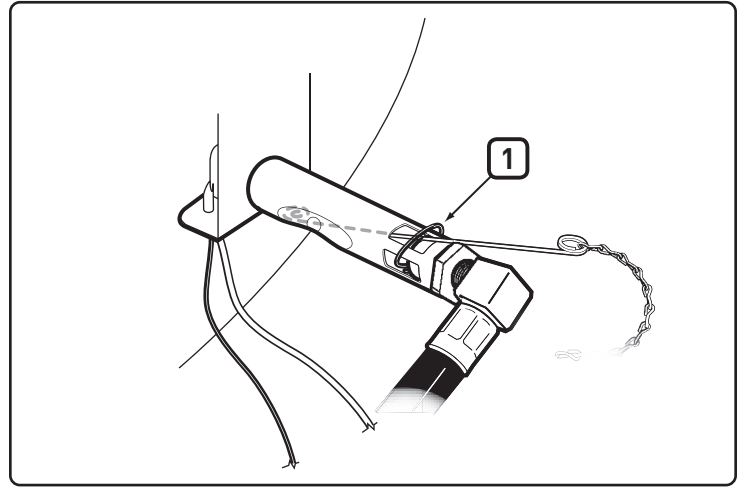


PERIODIEK SNEL REINIGEN

Wij raden aan dat u periodiek de buitenzijde van de brandersleuven afborstelt met een draadborstel en de branderbuis schoonmaakt via de warme-luchtopening met de bijgeleverde luciferhouder.

Dit kan worden uitgevoerd door de warme-luchtopening (1) onder de kuipbeugel te vinden en het hulpmiddel door elke warme-luchtopening te plaatsen, waarbij u het hulpmiddel draait. Wees voorzichtig bij het insteken van de luciferhouder dat u de ontstekingselektrode niet beschadigt.

⚠ LET OP: Het is belangrijk om deze reinigingsprocedure vaker uit te voeren tijdens de lente- en zomermaanden.



CONTROLE VAN ELEKTRONISCHE ONTSTEKING

Als het elektronische ontstekingssysteem niet aangaat, dient u te controleren of er gas wordt aangevoerd door de brander met een lucifer aan te steken. Raadpleeg "HANDMATIG AANSTEKEN". Als de brander met een lucifer aangestoken kan worden, ligt het probleem bij de elektronische ontsteking.

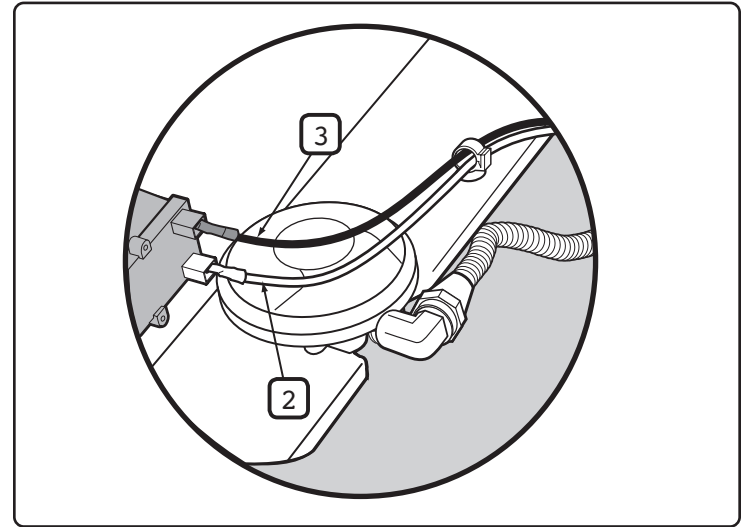
⚠ WAARSCHUWING: De gasregelklep dient in de 'OFF'-stand te staan.

- Controleer of de AAA-batterij (alleen alkaline) in goede staat is en goed is geïnstalleerd (1). Sommige batterijen zijn voorzien van een kunststof beschermende wikkel. Deze wikkel dient verwijderd te worden. Verwar deze kunststof wikkel niet met het etiket van de batterij.
- Controleer of de witte (2) en zwarte (3) ontstekingsdraden goed zijn aangesloten.
- Controleer of de elektronische ontstekingsknop werkt door te letten en te luisteren naar vonken bij de brander.
- Controleer of het ontstekingsmechanisme los in het frame ligt. Zo nodig vastzetten; raadpleeg de stap "Installeren" voor de juiste procedure.

Vervang Zonodig De Batterij

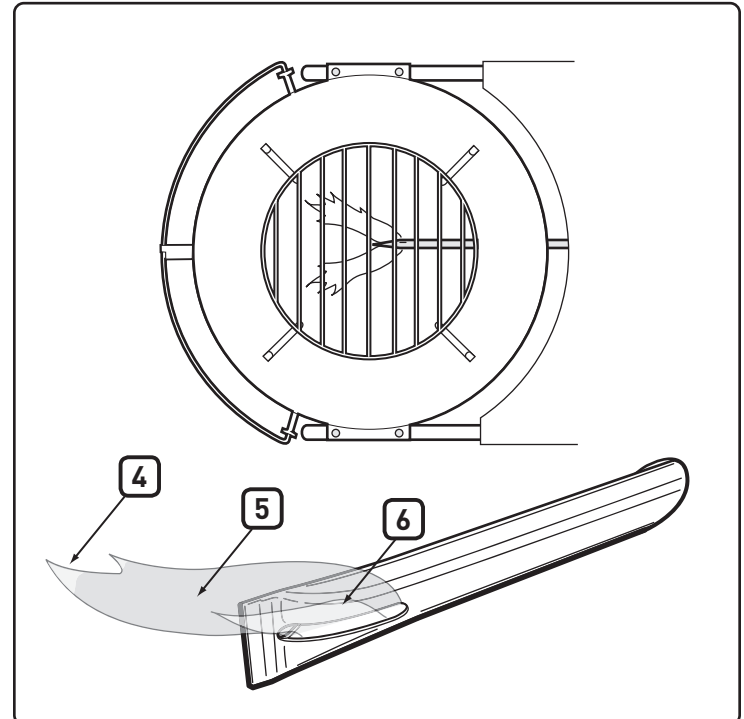
Alleen AAA alkaline batterij.

Wanneer u nog steeds de brander niet kunt aansteken met het elektronische ontstekingssysteem, kunt u contact opnemen met een vertegenwoordiger van de klantendienst in uw regio via "Neem contact op" op onze website. Surf naar www.weber.com.



VLAMPATROON VAN DE BRANDER

De brander is in de fabriek ingesteld op een juiste verhouding gas-lucht. Een juist vlampatroon heeft een geelachtige staart (4), is donkerblauw in het midden (5) en lichtblauw bij de branderslang (6). Als de vlammen er anders uitzien als weergegeven of als er "ploppende" geluiden te horen zijn, moet u de reinigingsprocedure voor de brander uitvoeren.



⚠ LET OP!: Dit product is getest op veiligheid en is alleen gecertificeerd voor gebruik in een specifiek land. Raadpleeg de landenaanduiding op de buitenverpakking.

Deze onderdelen kunnen gas bevatten of gas verbranden. Neem contact op met de klantenservice van Weber-Stephen Products LLC voor informatie over originele reserveonderdelen van Weber-Stephen Products LLC.

⚠ WAARSCHUWING: Repareer onderdelen die bedoeld zijn voor gas of gasverbruik niet voordat u contact heeft opgenomen met de klantenservice van Weber-Stephen Products LLC. Wanneer u zich niet aan deze productwaarschuwing houdt, kan er brand of een explosie ontstaan met ernstig of fataal letsel en beschadiging van eigendommen tot gevolg.



WEBER-STEPHEN PRODUCTS LLC
www.weber.com

PERFORMER DELUXE

Manual do Utilizador do Grelhador a Carvão

Ler o guia de utilização antes de utilizar a churrasqueira.

Montagem -  p. 6

ANTES DE UTILIZAR O GRELHADOR A GÁS LEIA ATENTAMENTE ESTE MANUAL DO UTILIZADOR

⚠ PERIGO

Se sentir o cheiro a gás:

1. Feche imediatamente o gás que alimenta o equipamento.
2. Apague quaisquer chamas que tenham surgido.
3. Abra a tampa.
4. Se o cheiro persistir, afaste-se do equipamento e contacte imediatamente o seu fornecedor de gás ou os bombeiros da sua área.

Uma fuga de gás pode causar um incêndio ou uma explosão com possíveis ferimentos graves ou morte, ou ainda danos materiais.

⚠ AVISO: Efectue cuidadosamente todos os procedimentos de verificação de fugas deste manual antes de utilizar o grelhador. Faça-o mesmo que o grelhador tenha sido montado pelo representante.

⚠ AVISO:

1. Não armazene nem utilize combustível ou outro vapor ou líquido inflamável junto deste ou de outro equipamento qualquer.
2. Uma botija de fornecimento de gás não ligada para utilização não deve ser armazenada junto deste ou de outro equipamento qualquer.

⚠ AVISO: Não tente acender o grelhador a gás Weber sem ter lido, em primeiro lugar, as instruções de “Acendimento” neste manual.

INFORMAÇÃO PARA O INSTALADOR:

Este manual deverá ficar na posse do proprietário, que deverá guardá-lo para utilização futura.

UTILIZAR APENAS NO EXTERIOR.



O NÃO CUMPRIMENTO DESTAS DECLARAÇÕES DE PERIGO, ADVERTÊNCIA E PRECAUÇÃO PODERÁ PROVOCAR LESÕES CORPORAIS GRAVES OU MORTE, OU UM INCÊNDIO OU EXPLOSÃO RESULTANTE EM DANOS À PROPRIEDADE.

- △ SÍMBOLOS DE SEGURANÇA (△) irão alertá-lo para informações de SEGURANÇA importantes.
- △ As palavras PERIGO, ADVERTÊNCIA ou PRECAUÇÃO, serão utilizadas com o SÍMBOLO DE SEGURANÇA.
- △ PERIGO irá identificar os perigos mais graves.
- △ Leia todas as informações de segurança neste Guia de Utilização antes de utilizar o grelhador.

△ PERIGOS

- △ Não utilizar o grelhador sob uma estrutura inflamável.
- △ Uma montagem indevida poderá ser perigosa. Siga as instruções de montagem neste manual. Não utilizar o grelhador exceto se todas as peças estiverem no lugar. Certifique-se de que o coletor de cinzas está devidamente fixo nos pés por baixo da tampa do grelhador, ou que o coletor de cinzas de elevada capacidade está no lugar, antes de acender o grelhador.
- △ Os materiais inflamáveis não devem estar a 60 cm da parte superior, inferior, traseira ou lados do grelhador.
- △ Nunca se inclinar sobre o grelhador ao acender o queimador a gás.
- △ Não utilizar o grelhador com ventos fortes.
- △ Não utilizar o grelhador se existir uma fuga de gás.
- △ Não utilizar uma chama para verificar a existência de fugas de gás.
- △ Se o queimador se apagar em qualquer altura durante o funcionamento, desligar a válvula do reservatório. Retirar a tampa e aguardar cinco minutos antes de tentar reacender, utilizando as instruções para acender indicadas neste manual.
- △ Não tente desligar o regulador de gás do reservatório ou qualquer encaixe de gás quando o grelhador estiver em utilização.
- △ Utilizar apenas o regulador de gás LP fornecido com o grelhador.

△ ADVERTÊNCIAS

- △ Siga as instruções para a ligação do regulador para o seu tipo de grelhador a gás.
- △ Não armazenar um cartucho descartável LP suplente ou desligado sob ou perto do grelhador.
- △ Manter sempre o grelhador numa superfície segura e nivelada, sem materiais inflamáveis.
- △ Não colocar uma cobertura para grelhador nem nenhum material inflamável sob o grelhador ou na área de armazenamento por baixo dele.
- △ Retirar sempre a tampa antes de acender o queimador a gás, quer manualmente, quer o com a ignição. A tampa deve permanecer DESLIGADA até que o carvão esteja completamente aceso.
- △ Utilizar utensílios adequadas para grelhar, com pegas compridas e resistentes ao calor.
- △ Alguns modelos poderão incluir a funcionalidade de suporte de tampa TUCK-AWAY. O suporte de tampa TUCK-AWAY é utilizado para armazenar a tampa ao verificar ou virar os alimentos. Não utilizar o suporte de tampa TUCK-AWAY como uma pega para levantar ou mover o grelhador. Não colocar uma tampa quente sobre carpetes ou relva. Não pendurar a tampa na pega da tampa.
- △ Manusear e armazenar ignições elétricas quentes com cuidado.
- △ Manter os fios elétricos e os cabos de alimentação distantes de superfícies quentes do grelhador e distantes de áreas com bastante movimentação.
- △ Depois de um período de armazenamento e/ou não utilização, verifique se existem fugas de gás e obstruções no queimador antes de utilizar. Consulte as instruções neste manual para procedimentos corretos.
- △ A conversão ou tentativa de utilização de gás natural neste grelhador é perigosa e irá anular a garantia.
- △ Um cartucho LP descartável dentado ou ferrugento poderá ser perigoso e deve ser verificado pelo fornecedor de propano líquido. Não utilizar um cartucho LP descartável com uma válvula danificada.
- △ Embora o cartucho LP descartável possa parecer vazio, poderá ainda conter gás. O cartucho LP descartável deve ser armazenado tendo isto em consideração.
- △ Use luvas termorresistentes para barbecue (de acordo com a EN 407, nível de resistência ao calor de contacto 2 ou superior) ao cozinhar, ajustar a ventilação (válvulas de ventilação), adicionar carvão e manusear o termómetro ou a tampa.
- △ Se vir, cheirar ou ouvir gás a escapar do cartucho LP descartável:
 1. Afaste-se do cartucho LP descartável.
 2. Não tente corrigir o problema sozinho.
 3. Telefone aos bombeiros.

△ PRECAUÇÕES

- △ Forrar a tampa com folha de alumínio irá obstruir o fluxo de ar. Em alternativa, utilize uma caçarola para pingos, para apanhar os pingos da carne, ao cozinhar utilizando o método indireto.
- △ A utilização de objetos pontiagudos para limpar a grelha de confeção ou retirar cinzas irá danificar o acabamento.
- △ A utilização de agentes de limpeza abrasivos nas grelhas de confeção ou no próprio grelhador irão danificar o acabamento.
- △ O grelhador deve ser limpo cuidadosamente com regularidade.

Obrigado por adquirir um produto WEBER. A Weber-Stephen Products LLC, 1415 S. Roselle Road, Palatine, Illinois 60067 USA ("WEBER") orgulha-se por fornecer um produto seguro, durável e fiável.

Esta Garantia Voluntária da WEBER é-lhe fornecida sem custos adicionais. Contém as informações necessárias para reparar o produto WEBER na eventualidade de uma falha ou defeito.

Em conformidade com as leis aplicáveis, o cliente tem vários direitos caso o produto esteja com defeito. Esses direitos incluem desempenho suplementar ou substituição, redução do preço de compra e indemnização. Na União Europeia, por exemplo, tal seria uma garantia legal de dois anos com início na data da entrega do produto. Estes e outros direitos legais permanecem inalterados pela disposição desta garantia. Na verdade, esta garantia concede direitos adicionais ao proprietário, independentemente das disposições da garantia legal.

GARANTIA VOLUNTÁRIA DA WEBER

A WEBER garante, ao comprador do produto WEBER (ou no caso de uma oferta ou promoção, à pessoa a quem foi oferecido), que o produto WEBER está livre de defeitos de material e mão-de-obra no(s) período(s) de tempo especificado(s) abaixo quando montado e utilizado de acordo com o Manual do Utilizador que acompanha o produto. (Nota: se perder o Manual de Utilizador da WEBER, encontra-se disponível uma cópia online em www.weber.com ou site Web específico do país para o qual o Proprietário possa ser redireccionado.) Caso a utilização e manutenção seja efectuada numa residência familiar ou apartamento, a WEBER concorda ao abrigo da presente garantia, em reparar ou substituir peças defeituosas nos períodos de tempo aplicáveis, limitações e exclusões listados abaixo. NA MEDIDA ADMISSÍVEL PELA LEI APLICÁVEL, ESTA GARANTIA LIMITADA SÓ SE APLICA AO COMPRADOR ORIGINAL E NÃO É TRANSFERÍVEL A FUTUROS UTILIZADORES, SALVO EM SITUAÇÕES DE OFERTAS OU PROMOÇÕES CONFORME MENCIONADO ACIMA.

RESPONSABILIDADES DO PROPRIETÁRIO AO ABRIGO DESTA GARANTIA

Para garantir uma cobertura de garantia sem problemas, é importante (mas não necessário) que registe o seu produto WEBER online em www.weber.com ou no site Web específico do país para o qual o Proprietário possa ser redireccionado). Guarde o recibo de compra original e/ou factura. Registrar o produto WEBER confirma a cobertura da garantia e fornece uma ligação directa entre o utilizador e a WEBER caso seja necessário entrar em contacto consigo.

A garantia acima só se aplica se o Proprietário tomar medidas razoáveis com o produto WEBER seguindo as instruções de montagem, de utilização e de manutenção preventiva conforme delineado no Manual do Utilizador fornecido, salvo se o Proprietário conseguir provar que o defeito ou avaria não foi provocado por inobservância das obrigações supracitadas. Se residir numa área costeira ou o produto estiver perto de uma piscina, a manutenção inclui a lavagem e enxaguamento regular das superfícies exteriores conforme indicado no Manual do Utilizador que acompanha o produto.

TRATAMENTO/EXCLUSÃO DA GARANTIA

Se considerar que possui uma peça abrangida por esta Garantia, entre em contacto com o Serviço de Assistência da WEBER utilizando as informações de contacto do nosso site Web (www.weber.com ou do site Web específico do país para o qual o Proprietário possa ser redireccionado). A WEBER, após investigação, reparará ou substituirá (ao seu critério) uma peça defeituosa ao abrigo da presente Garantia. Caso não seja possível a reparação ou substituição, a WEBER pode optar (ao seu critério) por substituir o grelhador em questão por um novo ou por um grelhador de valor igual ou superior. A WEBER pode solicitar-lhe a devolução de peças para inspecção, sendo as despesas de envio pré-pagas.

Esta GARANTIA caduca se houver danos, deteriorações, descolorações e/ou ferrugem pelos quais a WEBER não é responsável provocados por:

- Abuso, utilização incorrecta, alteração, modificação, aplicação incorrecta, vandalismo, negligência, montagem ou instalação incorrecta e falha na realização da manutenção normal e de rotina;
- Insectos (tal como aranhas) e roedores (tal como esquilos), incluindo mas não limitado a, danos dos tubos do queimador e/ou manguerias de gás;
- Exposição a maresia e/ou fontes de cloro tais como piscinas e banheiras de hidromassagem/spas;
- Condições climáticas rigorosas tais como granizo, furacões, terremotos, tsunamis ou explosões, tornados ou fortes tempestades.

A utilização e/ou instalação de peças no produto WEBER que não sejam peças genuínas da WEBER anularão a presente Garantia Limitada e quaisquer danos resultantes não serão abrangidos pela Garantia. Qualquer transformação de um grelhador a gás não autorizada pela WEBER e realizada por um técnico de assistência autorizado da WEBER anulará a presente Garantia.

PERÍODOS DE GARANTIA DO PRODUTO

Cuba, tampa e anel central:
10 anos, contra ferrugem/aberturas

Sistema de limpeza ONE-TOUCH:
5 anos, contra ferrugem/aberturas

Componentes de plástico:
5 anos, excluindo desgaste ou descoloração

Todas as restantes peças:
2 anos

ISENÇÕES DE RESPONSABILIDADE

ALÉM DA GARANTIA E DAS ISENÇÕES DE RESPONSABILIDADE DESCRITAS NESTA DECLARAÇÃO DE GARANTIA, NÃO EXISTEM EXPLICITAMENTE MAIS DECLARAÇÕES DE GARANTIA OU VOLUNTÁRIAS DE RESPONSABILIDADE AQUI PRESENTES QUE VÃO ALÉM DA RESPONSABILIDADE ESTATUTÁRIA APLICÁVEL À WEBER. A DECLARAÇÃO DE GARANTIA PRESENTE TAMBÉM NÃO LIMITA NEM EXCLUI SITUAÇÕES OU REIVINDICAÇÕES NAS QUAIS A WEBER POSSUI RESPONSABILIDADE OBRIGATÓRIA CONFORME PRESCRITO PELA LEI.

NÃO SERÃO APLICÁVEIS QUAISQUER GARANTIAS APÓS OS PERÍODOS APLICÁVEIS DA PRESENTE GARANTIA. NENHUMAS GARANTIAS FORNECIDAS POR QUALQUER PESSOA, INCLUINDO UM FORNECEDOR OU REVENDEDOR REFERENTES A QUALQUER PRODUTO (TAIS COMO QUAISQUER "GARANTIAS ALARGADAS") VINCLAM A WEBER. O ÚNICO RECURSO DA PRESENTE GARANTIA É A REPARAÇÃO OU SUBSTITUIÇÃO DA PEÇA OU PRODUTO.

EM CASO, AO ABRIGO DA PRESENTE GARANTIA VOLUNTÁRIA, ALGUM A INDEMNIZAÇÃO SERÁ SUPERIOR AO VALOR DO PREÇO DE COMPRA DO PRODUTO WEBER VENDIDO.

O UTILIZADOR É RESPONSÁVEL PELA PERDA, DANOS, LESÕES PESSOAIS E DANOS MATERIAIS E/OU LESÕES DE TERCEIROS E DANOS À SUA PROPRIEDADE RESULTANTES DA UTILIZAÇÃO INCORRECTA, ABUSO DO PRODUTO OU NÃO CUMPRIMENTO DAS INSTRUÇÕES FORNECIDAS PELA WEBER NO MANUAL DO UTILIZADOR QUE ACOMPANHA O PRODUTO.

AS PEÇAS E ACESSÓRIOS SUBSTITUÍDOS AO ABRIGO DA PRESENTE GARANTIA SÃO GARANTIDAS APENAS PARA O(S) PERÍODO(S) DE GARANTIA ORIGINAL(IS) SUPRACITADO(S).

ESTA GARANTIA APLICA-SE APENAS À UTILIZAÇÃO EM RESIDÊNCIAS FAMILIARES OU APARTAMENTOS E NÃO SE APLICA A GRELHADORES WEBER UTILIZADOS EM AMBIENTES COMERCIAIS, COMUNITÁRIOS OU COM VÁRIAS UNIDADES TAIS COMO RESTAURANTES, HOTÉIS, ESTÂNCIAS OU PROPRIEDADES DE LOCAÇÃO.

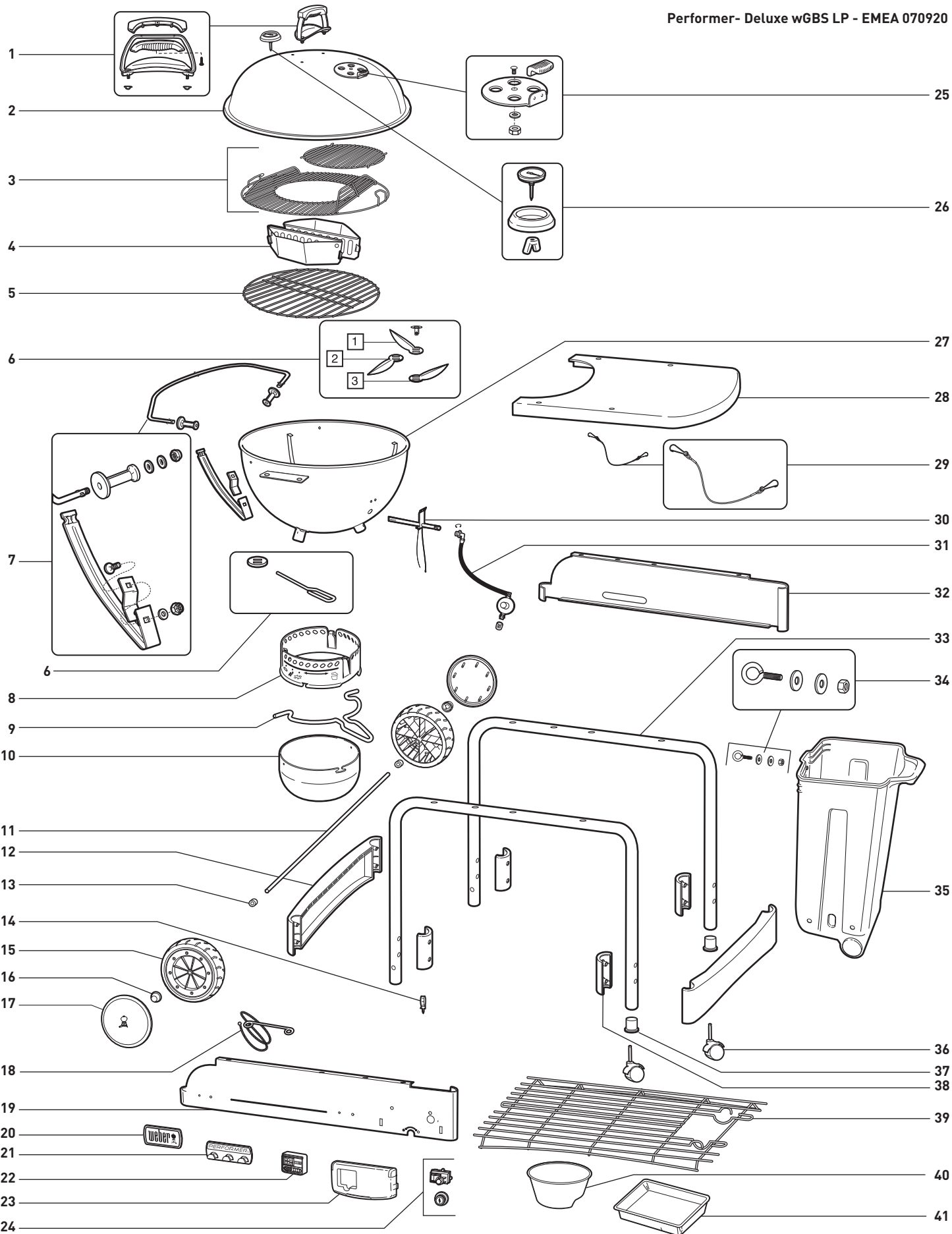
A WEBER PODE, PERIODICAMENTE, ALTERAR O DESIGN DOS SEUS PRODUTOS. NADA QUE ESTEJA CONTIDO NESTA GARANTIA SERÁ INTERPRETADO COMO OBRIGAÇÃO DA WEBER PARA INCORPORAR ALTERAÇÕES DE DESIGN EM PRODUTOS ANTERIORMENTE FABRICADOS, NEM ESSAS ALTERAÇÕES PODEM SER INTERPRETADAS COMO UM RECONHECIMENTO DE QUE OS DESIGNS ANTERIORES ESTAVAM DEFEITUOSOS.

TUBO, REGULADOR E VÁLVULA DE SUBSTITUIÇÃO

⚠ AVISO IMPORTANTE: Recomendamos que substitua o tubo do gás do seu grelhador a gás Weber cada 5 anos. Alguns países podem requerer que o tubo do gás seja substituído num espaço inferior a 5 anos e, nesse caso, o requisito desse país tem precedência.

Para obter um tubo, regulador e válvula de substituição, contacte o representante do serviço de assistência ao cliente da sua zona através da informação de contacto contida no nosso Web site. Aceda a www.weber.com.

PAÍS		TIPO E PRESSÃO DE GÁS
Dinamarca, Suécia, Noruega, Finlândia, Inglaterra, Holanda, Reino Unido, França, Espanha, Portugal, Bélgica, Irlanda, Grécia, Luxemburgo, Itália, Alemanha, Áustria		I _{3B/P} - 29 mbar
DADOS DE CONSUMO		
Acendimento do queimador. Máx.		
Mistura de propano/butano	kW	g/h
	2,6	192



- | | | |
|---------------------------------------------------------------|----------------------------------------|----------------------------------------------------------|
| 1. Montagem da pega da tampa | 15. Roda | 29. Corrente de retenção CHARBIN |
| 2. Tampa | 16. Tampão do cubo da roda | 30. Montagem do queimador |
| 3. Grelha de confeitã GBS | 17. Cobertura da roda | 31. Regulador da mangueira com braçadeira para orifícios |
| 4. CHAR-BASKETS | 18. Suporte para fósforos | 32. Painel traseiro |
| 5. Grelha de carvão | 19. Painel dianteiro | 33. Estrutura do pé |
| 6. Sistema de limpeza ONE-TOUCH | 20. Placa do logótipo | 34. Equipamento CHARBIN |
| 7. Montagem do suporte inferior do suporte de tampa TUCK-AWAY | 21. Suporte de utensílios | 35. CHARBIN |
| 8. Anel do coletor de cinzas | 22. Temporizador digital de confeitã | 36. Bloqueio dos rodízios |
| 9. Pega do coletor de cinzas | 23. Cobertura do controlo de gás | 37. Inserção dos rodízios |
| 10. Coletor de cinzas de elevada capacidade | 24. Botão da ignição/Módulo da ignição | 38. Grampo do suporte da estrutura do pé |
| 11. Eixo | 25. Montagem do abafador da tampa | 39. Suporte inferior |
| 12. Suporte da estrutura do pé | 26. Montagem do termómetro | 40. Taça de carvão |
| 13. Espaçador de roda | 27. Taça | 41. Caçarola descartável para pingos |
| 14. Permanência do fio de ignição | 28. Mesa | |

Se tiver questões ou precisar de conselhos em relação ao grelhador ou ao respetivo funcionamento seguro, inicie sessão em www.weber.com.

- Estas instruções irão fornecer-lhe os requisitos mínimos para montar a churrasqueira WEBER. Leia as instruções cuidadosamente antes de utilizar a churrasqueira WEBER. Uma montagem indevida poderá ser perigosa.
- Não se destina à utilização por crianças.
- Esta churrasqueira WEBER foi concebida para utilização apenas com uma mistura de gás propano/butano. Não utilizar com gás natural. A válvula e o regulador destinam-se apenas a uma mistura de gás propano/butano.
- Esta churrasqueira WEBER não se destina a uso comercial.
- O uso do álcool e de drogas vendidas com e sem receita podem prejudicar a capacidade do utilizador na montagem correta ou na utilização do aparelho com segurança.

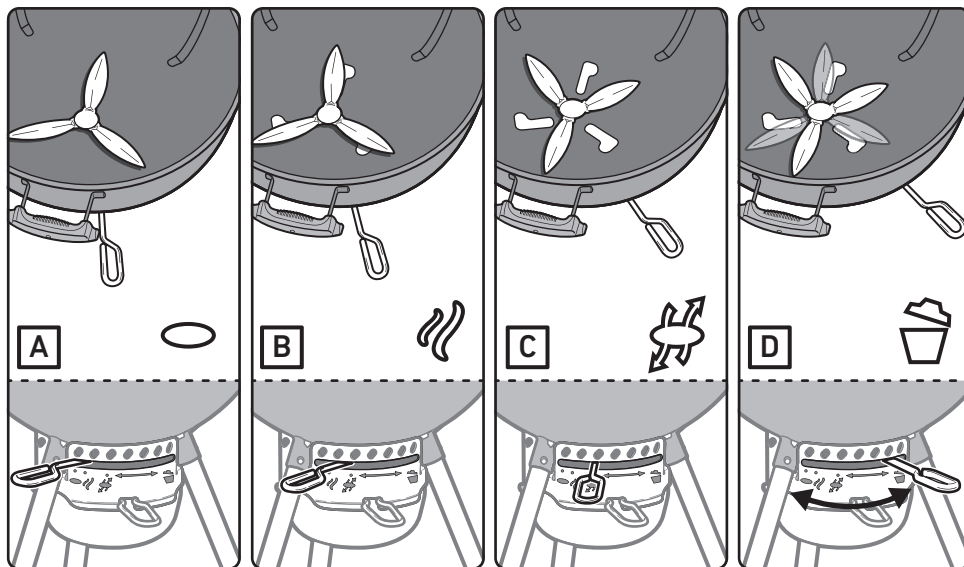
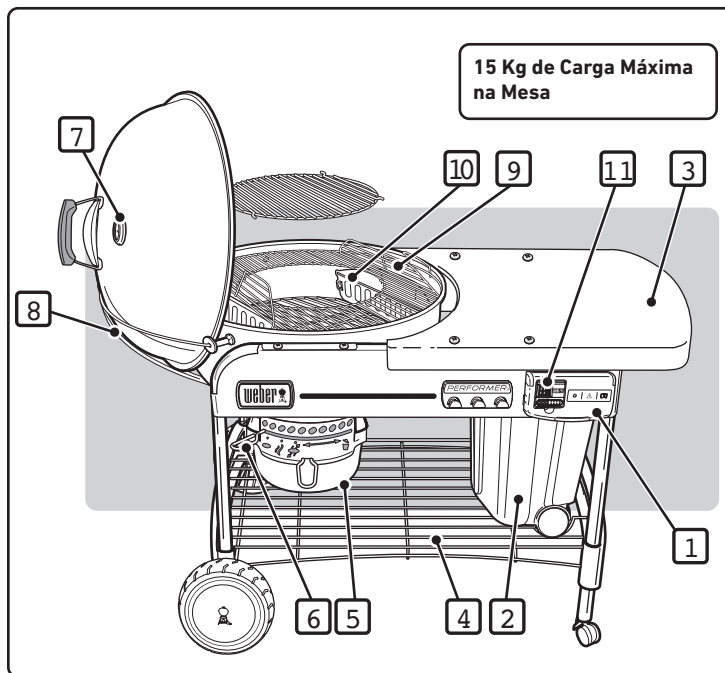
FUNCIONALIDADES

- A) Sistema exclusivo de ignição a gás TOUCH-N-GO retira o incómodo de acender briquetes de carvão (1). Basta premir e manter o botão premido e o queimador a gás do sistema acende-se, ateando o carvão. Não são necessários líquidos de ignição perigosos na utilização ou no armazenamento e os alimentos não ficarão com gosto a líquido de ignição.
- B) O recipiente de armazenamento CHARBIN contém um saco de carvão com um peso máximo de 13,7 kg (2). O saco de carvão deve ser colocado no recipiente de armazenamento CHARBIN.
- C) A superfície de trabalho em metal funciona como uma excelente área de trabalho e cobre o recipiente de armazenamento CHARBIN para manter os briquetes secos (3).
- D) Prático suporte inferior para armazenamento (4).
- E) Coletor de cinzas de elevada capacidade bloqueia no lugar, eliminando cinzas sopradas (5).
- F) Sistema de limpeza ONE-TOUCH limpa facilmente as cinzas ou abre e fecha os orifícios de ventilação (6).
- G) Termómetro controla a temperatura de confeção no grelhador (7).
- H) Tampa TUCK-AWAY desliza para o suporte da tampa em aço inoxidável e age como um para-brisas ao acender os briquetes (8).
- I) A grelha de confeção com dobradiças GOURMET BBQ SYSTEM (GBS) (9), abas de acesso com dobradiças abrem-se na grelha de confeção para adição fácil de briquetes ou pedaços de madeira durante a confeção. Inclui aplicação para utilização diária. Adapta-se à gama completa dos acessórios GOURMET BBQ SYSTEM.
- J) CHAR-BASKET™ os suportes de combustível de carvão permitem uma flexibilidade de confeção indireta prática e direta concentrada com madeira ou carvão (10).
- K) Temporizador digital de confeção (11).

- Esta churrasqueira WEBER não se destina a aquecimento e nunca deverá ser utilizada como um aquecedor.
- Não deixe a churrasqueira WEBER sem vigilância. Mantenha sempre as crianças e os animais distantes da churrasqueira WEBER.
- Quaisquer partes seladas pelo fabricante não devem ser alteradas pelo utilizador.
- Qualquer modificação do aparelho pode ser perigosa.
- Desligue o cilindro se: 1) estiver vazio; 2) o grelhador for armazenado numa garagem ou outro espaço fechado; 3) o grelhador estiver a ser transportado.

⚠ **Não mova o aparelho durante a utilização. Deixe o grelhador arrefecer antes de movê-lo.**

⚠ **Este aparelho não se destina a aquecimento e nunca deverá ser utilizado como um aquecedor.**



PT A - Orifícios de ventilação fechados B - Low and Slow C - Orifícios de ventilação abertos D - Limpar as cinzas

⚠ **AVISO: Se usar um acendedor líquido verifique sempre o tabuleiro de recolha de cinzas antes de acender. O líquido pode acumular-se no tabuleiro de recolha de cinzas e pode incendiar-se, resultando em fogo sob a cuba. Retire qualquer acendedor líquido que se encontre no tabuleiro de recolha de cinzas antes de acender o carvão.**

LIGAR O CARTUCHO DESCARTÁVEL DE GPL

Utilize cartuchos descartáveis de GPL com um mínimo de capacidade de 430 g e um máximo de capacidade de 460 g. O cartucho deverá possuir uma válvula EN417, conforme ilustrado. Um tipo de cartucho que se pode utilizar é o modelo Primus 2202 ou o cartucho descartável de gás WEBER Q.

⚠ ATENÇÃO: Utilize apenas bilhas marcadas com gás propano ou mistura de butano-propano.

Empurre o cartucho descartável de GPL para o interior do regulador e rode no sentido dos ponteiros do relógio até ficar apertado.

⚠ AVISO: Apertar apenas à mão. Se utilizar demasiada força, poderá danificar o acoplamento do regulador e provocar uma fuga ou falta de fluxo de gás.

VERIFIQUE SE EXISTEM FUGAS DE GÁS:**⚠ PERIGO**

Não utilize uma chama aberta para verificar se existem fugas de gás. Certifique-se de que não existem faíscas ou chamas abertas na área enquanto estiver a verificar a existência de fugas. As faíscas ou chamas poderão resultar em incêndio ou explosão, que poderá causar ferimentos graves ou morte ou ainda danos materiais.

É necessário: um cartucho descartável de GPL, uma solução de água e detergente e um pano ou escova para a aplicar.

- Misture a água com detergente.
- Rode o controlo de gás para ON (ligado) rodando-o no sentido contrário ao dos ponteiros do relógio.
- Verifique se existem fugas molhando o acessório com a solução de água e detergente e verificando se surgem bolhas. Se surgirem bolhas, ou se uma bolha aumentar, é sinal de que existe uma fuga.

VERIFIQUE:

- Ligação entre o regulador e o cartucho descartável de GPL.

⚠ AVISO: Se existir uma fuga na ligação (1), retire o cartucho descartável de GPL. Não utilize o grelhador. Utilize outro cartucho descartável de GPL e volte a verificar se existem fugas utilizando a solução de água com detergente. Se continuar a existir uma fuga após apertar o cartucho de GPL, desligue (OFF) o gás. **NÃO UTILIZE O GRELHADOR.** Contacte o representante do serviço de assistência ao cliente da sua área através da informação de contacto disponível no nosso website.

Aceda a www.weber.com.

VERIFIQUE:

- As ligações da válvula para o regulador.

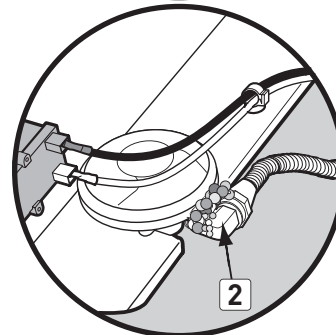
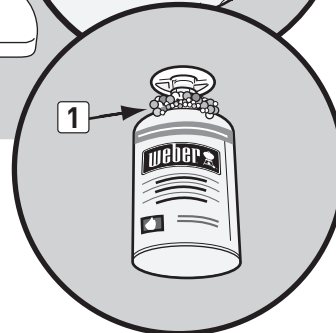
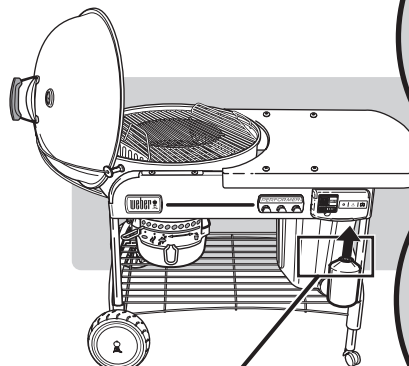
⚠ AVISO: Se existir uma fuga na ligação (2), **DESLIGUE** o gás. **NÃO UTILIZE O GRELHADOR.** Contacte o representante do serviço de assistência ao cliente da sua região através da informação de contacto disponível no nosso website.

Aceda a www.weber.com.

Quando a verificação da existência de fugas estiver terminada, **DESLIGUE** o fornecimento de gás na fonte e enxagúe as ligações com água.

⚠ PERIGO

Não armazene cartuchos de reserva de GPL por baixo ou perto do equipamento.



ACENDER

⚠ PERIGO

Abra a tampa antes de acender o grelhador. Nunca utilize líquidos inflamáveis, tais como fluido de ignição, gasolina, álcool ou qualquer forma de carvão auto-combustível, inclusive quando se acende o grelhador manualmente. Caso contrário, poderá provocar ferimentos graves ou morte.

A) Retire a tampa da grelha antes de utilizar o gás.

⚠ **PERIGO: Se não retirar a tampa, verifica-se uma acumulação de gás, que pode provocar um incêndio ou explosão, ferimentos graves ou morte, bem como danos materiais.**

B) Abra os amortecedores da taça inferior (1).

C) Posicione os CHAR-BASKETS sobre o queimador (2).

D) Prima as patilhas na tampa de controlo de gás (3) e leve-a para abrir.

E) Ligue o fornecimento de gás (no sentido contrário ao dos ponteiros do relógio) pelo menos uma volta completa (4).

⚠ **AVISO: Não se incline sobre o grelhador aberto quando o acender.**

F) Prima continuamente o botão de ignição até o queimador acender (5).

⚠ **ATENÇÃO: Pode ser difícil ver a chama num dia de sol.**

G) Quando o carvão se acender (cerca de 5 minutos), DESLIGUE o manípulo de controlo de gás (no sentido dos ponteiros do relógio) até fechar.

⚠ **ATENÇÃO: Certifique-se de que a tampa está totalmente fechada.**

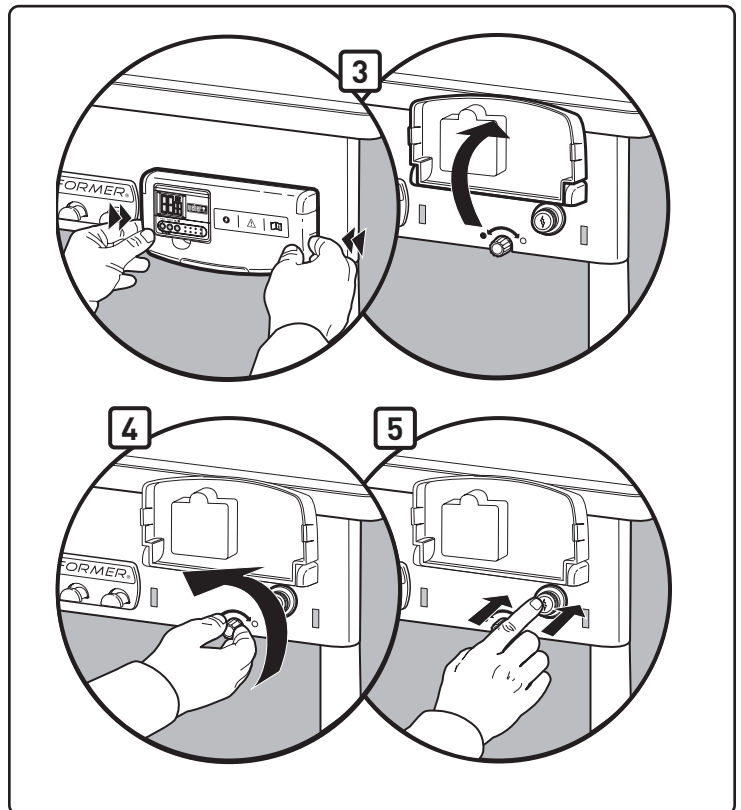
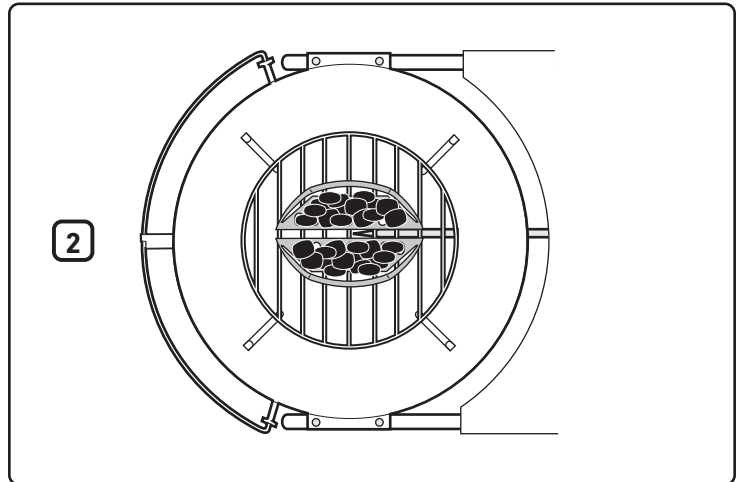
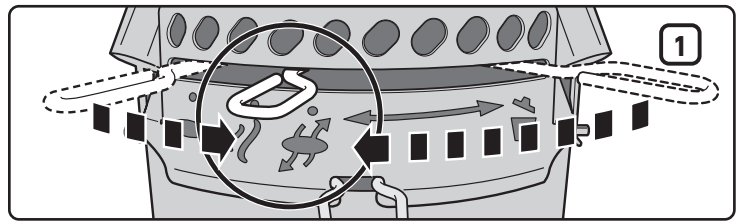
Nota - O funcionamento prolongado do depósito reduz a respectiva vida útil.

H) Pode começar a grelhar quando os briquetes apresentarem uma fina camada de cinza cinzenta (cerca de 25-30 minutos).

PARA APAGAR

DESLIGUE o manípulo de controlo de gás (no sentido dos ponteiros do relógio) até fechar.

⚠ **Use luvas para barbecue (de acordo com a EN 407, nível de resistência ao calor de contacto 2 ou superior) e use pinças para reposicionar os CHAR-BASKETS sobre o queimador.**



ACENDIMENTO MANUAL

⚠ **AVISO:** não tente acender manualmente sem usar o suporte para fósforos.

⚠ PERIGO

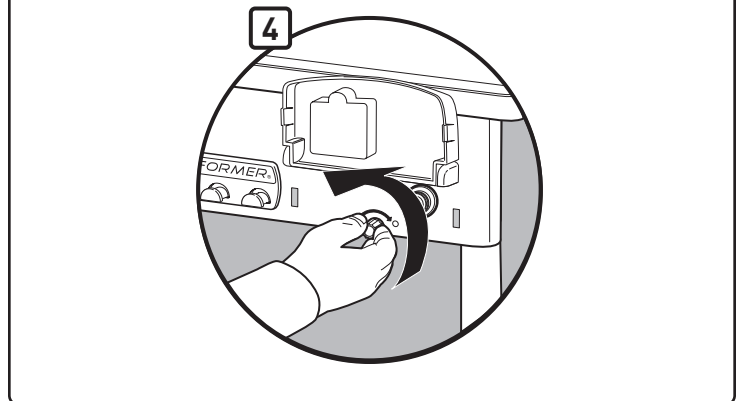
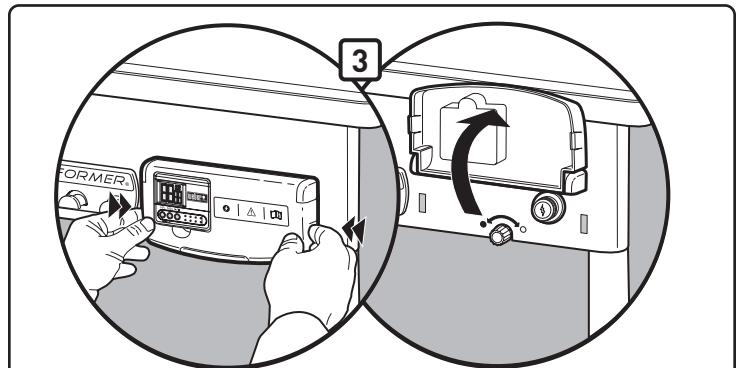
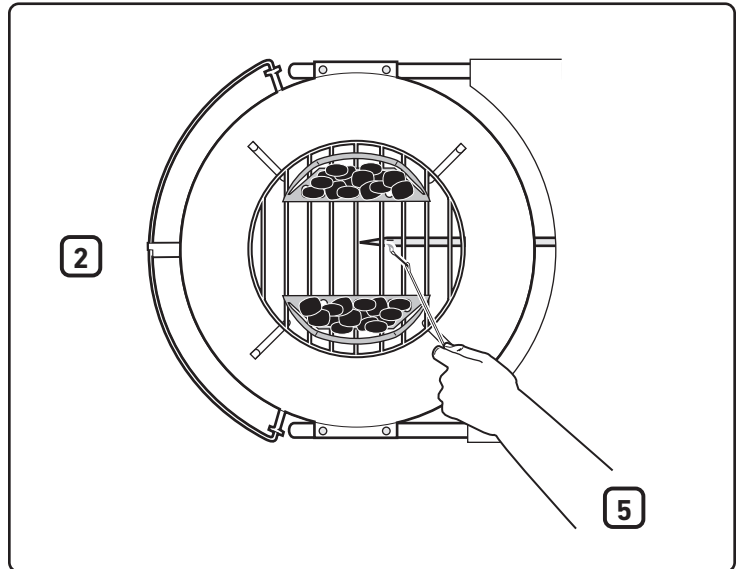
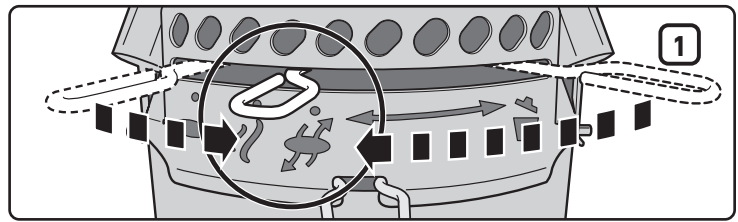
Abra a tampa antes de acender o grelhador. Nunca utilize líquidos inflamáveis, tais como fluido de ignição, combustível, álcool ou qualquer forma de carvão auto-combustível, inclusive quando se acende o grelhador manualmente. Caso contrário, poderá provocar ferimentos graves ou morte.

- A) Retire a tampa da grelha antes de utilizar o gás.
- ⚠ **PERIGO:** Se não retirar a tampa, verifica-se uma acumulação de gás, que pode provocar um incêndio ou explosão, ferimentos graves ou morte, bem como danos materiais.
- B) Abra os amortecedores da taça inferior (1).
- C) Afaste os CHAR-BASKETS do queimador (2).
- D) Prima as patilhas na tampa de controlo de gás (3) e eleve-a para abrir.
- E) Coloque um fósforo no suporte. Acenda o fósforo.
- F) Ligue o fornecimento de gás (no sentido contrário ao dos ponteiros do relógio) pelo menos uma volta completa (4).
- G) Posicione a chama do fósforo na parte de trás da abertura do queimador (5).
- ⚠ **AVISO:** Não mantenha a mão directamente sobre o queimador ao acender manualmente.
- ⚠ **AVISO:** Não se incline sobre o grelhador aberto quando o acender.
- ⚠ **ATENÇÃO:** Pode ser difícil ver a chama num dia de sol.
- H) Use luvas de churrasco e pinças para reposicionar os CHAR-BASKETS sobre o queimador.
- I) Quando o carvão se acender, (cerca de 5 minutos), DESLIGUE o controlo de gás (no sentido dos ponteiros do relógio) até fechar.
- J) Pode começar a grelhar quando os briquetes apresentarem uma fina camada de cinza cinzenta (cerca de 25-30 minutos).

PARA APAGAR

DESLIGUE o manípulo de controlo de gás (no sentido dos ponteiros do relógio) até fechar.

⚠ **Use luvas para barbecue (de acordo com a EN 407, nível de resistência ao calor de contacto 2 ou superior) e use pinças para reposicionar os CHAR-BASKETS sobre o queimador.**



FUNCIONAMENTO DO TEMPORIZADOR

O temporizador digital resistente à água fornece contagens crescentes e decrescentes em horas, minutos e segundos.

Para definir o tempo para contagem decrescente:

- Prima o botão **Start/Stop (Iniciar/Parar):** ► / ■ para acender a luz de apoio.
- Prima o botão **HR button (1)** para definir o número das horas. Mantenha o botão premido para avançar nos dígitos (definição máxima: 99 horas) (4).
- Prima o botão **MIN button (2)** para definir o número de minutos. Mantenha o botão premido para avançar nos dígitos (definição máxima: 59 minutos) (5).
- Quando o tempo estiver definido, prima o botão **Start/Stop: ► / ■ button (3)** para iniciar a contagem decrescente.
- Quando o tempo estiver definido, o alarme irá tocar durante 30 segundos e reiniciar automaticamente a contagem decrescente a partir da definição anterior de tempo.

IMPORTANTE

Quando faltar mais de uma hora no temporizador da contagem decrescente, H e M (Horas e Minutos) irão piscar intermitentemente; os números irão fazer a contagem decrescente a cada minuto. Quando faltar menos de uma hora no temporizador, H e M passam para M e S (Minutos e Segundos) e os segundos fazem a contagem decrescente; os números irão fazer a contagem decrescente a cada segundo.

Para apagar o tempo:

- Prima o botão **Start/Stop (Iniciar/Parar):** ► / ■ para acender a luz de apoio.
- Prima os botões **HR e MIN:** ↻ simultaneamente (1)(2).

Para definir o tempo para contagem crescente:

- Prima o botão **Start/Stop (Iniciar/Parar):** ► / ■ para acender a luz de apoio.
- Prima o botão **Start/Stop (Iniciar/Parar):** ► / ■ novamente para iniciar a contagem crescente. Ao fazer a contagem crescente, o visor irá apresentar a leitura nos formatos de hora/minuto e minuto/segundo.
- Prima o botão **Start/Stop (Iniciar/Parar):** ► / ■ duas vezes para parar o temporizador. A contagem crescente irá parar após 99 horas (4), 59 minutos (5).

Desligar automaticamente:

- Para poupar as pilhas, a luz de apoio desliga-se após 10 segundos. O temporizador irá desligar-se completamente após 10 minutos de inatividade.

Observação: Se estiver a utilizar o temporizador num ambiente sujeito a descargas eletrostáticas (eletricidade estática), a definição do temporizador poderá perder-se. Se tal acontecer, redefina o temporizador.

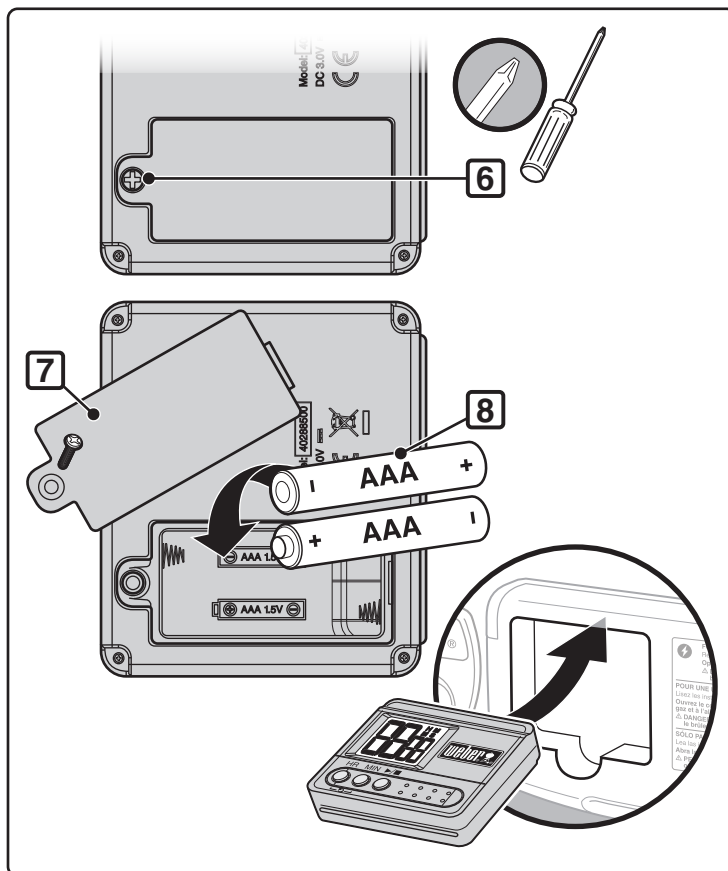
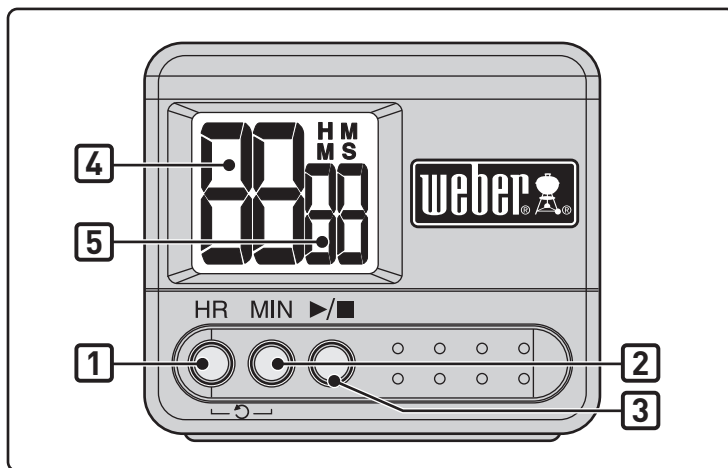
Instalação das pilhas:

- Utilize uma chave de fenda para soltar o compartimento de pilhas na parte traseira do temporizador (6) rodando o parafuso para a direita.
- Retire a tampa das pilhas da parte traseira do temporizador (7).
- Coloque ou substitua as pilhas AAA (8).
- Coloque a tampa das pilhas.
- Aperte a tampa das pilhas, rodando o parafuso para a esquerda com uma chave de fenda.
- Após a instalação das pilhas, (0000) será apresentado no ecrã LCD.

Manutenção:

- Não limpar o temporizador com um composto abrasivo ou corrosivo. Tal poderá riscá-lo ou corroer os circuitos eletrónicos.
- Não sujeite o temporizador a força excessiva, impactos, pó nem o exponha a temperaturas ou humidade excessivas. Tal poderá resultar em funcionamento indevido, vida reduzida dos componentes eletrónicos, danos nas pilhas ou peças danificadas.
- Não altere os componentes internos do temporizador. Tal poderá invalidar a garantia do temporizador e poderá provocar danos desnecessário nas pilhas e componentes internos.
- Não sujeite o temporizador à exposição excessiva a luz solar direta ou a chuva intensa.
- Não imerja o temporizador em água.

Para melhor desempenho, é recomendável levar o temporizador para o interior quando não estiver em utilização.



PROBLEMA	VERIFIQUE	SOLUÇÃO
O queimador queima com uma chama amarela ou cor-de-laranja, juntamente com o cheiro a gás.	Inspeccione o queimador relativamente a obstruções.	Limpe o queimador. (Consulte a secção "Manutenção")
O queimador não se acende ou a chama está fraca.	O nível de combustível GPL está baixo ou vazio?	Substitua a botija de GPL.
	O tubo flexível de combustível está dobrado?	Endireite o tubo flexível de combustível.
	O queimador acende-se com um fósforo?	Se conseguir acender o queimador com um fósforo, verifique o sistema de ignição.
	A ligação entre o tubo flexível e o tubo do queimador está segura?	Ligue o tubo de gás ao tubo do queimador utilizando o grampo de retenção em metal fornecido. ⚠ PERIGO: Não utilize a ignição de gás se o grampo de retenção estiver ausente. A ausência do grampo de retenção pode provocar ferimentos graves ou morte, bem como danos materiais. Contacte o serviço de assistência ao cliente para substituir o grampo de retenção.
O padrão de chama do queimador não é constante.	O queimador está limpo?	Limpe o queimador. (Consulte a secção "Manutenção")
O queimador não acende quando prime o botão de ignição.	Certifique-se de que existe um fluxo de gás para os queimadores tentando acender os queimadores através de fósforos. Consulte "IGNIÇÃO MANUAL."	Se o acendimento através de fósforos for bem sucedido, o problema reside no sistema de ignição. Consulte: "FUNCIONAMENTO DO SISTEMA DE IGNIÇÃO ELECTRÓNICA."
	Tem um pilha nova instalada?	Certifique-se de que a pilha está em bom estado e instalada correctamente. Consulte "INSPECÇÃO DA IGNIÇÃO ELECTRÓNICA."
	Os fios estão bem ligados ao módulo de ignição?	Certifique-se de que os fios estão bem introduzidos nos terminais na caixa de ignição. Consulte: "FUNCIONAMENTO DO SISTEMA DE IGNIÇÃO ELECTRÓNICA."
	Existe uma película de plástico a envolver a pilha nova?	Retire a película de plástico.
O temporizador não funciona.	Foram colocadas pilhas novas?	Verifique se as pilhas estão em boas condições e instaladas correctamente. Consulte "FUNCIONAMENTO DO TEMPORIZADOR."
O interior da tampa parece estar a descascar. (Semelhante a tinta a descascar.)	O que provavelmente está a ver é gordura já cozida que se transformou em carvão e está agora a cair em flocos. NÃO SE TRATA DE UM DEFEITO.	Limpe cuidadosamente. (Consulte a secção "Limpeza")
Se os problemas não puderem ser resolvidos com estes métodos, contacte o representante do serviço de assistência ao cliente da sua área através da informação de contacto contida no nosso website. Aceda a www.weber.com .		

MANUTENÇÃO

Após um período de não utilização, recomendamos que efectue os seguintes procedimentos de manutenção, para sua própria segurança.

- Verifique sempre a existência de amolgadelas, fissuras, abrasões ou cortes no tubo flexível, antes de utilizar o grelhador. Se o tubo flexível estiver de alguma forma danificado, não utilize o grelhador. Substitua utilizando apenas peças de substituição aprovadas pela WEBER. **Contacte o representante do serviço de assistência ao cliente da sua área através da informação de contacto disponível no nosso website. Aceda a www.weber.com.**

⚠ ATENÇÃO: Se o tubo de gás do grelhador estiver danificado ou apresentar fugas, não utilize o grelhador.

- Inspeccione o queimador relativamente ao padrão de chama correcto (consulte a secção "Padrão de chama do queimador"). Se necessário, limpe o queimador de acordo com os procedimentos indicados nesta secção.
- Verifique todos os acessórios de gás relativamente a fugas (consulte a secção "Verificar fugas de gás").

LIMPEZA PERIÓDICA

Para remover cinzas da taça, desloque a haste de controlo (1) de um lado para o outro de modo a que as lâminas do amortecedor varram as cinzas através das aberturas da taça para o interior do colectador de cinzas.

⚠ ATENÇÃO: Certifique-se de que o queimador está DESLIGADO e de que o grelhador está frio antes de limpar.

Durante a limpeza, não alargue as aberturas do queimador.

Para limpar o queimador:

- Escove o exterior do tubo do queimador (2) e a secção de abertura do mesmo (3) com uma escova metálica.

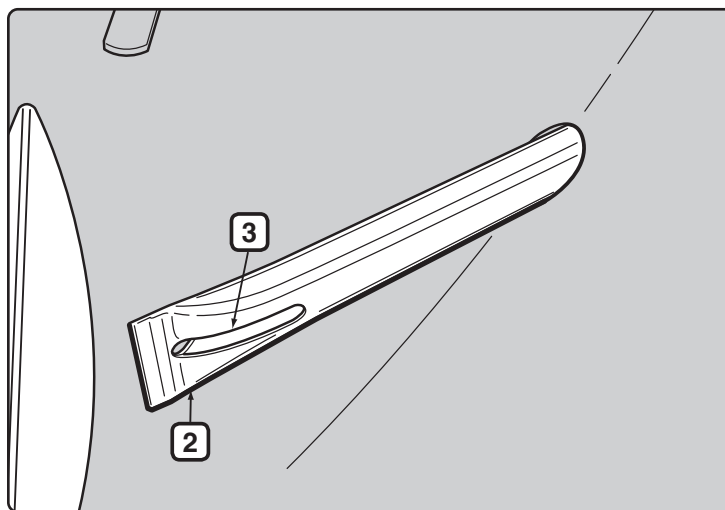
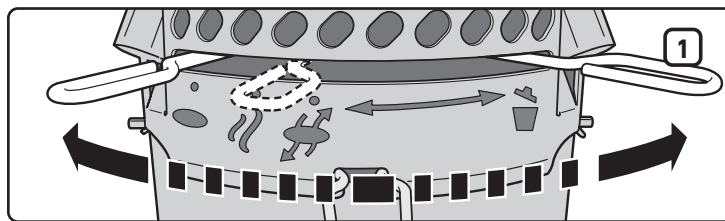
⚠ ATENÇÃO: Durante a limpeza, não alargue as aberturas do queimador nem o orifício de saída do gás.

Para limpar a chaleira:

- Com a tampa morna, limpe o interior com um guardanapo de papel para evitar a acumulação de sujidade.
- Para a superfície exterior, use uma solução de água morna com detergente e enxágue bem com água limpa.

Para uma limpeza mais profunda (pelo menos uma vez por ano):

- Remova as cinzas quando as brasas estiverem totalmente apagadas.
- Remova as grelhas e os CHAR-BASKETS.
- Limpe com guardanapos de papel. Lave o grelhador com um detergente suave e água. Passe bem por água limpa e seque.



ARMAZENAMENTO

- O grelhador é guardado no interior, o fornecimento de gás tem de ser desligado e a botija de GPL guardada no exterior, num espaço bem ventilado.
- As botijas de GPL devem ser guardadas no exterior, num espaço bem ventilado, fora do alcance das crianças, não devendo ser guardadas em edifícios, garagens ou outras áreas fechadas.
- Após um período de armazenamento e/ou não utilização, o grelhador deve ser verificado relativamente a fugas de gás e obstruções no tubo do queimador antes de o utilizar (consulte a secção "Manutenção").
- Verifique se as áreas em torno do depósito, o tubo e o queimador estão isentas de resíduos que possam obstruir o fluxo de gás ou ar antes da utilização.

ALERTA DE INSECTOS

O seu grelhador, bem como qualquer outro equipamento a gás para exteriores, é um alvo para aranhas e outros insectos. Estes insectos podem fazer ninho na secção venturi (1) do tubo do queimador, fazendo com que o gás flua para fora do interruptor de ar.

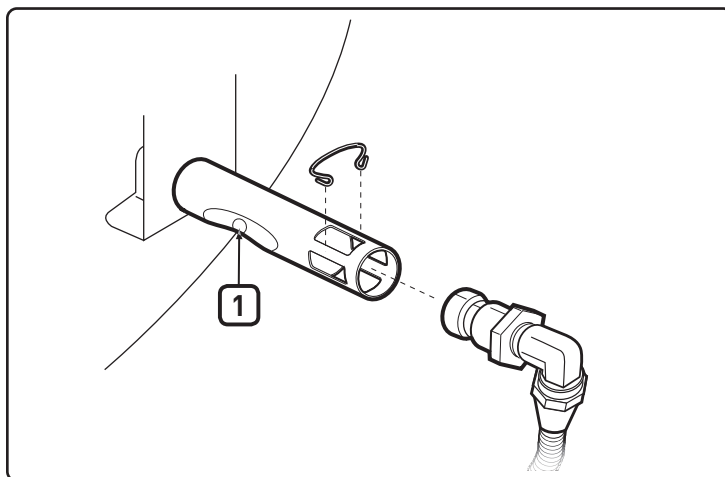
Este facto pode provocar um incêndio em torno do tubo do queimador por baixo do painel da taça. Podem ocorrer graves danos no grelhador, tornando-o pouco seguro para utilização.

Recomendamos que inspeccione e limpe o tubo do queimador pelo menos uma vez por ano ou caso se verifique algum dos sintomas.

- A) Cheiro a gás em conjunto com chamas do queimador lentas e de cor muito amarela.
- B) O queimador faz estalidos.

⚠ PERIGO

A não correcção destes sintomas pode ter como resultado um incêndio, com possíveis ferimentos graves ou morte ou ainda danos materiais.

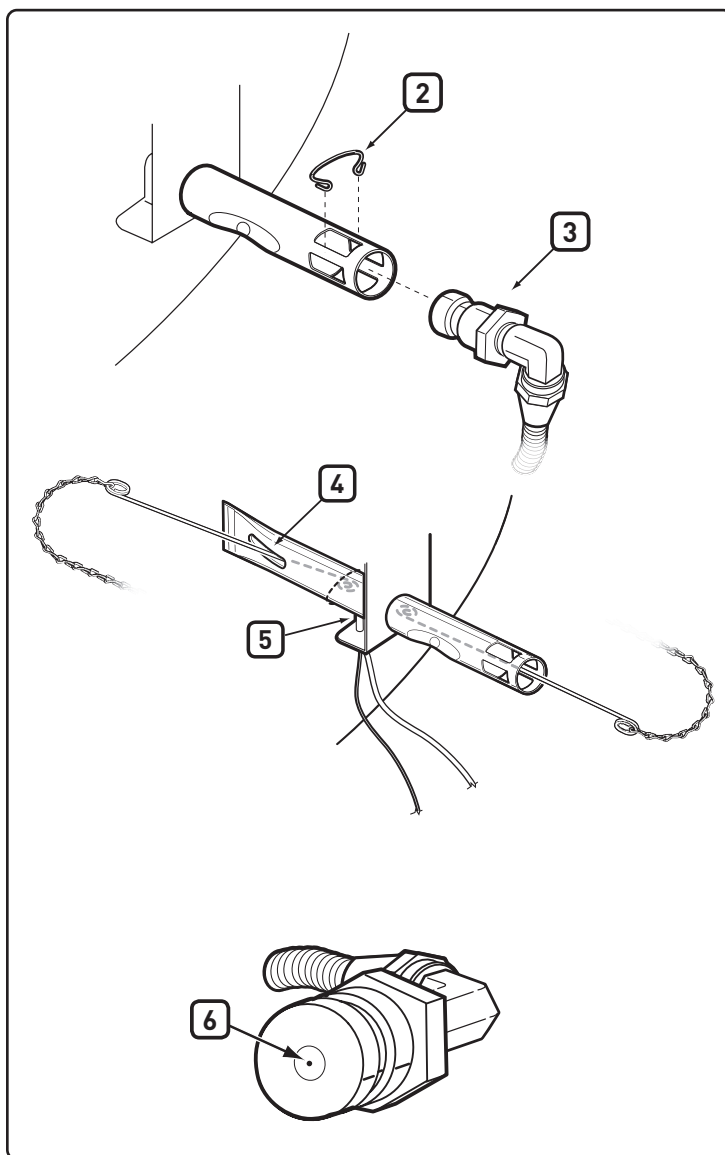


INSPECCIONAR E LIMPAR O QUEIMADOR

- A) Desligue (OFF) o gás.
- B) Retire o recipiente de armazenamento CHARBIN.
- C) Retire o grampo do orifício (2) e o acessório (3) do tubo do queimador.
- D) Observe o interior do queimador com uma lanterna.
- E) Limpe o interior do queimador com o suporte para fósforos em arame (montado atrás da placa de logótipo WEBER). Utilize o cabo para limpar a área do interruptor do ar, a secção venturi e as aberturas do queimador (4) no interior da taça. Tenha cuidado ao inserir a ferramenta de limpeza do queimador para não danificar o eléctrodo do distribuidor (5).
- F) Verifique novamente com uma lanterna se não existem obstruções.
- G) Se necessário, a superfície do acessório do tubo pode ser limpa com uma escova metálica. O orifício (6) pode ser limpo com um pequeno pino.

⚠ ATENÇÃO: Durante a limpeza, não alargue o orifício.

- H) Volte a montar invertendo os passos B e C.

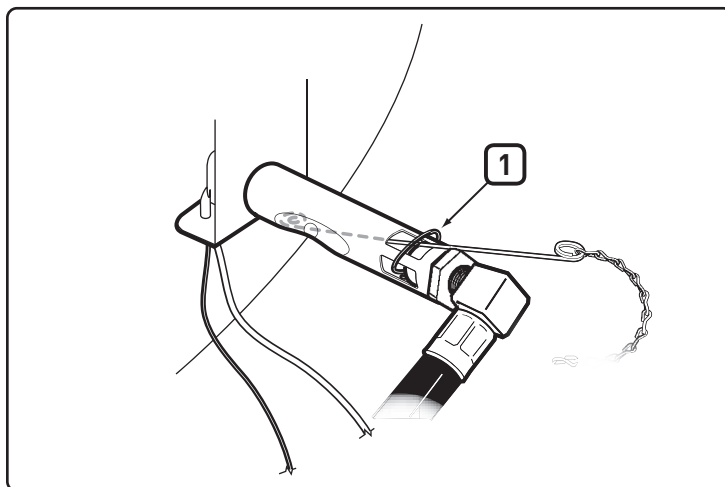


LIMPEZA RÁPIDA PERIÓDICA

Recomendamos que escove periodicamente o exterior das aberturas do queimador com uma escova metálica e limpe o tubo do queimador através da abertura do ar de combustão com o suporte para fósforos fornecido.

Este procedimento pode ser realizado posicionando a abertura do ar de combustão (1) por baixo do suporte da taça e introduzindo a ferramenta através de cada abertura do ar de combustão, rodando a ferramenta. Tenha cuidado ao inserir o suporte para fósforos para não danificar o eléctrodo do acendedor.

⚠ ATENÇÃO: É importante aumentar a frequência deste procedimento de limpeza durante os meses de primavera e verão.



INSPECÇÃO DA IGNIÇÃO ELECTRÓNICA

Se o sistema de ignição electrónica não conseguir acender, certifique-se de que existe fluxo de gás tentando acender os queimadores através de fósforos. Consulte "ACENDIMENTO MANUAL". Se o acendimento através de fósforos for bem sucedido, o problema reside na ignição electrónica.

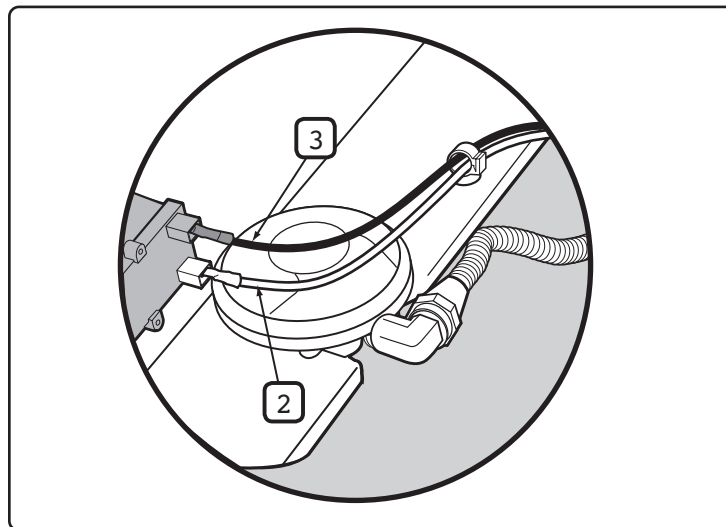
⚠ AVISO: A válvula de fornecimento e controlo de gás deve estar na posição DESLIGADA.

- Certifique-se de que a pilha AAA (apenas alcalina) está em bom estado e bem instalada (1). Algumas pilhas estão envolvidas numa película de protecção de plástico. Este plástico tem de ser retirado. Não confunda este plástico com o rótulo da pilha.
- Verifique se os fios de ignição branco (2) e preto (3) estão devidamente ligados.
- Verifique se o botão da ignição electrónica está a funcionar, ouvindo e procurando faíscas no queimador.
- Verifique se o botão de ignição está solto na estrutura. Se necessário, aperte; consultar o passo: "Instalar" para consultar o procedimento correcto.

Substitua A Pilha, Se Necessário

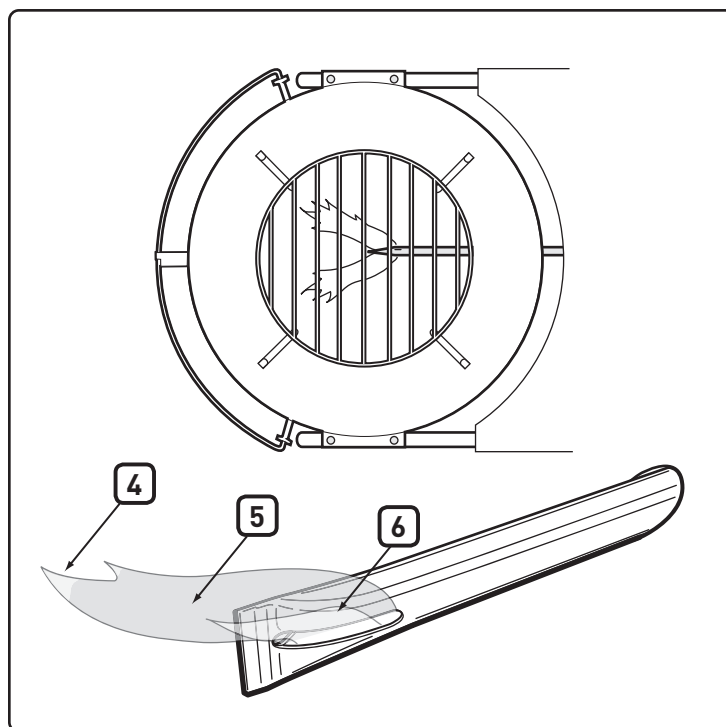
Utilize apenas pilhas alcalinas AAA.

Se o sistema de ignição electrónica continuar a não acender, contacte o representante do serviço de assistência ao cliente da sua área através das informações de contacto no nosso website. Aceda a www.weber.com.



PADRÃO DE CHAMA DO QUEIMADOR

O queimador já vem preparado de fábrica para a mistura correcta de ar e gás. O padrão de chama correcto deve ter extremidades amareladas (4), deve ser azul escuro no meio (5) e azul claro no tubo do queimador (6). Se as chamas não surgirem como indicado ou caso ocorram "estalidos", siga os procedimentos de limpeza do queimador.



⚠ ATENÇÃO: Este produto foi testado relativamente à segurança e está certificado para utilização num determinado país. Consulte a designação do país localizada no exterior da caixa.

Estas peças podem ser componentes de transporte de gás ou de queima de gás. Contacte a Weber-Stephen Products LLC Departamento de Assistência a Clientes para obter informações sobre peças sobressalentes originais Weber-Stephen Products LLC.

⚠ AVISO: Não tente efectuar quaisquer reparações em componentes de transporte ou de queima de gás sem ter contactado a Weber-Stephen Products LLC Departamento de Assistência a Clientes. No caso de não respeitar este aviso, as suas acções podem dar origem a incêndio ou explosão que pode resultar em ferimentos pessoais graves ou morte ou ainda danos materiais.



WEBER-STEPHEN PRODUCTS LLC
www.weber.com

PERFORMER DELUXE

Instrukcja obsługi grilla na węgiel drzewny

Przed użyciem grilla należy zapoznać się z instrukcją obsługi.

Montaż -  p. 6

PRZED UŻYCIEM GRILLA GAZOWEGO NALEŻY PRZECZYTAĆ NINIEJSZĄ INSTRUKCJĘ OBSŁUGI

⚠ NIEBEZPIECZEŃSTWO

Jeżeli poczujesz gaz:

1. Wyłącz doprowadzenie gazu do urządzenia.
2. Wygaś otwarty ogień.
3. Otwórz pokrywę.
4. Jeżeli nadal czuć gaz, odejdź od urządzenia i natychmiast zadzwoń do dostawcy gazu lub straży pożarnej.

Ulatniający się gaz może doprowadzić do pożaru lub wybuchu i przyczynić się do poważnych obrażeń ciała i śmierci oraz uszkodzenia własności.

⚠ OSTRZEŻENIE: Przed podjęciem próby rozpalenia grilla gazowego Weber należy przeczytać zalecenia dotyczące "Rozpalenia" opisane w niniejszej instrukcji obsługi.

⚠ OSTRZEŻENIE:

1. Nie należy przechowywać lub używać benzyny i innych palnych płynów i oparów w pobliżu tego i innych urządzeń.
2. Nie podłączona butla gazowa nie powinna być przechowywana w pobliżu tego lub innych urządzeń.

⚠ OSTRZEŻENIE: Przed użyciem grilla należy przeprowadzić procedurę kontroli pod kątem wycieków gazu zgodnie z opisem w niniejszej instrukcji. Procedurę kontroli należy przeprowadzić nawet w przypadku, gdy grill był montowany przez dealera.

INFORMACJE DLA INSTALATORA:

Instrukcję obsługi powinien przechowywać jej właściciel na wypadek korzystania z niej w przyszłości.

TYLKO DO UŻYTKU NA ZEWNĄTRZ.

PL

NIEZASTOSOWANIE SIĘ DO OZNACZEŃ NIEBEZPIECZEŃSTWO, OSTRZEŻENIE I PRZESTROGA MOŻE SPOWODOWAĆ POWAŻNE OBRAŻENIA CIAŁA LUB DOPROWADZIĆ DO ŚMIERCI, POŻARU LUB WYBUCHU I SPOWODOWAĆ STRATY MATERIALNE.

- △ SYMBOLE BEZPIECZEŃSTWA (△) sygnalizują ważne informacje dotyczące BEZPIECZEŃSTWA.
- △ Wraz z symbolami bezpieczeństwa będą używane oznaczenia NIEBEZPIECZEŃSTWO, OSTRZEŻENIE i PRZESTROGA.
- △ Oznaczenie NIEBEZPIECZEŃSTWO informuje o najpoważniejszych zagrożeniach.
- △ Przed użyciem grilla należy zapoznać się ze wszystkimi informacjami dotyczącymi bezpieczeństwa, które umieszczono w niniejszej instrukcji obsługi.

△ NIEBEZPIECZEŃSTWO

- △ Nie wolno używać tego grilla pod zadaszeniem wykonanym z materiałów łatwopalnych.
- △ Nieprawidłowy montaż może być przyczyną wystąpienia zagrożeń. Należy przestrzegać instrukcji montażu przedstawionych w niniejszej instrukcji obsługi. Nie wolno używać grilla, jeśli brakuje jakiegokolwiek części. Przed rozpaleniem grilla należy upewnić się, czy popielnik jest prawidłowo zamocowany do nóg znajdujących się pod misą grilla lub czy popielnik o dużej pojemności znajduje się we właściwym miejscu.
- △ Materiały łatwopalne nie powinny znajdować się w odległości mniejszej niż 60 cm od górnej, dolnej, tylnej i bocznej strony grilla.
- △ Nigdy nie należy nachylać się nad grillem podczas zapalania palnika gazowego.
- △ Nie wolno używać grilla przy silnym wietrze.
- △ Nie wolno używać grilla w przypadku wycieku gazu.
- △ Nie wolno używać otwartego ognia do sprawdzania wycieków gazu.
- △ Jeśli palnik zgaśnie podczas używania grilla, należy natychmiast zakręcić zawór zbiornika z gazem. Przed próbą ponownego zapalenia zgodnie z instrukcją zapalania umieszczoną w niniejszej instrukcji obsługi należy zdjąć wieko i odczekać pięć minut.
- △ Podczas używania grilla nie wolno odtaczać reduktora gazu od zbiornika z gazem lub jakichkolwiek łączników gazu.
- △ Można używać wyłącznie reduktora gazu płynnego dostarczonego w zestawie z grillem.

△ OSTRZEŻENIE

- △ Należy przestrzegać odpowiednich instrukcji podłączenia reduktora dla danego typu grilla gazowego.
- △ Nie wolno przechowywać zapasowych lub niepodłączonych kartuszy z gazem pod grillem lub w jego pobliżu.
- △ Grill należy zawsze ustawiać na bezpiecznej, równej powierzchni, z dala od materiałów łatwopalnych.
- △ Nie umieszczać pokrywy grilla ani żadnych materiałów łatwopalnych na grillu lub na dolnej półce pod grillem.
- △ Przed zapaleniem palnika gazowego (ręcznie lub za pomocą zapalarki) należy zawsze zdjąć wieko. Nie wolno zakładać wieka, jeśli węgiel nie został całkowicie rozpalony.
- △ Należy używać odpowiednich akcesoriów do grillowania z długimi, żaroodpornymi uchwytami.
- △ Niektóre modele mogą być wyposażone w uchwyt na wieko TUCK-AWAY . Uchwyt na wieko TUCK-AWAY jest używany do przechowywania wieka podczas sprawdzania lub obracania grillowanych produktów. Nie wolno używać uchwytu na wieko TUCK-AWAY jako uchwytu podczas podnoszenia lub przenoszenia grilla. Nie umieszczać gorącego wieka na wykładzinach ani na trawie. Nie zawieszać wieka na uchwycie misy.
- △ Zachować ostrożność podczas przechowywania i postępowania się gorącymi zapalarkami elektrycznymi.
- △ Trzymać przewody elektryczne i kable zasilające z dala od gorących powierzchni grilla i mocno uczęszczanych obszarów.
- △ Po okresie przechowywania i/lub gdy grill nie był używany przez dłuższy czas należy przed jego użyciem sprawdzić szczelność i drożność palników gazowych. Informacje na temat prawidłowych procedur podano w instrukcji obsługi.
- △ Próby użycia gazu ziemnego lub modyfikacje prowadzące do użycia gazu ziemnego w tym grillu są niebezpieczne i powodują utratę gwarancji.
- △ Wgnieciony lub zardzewiały kartusz gazu może być niebezpieczny i należy go przekazać dostawcy gazu płynnego w celu sprawdzenia. Nie wolno używać kartusza gazu z uszkodzonym zaworem.
- △ Chociaż kartusz gazu może wydawać się pusty, wewnątrz nadal może znajdować się gaz. Kartusz gazu należy odpowiednio przenosić i przechowywać.
- △ Podczas gotowania, regulowania otworów wentylacyjnych (przepustnic), dodawania węgla oraz dotykania termometru i pokrywy noś rękawice chroniące przed wysoką temperaturą (zgodne z normą EN 407, zapewniające ochronę przed ciepłem kontaktowym na poziomie 2 lub wyższym).
- △ W przypadku zauważenia, wycucia lub usłyszenia wyciekającego gazu z kartusza:
 1. Natychmiast odsunąć się od kartusza gazu.
 2. Nie podejmować prób samodzielnego rozwiązania problemu.
 3. Wezwać straż pożarną.

△ PRZESTROGA

- △ Wyłożenie misy grilla folią aluminiową spowoduje zablokowanie przepływu powietrza. Podczas grillowania metodą pośrednią należy użyć miski ociekowej zbierającej kapiący z mięsa tłuszcz.
- △ Użycie ostrych przedmiotów do czyszczenia rusztu do gotowania lub usuwania popiołu spowoduje uszkodzenie powierzchni grilla.
- △ Użycie ściernych środków czyszczących do czyszczenia rusztu do gotowania lub samego grilla spowoduje uszkodzenie powierzchni grilla.
- △ Grill należy dokładnie i regularnie czyścić.

Dziękujemy za zakup produktu WEBER. Firma 1415 S. Roselle Road, Palatine, Illinois 60067 USA („WEBER”) jest zaszczyczona, że może dostarczyć bezpieczny, trwały i niezawodny produkt.

Niniejszym zapewniamy dobrowolną gwarancję WEBER bez żadnej dodatkowej opłaty. Zawiera ona informacje, które mogą być potrzebne do naprawy produktu WEBER w mało prawdopodobnym przypadku awarii lub wady.

Zgodnie z obowiązującym przepisami, w przypadku wadliwego produktu klient ma szereg praw. Prawa te obejmują świadczenia zastępcze lub wymianę, obniżenie ceny zakupu i kompensację. Na przykład w Unii Europejskiej będzie to dwuletnia rękojmia liczona od daty wydania towaru. Postanowienia niniejszej gwarancji nie naruszają tych ani innych praw ustawowych. W rzeczywistości niniejsza gwarancja zapewnia Właścicielowi dodatkowe prawa, niezależne od postanowień rękojmi.

DOBROWOLNA GWARANCJA WEBER

Firma WEBER gwarantuje nabywcy produktu WEBER (lub w przypadku darowizny lub promocji osobie, dla której został zakupiony upominek lub artykuł promocyjny), że produkt WEBER jest wolny od wad materiałowych i produkcyjnych przez okres podany poniżej pod warunkiem, że będzie zmontowany i używany zgodnie z dołączoną instrukcją obsługi. (Uwaga: w przypadku utraty lub zagubienia instrukcji obsługi WEBER egzemplarz zastępczy można pobrać ze strony internetowej www.weber.com lub z krajowej strony internetowej, na którą Właściciel może zostać przekierowany.) W przypadku normalnego użytkowania produktu do celów prywatnych w domu lub apartamencie jednorodzinnym firma WEBER w ramach niniejszej gwarancji wyraża zgodę na naprawę lub wymianę części uszkodzonych w ustalonym czasie, przy uwzględnieniu ograniczeń i wyłączeń wyszczególnionych poniżej. W ZAKRESIE DOPUSZCZALNYM PRZEZ OBOWIĄZUJĄCE PRZEPISY PRAWA GWARANCJA TA PRZYSŁUGUJE TYLKO PIERWSZEMU NABYWCY I NIE MOŻNA JEJ PRZENOSIĆ NA NASTĘPNYCH WŁAŚCICIELI Z WYJĄTKIEM WSPOMNIANYCH POWYŻEJ PRZYPADKÓW DAROWIZNY LUB PROMOCJI.

ZAKRES ODPOWIEDZIALNOŚCI WŁAŚCICIELA W RAMACH NINIEJSZEJ GWARANCJI

W celu zapewnienia bezproblemowego objęcia produktu gwarancją ważne jest (ale nieobowiązkowe), aby zarejestrować produkt WEBER przez Internet na stronie www.weber.com lub na krajowej stronie internetowej, na którą Właściciel może zostać przekierowany). Należy również zachować oryginalny paragon lub fakturę zakupu urządzenia. Rejestracja produktu WEBER jest potwierdzeniem gwarancji i umożliwia bezpośredni kontakt firmy WEBER z nabywcą, jeśli wystąpi taka potrzeba.

Powyższa gwarancja obowiązuje tylko wtedy, gdy Właściciel odpowiednio dba o produkt WEBER, postępując zgodnie ze wszystkimi instrukcjami montażu, użytkowania i konserwacji zapobiegawczej wyszczególnionymi w dołączonej instrukcji obsługi, chyba że Właściciel może udowodnić, iż wada lub usterka jest niezależna od wywiązywania się z wyżej wymienionych obowiązków. Jeśli użytkownik mieszka na wybrzeżu lub produkt jest umiejscowiony przy basenie, konserwacja obejmuje regularne mycie i sptukiwanie powierzchni zewnętrznych zgodnie z instrukcjami zawartymi w dołączonej instrukcji obsługi.

PROCEDURA GWARANCYJNA / WYŁĄCZENIE Z GWARANCJI

Jeśli Właściciel jest przekonany, że dana część jest objęta niniejszą gwarancją, powinien skontaktować się z Centrum Serwisowym WEBER, korzystając z danych kontaktowych zamieszczonych na naszej stronie internetowej (www.weber.com lub krajowej stronie internetowej, na którą Właściciel może zostać przekierowany). Firma WEBER, po wyjaśnieniu, naprawi lub wymieni (według uznania) wadliwą część objętą niniejszą gwarancją. Jeśli naprawa lub wymiana jest niemożliwa, firma WEBER może (według uznania) wymienić reklamowany grill na nowy o takiej samej lub wyższej wartości. Firma WEBER może wystąpić o zwrot części w celu inspekcji, przy wcześniej opłaconych kosztach wysyłki.

Niniejsza GWARANCJA traci ważność w przypadku uszkodzeń, pogorszenia stanu technicznego, odbarwień lub korozji, za które firma WEBER nie ponosi odpowiedzialności, spowodowanych przez:

- Niewłaściwe użytkowanie, przebudowę, modyfikację, nieprawidłowe stosowanie, wandalizm, zaniedbanie, nieprawidłowe zmontowanie lub nieprawidłową instalację oraz nieprzestrzeżenie normalnej i rutynowej konserwacji;
- Owady (np. pająki) i gryzonie (np. wiewiórki), w tym, ale nie wyłącznie, uszkodzenia rur palników lub węży gazowych;
- Działanie stłonego powietrza lub źródeł chloru np. basenów pływackich lub jacuzzi/uzdrowisk;
- Zjawiska atmosferyczne takie jak grad, huragany, trzęsienia ziemi, tsunami, tornada lub gwałtowne burze.

Stosowanie lub zamontowanie w produkcie WEBER części, które nie są oryginalnymi częściami WEBER powoduje unieważnienie niniejszej gwarancji. Wszelkie uszkodzenia wynikające z tego powodu nie są objęte niniejszą gwarancją. Wszelkie przeróbki grilla gazowego, które nie są zatwierdzone przez firmę WEBER i nie są wykonane przez autoryzowanego serwisanta firmy WEBER powodują unieważnienie niniejszej gwarancji.

OKRESY GWARANCJI PRODUKTU

Kociot, pokrywa i pierścień środkowy:
10 lat na perforację w wyniku korozji/przepalenia

System czyszczenia ONE-TOUCH:
5 lat na perforację w wyniku korozji/przepalenia

Elementy z tworzywa sztucznego:
5 lat z wyjątkiem ptowienia lub odbarwienia

Wszystkie pozostałe części:
2 lata

WYŁĄCZENIA OD ODPOWIEDZIALNOŚCI

OPRÓCZ GWARANCJI I WYŁĄCZEŃ OD ODPOWIEDZIALNOŚCI OKREŚLONYCH W NINIEJSZYCH WARUNKACH GWARANCJI, NIE ISTNIEJĄ ŻADNE INNE GWARANCJE ANI DOBROWOLNE DEKLARACJE ODPOWIEDZIALNOŚCI, KTÓRE ROZSZERZAJĄ USTAWOWĄ ODPOWIEDZIALNOŚĆ, JAKĄ PONOSI FIRMA WEBER. NINIEJSZE WARUNKI GWARANCJI RÓWNIEŻ NIE OGRANICZAJĄ ANI NIE WYŁĄCZAJĄ SYTUACJI LUB REKLAMACJI, W PRZYPADKU KTÓRYCH FIRMA WEBER OBOWIĄZKOWO PONOSI ODPOWIEDZIALNOŚĆ OKREŚLONĄ USTAWOWO.

PO UPŁYWIE OKRESU NINIEJSZEJ GWARANCJI NIE UDZIELA SIĘ ŻADNYCH GWARANCJI. ŻADNE INNE GWARANCJE UDZIELONE PRZEZ DOWOLNĄ OSOBĘ, W TYM DEALERA LUB SPRZEDAWCĘ, NA DOWOLNY PRODUKT (NP. WSZELKIE „ROZSZERZENIA GWARANCJI”) NIE SĄ WIĄŻĄCE DLA FIRMY WEBER. JEDYNYM ZADOSĆUCZYNIENIEM STOSOWANYM W RAMACH NINIEJSZEJ GWARANCJI JEST NAPRAWA LUB WYMIANA CZĘŚCI LUB PRODUKTU.

W ŻADNYM WYPADKU W RAMACH NINIEJSZEJ DOBROWOLNEJ GWARANCJI ŻADNE ODSZKODOWANIE NIE MOŻE BYĆ WYŻSZE OD CENY SPRZEDANEGO PRODUKTU WEBER.

UŻYTKOWNIK PRZYJMUJE NA SIEBIE RYZYKO I ODPOWIEDZIALNOŚĆ ZA STRATY, SZKODY LUB OBRAŻENIA CIAŁA, WŁASNE ORAZ INNYCH OSÓB WYNIKAJĄCE Z NIEWŁAŚCIWEGO UŻYTKOWANIA PRODUKTU LUB NIEPRZESTRZEGANIA INSTRUKCJI FIRMY WEBER ZAWARTYCH W DOŁĄCZONEJ INSTRUKCJI OBSŁUGI.

CZĘŚCI I AKCESORIA WYMIENIONE W RAMACH NINIEJSZEJ GWARANCJI SĄ OBJĘTE GWARANCJĄ, KTÓREJ OKRES NIE PRZEKRACZA OKRESU GWARANCJI PIERWOTNEJ.

NINIEJSZA GWARANCJA OBEJMUJE WYŁĄCZNIE PRYWATNE UŻYTKOWANIE W DOMU LUB APARTAMENCIE JEDNORODZINNYM I NIE OBEJMUJE GRILLÓW WEBER UŻYTKOWANYCH W JEDNOSTKACH HANDLOWYCH I KOMUNALNYCH TAKICH JAK RESTAURACJE, HOTELE, OSRODKI WYPOCZYNKOWE LUB NIERUCHOMOŚCI POD WYNAJEM.

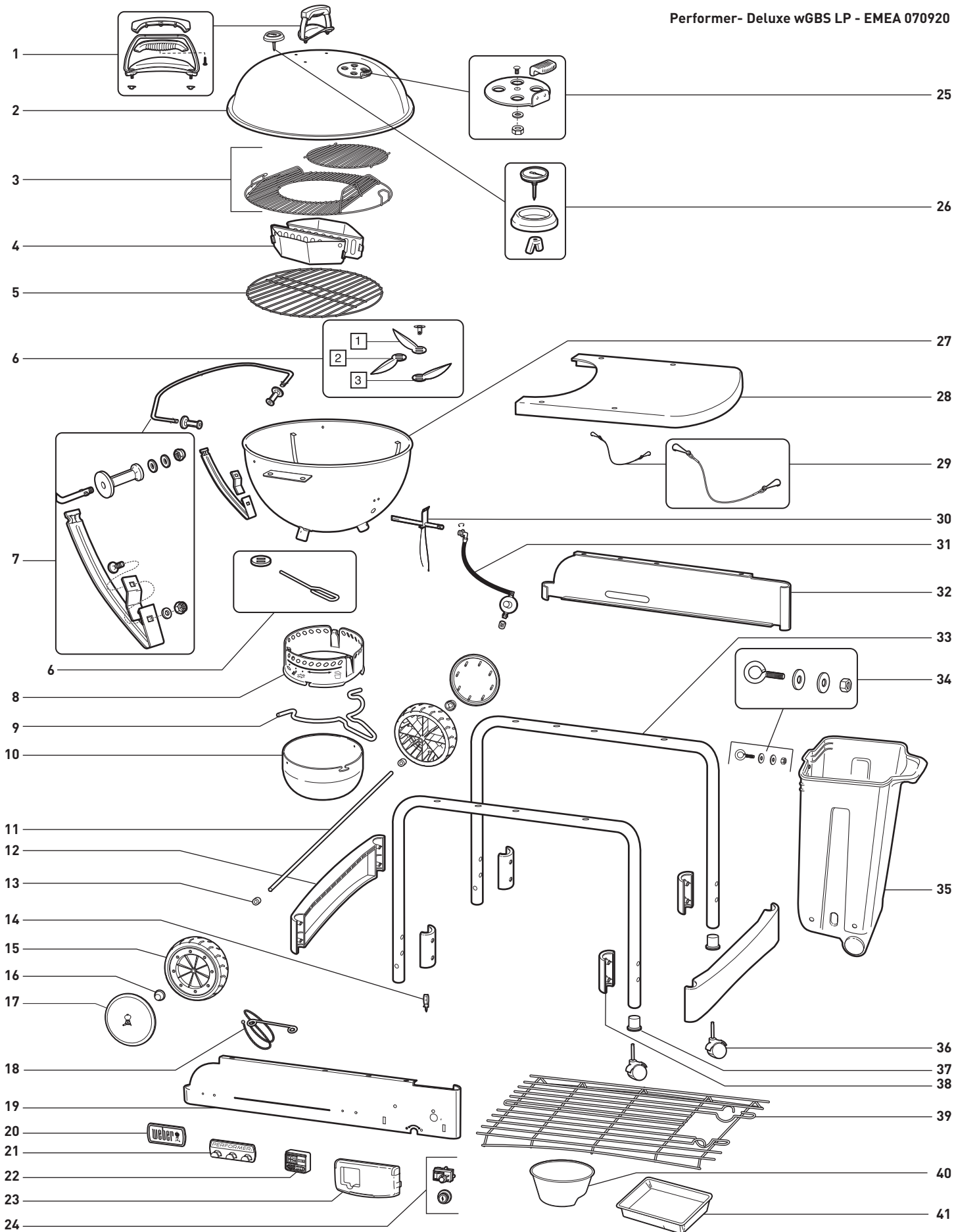
WEBER MOŻE ZMIENIAĆ WZORNICTWO SWOICH PRODUKTÓW. ŻADNA TREŚĆ ZAWARTA W NINIEJSZEJ GWARANCJI NIE MOŻE BYĆ ROZUMIANA JAKO ZOBOWIĄZANIE FIRMY WEBER DO WPROWADZENIA TYCH ZMIAN WZORNICTWA DO PRODUKTÓW WYTWORZONYCH WCZEŚNIEJ ANI JAKO PRZYZNANIE, ŻE POPRZEDNIE WZORNICTWO BYŁO WADLIWE.

WYMIANA WĘŻA, REDUKTORA I ZAWORU

⚠ WAŻNA UWAGA: Zalecamy wymianę zespołu węża gazowego w grillu Webera co 5 lat. W niektórych krajach mogą obowiązywać przepisy nakazujące wymianę węża gazowego częściej niż co 5 lat. W takim przypadku te przepisy mają pierwszeństwo.

⚠ W celu wymiany zespołu węża gazowego z reduktorem i zaworem prosimy skontaktować się z regionalnym przedstawicielem ds. obsługi klienta za pośrednictwem naszej strony internetowej. Prosimy zalogować się na www.weber.com.

KRAJ		TYP GAZU I CIŚNIENIE
Dania, Szwecja, Norwegia, Finlandia, Anglia, Holandia, Wielka Brytania, Francja, Hiszpania, Portugalia, Belgia, Irlandia, Grecja, Luksemburg, Włochy, Niemcy, Austria		I _{38/P} - 29mbar
DANE DOTYCZĄCE POBORU MOCY		
Zapalanie palnika. Maks		
Propan/ butan	kW	g/h
	2,6	192



- | | | |
|---------------------------------------------------------|------------------------------|--------------------------------------------|
| 1. Zespół uchwytu wieka | 15. Kółko | 29. Linka pojemnika CHARBIN |
| 2. Wieko | 16. Kapsel piasty | 30. Zespół palnika |
| 3. Ruszt do gotowania GBS | 17. Kołpak kółka | 31. Przewód i reduktor z kryzą i zaciskiem |
| 4. CHAR-BASKETS | 18. Uchwyt do zapalek | 32. Panel tylny |
| 5. Ruszt węgla drzewnego | 19. Panel przedni | 33. Konstrukcja nóg |
| 6. System czyszczący ONE-TOUCH | 20. Płytko logo | 34. Elementy pojemnika CHARBIN |
| 7. Zespół dolnego mocowania i uchwyt na wieko TUCK-AWAY | 21. Uchwyt na akcesoria | 35. CHARBIN |
| 8. Pierścień popielnika | 22. Cyfrowy zegar gotowania | 36. Kółko samonastawne z hamulcem |
| 9. Uchwyt popielnika | 23. Osłona sterowania gazem | 37. Wkładka kółka samonastawnego |
| 10. Popielnik o dużej pojemności | 24. Przycisk/moduł zapalarki | 38. Zacisk mocowania konstrukcji nóg |
| 11. Oś | 25. Zespół nawilżacza wieka | 39. Półka dolna |
| 12. Mocowanie konstrukcji nóg | 26. Zespół termometru | 40. Kubek na węgiel drzewny |
| 13. Element dystansowy kółka | 27. Misa | 41. Jednorazowa miska ociekowa |
| 14. Podpórka przewodu zapalarki | 28. Stół | |

W przypadku pytań lub konieczności uzyskania porady dotyczących grilla lub jego bezpiecznego użytkowania należy odwiedzić stronę www.weber.com.

- Niniejsza instrukcja zawiera minimalne wymagania dotyczące montażu grilla WEBER. Przed użyciem grilla WEBER należy dokładnie zapoznać się z instrukcją. Nieprawidłowy montaż może być przyczyną wystąpienia zagrożeń.
- Urządzenie nie jest przeznaczone do użytku przez dzieci.
- Ten grill gazowy WEBER zaprojektowano w taki sposób, aby był zasilany wyłącznie propanem lub mieszkanką propanu/butanu. Nie wolno stosować gazu ziemnego. Zawór i reduktor są przeznaczone wyłącznie do propanu lub mieszkanki propanu/butanu.
- Ten grill gazowy WEBER nie jest przeznaczony do celów komercyjnych.
- Używanie alkoholu i/lub leków na receptę lub bez recepty może upośledzać zdolności konsumenta do prawidłowego montażu i bezpiecznej obsługi urządzenia.
- Ten grill gazowy WEBER nie jest przeznaczony do ogrzewania i nie należy traktować go jako grzejnik.

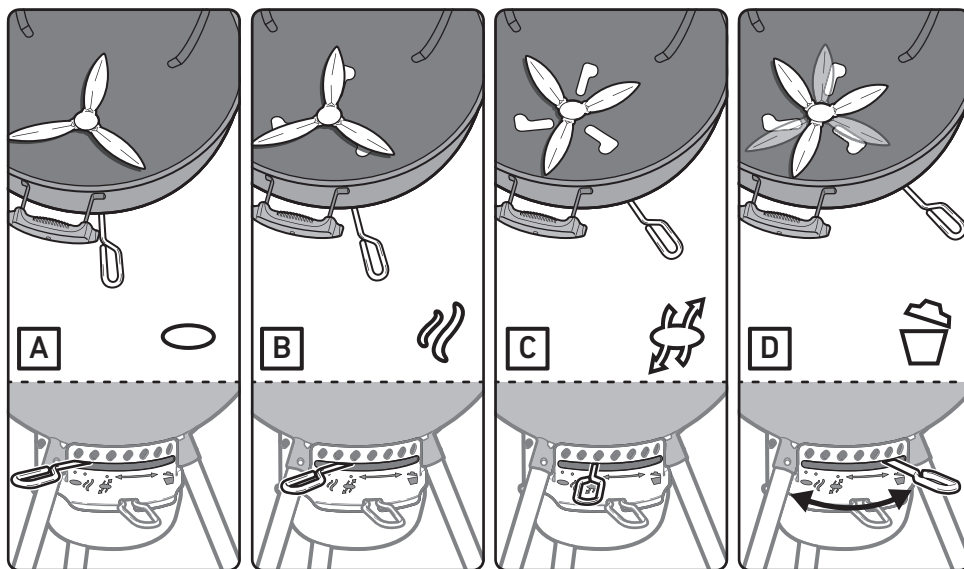
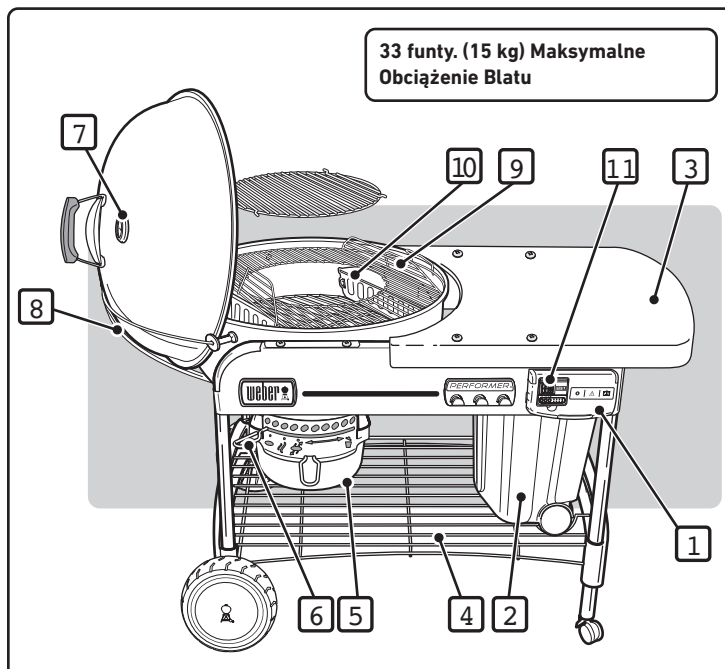
- Nie wolno zostawiać grilla WEBER bez nadzoru. Dzieci i zwierzęta należy trzymać z dala od grilla WEBER przez cały czas.
- Użytkownik nie może modyfikować żadnych części szczelnie zamkniętych przez producenta.
- Modyfikacje wprowadzone w urządzeniu mogą być przyczyną wystąpienia zagrożeń.
- Kartusz należy odłączyć w następujących przypadkach: 1) jest pusty; 2) grill jest przechowywany w garażu lub innym zamkniętym pomieszczeniu; 3) grill jest przenoszony.

⚠ Nie wolno przenosić grilla podczas używania. Przed przeniesieniem należy odczekać do jego schłodzenia.

⚠ To urządzenie nie jest przeznaczone do ogrzewania i nie należy traktować go jako grzejnik.

CECHY

- Wyjątkowy system zapalania gazu TOUCH-N-GO rozwiązuje problem rozpalania brykietu węgla drzewnego (1). Wystarczy nacisnąć i przytrzymać przycisk, aby zapalić palnik gazowy i węgiel drzewny. Nie ma już potrzeby używania i przechowywania niebezpiecznych płynnych rozpalaków, a potrawy nie będą już mieć nieprzyjemnego posmaku takich rozpalaków.
- Pojemnik do przechowywania CHARBIN umożliwia przechowywanie worka węgla drzewnego o maksymalnej masie 13,7 kg (2). Worek węgla drzewnego należy umieścić bezpośrednio w pojemniku do przechowywania CHARBIN.
- Metalowa powierzchnia robocza służy jako obszar roboczy i zakrywa pojemnik do przechowywania CHARBIN, aby brykiety były suche (3).
- Wygodna półka dolna (4).
- Popielnik o dużej pojemności jest montowany na swoim miejscu w celu wyeliminowania wyrzucania popiołu (5).
- System czyszczący ONE-TOUCH umożliwia w prosty sposób usuwanie popiołu oraz otwieranie i zamykanie otworów wentylacyjnych (6).
- Termometr umożliwia monitorowanie temperatury wewnątrz grilla podczas przygotowywania potraw (7).
- Wiekło TUCK-AWAY można wsunąć w uchwyt na wiekło ze stali nierdzewnej, która pełni również funkcję wiatrochronu podczas rozpalania brykietu (8).
- Ruszt do gotowania GOURMET BBQ SYSTEM (GBS) (9), wyposażono w klapy na zawiasach, które można otworzyć na ruszcie do gotowania, aby w prosty sposób dołożyć brykiety lub wióry podczas przygotowywania potraw. Zawiera tacę do codziennego użytkowania. Pasuje do wszystkich innych akcesoriów serii GOURMET BBQ SYSTEM.
- Uchwyty paliwa węglowego CHAR-BASKET umożliwiają wygodną elastyczność podczas gotowania metodą pośrednią i bezpośrednią za pomocą drewna i węgla drzewnego (10).
- Cyfrowy zegar gotowania (11).



PL A - Otwory wentylacyjne zamknięte B - Niski i wolny C - Otwory wentylacyjne otwarte D - Usunięcie popiołu

⚠ **OSTRZEŻENIE:** W przypadku korzystania z podpałek w płynie przed rozpaleniem grilla zawsze sprawdź popielnik. W popielniku może zgromadzić się płyn, którego zapłon spowoduje wystąpienie ognia pod misą grilla. Przed rozpaleniem węgla należy usunąć z popielnika wszelkie pozostałości podpałki w płynie.

PODŁĄCZANIE WYMIENNEGO ZASOBNIKA Z CIEKŁYM PROPANEM

Należy używać wymiennych zasobników z ciekłym propanem o minimalnej pojemności 430 g i maksymalnej pojemności 460 g. Zasobnik musi być wyposażony w zawór EN417 przedstawiony na rysunku. Jednym z typów zasobników, które można używać jest Primus model 2202 lub WEBER Q Gas.

⚠ PRZESTROGA: Używać butli oznaczonych tylko jako propan lub propan-butan.

Należy umieścić wymienny zasobnik w regulatorze i obrócić w prawo do momentu zablokowania.

⚠ OSTRZEŻENIE: Dokręcać ręcznie. Nadmierna siła może doprowadzić do uszkodzenia złączki regulatora, wycieku i nieprawidłowego przepływu gazu.

KONTROLA POD KĄTEM WYCIEKÓW GAZU:**⚠ NIEBEZPIECZEŃSTWO**

Do sprawdzenia pod kątem wycieków gazu, nie należy używać otwartych źródeł ognia. Należy upewnić się, że podczas sprawdzania pod kątem wycieków w pobliżu nie znajdują się iskry i otwarte źródła ognia. Iskry lub otwarty ogień mogą być przyczyną pożaru lub wybuchu i doprowadzić do poważnych obrażeń ciała, śmierci i uszkodzenia mienia.

Niezbędne będą: wymienny zasobnik z ciekłym propanem, roztwór wody z mydłem i szmata lub szczotka do nakładania.

- A) Zmieszać mydło z wodą.
- B) Ustawić regulator gazu w pozycji włączonej obracając go w lewo.
- C) Sprawdzić pod kątem wycieków przez zwilżenie łącznika za pomocą mydła i wody i obserwować pod kątem pojawiania się pęcherzyków. Formowanie lub wzrost pęcherzyków oznacza obecność wycieku.

SPRAWDZIĆ:

- A) Połączenie regulatora do wymiennego zasobnika z ciekłym propanem.

⚠ OSTRZEŻENIE: W przypadku pojawienia się wycieku przy połączeniu (1), należy wyjąć wymienny zasobnik z ciekłym propanem. Nie należy używać grilla. Należy użyć innego wymiennego zasobnika z ciekłym propanem i ponownie sprawdzić pod kątem wycieków za pomocą roztworu wody i mydła. Jeżeli wyciek utrzymuje się po ponownym dokręceniu zasobnika z ciekłym propanem, należy odłączyć doprowadzenie gazu. NIE UŻYWAĆ GRILLA. Skontaktować się z przedstawicielem działu obsługi klienta w swoim miejscu zamieszkania korzystając z danych kontaktowych na naszej stronie internetowej. Zarejestruj się na stronie www.weber.com.

SPRAWDZIĆ:

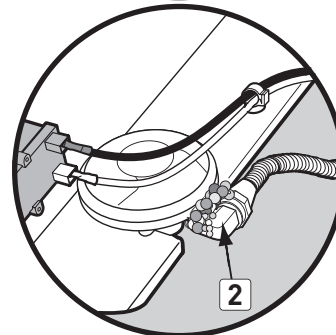
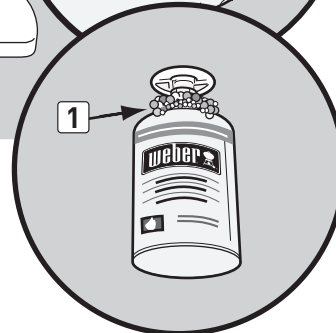
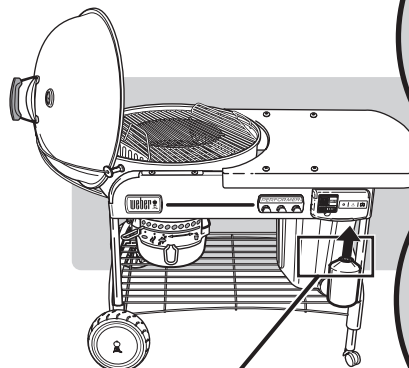
- B) Połączenie zaworu do regulatora.

⚠ OSTRZEŻENIE: W razie wystąpienia wycieku przy połączeniu (2), odłączyć doprowadzenie gazu. NIE UŻYWAĆ GRILLA. Skontaktować się z przedstawicielem działu obsługi klienta w swoim miejscu zamieszkania korzystając z danych kontaktowych na naszej stronie internetowej. Zarejestruj się na stronie www.weber.com.

Po zakończeniu kontroli wycieku, ODŁĄCZYĆ doprowadzenie gazu i przepłukać połączenia za pomocą wody.

⚠ NIEBEZPIECZEŃSTWO

Nie należy przechowywać zapasowego wymiennego zasobnika z ciekłym propanem pod lub w pobliżu grilla.



ZAPALANIE

⚠ NIEBEZPIECZEŃSTWO

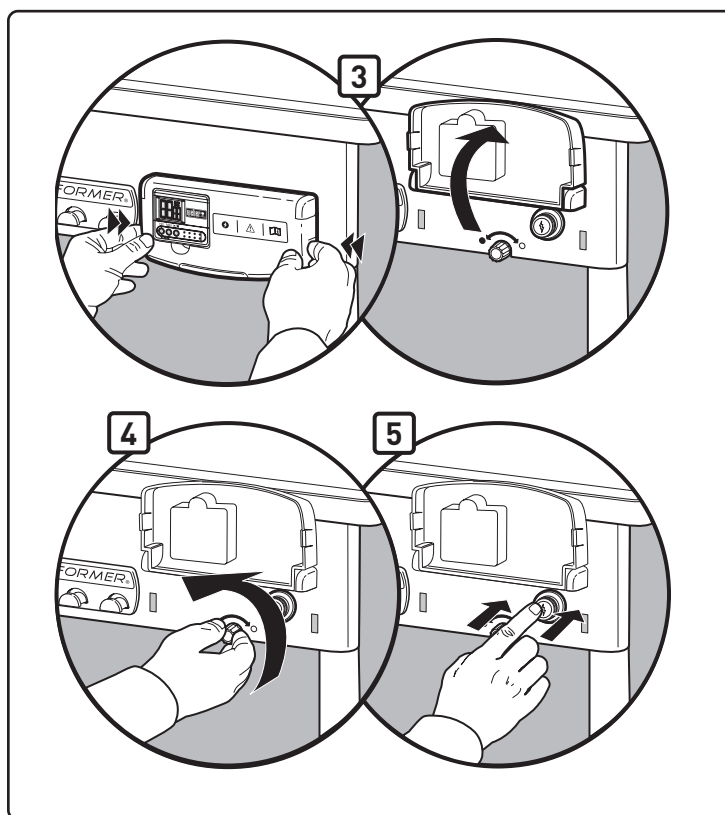
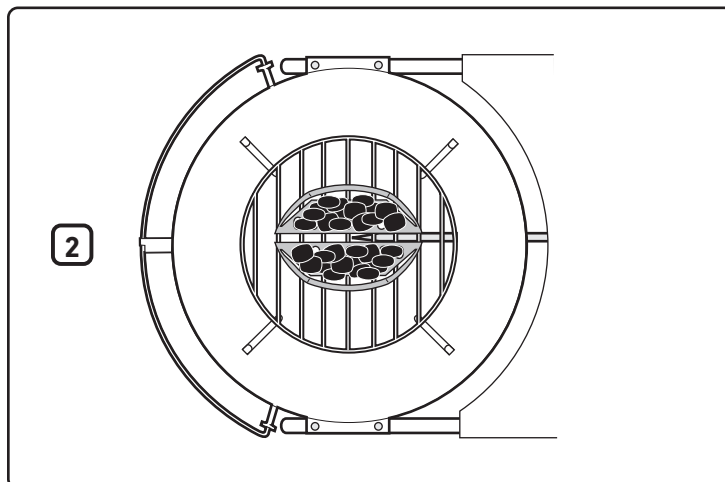
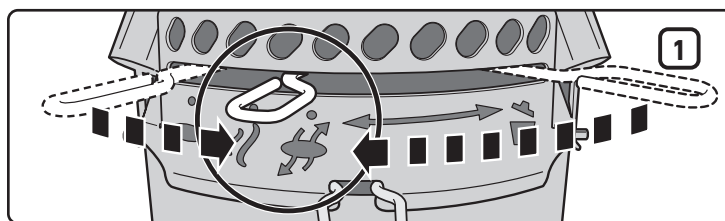
Przed rozpaleniem otworzyć pokrywę. Nie należy używać łatwopalnych płynów takich jak rozpałka, benzyna, alkohol i żadnej formy samorozpalającego się węgla, nawet do rozpalania ręcznego. Nieprzestrzeganie tego zalecenia może doprowadzić do poważnych obrażeń ciała i śmierci.

- A) Zdjąć pokrywę grilla przed użyciem funkcji rozpalania gazem.
- ⚠ NIEBEZPIECZEŃSTWO: Nieprzestrzeganie zalecenia może doprowadzić do nagromadzenia się gazu i przyczynić się do pożaru lub wybuchu, które mogą doprowadzić do poważnych obrażeń ciała, śmierci lub uszkodzenia mienia.**
- B) Otworzyć dolne zwilżacze kotta (1).
- C) Umieścić CHAR-BASKETS nad palnikiem (2).
- D) Wepchnąć wypustki na pokrywę regulacji gazu (3) i podnieść w celu otwarcia.
- E) Włączyć doprowadzenie gazu (w lewo) obracając przynajmniej o jeden pełny obrót (4).
- ⚠ OSTRZEŻENIE: Nie należy pochylać się nad otwartym grillem w czasie rozpalania.**
- F) Prima continuamente o botão de ignição até o queimador acender (5).
- ⚠ PRZESTROGA: W jasny dzień możemy nie widzieć płomienia.**
- G) Quando o carvão se acender (cerca de 5 minutos), DESLIGUE o manípulo de controlo de gás (no sentido dos ponteiros do relógio) até fechar.
- ⚠ PRZESTROGA: Zamknąć całkowicie pokrywę.**
- Uwaga - Przedłużający się czas włączania zmniejsza trwałość użytkową butli.
- H) Po pokryciu się węgla szarym popiołem można rozpocząć grillowanie (około 25-30 minut).

W CELU ZGASZENIA GRILLA

DESLIGUE o manípulo de controlo de gás (no sentido dos ponteiros do relógio) até fechar.

- ⚠ Podczas przekładania koszy CHAR-BASKET nad palnikiem noś rękawice do grilla (zgodne z normą EN 407, zapewniające ochronę przed ciepłem kontaktowym na poziomie 2 lub wyższym) i używaj szczypiec.**



RĘCZNE ROZPALANIE

⚠ **OSTRZEŻENIE:** Nie próbuj rozpalać ręcznie bez użycia uchwyty na zapałkę. .

⚠ NIEBEZPIECZEŃSTWO

Przed rozpaleniem otworzyć pokrywę. Nie należy używać łatwopalnych płynów takich jak rozpałka, benzyna, alkohol i żadnej formy samorozpalającego się węgla, nawet do rozpalania ręcznego. Nieprzestrzeganie tego zalecenia może doprowadzić do poważnych obrażeń ciała i śmierci.

A) Zdjąć pokrywę grilla przed użyciem funkcji gazu.

⚠ **NIEBEZPIECZEŃSTWO:** Nieprzestrzeganie zalecenia może doprowadzić do nagromadzenia się gazu i przyczynić się do pożaru lub wybuchu, które mogą doprowadzić do poważnych obrażeń ciała, śmierci lub uszkodzenia mienia.

B) Otworzyć dolne zwilżacze kotta (1).

C) Odsunąć CHAR-BASKETS od palnika (2).

D) Wepchnąć wypustki na pokrywę regulacji gazu (3) i podnieść w celu otwarcia.

E) Włóż zapałkę do uchwyty. Zapal zapałkę.

F) Włączyć doprowadzenie gazu (w lewo) obracając pokrętko przynajmniej o jeden pełny obrót (4).

G) Umieścić zapaloną zapałkę z tyłu otworu palnika (5).

⚠ **OSTRZEŻENIE:** Nie należy umieszczać rąk nad palnikiem podczas ręcznego rozpalania.

⚠ **OSTRZEŻENIE:** Nie należy pochylać się nad otwartym grillem w czasie rozpalania.

⚠ **PRZESTROGA:** W jasny dzień możemy nie widzieć płomienia.

H) Do umieszczenia CHAR-BASKETS z powrotem na palniku założyć rękawice i użyć szczyptic.

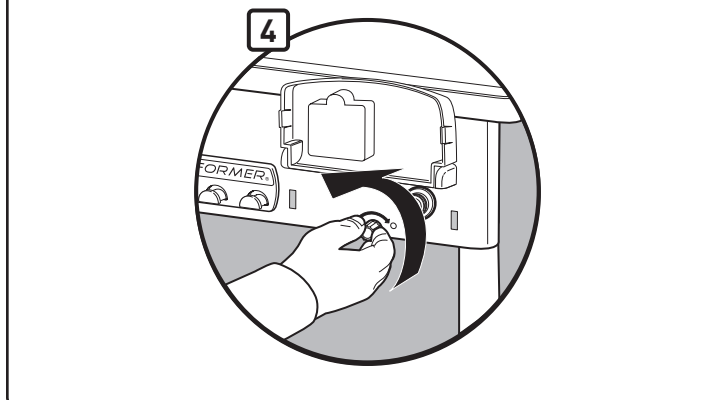
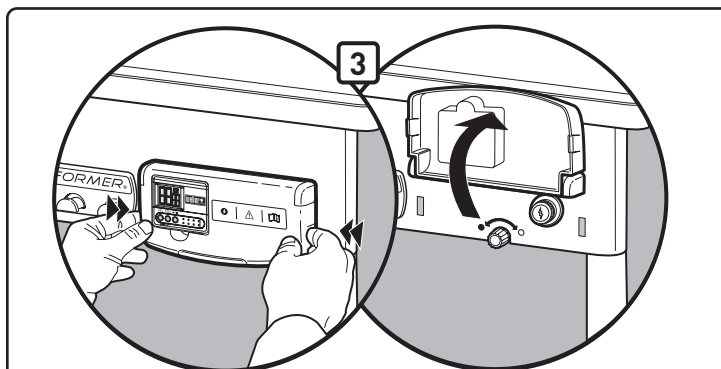
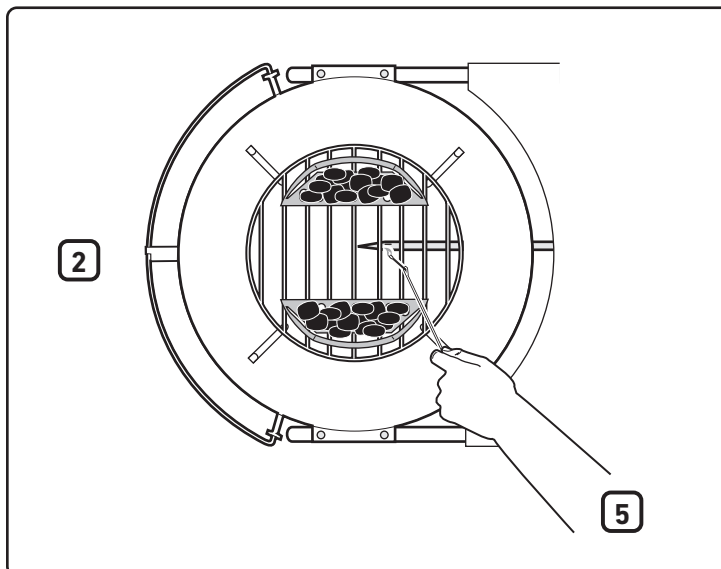
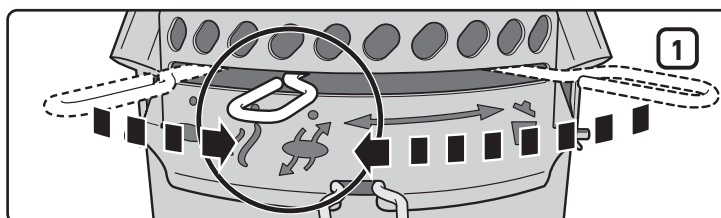
I) Po rozpaleniu węgla (około 5 minut), wyłączyć doprowadzenie gazu (w prawo).

J) Po pokryciu się węgla szarym popiołem można rozpocząć grillowanie (około 25-30 minut).

W CELU ZGASZENIA GRILLA

DESLIGUE o manípulo de controlo de gás (no sentido dos ponteiros do relógio) até fechar.

⚠ **Podczas przekładania koszy CHAR-BASKET nad palnikiem noś rękawice do grilla (zgodnie z normą EN 407, zapewniające ochronę przed ciepłem kontaktowym na poziomie 2 lub wyższym) i używaj szczyptic.**



OBSŁUGA ZEGARA

Ten wodoodporny, cyfrowy zegar do gotowania umożliwia odliczanie czasu w dół i w górę w godzinach, minutach i sekundach.

Aby ustawić czas odliczania w dół:

- Naciśnij przycisk **Start / Stop**: ► / ■ , aby włączyć podświetlenie.
- Naciśnij przycisk **HR** button (1) , aby ustawić liczbę godzin. Aby włączyć szybkie przewijanie cyfr, naciśnij i przytrzymaj przycisk (maksymalne ustawienie: 99 godzin) (4).
- Naciśnij przycisk **MIN** button (2) , aby ustawić liczbę minut. Aby włączyć szybkie przewijanie cyfr, naciśnij i przytrzymaj przycisk (maksymalne ustawienie: 59 minut) (5).
- Po ustawieniu zegara naciśnij przycisk **Start / Stop**: ► / ■ button (3) , aby rozpocząć odliczanie czasu.
- Gdy czas upływie, na 30 sekund zostanie włączony alarm dźwiękowy, a następnie zegar zostanie ponownie uruchomiony i będzie odliczać czas zgodnie z wcześniejszym ustawieniem.

WAŻNE

Gdy zegar będzie odliczał czas dłuższy niż 1 godzina, symbole H i M (godziny i minuty) będą migać. Cyfry będą zmieniać się co 1 minutę. Gdy zegar będzie odliczał czas krótszy niż 1 godzina, symbole H i M zostaną zmienione na symbole M i S (minuty i sekundy). Cyfry będą zmieniać się co 1 sekundę.

Aby usunąć ustawienie czasu:

- Naciśnij przycisk **Start / Stop**: ► / ■ , aby włączyć podświetlenie.
- Naciśnij jednocześnie przyciski **HR** i **MIN**: ↻ buttons simultaneously (1)(2).

Aby ustawić czas odliczania w górę:

- Naciśnij przycisk **Start / Stop**: ► / ■ , aby włączyć podświetlenie.
- Naciśnij przycisk **Start / Stop**: ► / ■ , aby rozpocząć odliczanie czasu w górę. Podczas odliczania czasu w górę na ekranie będzie wyświetlany czas w formacie godziny/minuty lub minuty/sekundy.
- Naciśnij przycisk **Start / Stop**: ► / ■ , aby zatrzymać zegar. Odliczanie czasu w górę zostanie przerwane po upływie 99 godzin (4), 59 minut (5).

Automatyczne wyłączenie:

- Aby oszczędzić czas pracy baterii, podświetlenie jest wyłączone po upływie 10 sekund. Zegar zostanie całkowicie wyłączony po upływie 10 minut bezczynności.

Uwaga: Jeśli zegar jest używany w środowisku narażonym na wyładowania elektrostatyczne (elektryczność statyczną), może to spowodować utratę ustawionego czasu. W takim przypadku należy zresetować zegar.

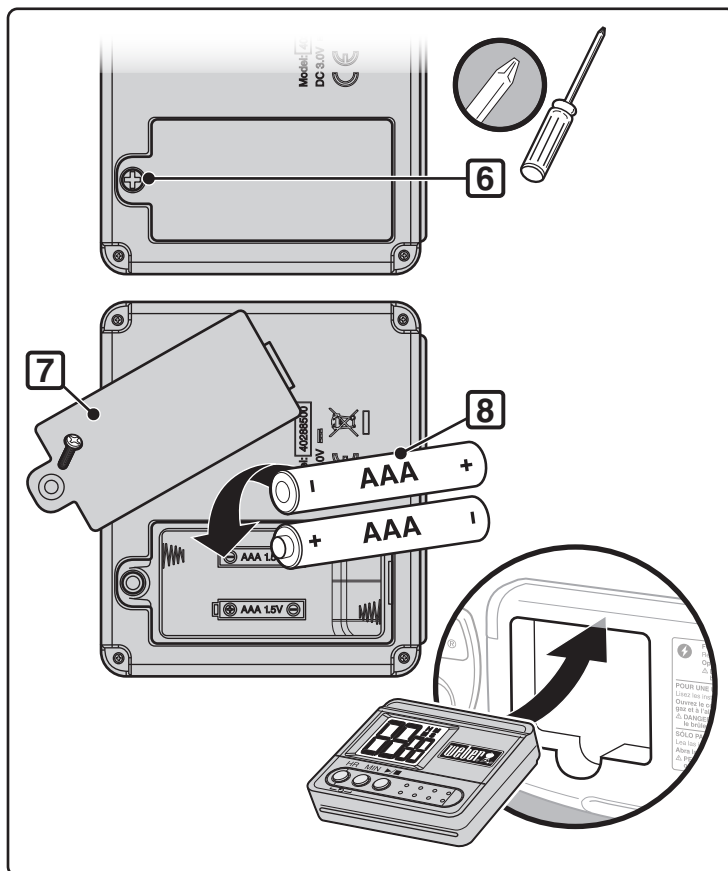
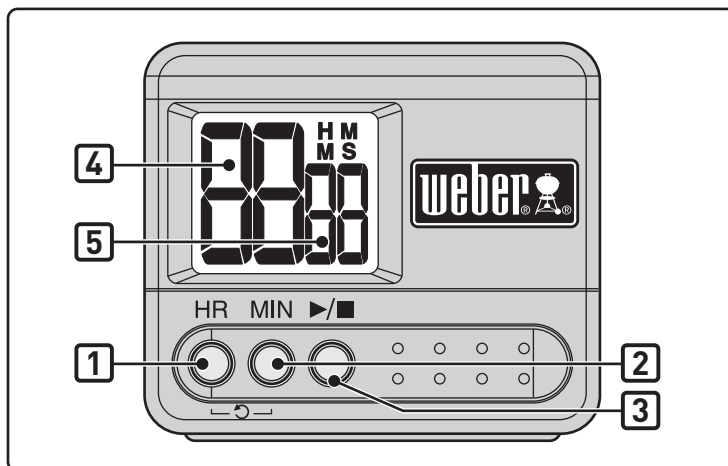
Montaż baterii:

- Aby otworzyć pojemnik baterii znajdujący się z tyłu zegara, użyj śrubokrętu krzyżakowego (6) w kierunku zgodnym do ruchu wskazówek zegara.
- Zdejmij osłonę pojemnika baterii z zegara (7).
- Umieść lub wymień baterie AAA (8).
- Założ pokrywę pojemnika baterii.
- Zablokuj pokrywę pojemnika baterii, obracając śrubę w kierunku przeciwnym do ruchu wskazówek zegara za pomocą śrubokrętu krzyżakowego.
- Po zamontowaniu baterii na ekranie zostanie wyświetlona wartość (0000).

Konserwacja:

- Nie wolno czyścić zegara za pomocą ściernych lub żrących środków czyszczących. Może to spowodować porysowanie powierzchni lub korozję obwodu elektrycznego.
- Nie należy narażać zegara na działanie nadmiernej siły, wstrząsy, kurz, zbyt wysoką temperaturę lub wilgotność. Może to spowodować nieprawidłowe działanie, krótszy czas użytkowania, uszkodzenie baterii lub zniekształcenie części.
- Nie wolno modyfikować wewnętrznych elementów zegara. Może to spowodować utratę gwarancji i niepotrzebne uszkodzenie baterii i elementów wewnętrznych.
- Nie należy narażać zegara na nadmierne, bezpośrednie działanie promieni słonecznych lub ulewny deszcz.
- Nie należy zanurzać zegara w wodzie.

Aby uzyskać najlepszą wydajność zegara, zaleca się jego przechowywanie w pomieszczeniu, gdy nie jest używany.



PROBLEM	SPRAWDZIĆ	NAPRAWA
Płomień palnika jest żółty lub pomarańczowy i czuć gaz.	Sprawdzić palnik pod kątem zablokowania.	Wyczyścić palnik. (Patrz rozdział "Konserwacja")
Palnik nie zapala się lub płomień jest niski.	Czy butla jest pusta lub jest niski poziom gazu?	Wymienić butlę gazową.
	Czy przewód jest zagięty lub zaplątał się?	Wyprostować przewód.
	Czy palnik zapala się po użyciu zapalniczki?	Jeżeli można zapalić palnik za pomocą zapalniczki, należy sprawdzić układ zapłonowy.
	Czy przewód do połączenia rury palnika jest prawidłowo zabezpieczony?	Podłączyć przewód gazu do rury palnika za pomocą dostarczonego metalowego zacisku zabezpieczającego. ⚠ NIEBEZPIECZEŃSTWO: Nie należy korzystać z funkcji rozpalania gazem, w przypadku zgubienia zacisku zabezpieczającego. Brak zacisku zabezpieczającego może przyczynić się do poważnych obrażeń ciała, śmierci i uszkodzenia mienia. Skontaktować się z działem obsługi klienta w celu wymiany zacisku zabezpieczającego.
Wzorec płomienia palnika jest nierówny.	Czy palnik jest czysty?	Wyczyścić palnik. (Patrz rozdział "Konserwacja")
O queimador não acende quando prime o botão de ignição.	Certifique-se de que existe um fluxo de gás para os queimadores tentando acender os queimadores através de fósforos. Consulte "IGNIÇÃO MANUAL."	Se o acendimento através de fósforos for bem sucedido, o problema reside no sistema de ignição. Consulte: "FUNCIONAMENTO DO SISTEMA DE IGNIÇÃO ELECTRÓNICA."
	Tem um pilha nova instalada?	Certifique-se de que a pilha está em bom estado e instalada correctamente. Consulte "INSPECÇÃO DA IGNIÇÃO ELECTRÓNICA."
	Os fios estão bem ligados ao módulo de ignição?	Certifique-se de que os fios estão bem introduzidos nos terminais na caixa de ignição. Consulte: "FUNCIONAMENTO DO SISTEMA DE IGNIÇÃO ELECTRÓNICA."
	Existe uma película de plástico a envolver a pilha nova?	Retire a película de plástico.
O temporizador não funciona.	Czy włożono nowe baterie?	Sprawdź, czy baterie są w dobrym stanie i czy umieszczono je prawidłowo. Więcej informacji: „OBSŁUGA ZEGARA”.
Wewnętrzna strona pokrywy wygląda tak jakby się "tuszczyła". (przypomina tuszzenie się farby.)	To co widzimy na pokrywie to wypalony tłuszcz, który zamienił się w węgiel i tuszczy się. TO NIE JEST USZKODZENIE.	Wyczyścić dokładnie. (Patrz rozdział "Czyszczenie")
Jeżeli nie uda się rozwiązać problemu za pomocą powyższych metod, należy skontaktować się z przedstawicielem działu obsługi klienta w swoim miejscu zamieszkania korzystając z danych kontaktowych na naszej stronie internetowej. Zarejestruj się na stronie www.weber.com .		

KONSERWACJA

Po zakończeniu okresu nie użytkowania grilla, w celu zapewnienia bezpieczeństwa zalecamy przeprowadzenie poniższych czynności konserwacyjnych.

- Przed każdym użyciem grilla należy sprawdzić przewód pod kątem pęknięć, zużycia, wycięć. Jeśli przewód jest niezdatny do użytku, nie należy używać grilla. Przewód należy wymienić tylko na zatwierdzony przez firmę WEBER. **Skontaktować się z przedstawicielem działu obsługi klienta w swoim miejscu zamieszkania korzystając z danych kontaktowych na naszej stronie internetowej. Zarejestruj się na stronie www.weber.com.**

⚠ PRZESTROGA: W razie uszkodzenia lub nieszczelności przewodu gazowego grilla, nie należy używać grilla.

- Sprawdzić palnik pod kątem prawidłowego wzorca płomienia (patrz rozdział "Wzorec płomienia palnika"). Jeśli jest to konieczne wyczyścić zgodnie z procedurami opisanymi w tym rozdziale.
- Sprawdzić wszystkie łączniki gazowe pod kątem wycieków (patrz rozdział "Sprawdzanie pod kątem wycieków").

CZYSZCZENIE OKRESOWE

W celu usunięcia popiołu z kotła, przesunąć pręt regulujący (1) z boku na bok tak, aby łopatką zwilżacza usunąć popiół przez odpowietrzniki kotła do popielnika.

⚠ PRZESTROGA: Przed rozpoczęciem czyszczenia należy upewnić się, że palnik został wyłączony i grill jest zimny.

Podczas czyszczenia należy uważać, aby nie powiększyć otworów w palniku.

W celu wyczyszczenia palnika:

- Wyczyścić za pomocą szczotki drucianej zewnętrzną rurę palnika (2) oraz odcinek otworu palnika (3).

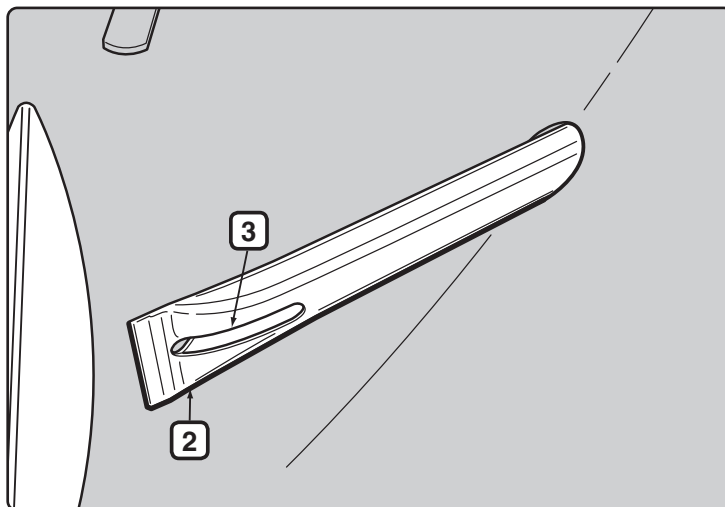
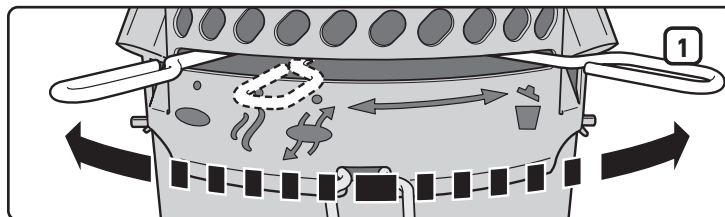
⚠ PRZESTROGA: Należy uważać, aby podczas czyszczenia nie powiększyć otworów palnika i otworu gazowego.

W celu wyczyszczenia kotła:

- Kiedy pokrywa jest ciepła, przetrzeć jej wnętrze za pomocą ręcznika papierowego, aby uniknąć gromadzenia tłuszczu.
- Do powierzchni zewnętrznych należy użyć roztworu wody z mydłem. Przepłukać za pomocą czystej wody.

W przypadku bardziej dokładnego czyszczenia (przynajmniej raz w roku):

- Usunąć popiół po całkowitym wygaśnięciu węgla.
- Zdjąć ruszty i CHAR-BASKETS.
- Wytrzeć za pomocą ręcznika papierowego. Umyć grill za pomocą delikatnego detergentu i wody. Wypłukać dobrze za pomocą czystej wody i wytrzeć do sucha.



PRZECHOWANIE

- Jeżeli grill Performer jest przechowywany w pomieszczeniu, trzeba odłączyć instalację gazową, a butlę z ciekłym propanem należy przechowywać na zewnątrz w miejscu z dobrą wentylacją.
- Butle z ciekłym propanem należy przechowywać na zewnątrz w miejscu z dobrą wentylacją i niedostępnym dla dzieci. Nie wolno przechowywać butli z gazem w budynku, garażu i innym zamkniętym pomieszczeniu.
- Po okresie przechowywania i/lub nie użytkowania grilla, należy przed użyciem sprawdzić grill pod kątem wycieku gazu i blokady w rurze palnika (patrz rozdział "Konserwacja").
- Sprawdzić przed użyciem, czy obszar wokół butli, przewodu i palnika jest wolny od zanieczyszczeń, które mogą utrudnić przepływ gazu lub powietrza.

ALARM ZWIĄZANY Z OBECNOŚCIĄ OWADÓW

Grill Performer tak samo jak każde inne gazowe urządzenie do użytku na zewnątrz stanowi cel dla pająków i owadów. Mogą one zagnieżdżać się w odcinku z węzki Venturiego (1) rury palnika i uniemożliwić prawidłowy przepływ gazu i wypływ gazu z otworów powietrznych.

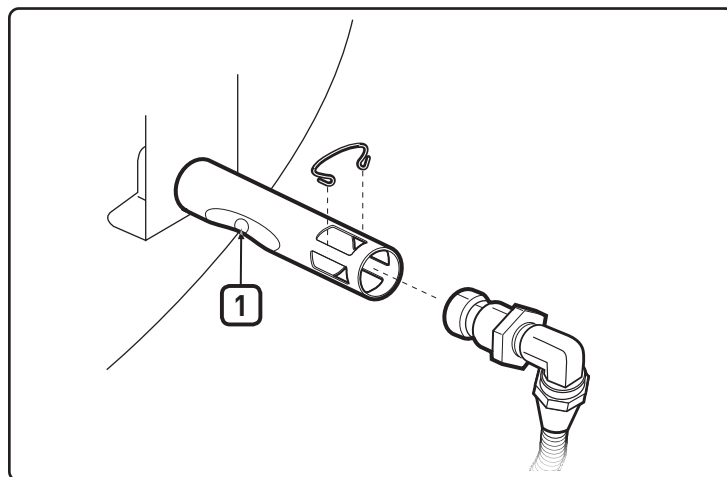
Może to doprowadzić do pożaru w i wokół rury palnika pod panelem kotta. To z kolei może przyczynić się do poważnego uszkodzenia grilla i doprowadzić do sytuacji, w której nie będzie nadawał się do użytku.

Zalecamy sprawdzanie i czyszczenie rury palnika przynajmniej raz w roku lub w przypadku pojawienia się jednego z poniższych objawów:

- A) Zapach gazu potoczony z żółtymi i małymi płomieniami z palnika.
- B) Palnik wydaje dziwne hałasy.

⚠ NIEBEZPIECZEŃSTWO

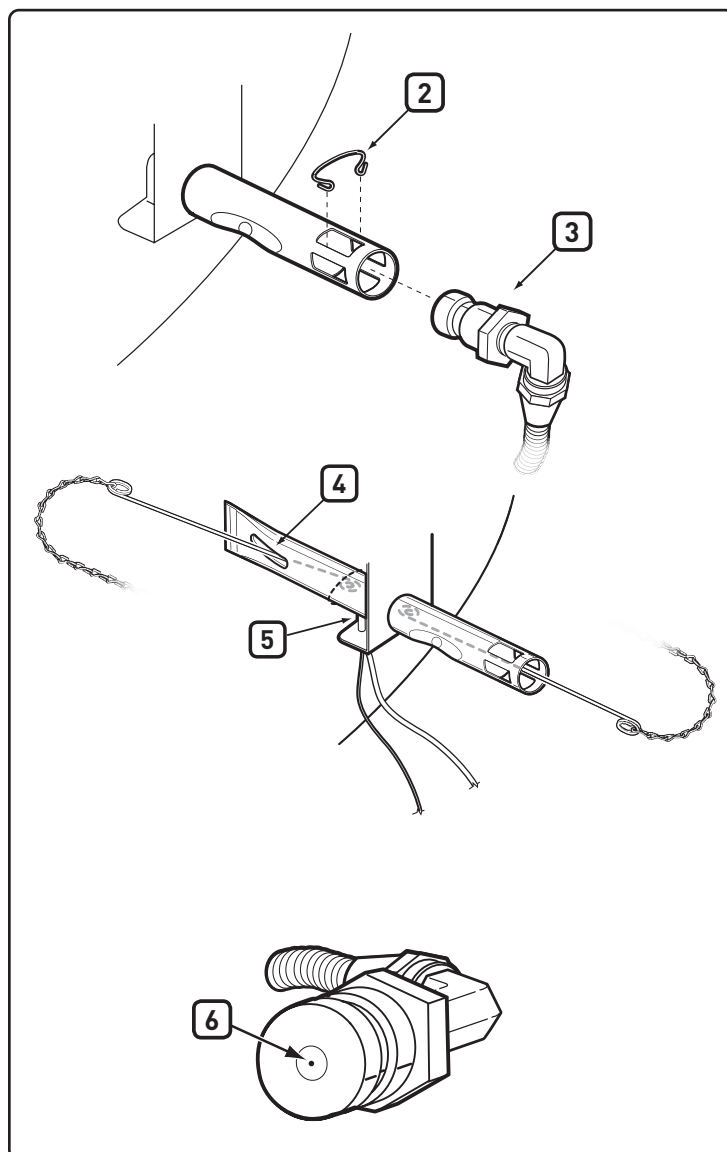
Nie rozwiązanie problemu może być przyczyną pożaru lub wybuchu i doprowadzić do poważnych obrażeń ciała, śmierci i uszkodzenia własności.

**SPRAWDZENIE I CZYSZCZENIE PALNIKA**

- A) Wytączyć doprowadzenie gazu.
- B) Wyjąć pojemnik do przechowywania CHARBIN.
- C) Zdjąć zacisk z otworu (2) i wyjąć łącznik przewodu (3) z rury palnika.
- D) Sprawdzić wnętrze palnika za pomocą latarki.
- E) Oczyszczyć wnętrze palnika za pomocą drucianego uchwyty na zapałkę (umieszczonego za tabliczką z logo WEBER).
Za pomocą drutu wyczyścić obszar odpowietrznika, złączki Venturiego oraz otwory palnika (4) wewnątrz kotta. Należy uważać w czasie wkładania narzędzia do czyszczenia, aby nie uszkodzić elektrody zapłonu (5).
- F) Ponownie sprawdzić i podświetlić latarką pod kątem blokady.
- G) Jeśli jest to konieczne, należy wyczyścić powierzchnię łącznika przewodu za pomocą szczotki drucianej. Otwór (6) można wyczyścić za pomocą małej szpilki.

⚠ PRZESTROGA: Należy uważać, aby nie powiększyć otworu podczas czyszczenia.

- H) Ponownie zmontować elementy, w odwrotnej kolejności (etapy B i C).

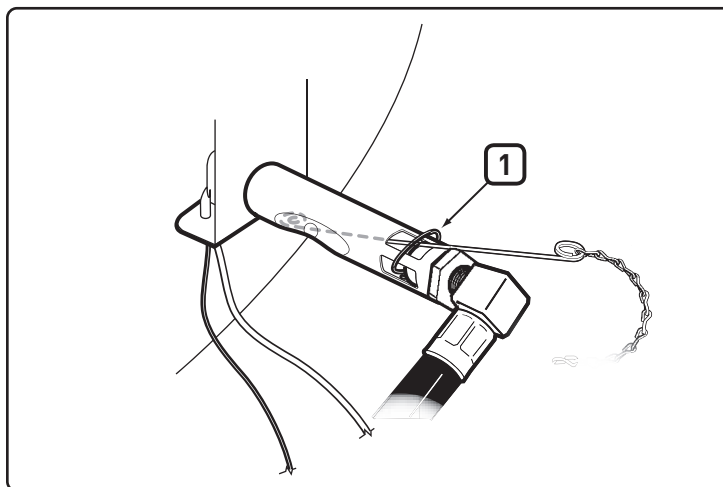


OKRESOWE SZYBKIE CZYSZCZENIE

Zalecamy okresowe wyczyszczenie od zewnątrz otworów palnika za pomocą szczotki drucianej oraz wyczyszczenie rury palnika przez odpowietrznik za pomocą dostarczonego uchwytu do zapatek.

Można to zrobić lokalizując odpowietrznik spalania palnika (1) pod wspornikiem kotła i wkładając narzędzie przez każdy odpowietrznik spalania, obracając narzędzie. Przy wkładaniu uchwytu do zapatek należy uważać, aby nie uszkodzić elektrody zapalnika.

⚠ PRZESTROGA: Ważne jest zwiększenie częstotliwości przeprowadzania tej procedury czyszczenia w okresach wiosennym i letnim.

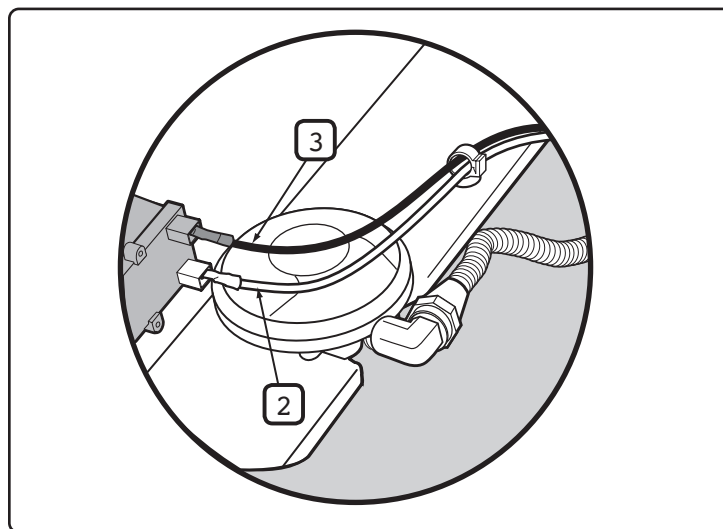


SPRAWDZANIE ELEKTRONICZNEGO UKŁADU ZAPŁONOWEGO

Jeśli elektroniczny układ zapłonowy nie zapali się, należy sprawdzić, czy gaz doptywa do palników podejmując próbę zapalenia za pomocą zapalki. Patrz: "RĘCZNE ROZPALANIE". Jeśli palnik zapalił się po użyciu zapalki, przyczyną problemu jest układ zapłonowy.

⚠ OSTRZEŻENIE: Zawór regulacji i doprowadzenia gazu powinien znajdować się w pozycji WYŁĄCZONY.

- Sprawdzić, czy baterie AAA (tylko alkaliczne) są w dobrym stanie i czy zostały zamontowane w prawidłowy sposób (1). Niektóre baterie są zabezpieczone plastikową osłoną. Ten plastik należy zdjąć. Nie myć tej osłony z etykietą baterii.
- Sprawdzić, czy przewody zapłonowe, biały (2) i czarny (3), są zamocowane prawidłowo.
- Sprawdzić, czy przycisk zapłonu elektronicznego działa, słuchając odgłosów i obserwując iskry na palniku.
- Sprawdzić, czy zapalnik nie poluzował się w ramie. Dokręcić jeśli będzie to konieczne; opis prawidłowej procedury można znaleźć w punkcie "Montaż".



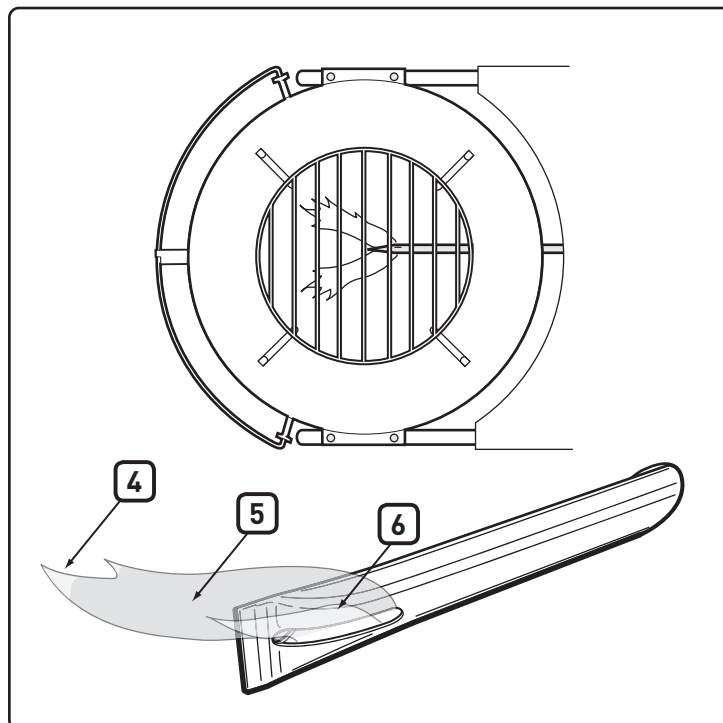
W Razie Potrzeby Wymienić Baterię

Tylko bateria alkaliczna AAA.

Jeśli nie można zapalić palnika za pomocą elektronicznego systemu zapłonowego, należy skontaktować się z przedstawicielem działu obsługi klienta w swoim miejscu zamieszkania, korzystając z danych kontaktowych na witrynie internetowej. Należy zalogować się w witrynie www.weber.com.

WZORZEC PŁOMIENIA W PALNIKU

Palnik grilla został ustawiony fabrycznie pod kątem doprowadzania prawidłowej mieszanki gazu i powietrza. Prawidłowy wzorec płomienia powinien posiadać żółtawe końce (4), niebieski środek (5) i jasno niebieski kolor przy rurze palnika (6). Jeśli płomień nie wygląda tak jak to zostało przedstawione powyżej lub pojawił się dziwny hałas, należy wyczyścić palnik zgodnie z procedurą czyszczenia.



⚠ UWAGA: Ten produkt został przetestowany pod kątem bezpieczeństwa i jest przeznaczony do użytku w określonym kraju. Patrz oznaczenia krajów na zewnątrz opakowania.

Ten produkt może zawierać pojemniki gazu lub elementy do spalania gazu. W celu uzyskania informacji na temat oryginalnych części zamiennych Weber-Stephen Products LLC, należy skontaktować się z Działem obsługi klienta Weber-Stephen Products LLC.

⚠ OSTRZEŻENIE: Nie należy podejmować samodzielnych prób naprawy elementów przeznaczonych do transportu gazu, palenia gazu, bez wcześniejszego skontaktowania się z Działem obsługi klienta Weber-Stephen Products LLC, Działania użytkownika, jeżeli nie będą zgodne z ostrzeżeniami mogą doprowadzić do pożaru lub wybuchu i przyczynić się do poważnych obrażeń, śmierci oraz uszkodzenia mienia.



WEBER-STEPHEN PRODUCTS LLC
www.weber.com



PERFORMER DELUXE

Руководство пользователя гриля Weber на древесном угле

Перед началом использования гриля-барбекю прочтите руководство по эксплуатации.

Монтаж -  Pg 6

**ПРОЧТИТЕ ДАННОЕ РУКОВОДСТВО
ПОЛЬЗОВАТЕЛЯ, ПЕРЕД ТЕМ КАК
ИСПОЛЬЗОВАТЬ ВАШ ГАЗОВЫЙ ГРИЛЬ**

⚠ ОПАСНО

При запахе газа:

1. Перекройте газ на устройстве.
2. Погасите открытый огонь.
3. Откройте крышку.
4. Если запах все еще чувствуется, находитесь подальше от устройства и немедленно вызовите пожарно-газовую службу.

Утечка газа может вызвать пожар или взрыв и привести к серьезным телесным повреждениям или смерти, или материальному ущербу.

⚠ ПРЕДОСТЕРЕЖЕНИЕ: Строго следуйте всем процедурам проверки оборудования на утечку, описанным в настоящем руководстве, перед тем как использовать барбекю. Делайте это, даже если барбекю установлен непосредственно дилером.

⚠ ПРЕДОСТЕРЕЖЕНИЕ:

1. Запрещается хранить бензин или другие возгораемые вещества рядом с этим или любым другим устройством.
2. Цилиндр подачи газа, не подсоединенный для использования, не должен находиться рядом с этим или любым другим устройством.

⚠ ПРЕДОСТЕРЕЖЕНИЕ: Не пытайтесь включить газовый аппарат барбекю Weber, не прочитав раздел "Включение" настоящего руководства.

ИНФОРМАЦИЯ ДЛЯ МОНТАЖНИКА:

Настоящее руководство предназначается для владельца, который будет сохранять его для дальнейшего использования.

ИСКЛЮЧИТЕЛЬНО ДЛЯ ИСПОЛЬЗОВАНИЯ НА УЛИЦЕ.



RU - RUSSIAN

RU

НЕСОБЛЮЖДЕНИЕ УКАЗАННЫХ ПРЕДОСТОРЕЖЕНИЙ «ОПАСНО!», «ПРЕДУПРЕЖДЕНИЕ!» и «ВНИМАНИЕ!» МОЖЕТ СТАТЬ ПРИЧИНОЙ ВОЗНИКНОВЕНИЯ ПОЖАРА ИЛИ ВЗРЫВА, И (ИЛИ) ПРИВЕСТИ К ПОЛУЧЕНИЮ ТЯЖЕЛОЙ ТРАВМЫ, ЛЕТАЛЬНОМУ ИСХОДУ И МАТЕРИАЛЬНОМУ УЩЕРБУ.

- ⚠ ПРЕДУПРЕЖДАЮЩИЕ СИМВОЛЫ (⚠) обозначают важную информацию по ТЕХНИКЕ БЕЗОПАСНОСТИ.
- ⚠ Вместе с ПРЕДУПРЕЖДАЮЩИМИ СИМВОЛАМИ используются слова-предостережения «ОПАСНО!», «ПРЕДУПРЕЖДЕНИЕ!» и «ВНИМАНИЕ!».
- ⚠ Слово «ОПАСНО!» обозначает наиболее серьезную опасность.
- ⚠ Перед эксплуатацией данного изделия необходимо ознакомиться с информацией по технике безопасности, приведенной в настоящем руководстве по эксплуатации.

⚠ ОПАСНО!

- ⚠ Запрещается использовать гриль под легковоспламеняющимися навесами или иными сооружениями.
- ⚠ Неправильная сборка изделия может привести к возникновению опасной ситуации. При сборке изделия следуйте указаниям, приведенным в настоящем руководстве. Эксплуатация гриля допускается только после его окончательной сборки. Перед тем как разжечь гриль, проверьте, что золуловитель правильно прикреплен к ножкам под чашей или установлен большой золуловитель.
- ⚠ Легковоспламеняющиеся материалы не должны находиться на расстоянии менее 60 см сверху, снизу, сзади или сбоку от гриля.
- ⚠ Запрещается наклоняться над грилем при поджигании газовой горелки.
- ⚠ Запрещается использовать гриль при сильном ветре.
- ⚠ Запрещается использовать гриль в случае обнаружения утечки газа.
- ⚠ Запрещается проверять наличие утечки газа с помощью пламени или поджиганием.
- ⚠ Если во время приготовления пищи горелка гаснет, закройте газовый кран. Уберите крышку и подождите пять минут перед тем, как снова зажечь пламя; соблюдайте приведенные в руководстве инструкции по зажиганию горелки.
- ⚠ Не пытайтесь отсоединить газовый редуктор или газовую арматуру во время эксплуатации гриля.
- ⚠ Используйте только газовый редуктор низкого давления, поставляемый в комплекте с грилем.

⚠ ПРЕДУПРЕЖДЕНИЯ!

- ⚠ При подсоединении редуктора следуйте указаниям, предназначенным для газового гриля данного типа.
- ⚠ Не храните запасной или отсоединенный газовый картридж низкого давления под грилем или около него.
- ⚠ Всегда помещайте гриль на прочную и ровную поверхность, вдали от легковоспламеняющихся материалов.
- ⚠ Не кладите чехол для гриля и иные воспламеняющиеся предметы на гриль или в отсек для хранения, расположенный под грилем.
- ⚠ Всегда снимайте крышку перед поджиганием газовой горелки как вручную, так и при помощи воспламенителя. Пока не загорится весь уголь, НЕЛЬЗЯ накрывать гриль крышкой.
- ⚠ Пользуйтесь специальными приборами для гриля с длинными жаропрочными ручками.
- ⚠ С некоторыми моделями могут поставляться крышки со складными ручками TUCK-AWAY. Складные ручки TUCK-AWAY удобны для поддержания крышки, когда вы проверяете или переворачиваете пищу. Не поднимайте и не TUCK-AWAY держа его за складные ручки. Не ставьте горячую крышку на ковровое покрытие или траву. Не вешайте крышку на ручку чаши.
- ⚠ При хранении и обращении с электростартером следует соблюдать аккуратность.
- ⚠ Запрещается держать электрические провода и шнуры питания вблизи горячих поверхностей гриля, а также на проходе.
- ⚠ Перед использованием после длительного хранения и (или) в случае отсутствия эксплуатации проверяйте гриль на наличие утечки газа и засорения горелки. Порядок выполнения этих процедур см. в настоящем руководстве.
- ⚠ Модернизация изделия или его работа на природном газе опасны и влекут аннулирование гарантии.
- ⚠ Газовый картридж с вмятинами или ржавчиной может быть опасен: такой картридж должен быть проверен поставщиком сжиженного газа или газовой службой. Не используйте картридж с поврежденным краном.
- ⚠ Даже если вам кажется, что картридж пуст, в нем могут быть остатки газа. Картридж необходимо соответствующим образом транспортировать и хранить.
- ⚠ Необходимо использовать термостойкие рукавицы или перчатки для гриля (соответствующие стандарту EN 407 (Перчатки для защиты от повышенных температур и огня, уровень 2 или выше) во время приготовления пищи, регулирования вентиляционных отверстий (заслонок), добавления угля и при обращении с термометром или крышкой.
- ⚠ Если вы увидели, почувствовали или услышали, что газ выходит из картриджа:
 1. Отойдите подальше от картриджа.
 2. Не пытайтесь исправить проблему самостоятельно.
 3. Позвоните в пожарную охрану.

⚠ ВНИМАНИЕ!

- ⚠ Не накрывайте чашу фольгой — это препятствует воздухообмену. Вместо этого пользуйтесь маслоуловителем для брызг от мяса при готовке с непрямым нагревом.
- ⚠ Использование острых предметов для очистки решетки для гриля или удаления золы приведет к повреждению покрытия.
- ⚠ Чистка абразивными материалами решетки для гриля или самого гриля приведет к повреждению покрытия.
- ⚠ Гриль необходимо регулярно и тщательно очищать.

Благодарим вас за приобретение продукта WEBER. 1415 S. Roselle Road, Palatine, Illinois 60067 USA («WEBER») гордится тем, что предоставляет своим клиентам безопасные, прочные и надежные продукты. Данная добровольная гарантия WEBER предоставляется вам без дополнительной оплаты. Она содержит информацию, которая вам потребуется для ремонта продукта WEBER в маловероятном случае неисправности или дефекта.

В соответствии с действующим законодательством клиент имеет ряд прав в случае, если продукт оказывается неисправным. Эти права включают дополнительные услуги или замену, снижение цены покупки и компенсацию. Например, в Европейском Союзе законодательством предусмотрена двухлетняя гарантия, начиная с даты передачи продукта. Положения данной гарантии не влияют на эти и другие предусмотренные законодательством права. На самом деле, эта гарантия предоставляет дополнительные права владельца, которые не зависят от положений гарантии в соответствии с законодательством.

ДОБРОВОЛЬНАЯ ГАРАНТИЯ WEBER

Компания WEBER гарантирует покупателю продукта WEBER (или, в случае дарения или рекламных акций, лицу, для которого он был приобретен в качестве подарка или рекламной продукции) отсутствие дефектов материалов и изготовления в продукте WEBER в течение указанного (указанных) ниже срока (сроков), при условии сборки и эксплуатации в соответствии с прилагаемым Руководством пользователя. (Примечание: Если вы потеряли Руководство пользователя WEBER, замена доступна в Интернете по адресу www.weber.com или на другом сайте, предназначенном для конкретной страны, на который владельца могут перенаправить). При условии нормального использования одной семьей, проживающей в частном доме или квартире, и проведения технического обслуживания компания WEBER в рамках данной гарантии соглашается отремонтировать или заменить неисправные детали в указанные сроки и с приведенными ниже ограничениями и исключениями. В ТОЙ СТЕПЕНИ, В КОТОРОЙ ЭТО РАЗРЕШЕНО ПРИМЕНИМЫМ ЗАКОНОДАТЕЛЬСТВОМ, ПОЛОЖЕНИЯ ДАННОЙ ГАРАНТИИ РАСПРОСТРАНЯЮТСЯ ТОЛЬКО НА ПЕРВОНАЧАЛЬНОГО ПОКУПАТЕЛЯ И НЕ ПОДЛЕЖАТ ПЕРЕДАЧЕ ПОСЛЕДУЮЩИМ ВЛАДЕЛЬЦАМ, ЗА ИСКЛЮЧЕНИЕМ УКАЗАННЫХ ВЫШЕ СЛУЧАЕВ ДАРЕНИЯ И РЕКЛАМНОЙ ПРОДУКЦИИ.

ОТВЕТСТВЕННОСТЬ ВЛАДЕЛЬЦА ПО ДАННОЙ ГАРАНТИИ

Для обеспечения эффективного действия гарантии следует (хотя это необязательно) зарегистрировать свой продукт WEBER на сайте www.weber.com или на другом сайте, предназначенном для конкретной страны, на который Владелец могут перенаправить. Просьба также сохранять товарный чек и/или квитанцию, подтверждающие покупку. Регистрация вашего продукта WEBER подтверждает предоставление вам гарантии и передает компании WEBER необходимые данные для связи с вами.

Приведенная выше гарантия применяется только в случае, если владелец принимает разумные меры по уходу за продуктом WEBER, следуя всем инструкциям по сборке, использованию и профилактическому обслуживанию, приведенным в прилагаемом Руководстве пользователя, если только владелец не может доказать, что дефект или сбой в работе не связаны с соблюдением изложенных выше обязанностей. Если вы живете в прибрежной зоне, или ваш продукт находится недалеко от бассейна, обслуживание должно включать регулярное мытье и ополаскивание внешних поверхностей, как описано в прилагаемом Руководстве пользователя.

ОБРАЩЕНИЯ ПО ГАРАНТИИ / ИСКЛЮЧЕНИЯ ИЗ ГАРАНТИИ

Если вы считаете, что на какую-либо деталь продукта распространяется действие настоящей Гарантии, обратитесь, пожалуйста, в Службу поддержки клиентов WEBER, используя контактную информацию на нашем сайте (www.weber.com или на другом сайте, предназначенном для конкретной страны, на который владельца могут перенаправить). После изучения ситуации компания WEBER выполнит ремонт или замену (на собственное усмотрение) неисправной детали, на которую распространяется действие настоящей гарантии. В случае, если ремонт или замена невозможны, компания WEBER может принять решение (на собственное усмотрение) о замене гриля новым грилем такой же или большей стоимости. Компания WEBER может попросить вас направить ей детали для проверки с предоплатой стоимости отправки.

Данная гарантия не действует в случае повреждений, ухудшений состояния, обесцвечивания и/или ржавчины, в связи с которыми WEBER не несет ответственности, вызванные следующими причинами:

- Неправильное, безответственное использование, изменения, модификации, использование не по назначению, вандализм, отсутствие должного ухода, неправильная сборка или установка, а также невыполнение или ненадлежащее проведение обычных и регламентных работ по техобслуживанию;
- Действия насекомых, пауков и грызунов (например, белок), включая без ограничения повреждение трубок горелок и/или газовых шлангов;
- Воздействие соленого воздуха и/или источников хлора, таких как бассейны и горячие ванны/спа;
- Суровые погодные условия, такие как град, ураганы, землетрясения, цунами или шторм, торнадо или сильные грозы.

Использование и/или установка в продукт WEBER деталей, не являющихся оригинальными запчастями WEBER, приведет к аннулированию данной гарантии, и ее действие не будет распространяться на любые вызванные этим повреждения. Любая переделка газового гриля, не разрешенная компанией

WEBER или выполненная не уполномоченным компанией WEBER специалистом по сервисному обслуживанию, приведет к аннулированию данной гарантии.

СРОКИ ГАРАНТИИ

Чаша, крышка и центральное кольцо:
10 лет, от сквозного проржавления/прогорания

Система очистки ONE-TOUCH:
5 лет, от сквозного проржавления/прогорания

Пластмассовые компоненты:
5 лет, за исключением изменения цвета или обесцвечивания

Все другие детали:
2 года

ОТКАЗ ОТ ОТВЕТСТВЕННОСТИ

ПОМИМО ИЗЛОЖЕННЫХ ГАРАНТИИ И ОТКАЗА ОТ ОТВЕТСТВЕННОСТИ, ДАННЫЕ ПОЛОЖЕНИЯ НЕ ПРЕДОСТАВЛЯЮТ ДОПОЛНИТЕЛЬНЫХ ГАРАНТИЙ И НЕ ЯВЛЯЮТСЯ ЗАЯВЛЕНИЕМ О ДОБРОВОЛЬНОМ ПРИНЯТИИ ОТВЕТСТВЕННОСТИ ВНЕ РАМОК ОТВЕТСТВЕННОСТИ КОМПАНИИ WEBER В СООТВЕТСТВИИ С ПОЛОЖЕНИЯМИ ЗАКОНОДАТЕЛЬСТВА. ТАКЖЕ ДАННАЯ ГАРАНТИЯ НЕ ОГРАНИЧИВАЕТ И НЕ ИСКЛЮЧАЕТ СИТУАЦИИ ИЛИ ПРЕТЕНЗИИ, ПРИ КОТОРЫХ КОМПАНИЯ WEBER НЕ СЕСЕТ ПРЕДУСМОТРЕННУЮ ЗАКОНОДАТЕЛЬСТВОМ ОТВЕТСТВЕННОСТЬ.

ПО ИСТЕЧЕНИИ УКАЗАННОГО В ДАННОЙ ГАРАНТИИ СРОКА НИКАКИЕ ГАРАНТИИ НЕ ДЕЙСТВУЮТ. НИКАКИЕ ДРУГИЕ ГАРАНТИИ, ПРЕДОСТАВЛЯЕМЫЕ ЛЮБЫМ ЛИЦОМ, В Т. Ч. ДИЛЕРОМ ИЛИ РОЗНИЧНЫМ ПРОДАВЦОМ, В ОТНОШЕНИИ ЛЮБОГО ПРОДУКТА (НАПРИМЕР, «РАСШИРЕННЫЕ ГАРАНТИИ»), НЕ ЯВЛЯЮТСЯ ОБЯЗАТЕЛЬНЫМИ ДЛЯ WEBER. ЕДИНСТВЕННЫМ СРЕДСТВОМ ИСПРАВЛЕНИЯ, ПРЕДУСМОТРЕННЫМ ДАННОЙ ГАРАНТИЕЙ, ЯВЛЯЕТСЯ РЕМОНТ ИЛИ ЗАМЕНА НЕИСПРАВНОЙ ДЕТАЛИ ИЛИ ПРОДУКТА.

НИ В КОЕМ СЛУЧАЕ РАЗМЕР ВОЗМЕЩЕНИЯ СОГЛАСНО ДАННОЙ ДОБРОВОЛЬНОЙ ГАРАНТИИ НЕ БУДЕТ ПРЕВЫШАТЬ СТОИМОСТИ ПРИОБРЕТЕНИЯ ПРОДУКТА WEBER.

ВЫ ПРИНИМАЕТЕ НА СЕБЯ РИСК И ОТВЕТСТВЕННОСТЬ ЗА УTRATУ, УЩЕРБ ИЛИ ВРЕД, НАНЕСЕННЫЙ ВАМ И ВАШЕМУ ИМУЩЕСТВУ И/ИЛИ ДРУГИМ ЛИЦАМ И ИХ ИМУЩЕСТВУ В РЕЗУЛЬТАТЕ НЕНАДЛЕЖАЩЕГО ИЛИ БЕЗОТВЕТСТВЕННОГО ИСПОЛЬЗОВАНИЯ ПРОДУКТА ИЛИ НЕВЫПОЛНЕНИЯ ПОЛОЖЕНИЙ И ИНСТРУКЦИЙ, СОДЕРЖАЩИХСЯ В ПРИЛАГАЕМОМ К ПРОДУКТУ WEBER РУКОВОДСТВЕ ПОЛЬЗОВАТЕЛЯ.

ЗАПАСНЫЕ ЧАСТИ И ПРИНАДЛЕЖНОСТИ, ЗАМЕНЕННЫЕ ПО ДАННОЙ ГАРАНТИИ, ПОЛУЧАЮТ ГАРАНТИЮ ТОЛЬКО НА ОСТАВШИЙСЯ СРОК ДЕЙСТВИЯ ПЕРВОНАЧАЛЬНОЙ ГАРАНТИИ (КАК УКАЗАНО ВЫШЕ).

ДАННАЯ ГАРАНТИЯ ОТНОСИТСЯ К ИСПОЛЬЗОВАНИЮ ОДНОЙ СЕМЬЕЙ, ПРОЖИВАЮЩЕЙ В ЧАСТНОМ ДОМЕ ИЛИ КВАРТИРЕ, И НЕ РАСПРОСТРАНЯЕТСЯ НА ГРИЛИ WEBER, ИСПОЛЬЗУЕМЫЕ В КОММЕРЧЕСКИХ ЦЕЛЯХ, СОВМЕСТНО ИЛИ В СОСТАВЕ ПАРКА ИЗ НЕСКОЛЬКИХ УСТРОЙСТВ, НАПРИМЕР, В РЕСТОРАНАХ, ГОСТИНИЦАХ, НА КУРОРТАХ ИЛИ В АРЕНДУЕМОЙ НЕДВИЖИМОСТИ.

WEBER МОЖЕТ ВРЕМЯ ОТ ВРЕМЕНИ ИЗМЕНЯТЬ КОНСТРУКЦИЮ СВОИХ ПРОДУКТОВ. НИКАКИЕ ИЗ ПОЛОЖЕНИЙ ДАННОЙ ГАРАНТИИ НЕ ДОЛЖНЫ ТОЛКОВАТЬСЯ КАК ОБЯЗЫВАЮЩИЕ WEBER ВНЕСТИ ТАКИЕ ЖЕ ИЗМЕНЕНИЯ В КОНСТРУКЦИЮ РАННЕ ИЗГОТОВЛЕННЫХ ПРОДУКТОВ, РАВНО КАК ПОДОБНЫЕ ИЗМЕНЕНИЯ НЕ ДОЛЖНЫ ИСТОЛКОВЫВАТЬСЯ КАК ПРИЗНАНИЕ ТОГО, ЧТО ПРЕДЫДУЩИЕ КОНСТРУКЦИИ БЫЛИ ДЕФЕКТНЫМИ.

ЗАМЕНА ШЛАНГА, РЕДУКТОРА И КЛАПАНА В СБОРЕ

⚠ ВАЖНОЕ ЗАМЕЧАНИЕ: Рекомендуем заменять газовый шланг на газовом гриле Weber каждые 5 лет. В некоторых странах могут существовать требования замены газового шланга с более коротким интервалом, чем 5 лет. В этом случае местное требование становится главным к исполнению.

В случае замены шланга, редуктора и клапана в сборе связывайтесь с местным представителем службы обслуживания клиентов, котнактная ифнормация которого находится на нашем веб-сайте. Зарегистрируйтесь на www.weber.com.

СТРАНА

Дания, Швеция, Норвегия, Финляндия, Англия, Нидерланды, Соединенное Королевство, Франция, Испания, Португалия, Бельгия, Ирландия, Греция, Люксембург, Италия, Германия, Австрия

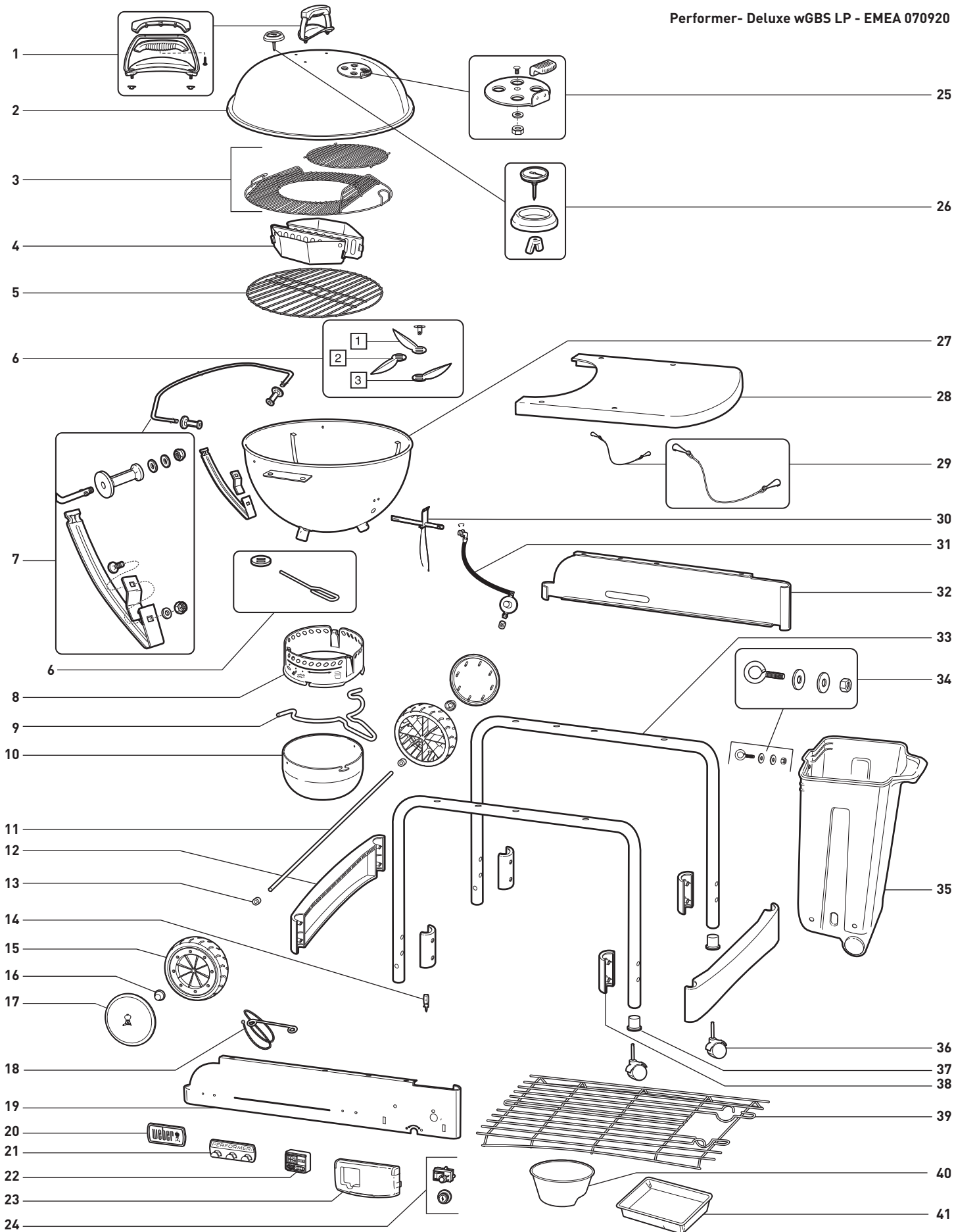
ТИП ГАЗА И ДАВЛЕНИЕ

I_{звр} - 29мбар

ДАННЫЕ О ПОТРЕБЛЕНИИ

Зажигательная горелка. Макс.

Смесь пропана/ бутана	кW	g/h
	2,6	192



- | | | |
|-------------------------------------------------------|-------------------------------------------------|------------------------------------------------------|
| 1. Узел ручки крышки | 15. Колесо | 29. Крепежная деталь контейнера CHARBIN |
| 2. Крышка | 16. Колпак ступицы | 30. Узел горелки |
| 3. Решетка для пицци GBS | 17. Крышка колеса | 31. Шланг и редуктор с выходным отверстием и зажимом |
| 4. Регуляторы CHAR-BASKETS | 18. Держатель для спички | 32. Задняя панель |
| 5. Решетка для угля | 19. Передняя панель | 33. Ножки |
| 6. Система очистки ONE-TOUCH | 20. Табличка с логотипом | 34. Крепеж контейнера CHARBIN |
| 7. Узел съемной ручки крышки TUCK-AWAY и нижней опоры | 21. Держатель инструмента | 35. CHARBIN |
| 8. Кольцо золоуловителя | 22. Цифровой таймер | 36. Фиксируемое колесико |
| 9. Ручка золоуловителя | 23. Крышка узла контроля подачи газа | 37. Колесная втулка |
| 10. Вместительный золоуловитель | 24. Кнопка воспламенителя / Узел воспламенителя | 38. Зажим кронштейна для ножек |
| 11. Ось | 25. Узел заслонки на крышке | 39. Решетка-поддон |
| 12. Кронштейн ножек | 26. Узел термометра | 40. Кружка для насыпания угля |
| 13. Колесная проставка | 27. Чаша | 41. Одноразовый маслоуловитель |
| 14. Воспламенитель | 28. Столик | |

Если у вас появились вопросы или вам нужны рекомендации по безопасному использованию гриля или по самому прибору, зарегистрируйтесь на сайте www.weber.com.

- В этих указаниях содержатся необходимые требования по сборке гриля-барбекю WEBER. Перед использованием гриля-барбекю WEBER внимательно прочтите эти указания. Неправильная сборка может стать причиной опасной ситуации.
- Не предназначено для эксплуатации детьми.
- Этот гриль-барбекю WEBER предназначен только для работы на пропане или на смеси пропана и бутана. Не использовать природный газ. Кран и редуктор предназначены только для работы на пропане или на смеси пропана и бутана.
- Эта работающий на газе гриль-барбекю WEBER не предназначен для использования в коммерческих целях.
- Прием алкоголя и (или) лекарств, отпускаемых по рецепту или без рецепта, могут отрицательно сказаться на способности пользователя правильно собрать и работать с прибором безопасным образом.
- Этот гриль-барбекю WEBER не предназначен и не должен использоваться для

обогревания.

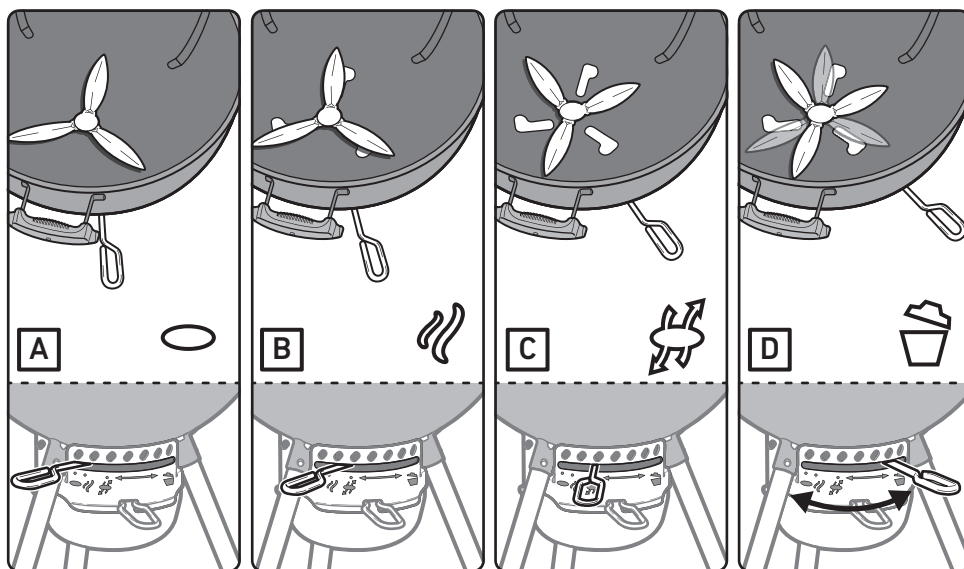
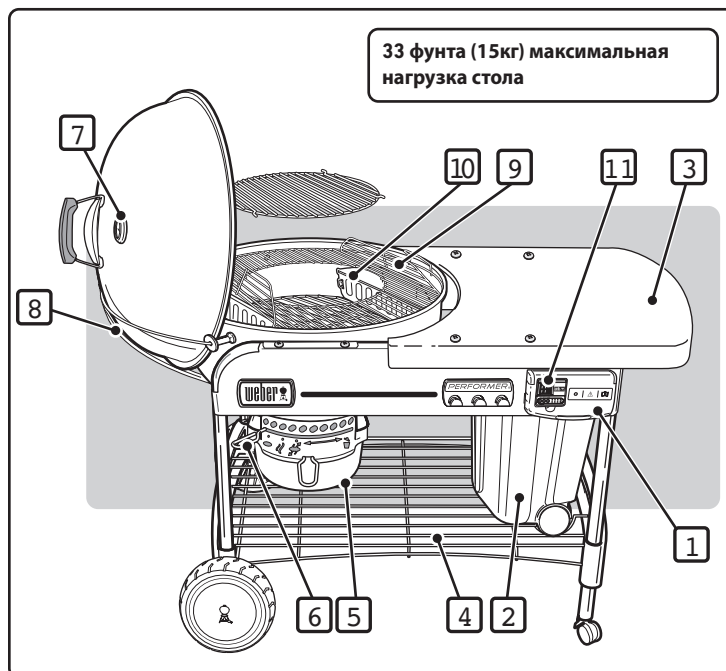
- Не оставляйте гриль-барбекю WEBER без присмотра. Не разрешайте маленьким детям и животным подходить к грилю.
- Пользователю запрещено заменять детали, опломбированные производителем.
- Любая модернизация прибора может привести к опасной ситуации.
- Отсоедините цилиндр, если: 1) он пуст; 2) гриль хранится в гараже или другом закрытом месте; 3) гриль перевозится.

⚠ Не перемещайте изделие при эксплуатации. Перед перемещением гриля дайте ему остыть.

⚠ Изделие не предназначено и не должно использоваться для обогрева.

ОТЛИЧИТЕЛЬНЫЕ ОСОБЕННОСТИ

- Фирменная система воспламенения газа TOUCH-N-GO позволяет легко и быстро поджигать брикеты угля (1). Просто нажмите и удерживайте кнопку, и газовая горелка воспламенится, поджигая уголь. Вам не придется использовать и хранить опасные жидкости для розжига угля, оставляющие характерный привкус в еде.
- Контейнер CHARBIN вмещает пакет с углем весом до 13,7 кг (2). Пакет с углем необходимо поместить в контейнер CHARBIN.
- Металлический столик удобен в процессе приготовления пищи и защищает уголь в контейнере CHARBIN от попадания влаги (3).
- Удобная решетка-поддон для хранения нужных вещей (4).
- Вместительный закрепляемый золоуловитель, предотвращающий распыление золы (5).
- Система очистки ONE-TOUCH для удобного удаления золы, а также для открывания и закрытия вентиляционных отверстий (6).
- Термометр позволяет следить за температурой приготовления внутри гриля (7).
- Съемную TUCK-AWAY крышку можно откинуть назад на ручку из нержавеющей стали; она также служит защитой от ветра при розжигании угля (8).
- Шарнирная решетка для гриля GOURMET BBQ SYSTEM (GBS) (9), шарнирные стороны решетки можно раскрыть, чтобы добавить уголь или щепу при готовке. Содержит вставку для ежедневного использования. Совместима с любыми аксессуарами модельного ряда GOURMET BBQ SYSTEM.
- Регуляторы пламени CHAR-BASKET позволяют с удобством готовить на углях и дровах как с непрямым, так и с прямым направленным нагревом (10).
- Цифровой таймер (11).



RU

A - Вентиляционные отверстия закрыты B - Низко и медленно C - Вентиляционные отверстия открыты
D - Очистка от золы

⚠ ПРЕДУПРЕЖДЕНИЕ: При использовании жидкостей для розжига всегда проверяйте золоборник до розжига. Жидкость может скапливаться в золоборнике и воспламениться, что приведет к возгоранию под котлом. Перед розжигом угля необходимо удалить жидкость для розжига из золоборника.

ПОДСОЕДИНЕНИЕ ОДНОРАЗОВОГО КАРТРИДЖА СЖИЖЕННОГО НЕФТЯНОГО ГАЗА

Используйте одноразовые картриджи сжиженного нефтяного газа с минимальной емкостью 430 г и максимальной емкостью 460 г. Картридж должен быть оснащен клапаном EN417, см. рисунок. Можно использовать картридж модели Primus 2202 или одноразовый картридж WEBER Q Gas.

⚠ ВНИМАНИЕ: Используйте исключительно цилиндры с отметкой Пропан или Пропан-Бутан.

Вставьте одноразовый картридж сжиженного нефтяного газа в регулятор и поверните его по часовой стрелке до упора.

⚠ ПРЕДОСТЕРЕЖЕНИЕ: Зажимайте исключительно руками. Чрезмерная сила может повредить соединение регулятора и привести к утечке газа или блокировке газового потока.

ПРОИЗВЕДИТЕ КОНТРОЛЬ НА УТЕЧКУ ГАЗА:

⚠ ОПАСНО

Не используйте открытое пламя для проверки утечек газа. Во время проверки утечек убедитесь, что в месте проверки отсутствуют источники искрения или открытого пламени. Искры или открытое пламя вызовут пожар или взрыв, что может привести к серьезным телесным повреждениям или смерти, и/или материальному ущербу.

Необходимые инструменты: Одноразовый картридж сжиженного нефтяного газа, водно-мыльный раствор и тряпка или щетка для его нанесения.

- A) Смешайте мыло и воду.
- B) Активизируйте управление газовойделением, поворачивая ручку против часовой стрелки.
- C) Проверьте утечки, увлажняя фитинг водно-мыльным раствором в ожидании появления пузырьков. В случае появления пузырьков и их увеличении, имеется утечка.

ПРОВЕРЬТЕ:

- A) Соединение регулятора с одноразовым картриджем сжиженного нефтяного газа.

⚠ ПРЕДОСТЕРЕЖЕНИЕ: Если в соединении (1) обнаружилась утечка, удалите одноразовый картридж сжиженного нефтяного газа. Не включайте гриль. Используйте другой одноразовый картридж сжиженного нефтяного газа и снова убедитесь в отсутствии утечек при помощи водно-мыльного раствора. Если утечка остается и после повторного закрепления картриджа сжиженного нефтяного газа, отключите газ. НЕ ИСПОЛЬЗУЙТЕ ГРИЛЬ. Обратитесь к местному представителю отдела обслуживания покупателей. Контактная информация находится на нашем Веб-сайте. Зайдите на сайт www.weber.com.

ПРОВЕРЬТЕ:

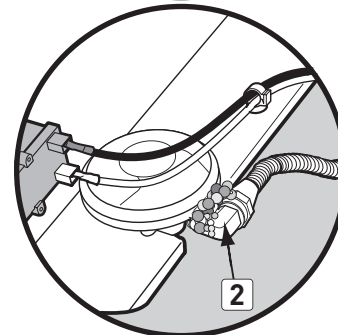
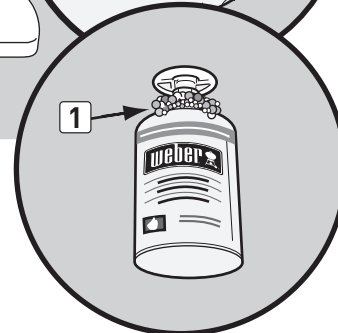
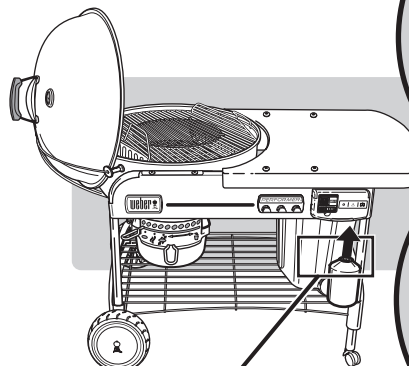
- B) Соединения клапана и регулятора.

⚠ ПРЕДОСТЕРЕЖЕНИЕ: Если есть утечка на соединении (2), отключите газ. НЕ ИСПОЛЬЗУЙТЕ ГРИЛЬ. Обратитесь к местному представителю отдела обслуживания покупателей. Контактная информация находится на нашем Веб-сайте. Зайдите на сайт www.weber.com.

По завершении проверок на утечку отключите блок подачи газа и сполосните соединения водой.

⚠ ОПАСНО

Запрещается хранить запасной картридж сжиженного нефтяного газа под или рядом с этим устройством.



ЗАЖИГАНИЕ

⚠ ОПАСНО

Перед зажигом откройте крышку. Не используйте горючие жидкости, такие как пусковое топливо, газолин, спирт или самовозгорающиеся угли, в том числе при ручном разжигании. Это может привести к тяжелым телесным повреждениям или смерти.

A) Удалите крышку гриля перед тем, как подать газ.

⚠ ОПАСНО: Невыполнение этой инструкции может привести к накоплению газа, что станет причиной пожара или взрыва и приведет к тяжелым телесным повреждениям или смерти, а также материальному ущербу.

B) Откройте демпферы нижней чаши (1).

C) Расположите CHAR-BASKETS над горелкой (2).

D) Нажмите на выступы на крышке блока управления газом (3) и приподнимите ее, чтобы открыть.

E) Подайте газ (против часовой стрелки) полным поворотом ручки (4).

⚠ ПРЕДОСТЕРЕЖЕНИЕ: При зажигании не прислоняйтесь к открытому барбекю.

F) Нажмите и удерживайте нажатой кнопку зажигателя пока не загорится огонь (5).

⚠ ВНИМАНИЕ: В ясный день может быть трудно смотреть на огонь.

G) После зажигания древесного угля (прибл. через 5 минут), поверните ручку управления газом в положение OFF (по часовой стрелке).

⚠ ВНИМАНИЕ: Убедитесь в том, что крышка плотно закрыта.

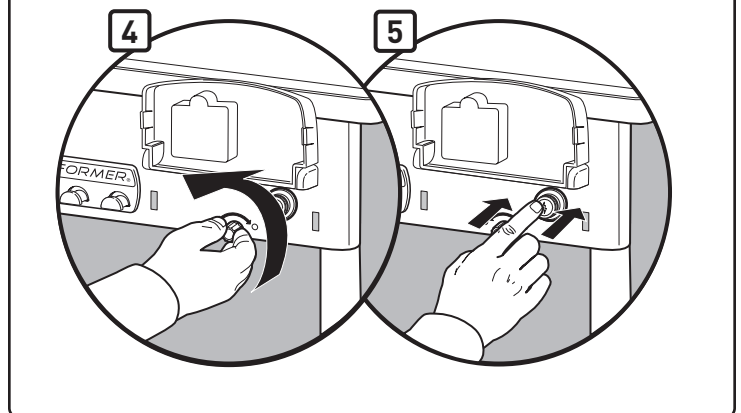
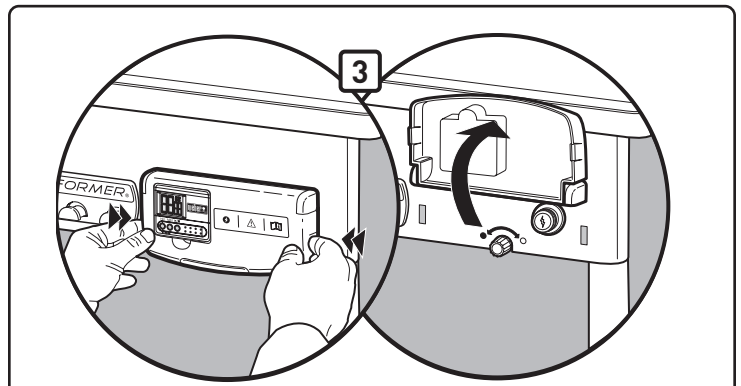
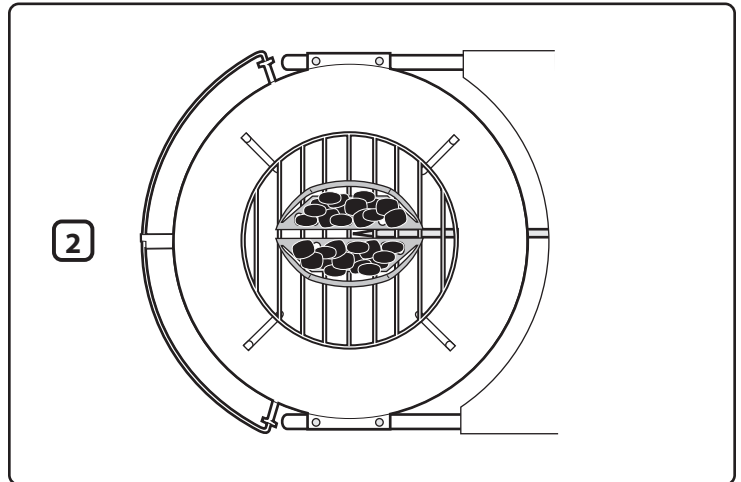
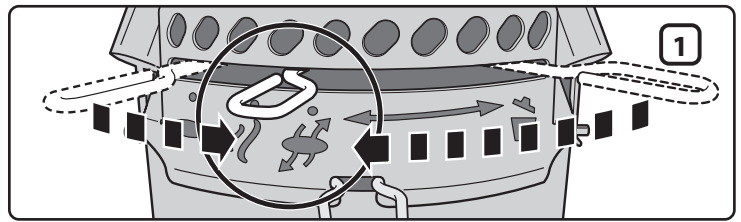
Примечание - Продленное время работы бака сокращает срок его службы.

H) Можно начинать готовку, когда брикеты покрылись легким слоем серой золы (прибл. 25-30 минут).

ГАШЕНИЕ

Для выключения поверните ручку управления газом в положение OFF (по часовой стрелке).

⚠ Для перемещения корзин для угля CHAR-BASKETS над горелкой необходимо надевать рукавицы или перчатки для гриля (соответствующие стандарту EN 407 (Перчатки для защиты от повышенных температур и огня, уровень 2 или выше) и использовать щипцы.



РУЧНОЕ ЗАЖИГАНИЕ

⚠ **ОСТОРОЖНО.** Не пытайтесь зажечь гриль вручную без использования держателя для спичек.

⚠ **ОПАСНО**

Перед зажигом откройте крышку. Не используйте горючие жидкости, такие как пусковое топливо, бензин, спирт или самовозгорающиеся угли, в том числе при ручном зажигании. Это может привести к тяжелым телесным повреждениям или смерти.

A) Удалите крышку гриля перед тем, как подать газ.

⚠ **ОПАСНО:** Невыполнение этой инструкции может привести к накоплению газа, что станет причиной пожара или взрыва и приведет к тяжелым телесным повреждениям или смерти, а также материальному ущербу.

B) Откройте демпферы нижней чаши (1).

C) Снимите CHAR-BASKETS с горелки (2).

D) Нажмите на выступы на крышке блока управления газом (3) и приподнимите ее, чтобы открыть.

E) Установите спичку в держателе для спичек. Зажгите спичку.

F) Подайте газ (против часовой стрелки) полным поворотом ручки (4).

G) Поднесите пламя спички сзади канала горелки (5).

⚠ **ПРЕДОСТЕРЕЖЕНИЕ:** При ручном зажигании нельзя держать руки прямо над горелкой.

⚠ **ПРЕДОСТЕРЕЖЕНИЕ:** При зажигании не прислоняйтесь к открытому барбекю.

⚠ **ВНИМАНИЕ:** В ясный день может быть трудно смотреть на огонь.

H) Надевайте рукавицы для барбекю и используйте щипцы для повторной установки CHAR-BASKETS над горелкой.

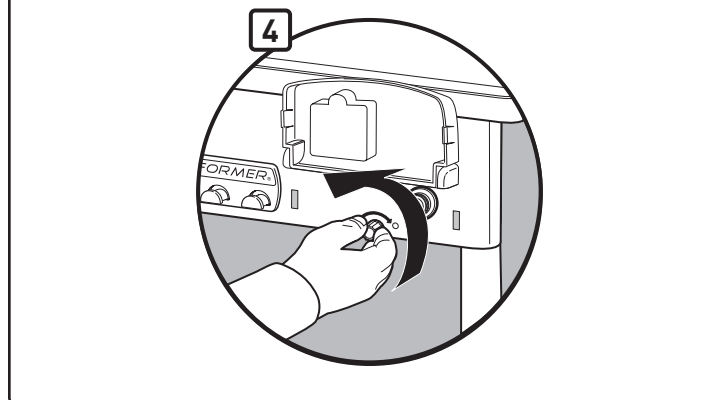
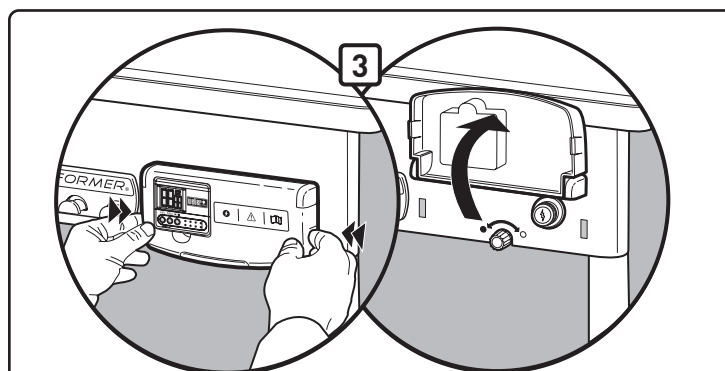
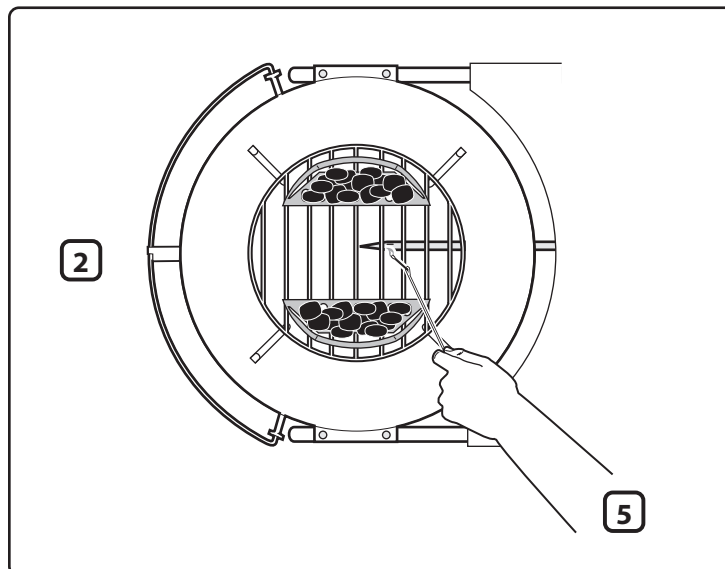
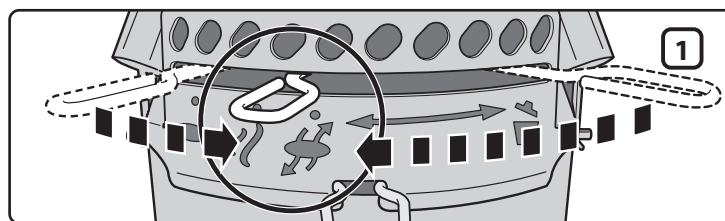
I) После того как уголь разгорелся (приблизительно 5 минут), выключите блок подачи газа (по часовой стрелке) до упора.

J) Можно начинать готовку, когда брикеты покрылись легким слоем серой золы (прибл. 25-30 минут).

ГАШЕНИЕ

Для выключения поверните ручку управления газом в положение OFF (по часовой стрелке).

⚠ **Для перемещения корзины для угля CHAR-BASKETS над горелкой необходимо надевать рукавицы или перчатки для гриля (соответствующие стандарту EN 407 (Перчатки для защиты от повышенных температур и огня, уровень 2 или выше) и использовать щипцы.**



РАБОТА С ТАЙМЕРОМ

Этот водонепроницаемый цифровой таймер снабжен функциями прямого и обратного отсчета в часах, минутах и секундах.

Для установки функции обратного отсчета:

- Нажмите **на кнопку:** ► / ■ «Start / Stop» (Старт / Стоп) для включения подсветки.
- Нажмите **на кнопку** «HR» (часы) (1) для выбора количества часов. Удерживайте кнопку, чтобы поставить нужное количество часов (максимальное число — 99 часов) (4).
- Нажмите **на кнопку** «MIN» (минуты) (2) для выбора количества минут. Удерживайте кнопку, чтобы поставить нужное количество минут (максимальное число — 59 минут) (5).
- После установки времени нажмите **на кнопку:** ► / ■ «Start / Stop» (Старт / Стоп) (3) для включения обратного отсчета.
- Когда кончится время, сигнал будет звучать в течение 30 секунд и автоматически перезапустит обратный отсчет по последней настройке параметров.

ВАЖНО!

Пока при обратном отсчете на таймере остается больше часа, индикаторы «Н» и «М» (часы и минуты) будут мигать; а значения будут уменьшаться с каждой минутой. Когда на таймере останется менее часа, указатели «Н» и «М» сменятся на «М» и «S» (минуты и секунды), а обратный отсчет пойдет по секундам; значение будет уменьшаться с каждой секундой.

Чтобы сбросить время:

- Нажмите **на кнопку:** ► / ■ «Start / Stop» (Старт / Стоп) для включения подсветки.
- Нажмите **на кнопки** «HR» (часы) и «MIN» (минуты): ↻ одновременно (1)(2).

Для установки функции прямого отсчета:

- Нажмите **на кнопку:** ► / ■ «Start / Stop» (Старт / Стоп) для включения подсветки.
- Еще раз нажмите **на кнопку:** ► / ■ «Start / Stop» (Старт / Стоп) для включения функции прямого отсчета. При прямом отсчете на дисплее счет будет отражаться в формате часов/минут и минут/секунд.
- Дважды нажмите **на кнопку:** ► / ■ «Start / Stop» (Старт / Стоп) для отключения таймера. Прямой отсчет остановится через 99 часов (4), 59 минут (5).

Автоматическое выключение:

- Чтобы батарея работала дольше, подсветка выключается через 10 секунд. Таймер полностью отключится после 10 минут бездействия.

Примечание: При использовании таймера в условиях, в которых возможен саморазряд батареи (например, утечка в виде статического электричества), параметры настройки времени могут быть сброшены. В этом случае таймер нужно перезапустить.

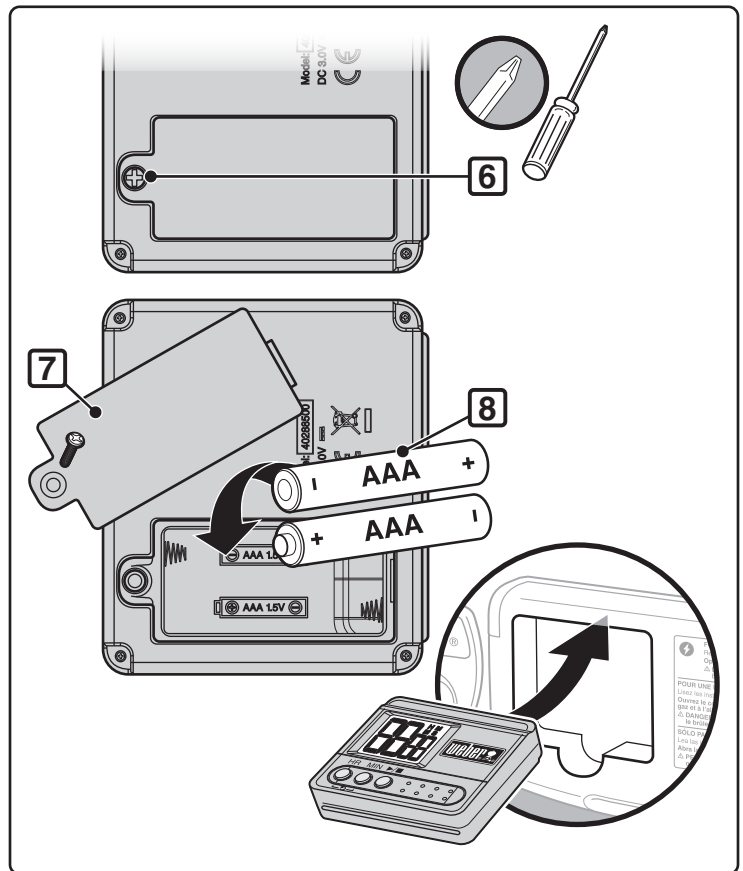
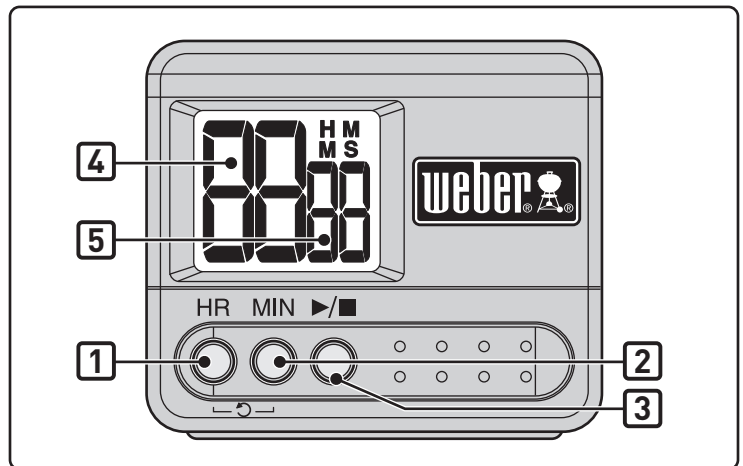
Установка батарей:

- Чтобы открыть расположенный на задней стенке таймера отсек для батареи, используйте крестообразную отвертку (6) и откручивайте винт по часовой стрелке.
- Снимите крышку отсека для батареи с задней панели таймера (7).
- Вставьте или замените батареи типа AAA (8).
- Установите крышку.
- Закрепите крышку, закрутив винты крестообразной отверткой против часовой стрелки.
- После установки батарей на ЖК-экране отобразится значок (0000).

Обслуживание:

- Не выполняйте очистку таймера материалами с абразивами или агрессивными соединениями: они могут поцарапать поверхность или разрушить электронные схемы.
- Не прикладывайте силу при эксплуатации таймера, не подвергайте его ударам, воздействию пыли, высоким температурам и влажности. Это может привести к неправильной работе таймера, сокращению срока службы электронных компонентов, повреждению батарей и деформированию деталей прибора.
- Не пытайтесь изменить внутреннюю конструкцию таймера. Это приведет к аннулированию гарантии и может повлечь нежелательное повреждение батарей и внутренних деталей.
- Не подвергайте таймер продолжительному воздействию прямых солнечных лучей или сильного дождя.
- Не погружайте таймер в воду.

Для улучшения рабочих характеристик таймера, когда вы им не пользуетесь, храните его в помещении.



ПРОБЛЕМА	ПРОВЕРКА	РЕШЕНИЕ
Горелка горит желтым или оранжевым пламенем и чувствуется запах газа.	Проверьте горелку на возможные засорения.	Очистите горелку. (см. раздел "Техническое обслуживание")
Горелка не загорается или слабый огонь.	Мало жидкого нефтяного топлива или нет его?	Замените цилиндр жидкости.
	Изогнут или перекручен топливный шланг?	Выпрямите топливный шланг.
	Горелка зажигается спичкой?	Если горелка может зажигаться спичкой, проверьте систему зажигания.
	Соединение шланга и трубки горелки произведено должным образом?	Подсоедините газовый шланг к трубке горелки, используя предоставленный металлический зажим. ⚠ ОПАСНО: Не используйте функцию зажигания газа при отсутствии зажима. Отсутствие зажима может стать причиной тяжелых телесных повреждений или смерти, а также материального ущерба. Свяжитесь со службой обслуживания клиентов для замены зажима.
Форма факела горелки неравномерная.	Горелка чистая?	Очистите горелку. (см. раздел "Техническое обслуживание")
Горелка не зажигается при нажатии на кнопку зажигателя.	Убедитесь в поступлении потока газа на горелки, зажигая их спичками. См. "РУЧНОЕ ЗАЖИГАНИЕ."	Если зажигание спичками оказалось успешным, то проблема заключается в системе зажигания. См. "РАБОТА СИСТЕМЫ ЭЛЕКТРОННОГО ЗАЖИГАНИЯ."
	Установлена новая батарея?	Проверьте, что батарея в хорошем состоянии и правильно установлена. См. "ПРОВЕРКА ЭЛЕКТРОННОГО ВОСПЛАМЕНИТЕЛЯ."
	Весь кабель подсоединен к блоку зажигания правильно?	Проверьте, чтобы провода были правильно вставлены в клеммы на коробке зажигания. См. "РАБОТА СИСТЕМЫ ЭЛЕКТРОННОГО ЗАЖИГАНИЯ."
	Есть ли пластиковая оболочка на новой батарее?	Удалите пластиковую оболочку.
Таймер не работает.	Вы установили новые батареи?	Убедитесь, что батареи находятся в хорошем состоянии и правильно установлены. Прочтите раздел «РАБОТА С ТАЙМЕРОМ».
Внутренняя часть крышки становится "облезлой". (напоминает шелушение окрасочного слоя).	То, что вы видите, это запеченный жир, который превратился в уголь и отслаивается. ЭТО НЕ ДЕФЕКТ.	Хорошо очистите. (см. раздел "Очистка")
Если проблему нельзя решить этими способами, обращайтесь к местному представителю службы по работе с покупателями. Контактная информация находится на нашем Веб-сайте. Зайдите на сайт www.weber.com .		

ТЕХНИЧЕСКОЕ ОБСЛУЖИВАНИЕ

В случае неиспользования аппарата в течение некоторого времени, рекомендуем производить следующие операции по техобслуживанию для гарантии вашей безопасности.

- Каждый раз перед использованием проверяйте шланг барбекю на трещины, растрескивания, истирания или порезы. Если шланг оказывается непригодным для использования, не пользуйтесь барбекю. Произведите замену, используя исключительно авторизованные запасные детали WEBER. **Обратитесь к местному представителю отдела обслуживания покупателей. Контактная информация находится на нашем Веб-сайте. Зайдите на сайт www.weber.com.**

⚠ ВНИМАНИЕ: Если газовый шланг барбекю поврежден или протекает, не пользуйтесь барбекю.

- Проверьте правильность формы факела (см. раздел “Форма факела горелки”). Очистите прибор, если необходимо, в соответствии с процедурами, указанными в данном разделе.
- Проверьте всю газовую аппаратуру на утечки (см. раздел “Проверка на утечки газа”).

ПЕРИОДИЧЕСКАЯ ОЧИСТКА

Чтобы удалить золу из чаши, поверните приводной вал (1) поперек, чтобы лопатки воздушного клапана выметали золу через воздушные клапаны чаши в золоуловитель.

⚠ ВНИМАНИЕ: Перед произведением очистки убедитесь в том, что горелка выключена и прибор барбекю остыл.

Не расширяйте каналы горелки при очистке.

Очистка горелки:

- Очистите внешнюю часть трубы горелки (2) и участок канала горелки (3) железной щеткой.

⚠ ВНИМАНИЕ: При очистке не расширяйте каналы горелки или газовые отверстия.

Очистка котла:

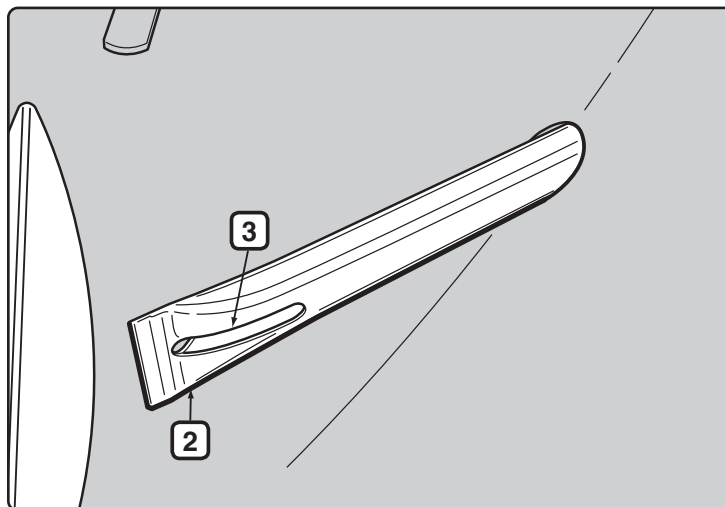
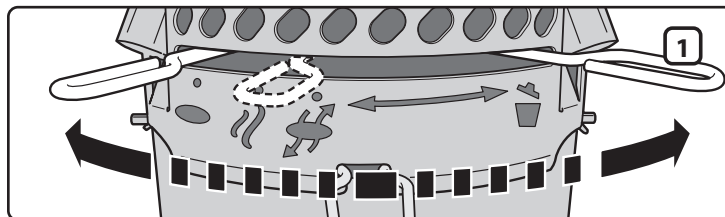
- Когда крышка теплая, протрите внутри бумажным полотенцем во избежание образования жировых пятен.
- Для внешних поверхностей используйте теплый водно-мыльный раствор, хорошо смывайте его чистой водой.

Капитальная очистка (должна производиться не менее раза в год):

- Удалите золу после полного погашения углей.
- Удалите решетки и CHAR-BASKETS.
- Протрите бумажным полотенцем. Промойте барбекю водой и мягким моющим средством. Тщательно сполосните чистой водой и вытрите насухо.

ХРАНЕНИЕ

- При сохранении гриля в помещении необходимо отключить подачу газа и



расположить бак жидкого нефтяного топлива снаружи в хорошо проветриваемой зоне.

- Баки жидкого нефтяного топлива должны храниться на улице в хорошо проветриваемом и недоступном для детей месте, они не должны находиться в помещении, гараже или другом закрытом участке.
- После некоторого периода сохранения и/или неиспользования проверьте барбекю на утечки газа и загрязнение трубы горелки до использования (см. раздел “Техническое обслуживание”).
- Перед использованием, проверьте, чтобы зоны вокруг бака, шланга и узла горелки не содержали осколков, которые могут препятствовать потоку газа или воздуха.

ВНИМАНИЕ НАСЕКОМЫЕ

Ваш гриль Performer, как и любое газовое оборудование для наружного применения, является мишенью для пауков и насекомых. Они могут гнездиться в отделе сопла Вентури (1) трубы горелки, что может привести к обратному потоку газа из воздушной заслонки.

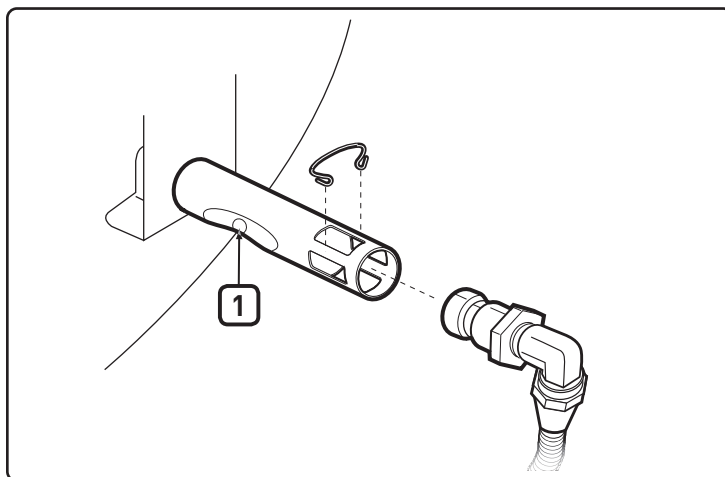
Это может привести к возгоранию внутри и вокруг трубки горелки под панелью чаши. Это нанесет серьезный ущерб вашему барбекю с потерей характеристик безопасности работы.

Настоятельно рекомендуем проверять и чистить трубку горелки не менее раза в год или при обнаружении следующих признаков:

- A) Запах газа и вместе с тем бледно-желтый и медленный огонь горелки.
- B) Горелка производит шум хлопков.

⚠ ОПАСНО

В случае игнорирования этих признаков может произойти возгорание, которое приведет к серьезным телесным повреждениям или смерти, а также материальному ущербу.

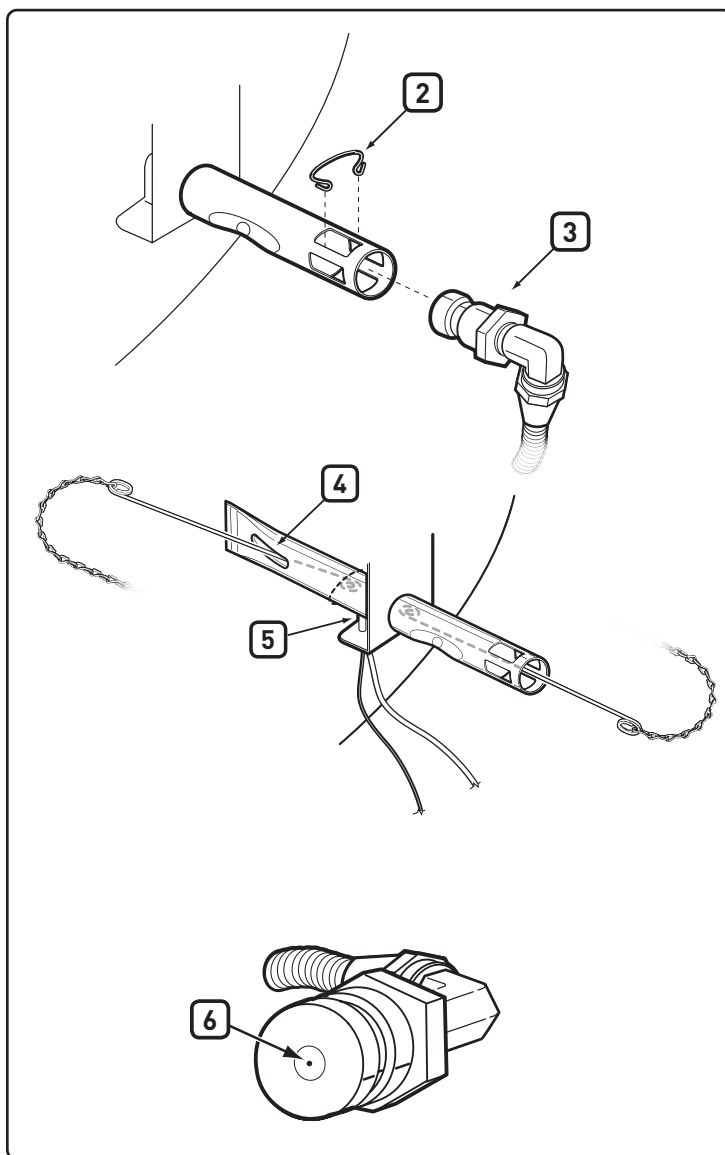


КОНТРОЛЬ И ОЧИСТКА ГОРЕЛКИ

- A) Отключите газ.
 - B) Удалите контейнер для хранения CHARBIN.
 - C) Снимите скобу канала (2) и шланговую арматуру (3) с трубки горелки.
 - D) Загляните вовнутрь горелки при помощи фонарика.
 - Д) Очистите внутреннюю часть горелки с помощью проволочного держателя для спички (установлен позади таблички с логотипом WEBER).
- Используйте провод для очистки воздушного клапана, сопла Вентури и каналов горелки (4) внутри чаши. Будьте осторожны при вводе чистящего инструмента горелки, чтобы не повредить электрод зажигания (5).
- F) Проверьте еще раз на наличие каких-либо засорений.
 - G) Если необходимо, можно очистить поверхность шланговой арматуры железной щеткой. Канал (6) можно очищать небольшой шпилькой.

⚠ ВНИМАНИЕ: Не расширяйте каналы при очистке.

- H) Соберите снова, реверсируя этапы B и C.

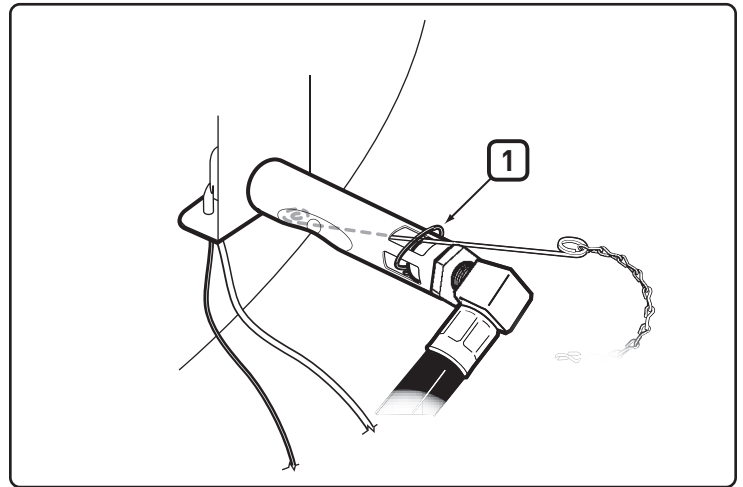


ПЕРИОДИЧЕСКАЯ БЫСТРАЯ ОЧИСТКА

Рекомендуем периодически чистить внешнюю сторону каналов горелки железной щеткой и чистить трубку горелки специально предоставленным инструментом через вентиляционное отверстие.

Это можно сделать, располагая отверстие воздуха горения (1) под опорой чаши и применяя этот инструмент на каждой стороне отверстия воздуха горения, вращая инструмент. Будьте внимательны, чтобы не повредить поджигающий электрод деревянной частью спички.

⚠ ВНИМАНИЕ: Важно увеличить частоту этих операций очистки весной и летом.



ПРОВЕРКА СИСТЕМЫ ЭЛЕКТРОННОГО ЗАЖИГАНИЯ

Если система электронного зажигания не срабатывает, проверьте подачу газа к горелкам, попробовав зажечь горелки спичками. См. "РУЧНОЕ ЗАЖИГАНИЕ". Если зажигание спичками оказалось успешным, то проблема заключается в электронном зажигании.

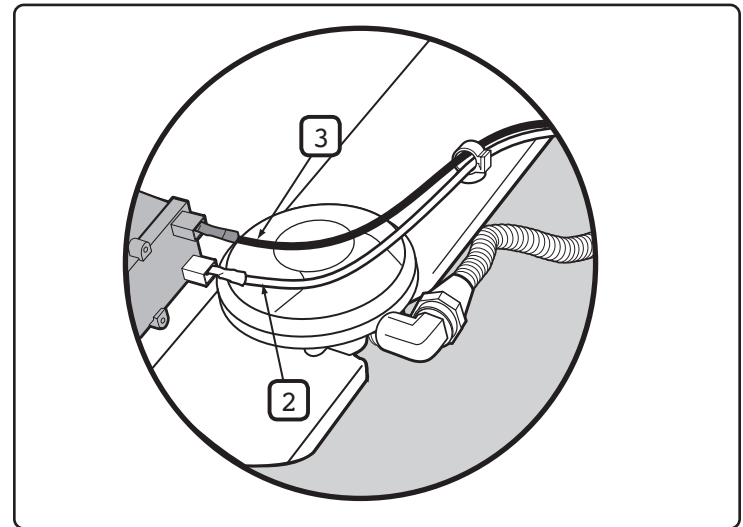
⚠ ВНИМАНИЕ: Ручки управления газом и кран подачи газа должны быть в положении OFF.

- Проверьте, чтобы батарея AAA (только щелочная) находилась была в хорошем состоянии и была правильно установлена (1). Некоторые батареи имеют пластиковую защитную оболочку. Ее необходимо удалить. Не спутайте оболочку с наклейкой-ярлыком батареи.
- Проверьте, чтобы белый (2) и черный (3) провода заземления были подсоединены должным образом.
- Проверьте, чтобы работала кнопка электронного зажигания, прислушиваясь и наблюдая искры в горелке.
- Проверьте, чтобы зажигательное устройство не было расшатано в раме. Зажмите при необходимости; См. раздел "Установка" для правильного выполнения процедуры.

Замените Батарею При Необходимости

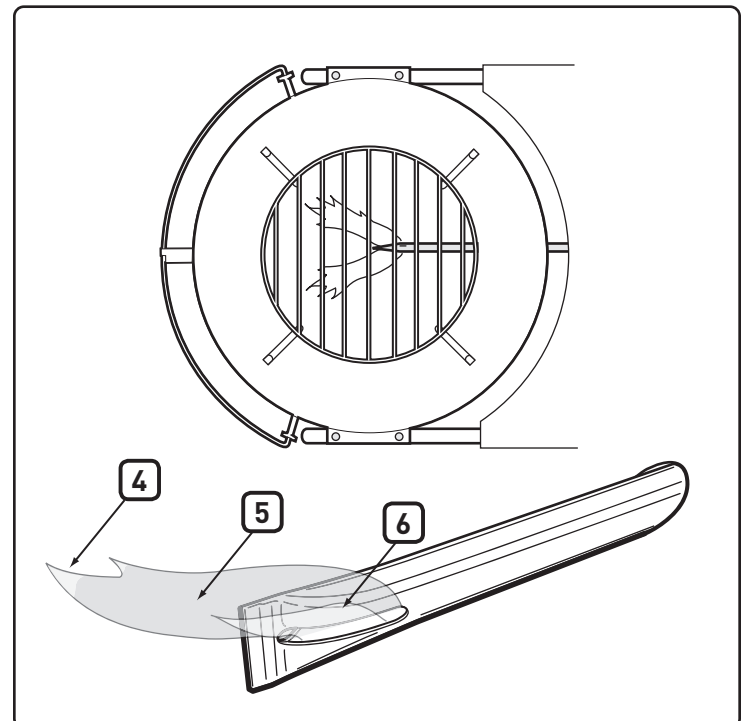
Только щелочная батарея AAA.

Если система электронного зажигания все же не работает, обращайтесь к местному представителю отдела обслуживания покупателей. Контактная информация находится на нашем Веб-сайте. Зарегистрируйтесь на сайте www.weber.com.



ФОРМА ФАКЕЛА ГОРЕЛКИ

Правильный поток воздуха и газовая смесь горелки настраиваются на заводе. Правильная форма факела имеет желтоватый оттенок на концах (4), темно-синий посередине (5) и светло-синий на трубке горелки (6). Если огонь не соответствует указанным характеристикам или при появлении шума "хлопков", произведите очистку горелки.



⚠ ВНИМАНИЕ: Этот продукт успешно прошел испытания и сертифицирован только для использования в конкретной стране. Страна указана на наружной стороне коробки.

Эти детали могут быть компоненты, выполняющие перемещение газа или горение. Относительно оригинальной сменной детали (деталей) компании Weber-Stephen Products LLC, обратитесь в отдел обслуживания покупателей Weber-Stephen Products LLC.

⚠ ПРЕДУПРЕЖДЕНИЕ: Не пытайтесь ремонтировать компоненты, выполняющие перемещение газа или горение, не обратившись в отдел обслуживания покупателей Weber-Stephen Products LLC, Несоблюдение этого предупреждения может вызвать пожар или взрыв, что приведет к серьезным телесным повреждениям или смерти, а также к материальному ущербу.



WEBER-STEPHEN PRODUCTS LLC
www.weber.com