



SmokeFire

Wood Pellet Barbecue



ASSEMBLY GUIDE



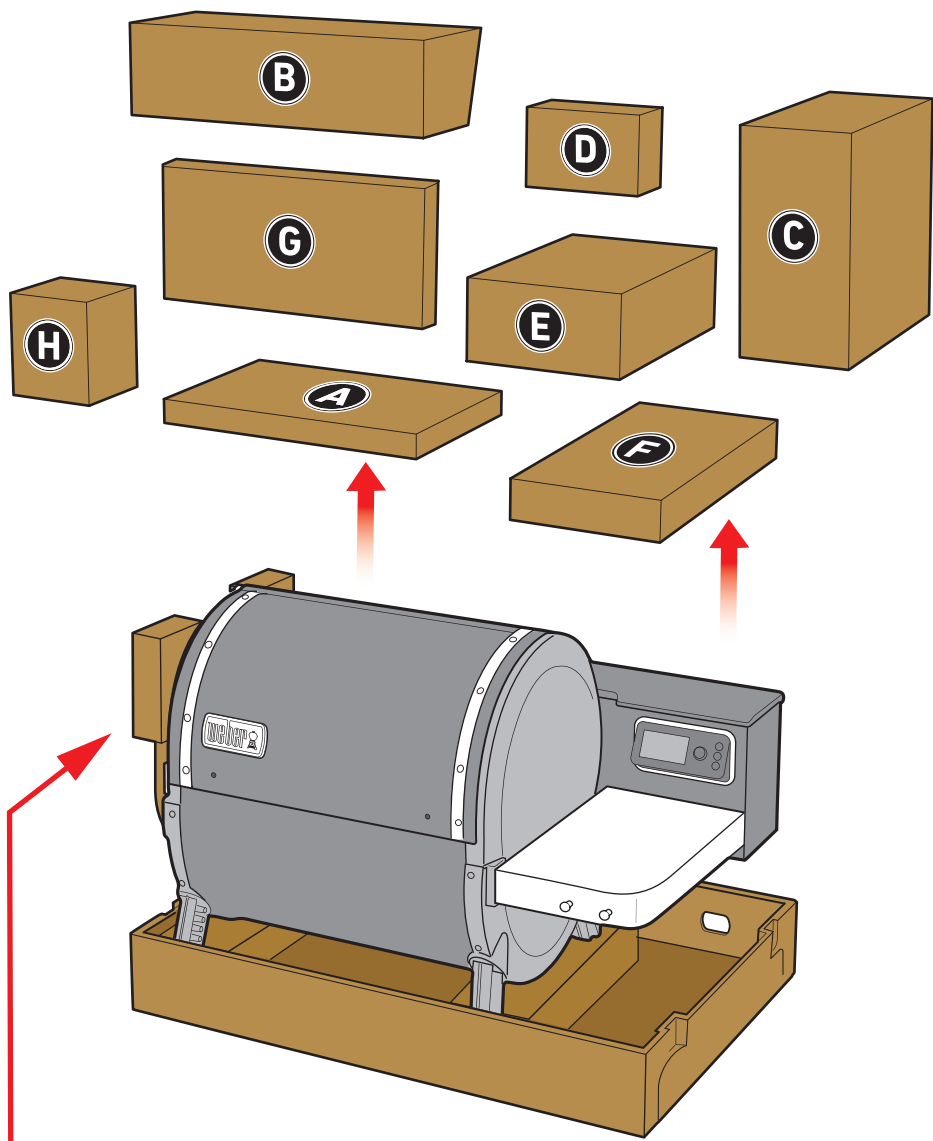
Free download

52771

05/29/20

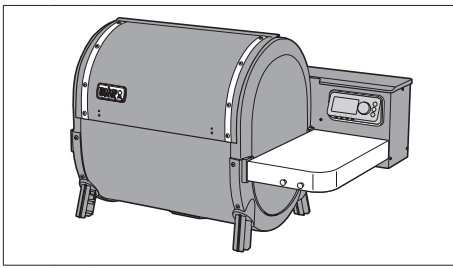
AU / NZ

- ⚠ Two people required for assembly.
- ⚠ Before unpacking your barbecue, follow assembly guide for specific unpacking and assembly instructions.
- ⚠ Assemble the barbecue on a flat, level, and soft surface.
- ⚠ Do not use power tools for assembly.
- ⚠ Always keep the lid closed while assembling or moving the barbecue unless otherwise instructed.




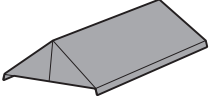
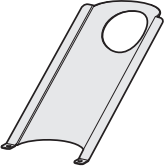

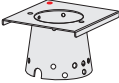
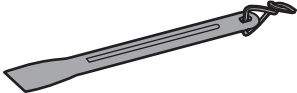
⚠ Do not remove protective end pad until after the legs are assembled.


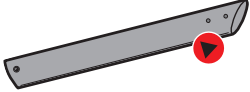
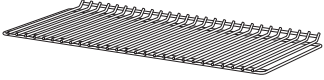
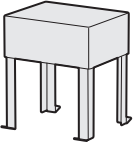
⚠ Do not remove barbecue from cardboard base.



EX4	EX6	
0	1	A
1	1	
2	2	
		B
1	1	
2	2	
1	1	
2	2	
1	1	
1	1	

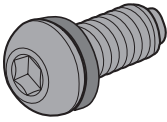
EX4	EX6	
1	1	
1	1	
		C
1	1	
1	1	
1	1	
		D
2	2	
2	2	

EX4	EX6	
		E
4	6	
1	1	
1	1	
1	1	
1	1	
1	1	

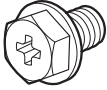
EX4	EX6	
		F
2	2	
2	2	
		G
1	1	
		H
1	1	

B

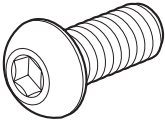
14



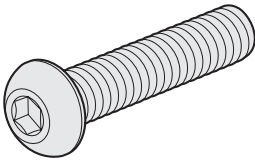
2



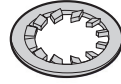
4



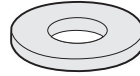
2



2



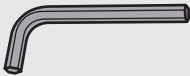
2



2



TOOLS INCLUDED:

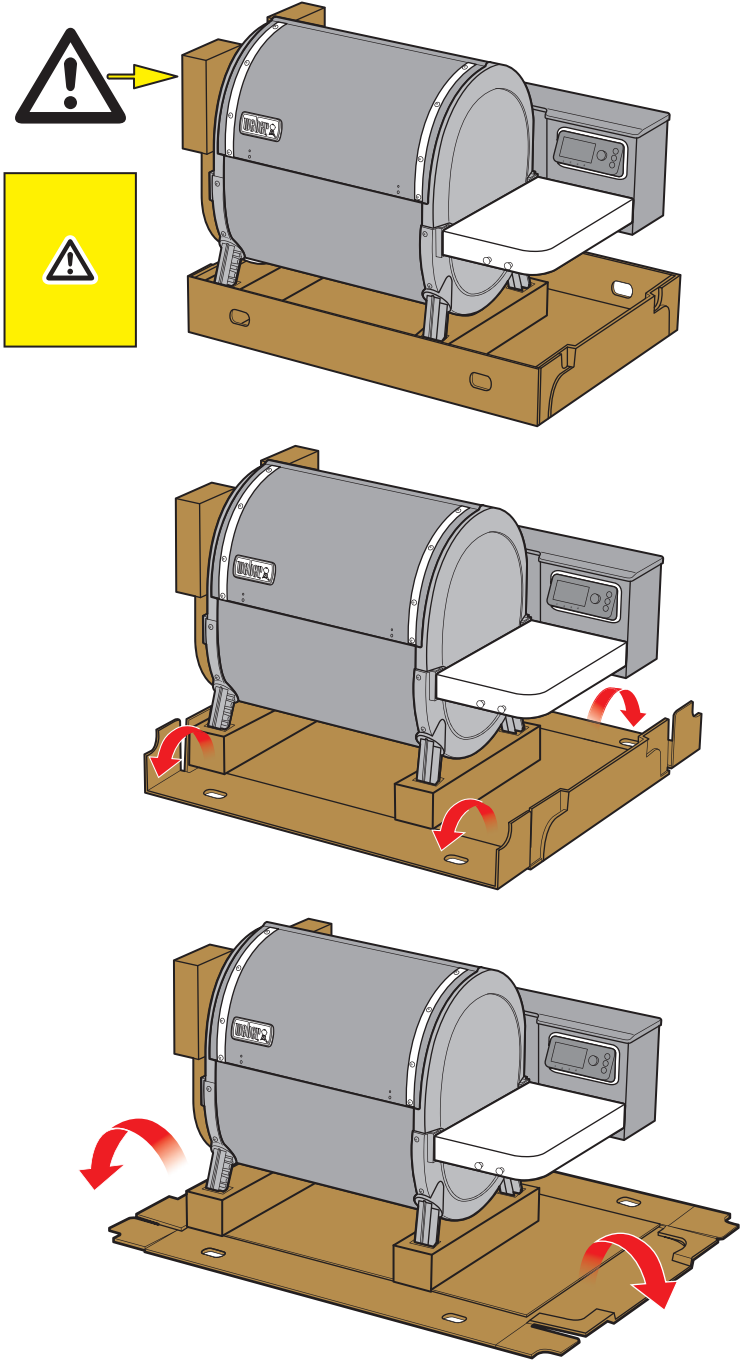


TOOLS REQUIRED:

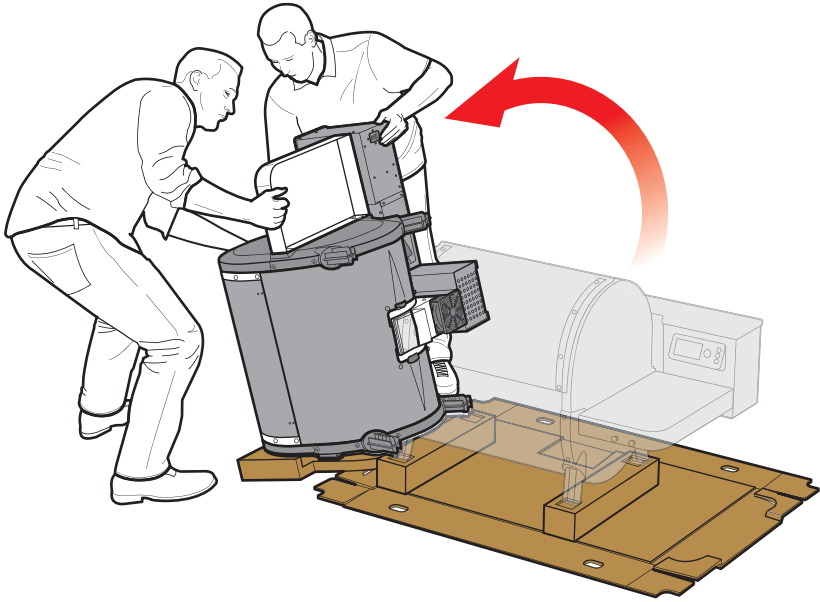


• Download the free BILT app for step-by-step 3D instructions.

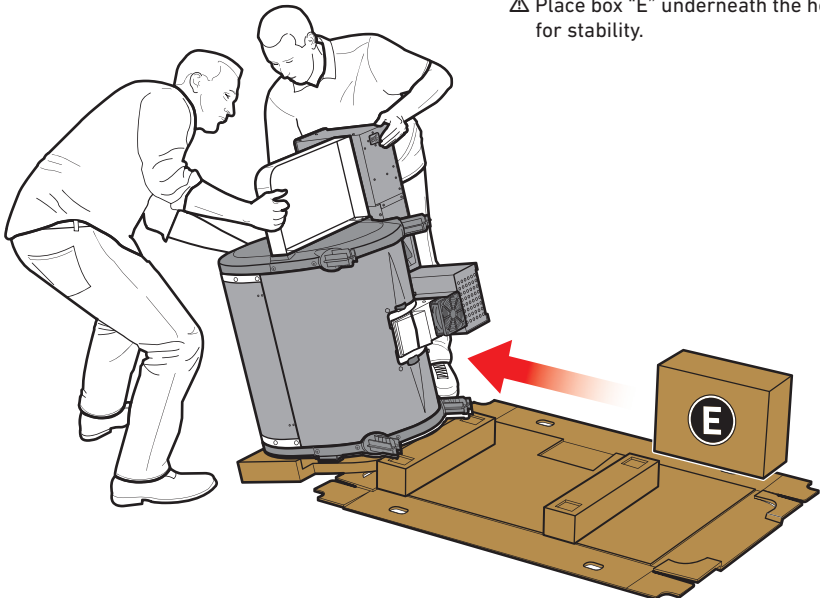
1

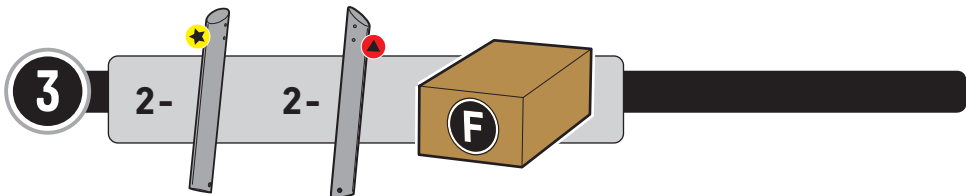


2

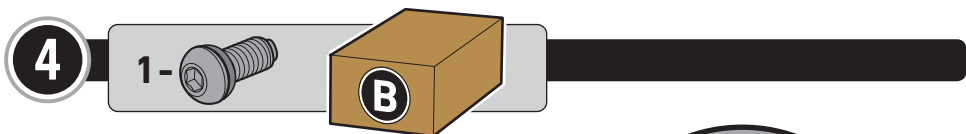
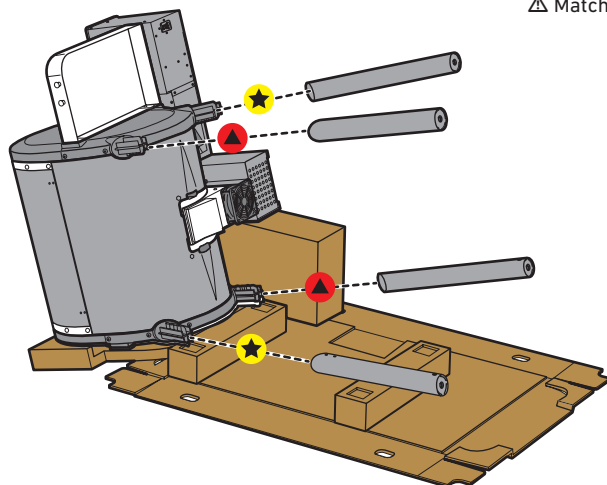


⚠ Place box "E" underneath the hopper for stability.

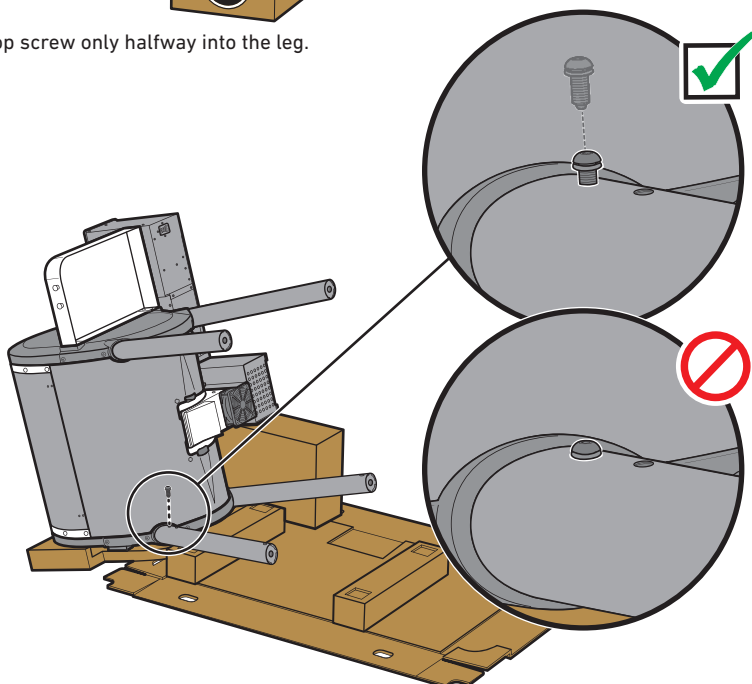




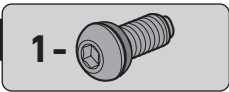
⚠ Match stickers for proper leg installation.



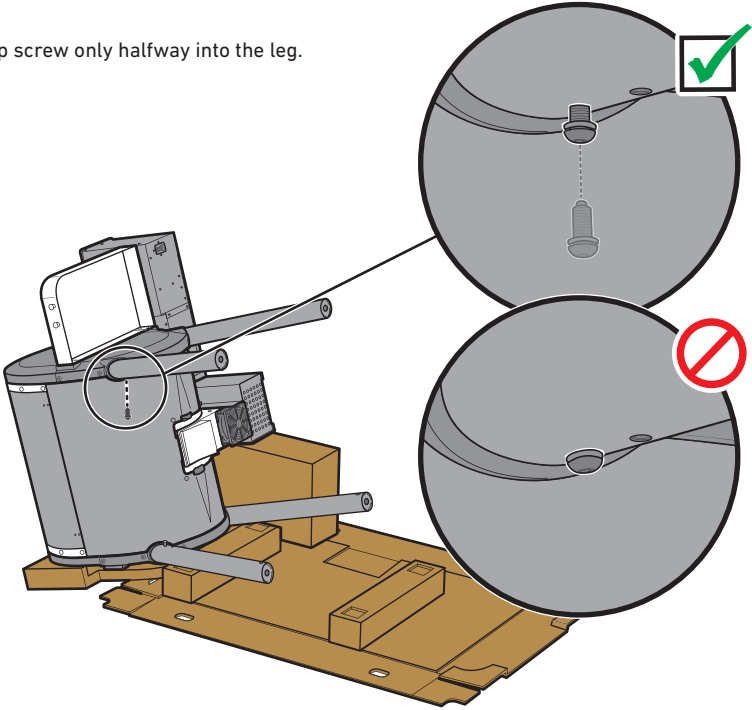
⚠ Install top screw only halfway into the leg.



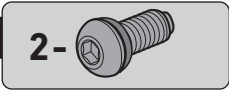
5



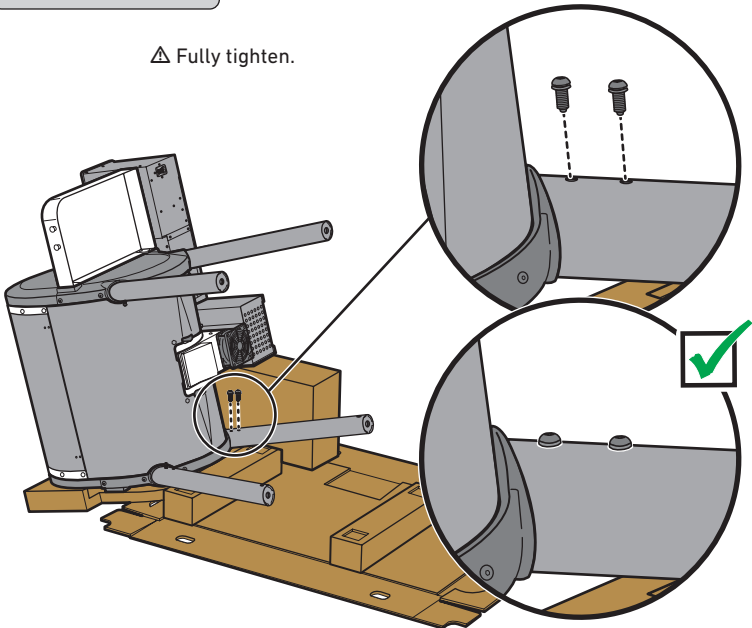
⚠ Install top screw only halfway into the leg.



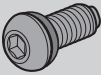
6



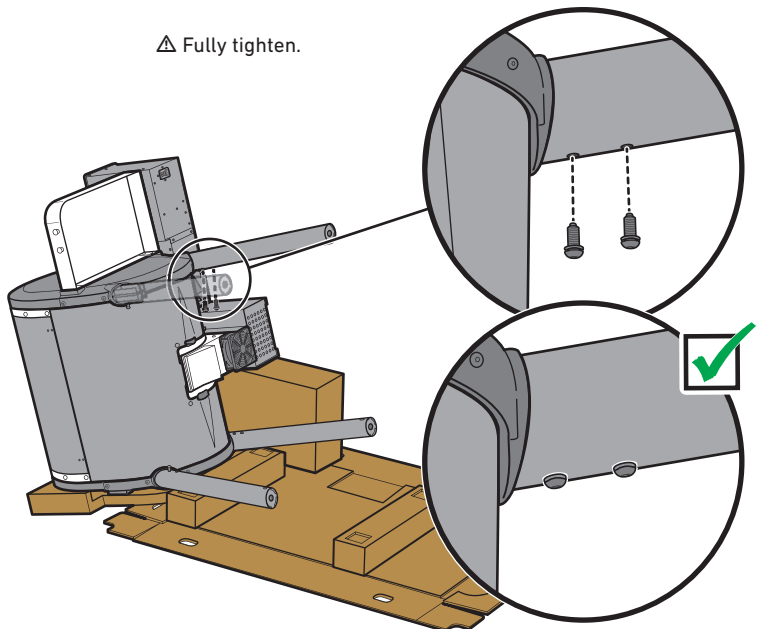
⚠ Fully tighten.




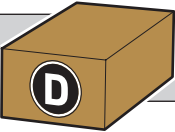
7

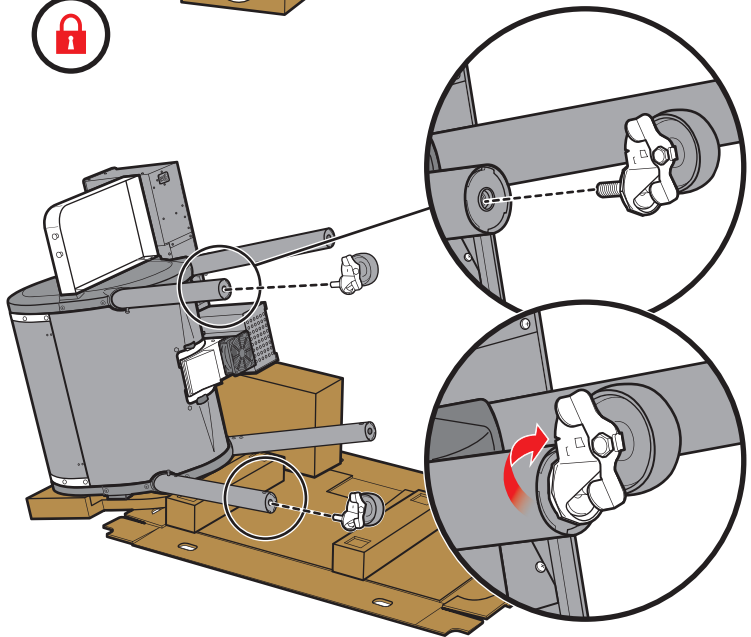
2- 

△ Fully tighten.



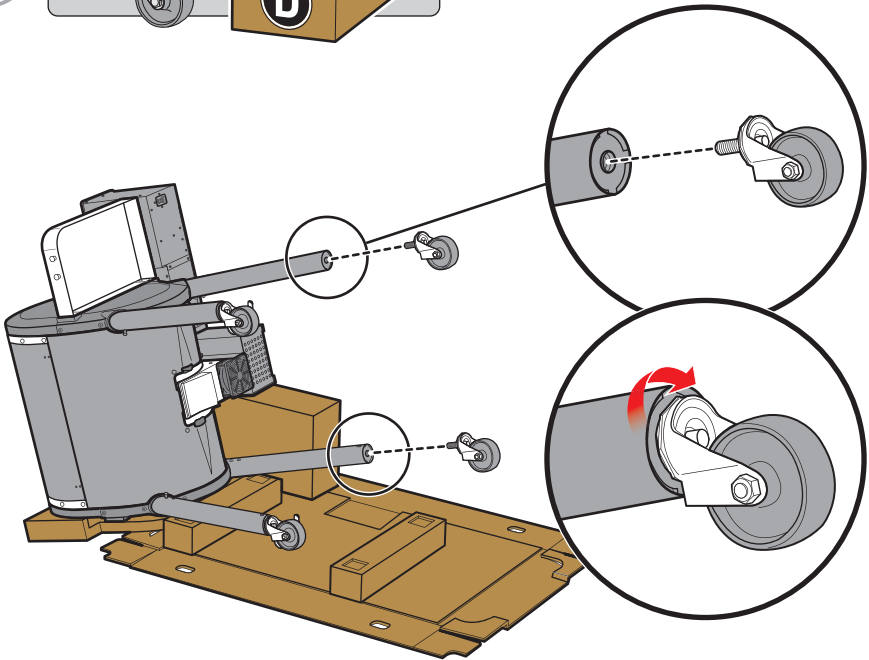
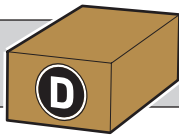
8

2-  



9

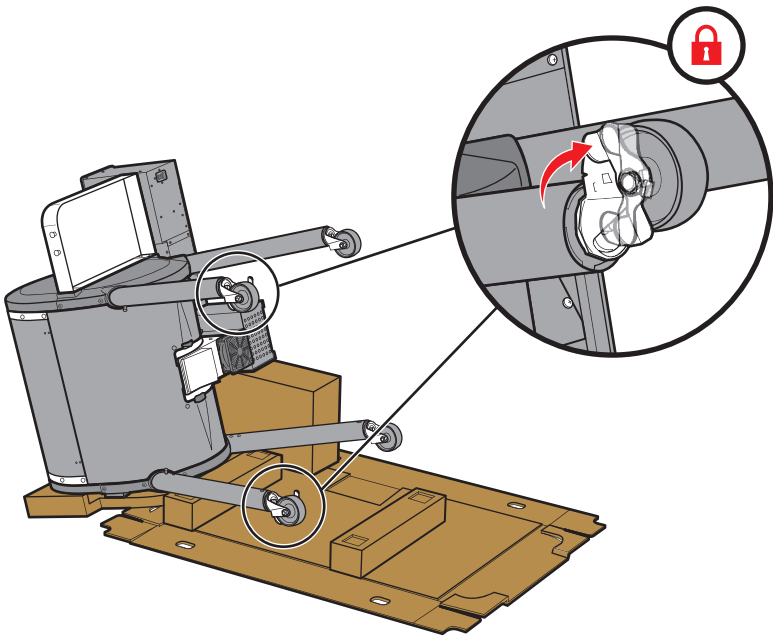
2-



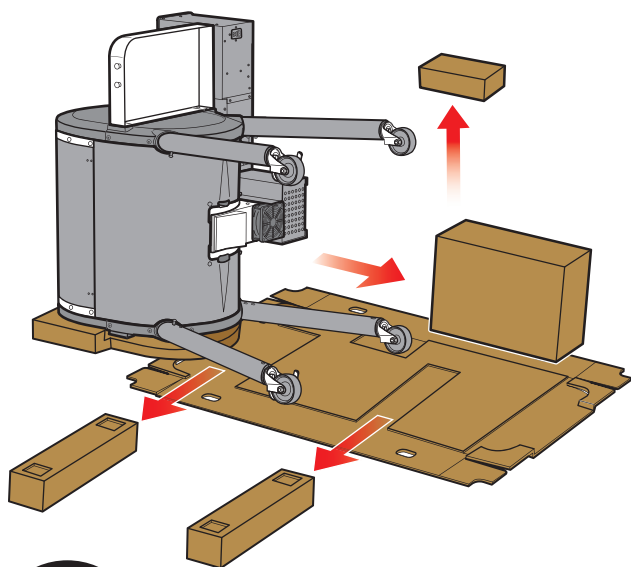
10



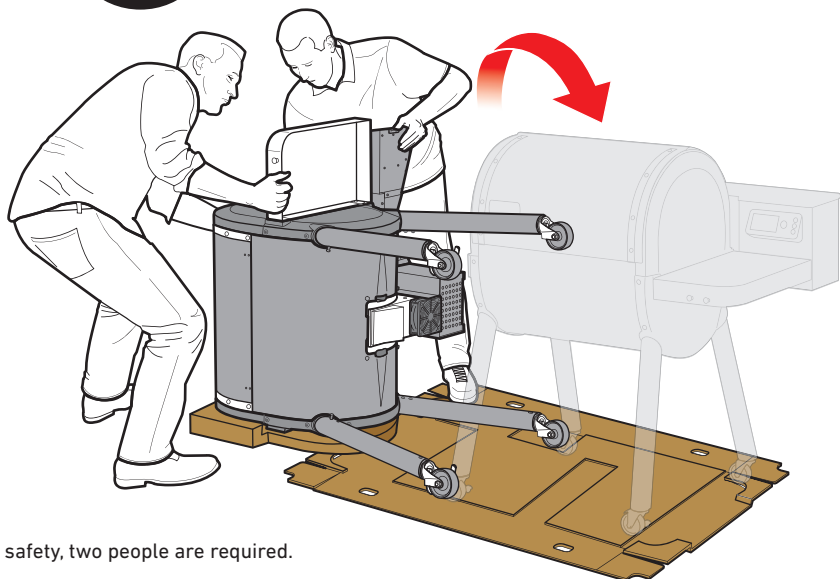
ON



11

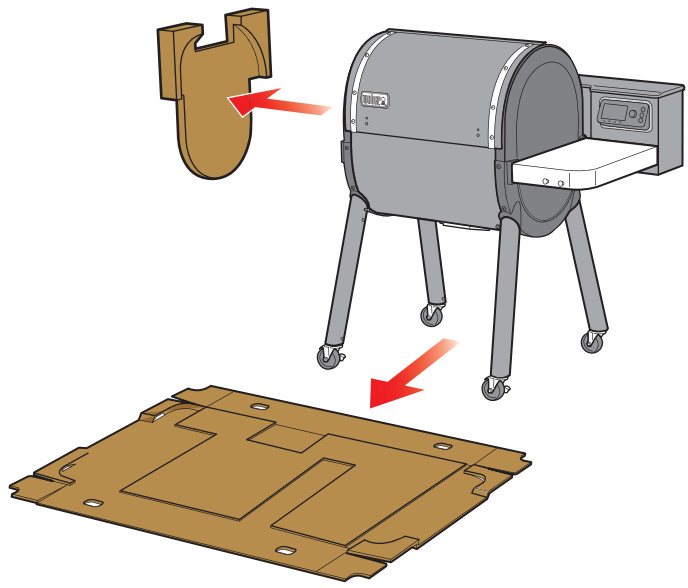


12

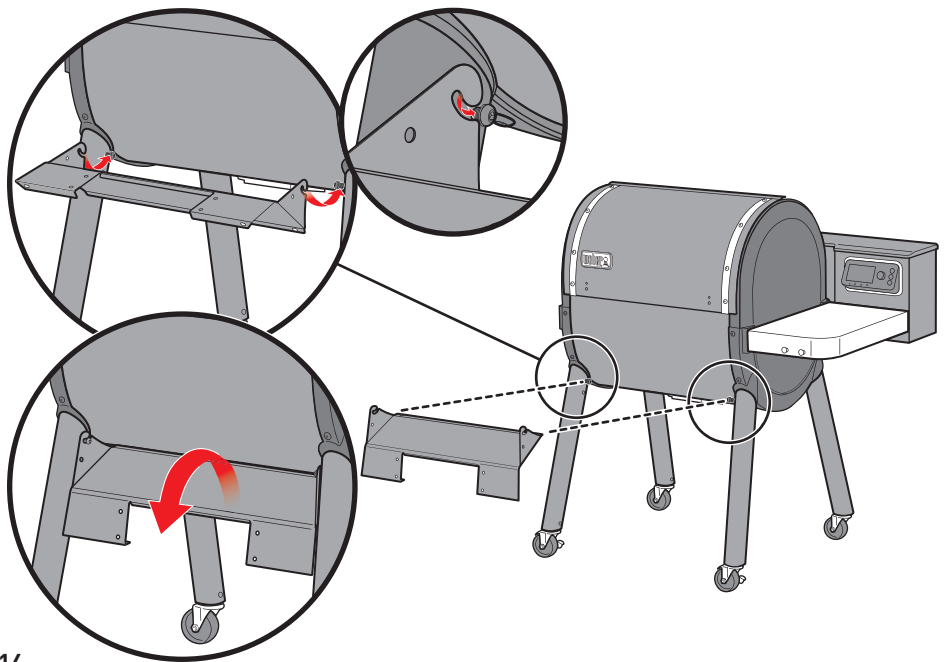
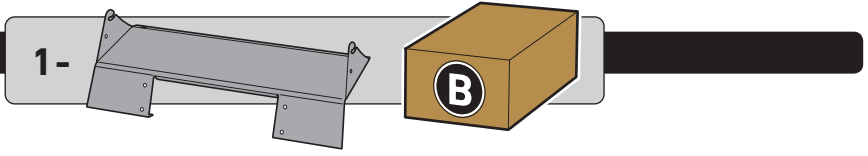


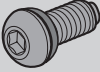
△ For safety, two people are required.

13

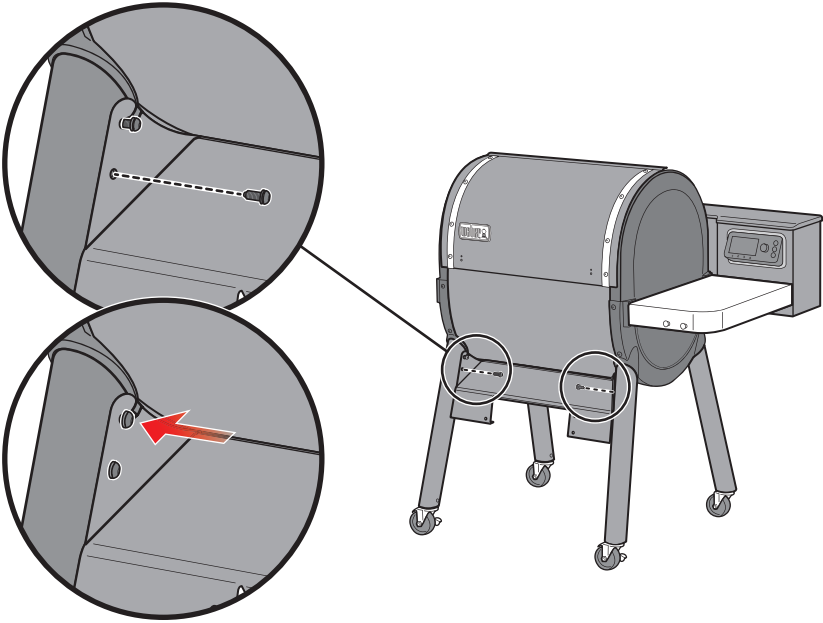
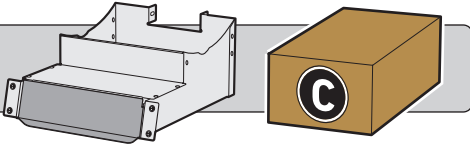


14

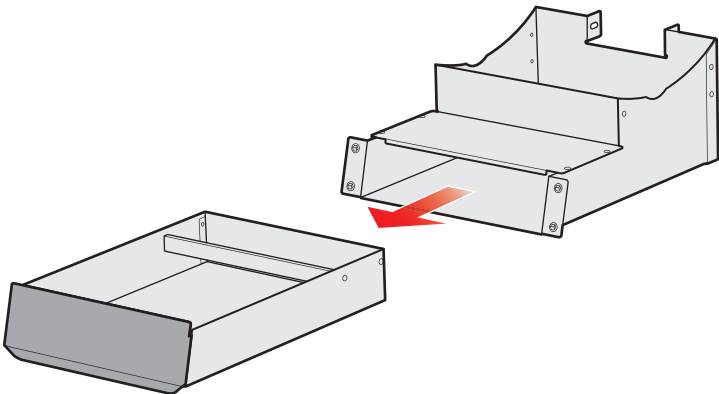


15**2-**

Tighten hardware until it is secure.
⚠ DO NOT OVERTIGHTEN HARDWARE.

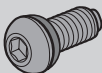
**16****1-**

⚠ Remove ash and grease drawer before installing housing.

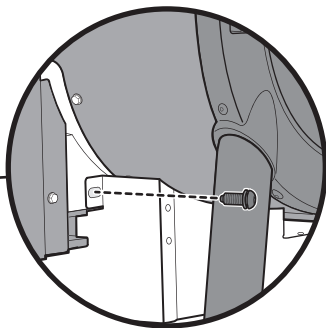
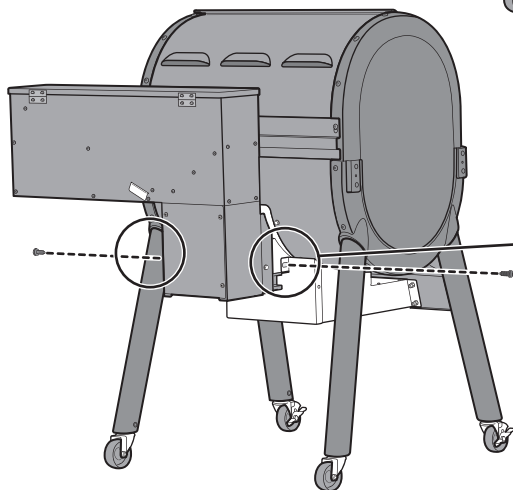
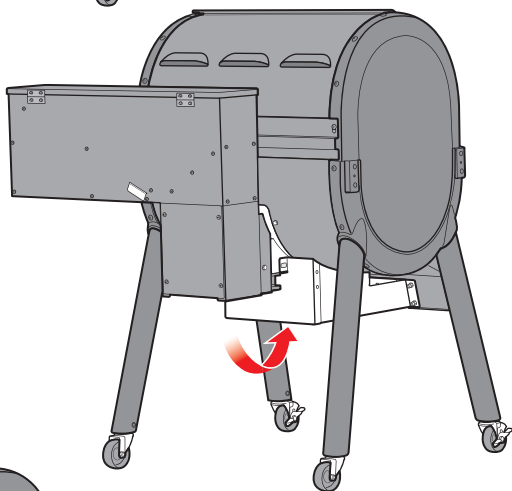
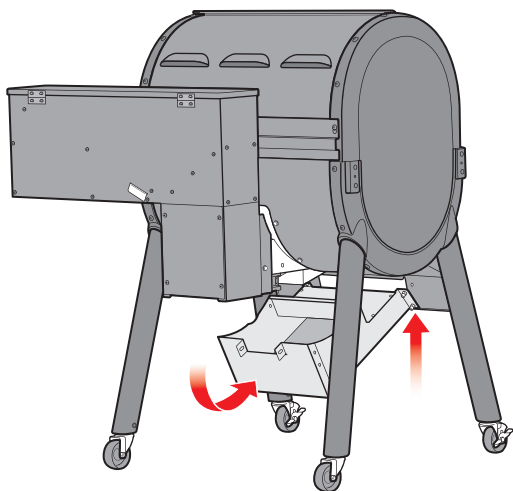
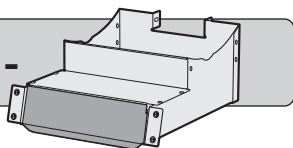


17

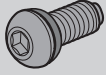
2-

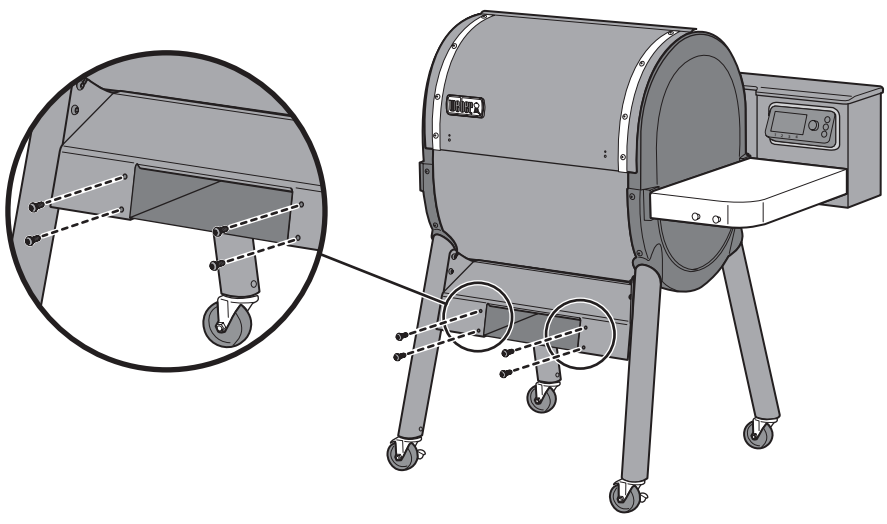


1-

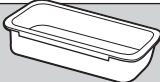
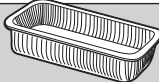
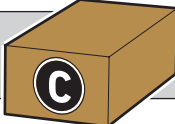


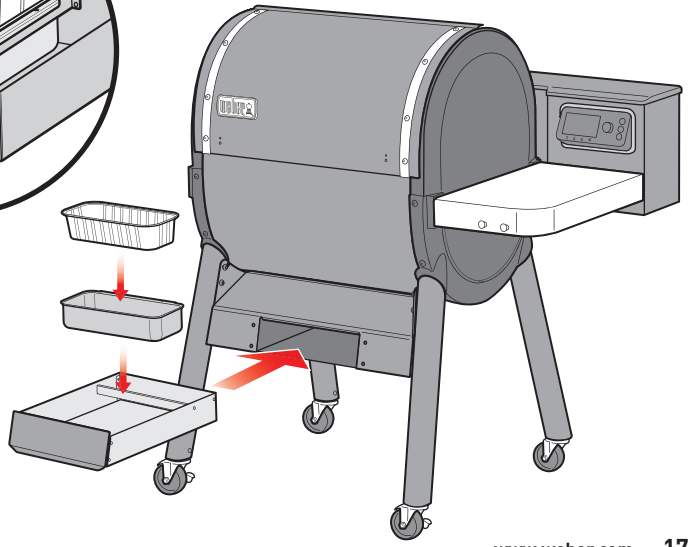
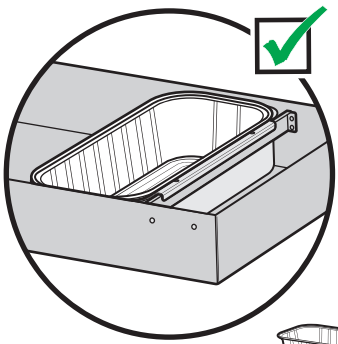
18

4- 



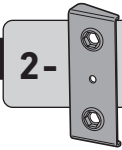
19

1-  1-  

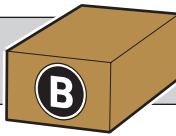
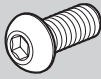


20

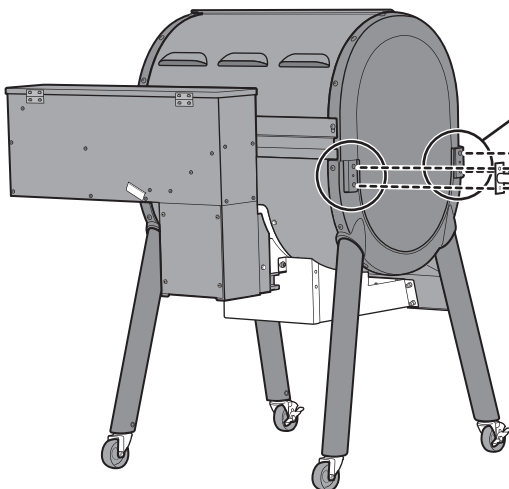
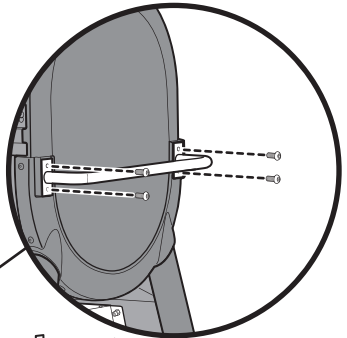
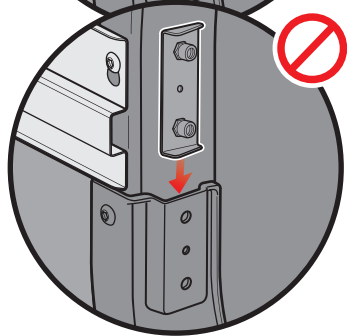
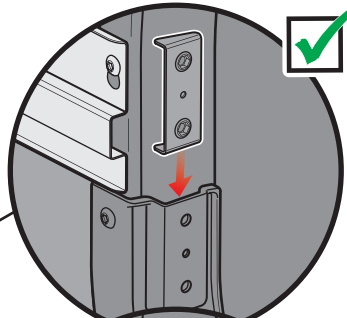
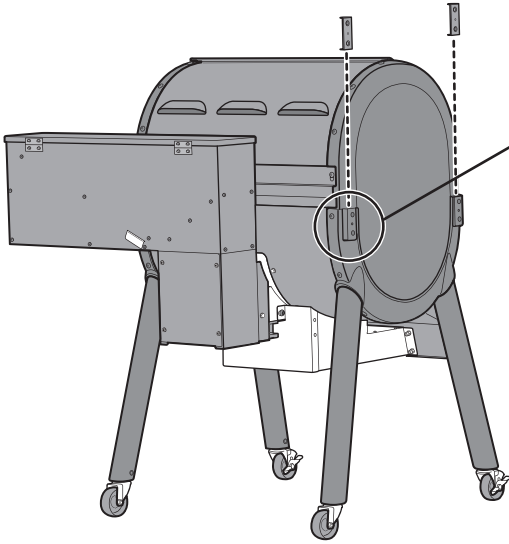
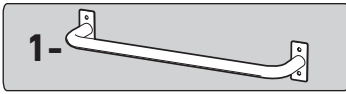
2-

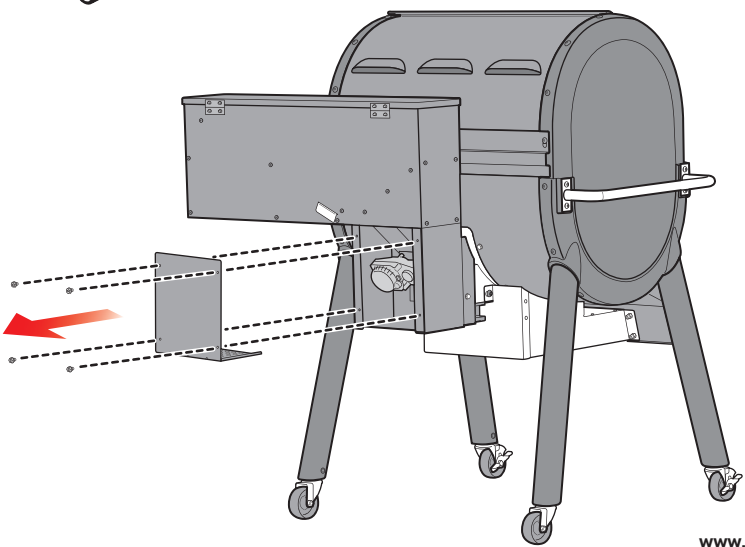
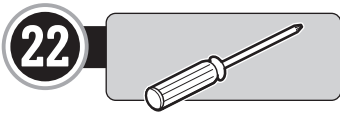
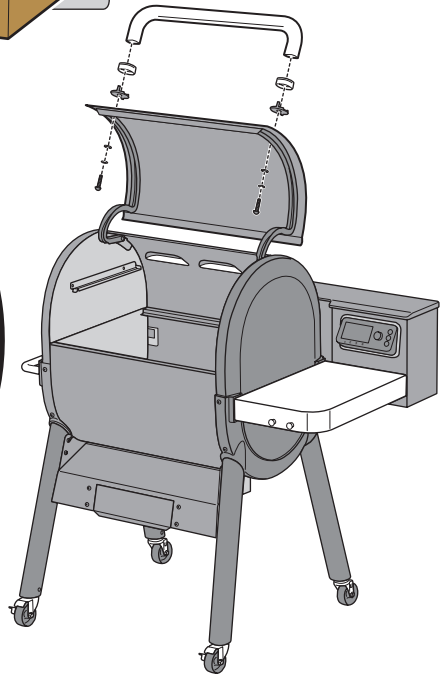
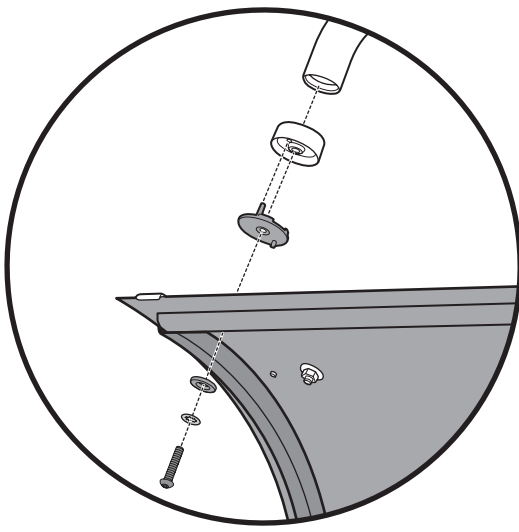
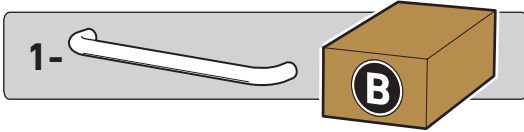
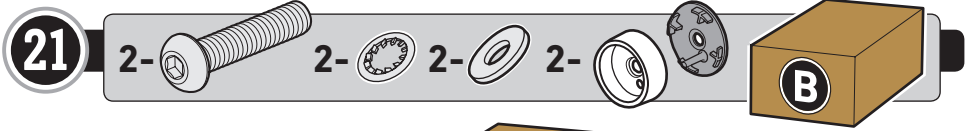


4-

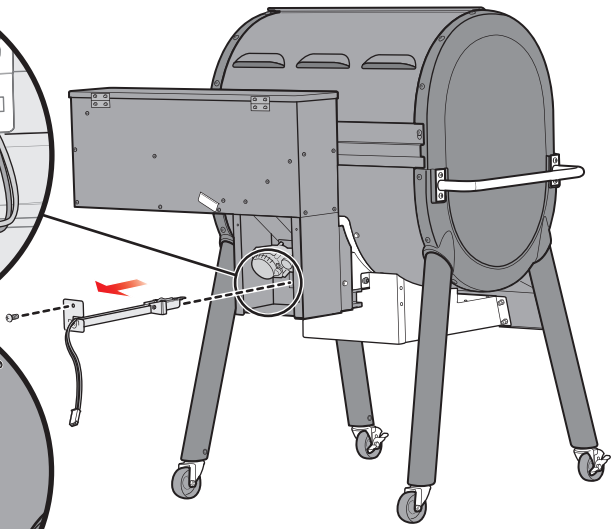
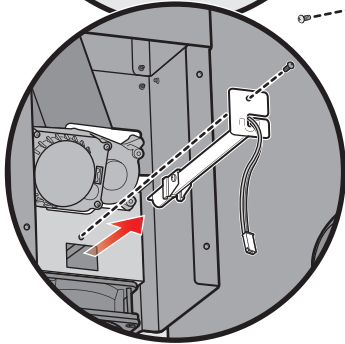
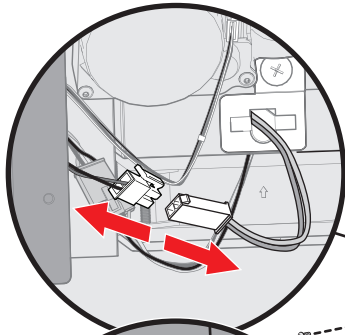
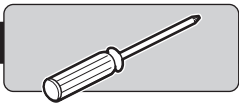


1-

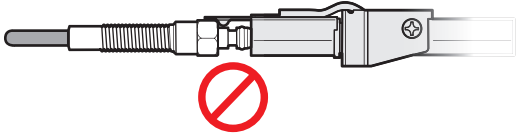
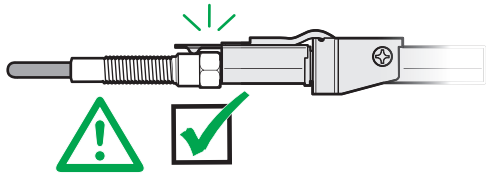
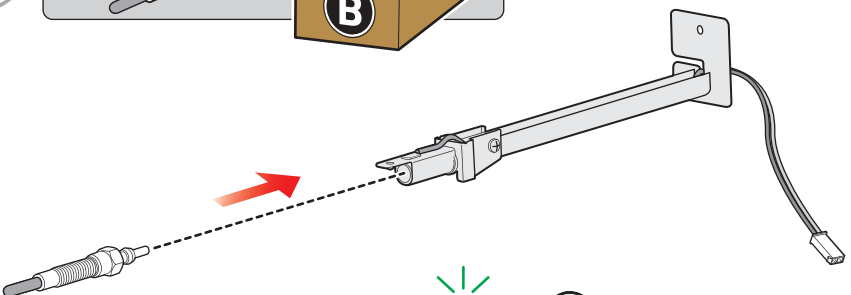
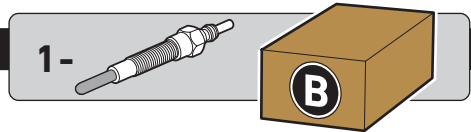




23

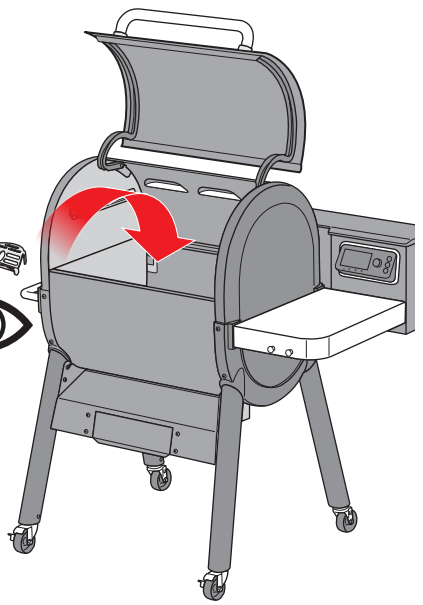
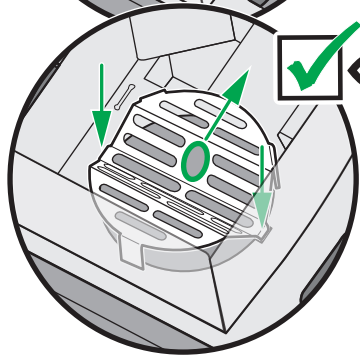
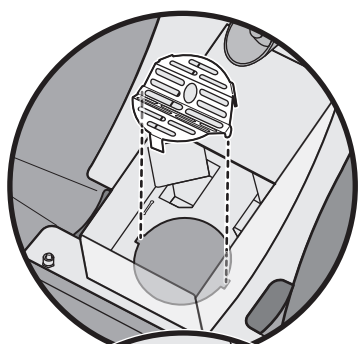
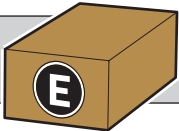
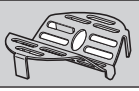


24



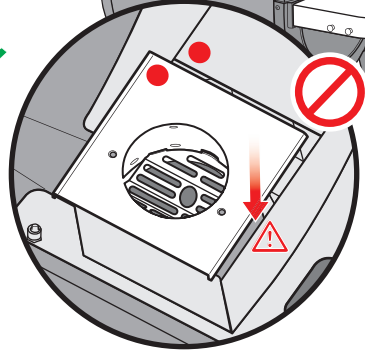
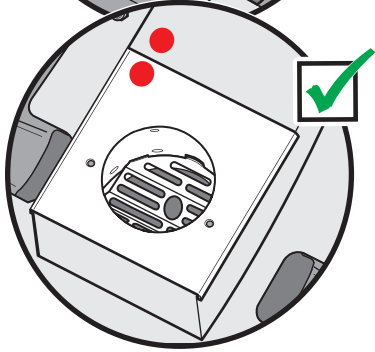
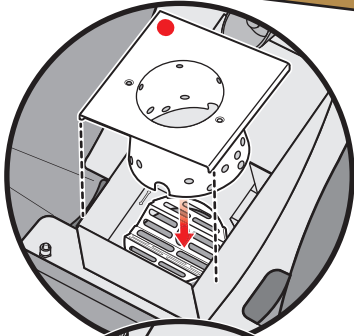
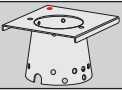
25

1-

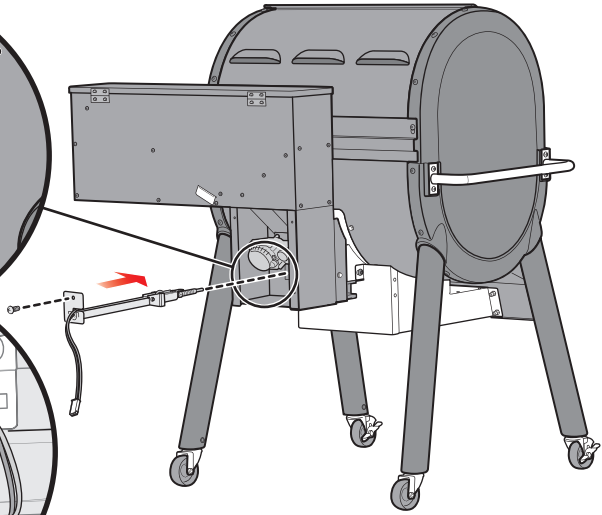
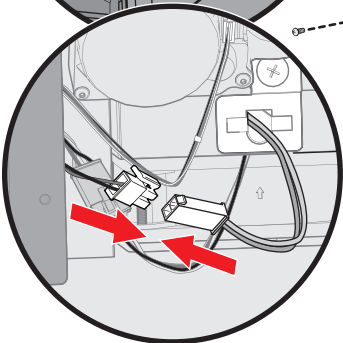
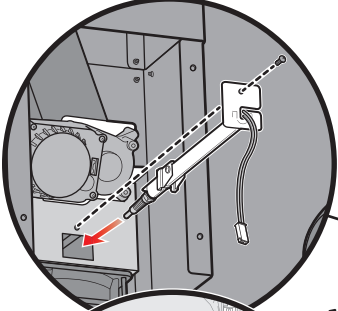


26

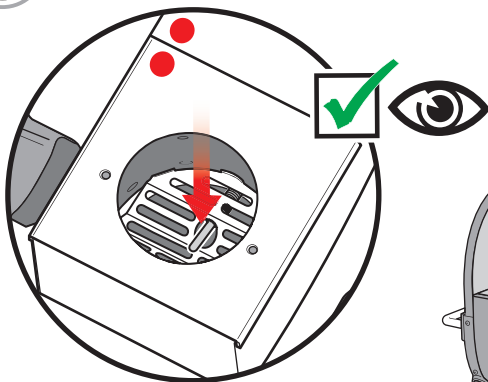
1-



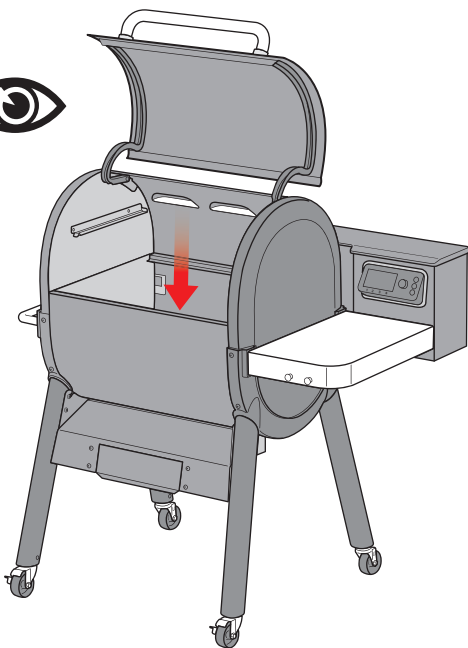
27



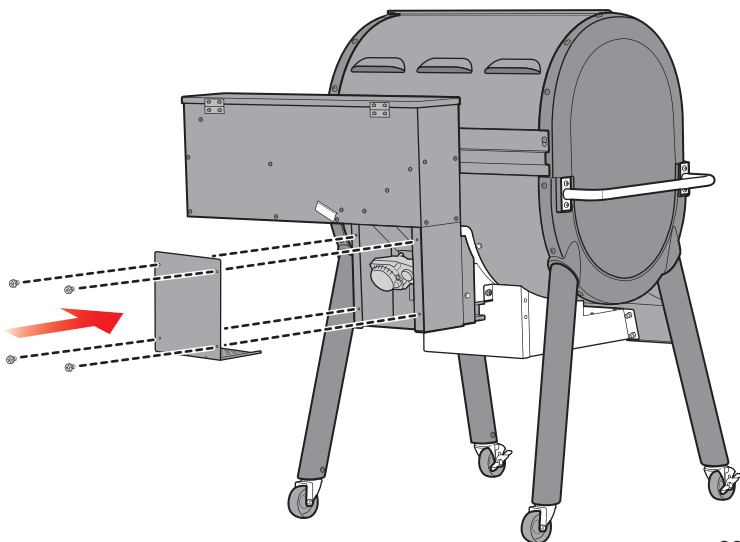
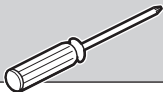
28

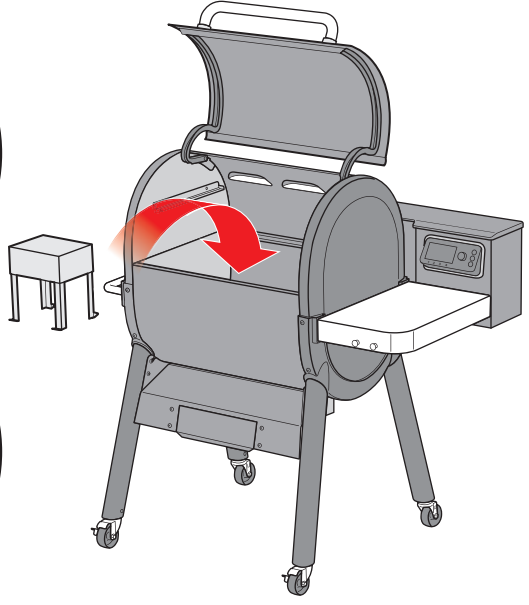
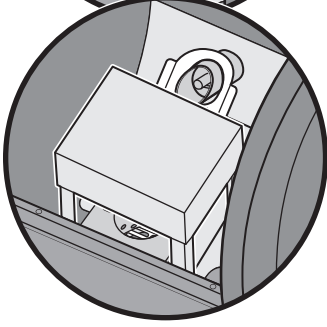
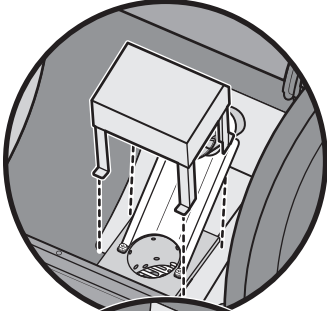
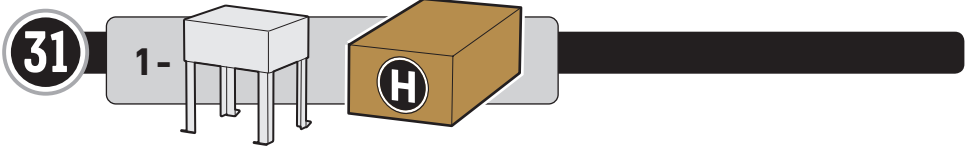
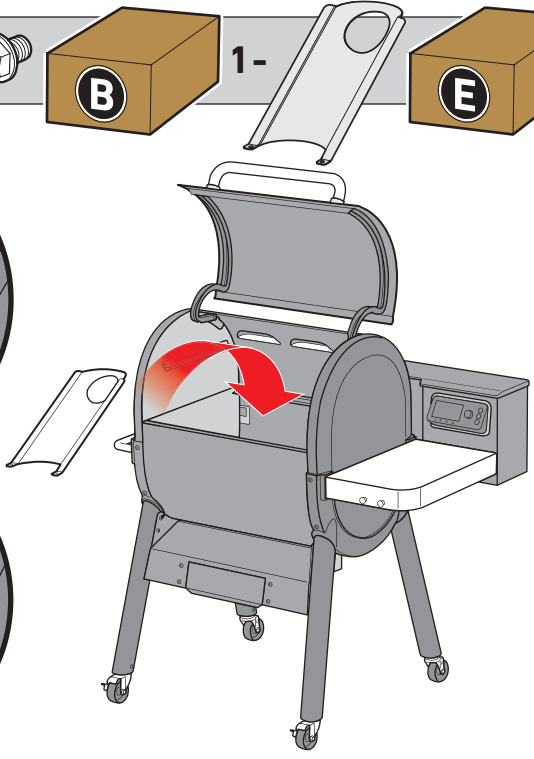
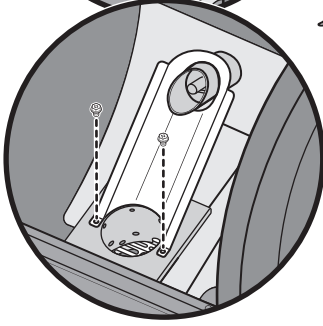
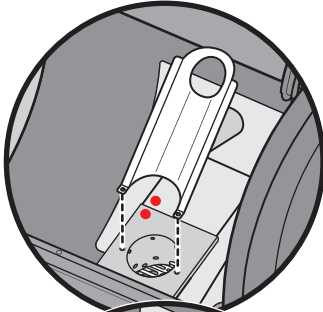
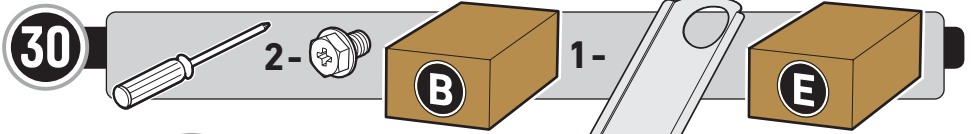


△ Ensure the tip of the glow plug is through the opening in the pellet grate.



29

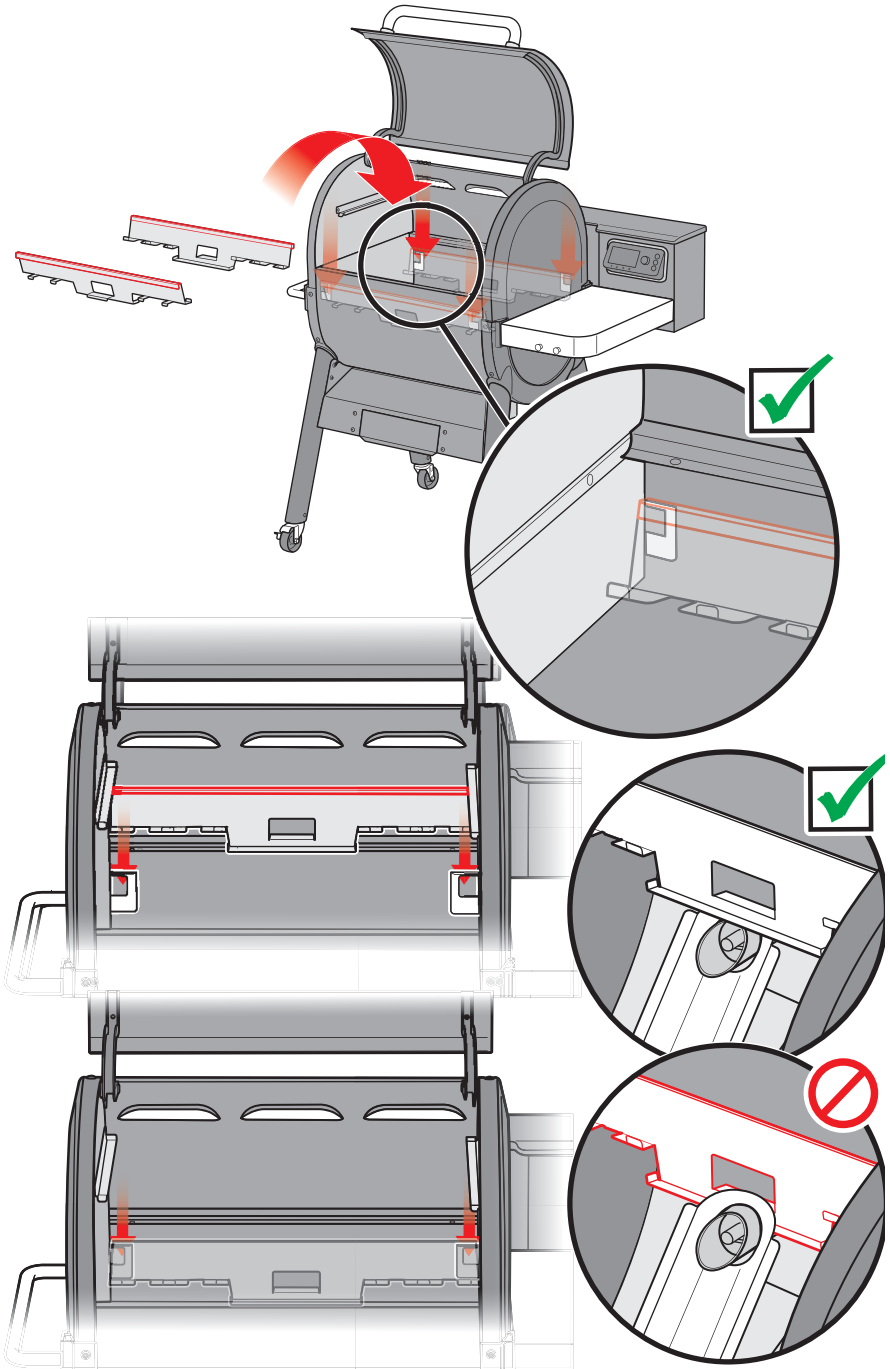




32

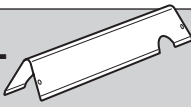
2-

B

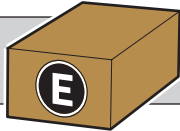
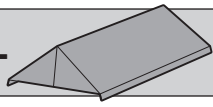


33

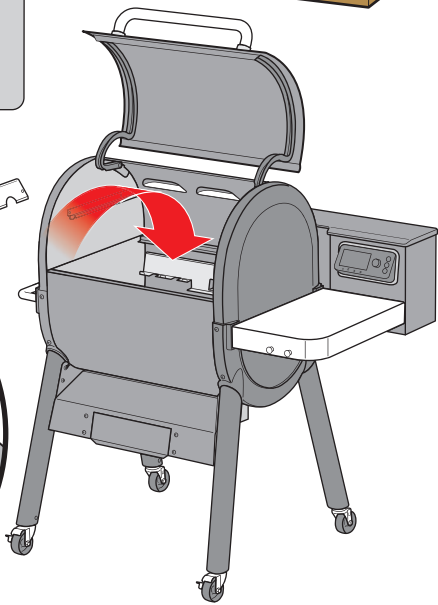
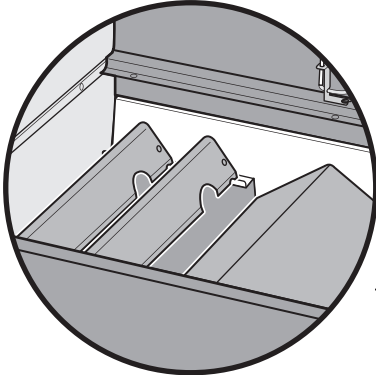
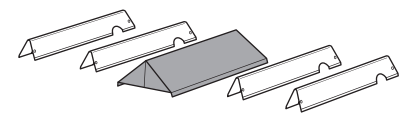
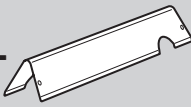
EX4- 4-



1-

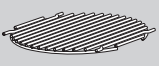


EX6- 6-

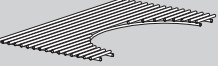


34

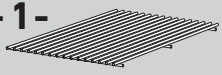
1-



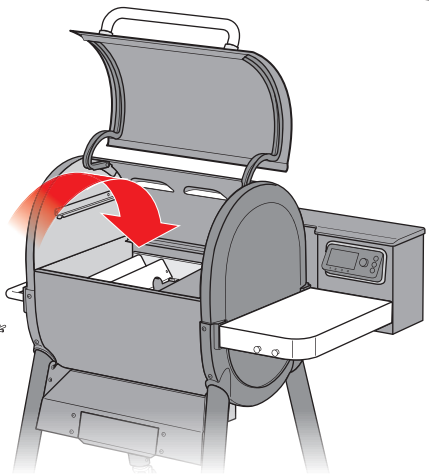
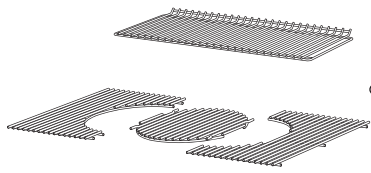
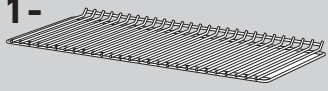
2-



EX6- 1-



1-



⚠ Make sure all parts are assembled and all hardware is tightened before operating your barbecue.

⚠ Remove all packaging materials and protective film before operating your barbecue.



WEBER-STEPHEN PRODUCTS LLC
www.weber.com

© 2020 Designed and engineered by Weber-Stephen Products LLC,
1415 S. Roselle Road, Palatine, Illinois 60067 USA.