

GENESIS II



NG

E-355 GRIDDLE • E-455 GRIDDLE

S-355 GRIDDLE • S-455 GRIDDLE



ASSEMBLY GUIDE

Before you begin



Enhance your assembly experience.

Download the free BILT™ app for
3D step-by-step instructions.

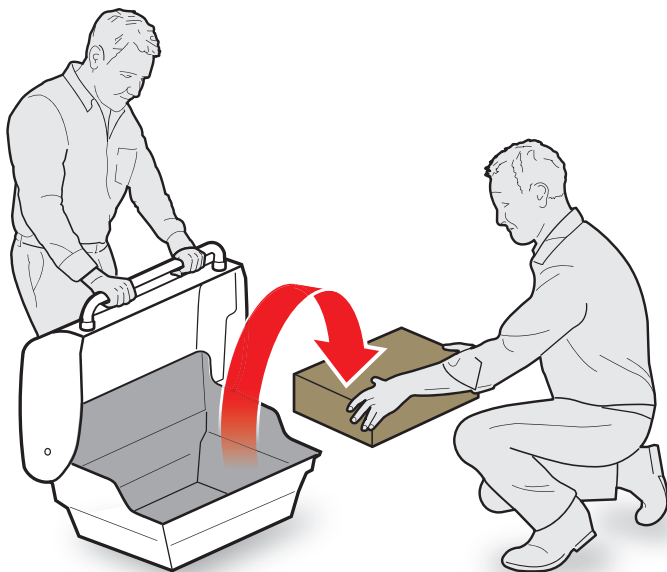
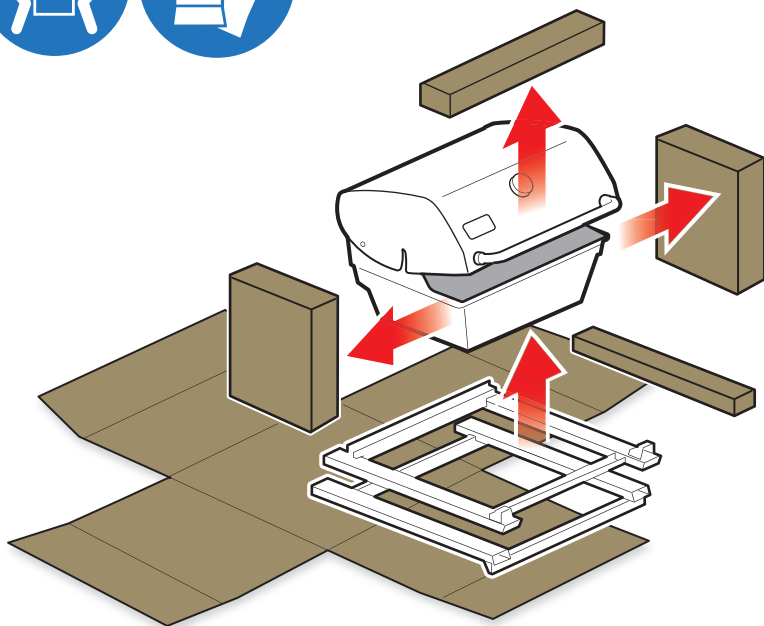
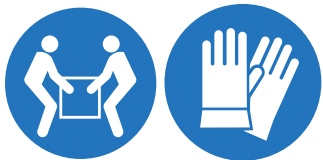


51761

060120

enAU / enNZ





- ⚠ Assemble grill on a flat, level, and soft surface.
- ⚠ Remove protective film from stainless steel parts before installing.
- ⚠ Do not use power tools for assembly.
- ⚠ Two people required for assembly.
- ⚠ There may be visual differences between illustrations and model purchased.
- ⚠ Always keep lid closed when assembling or moving your grill.

TOOLS INCLUDED:



TOOLS REQUIRED:

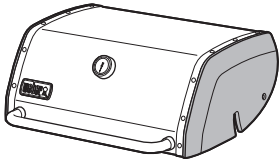


355

455

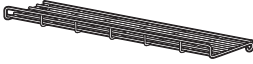
1

1



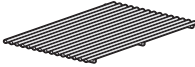
1

1



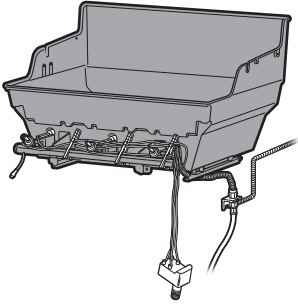
2

3



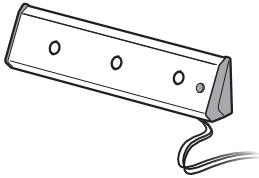
1

1



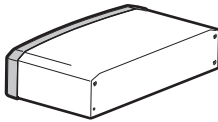
1

1



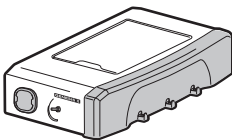
1

1



1

1

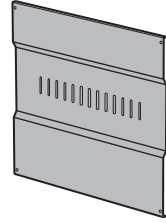


355

455

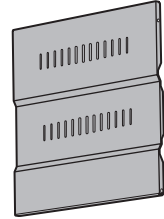
1

1



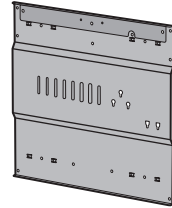
1

1



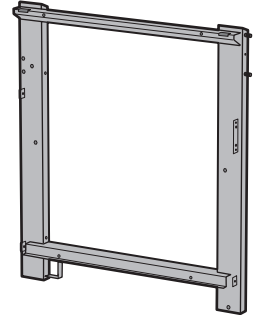
1

1



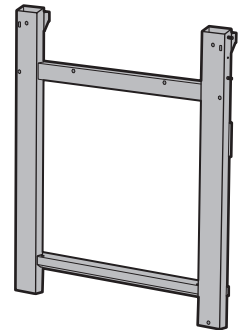
1

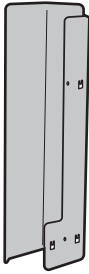
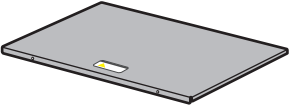
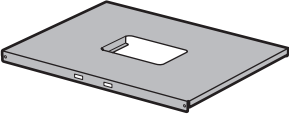

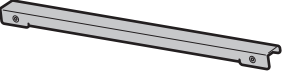
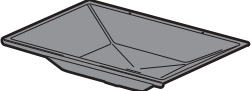

1








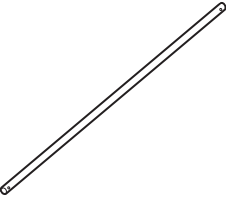
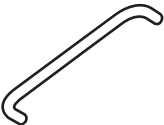




1

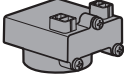
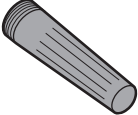
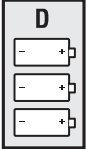
1

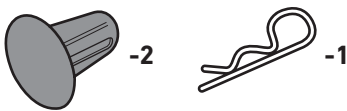
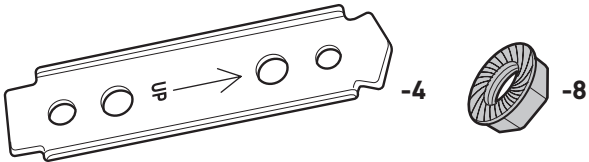
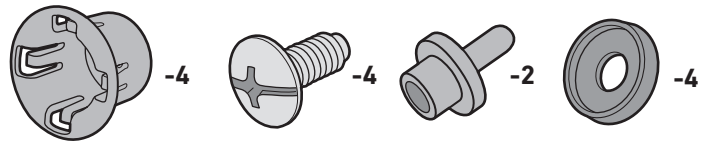
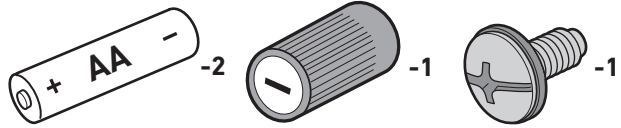
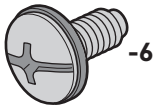
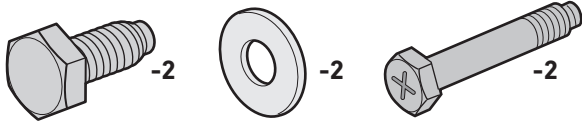
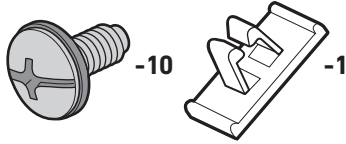
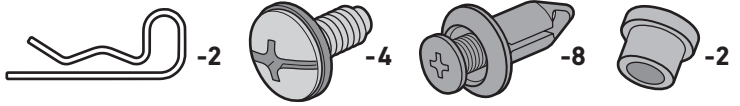


355	455	
1	1	
1	1	
1	1	
1	1	
1	1	
1	1	
2	2	

355	455	
1	1	
1	1	
2	2	
2	2	
3	4	

355	455	
1	1	
2	2	
5	7	
3	4	
1	1	
1	1	

355	455	
1	1	
1	1	 



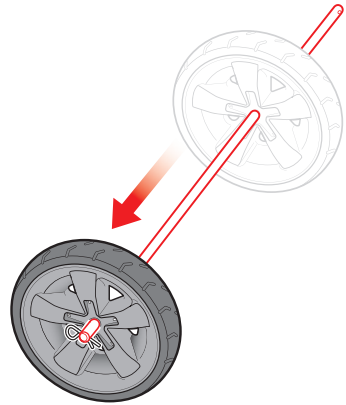
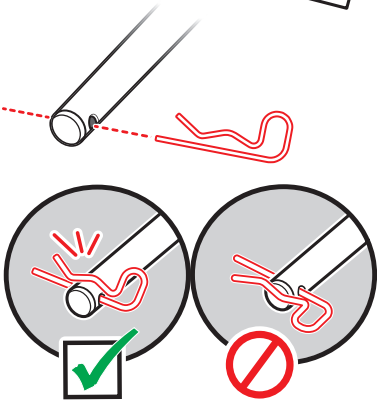
1

BILT.

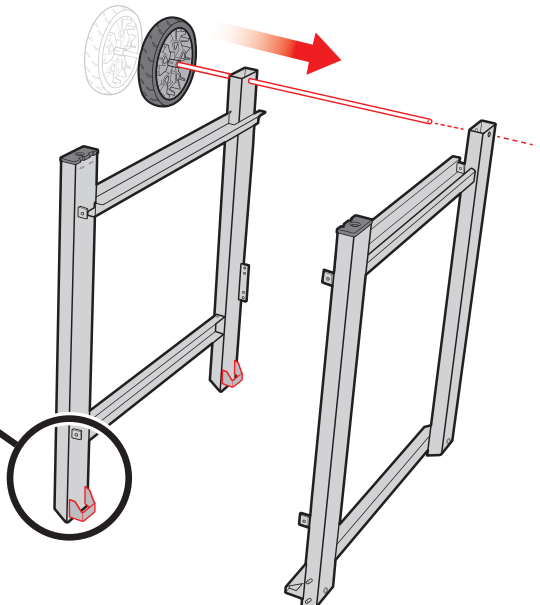
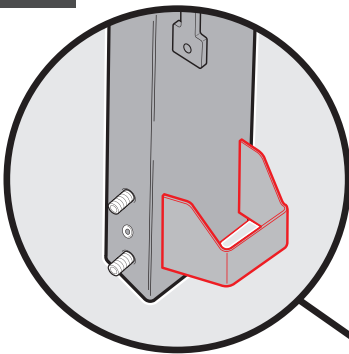
• Download the free BILT™ app for 3D step-by-step instructions.

2

-1

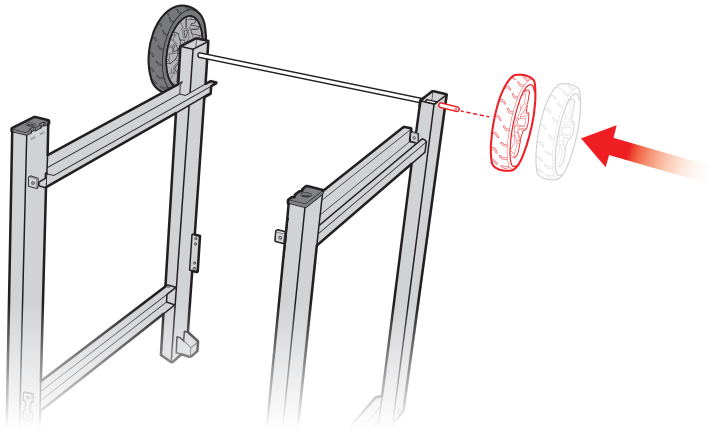


3

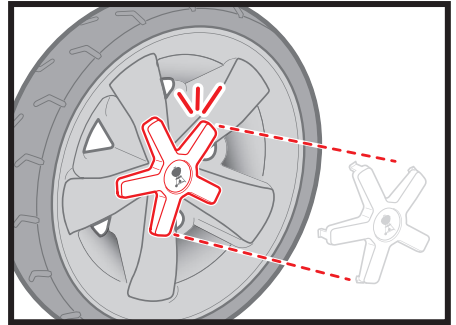
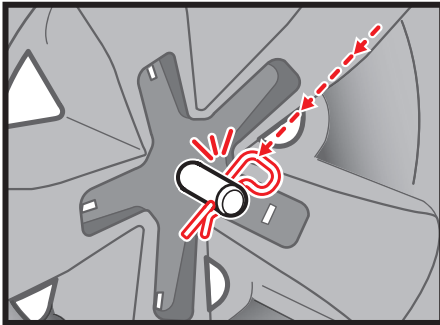
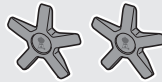
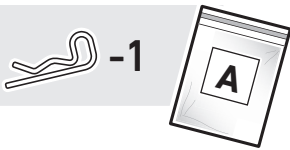


⚠ Remove all packing material and protective tape from parts before installing.

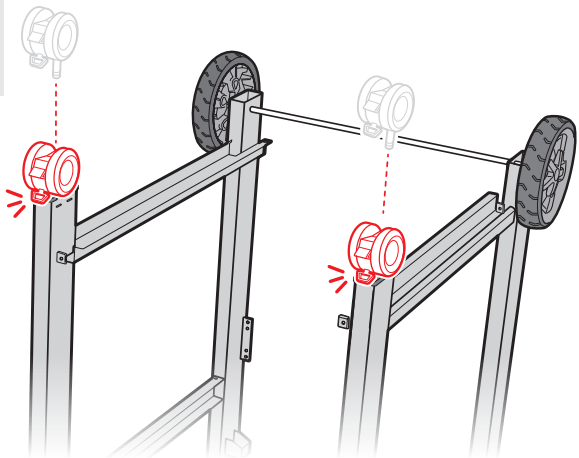
4



5



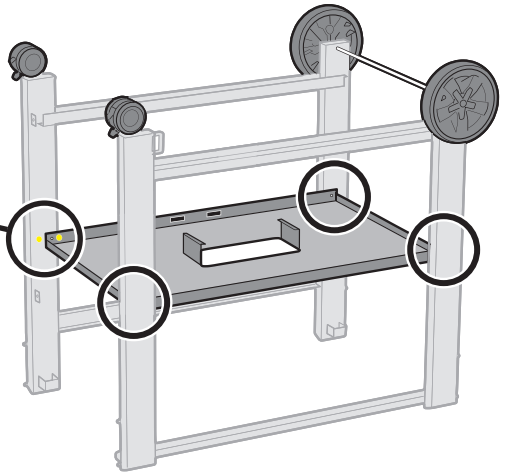
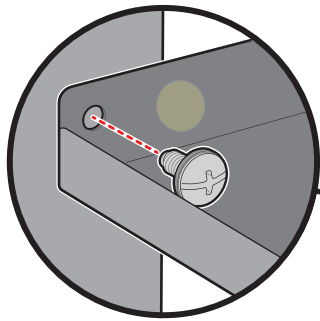
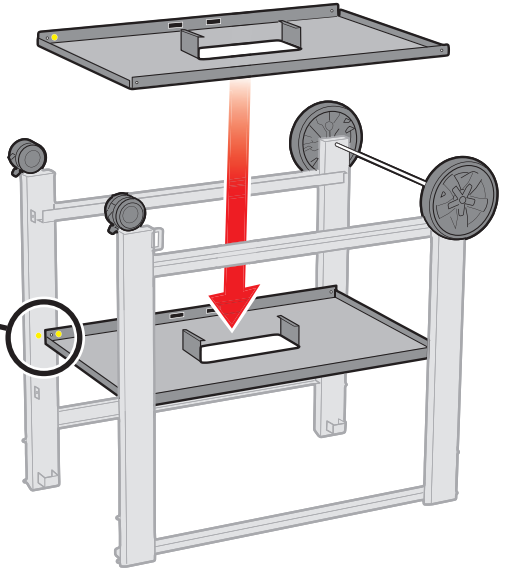
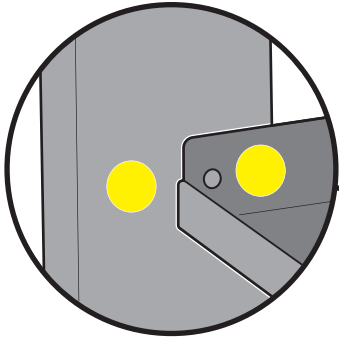
6



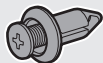
7



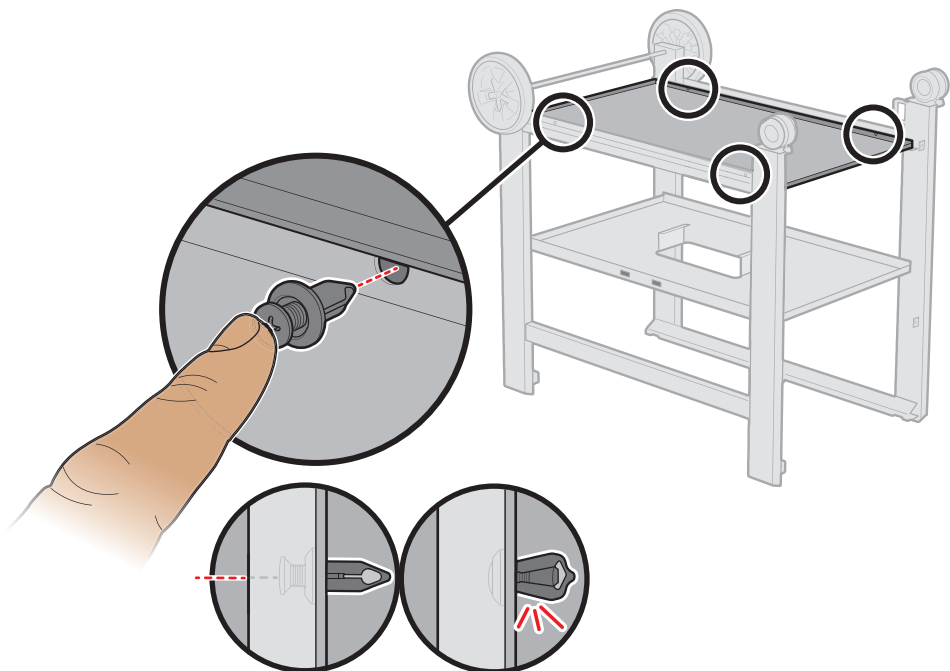
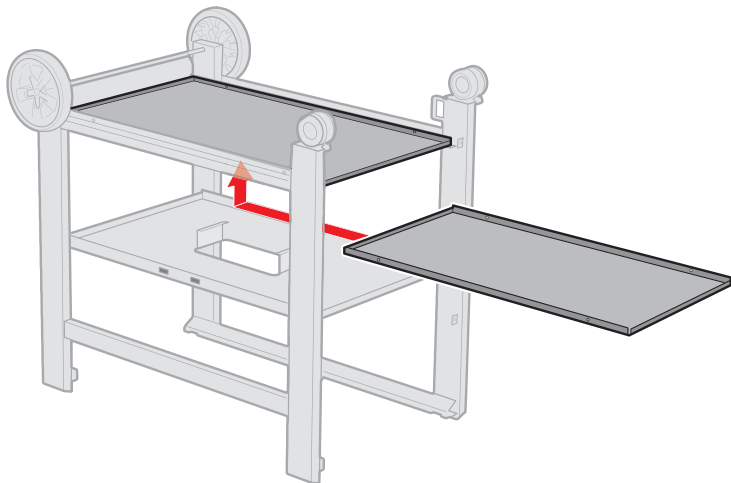
-4



8

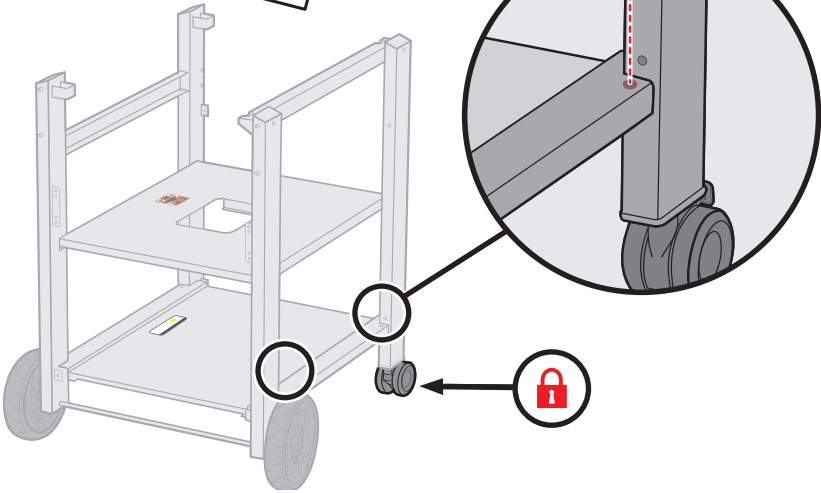


-4



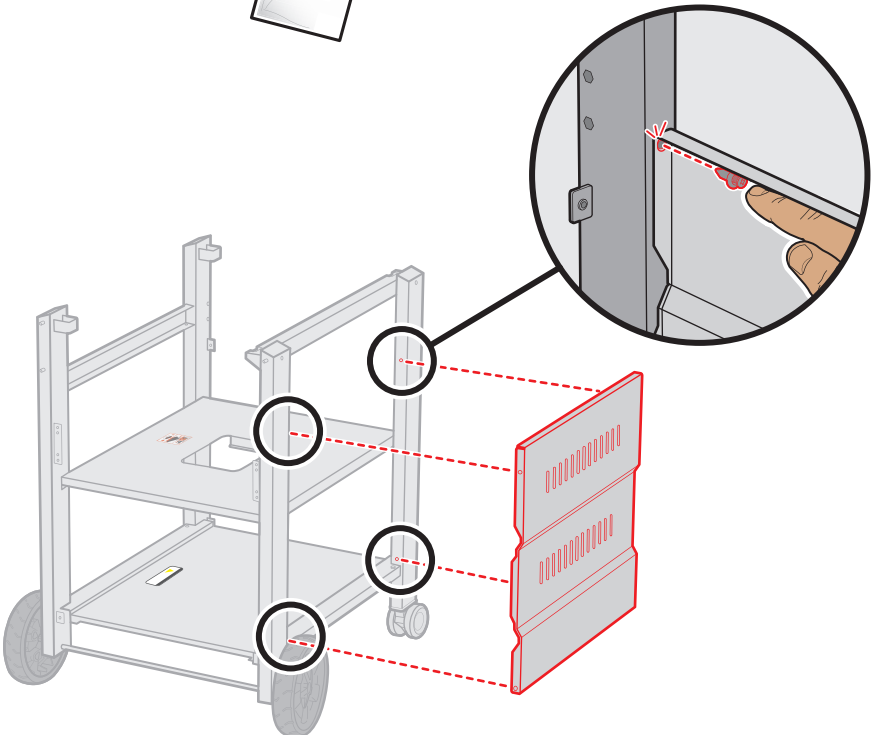
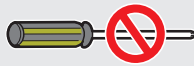
9

-2



10

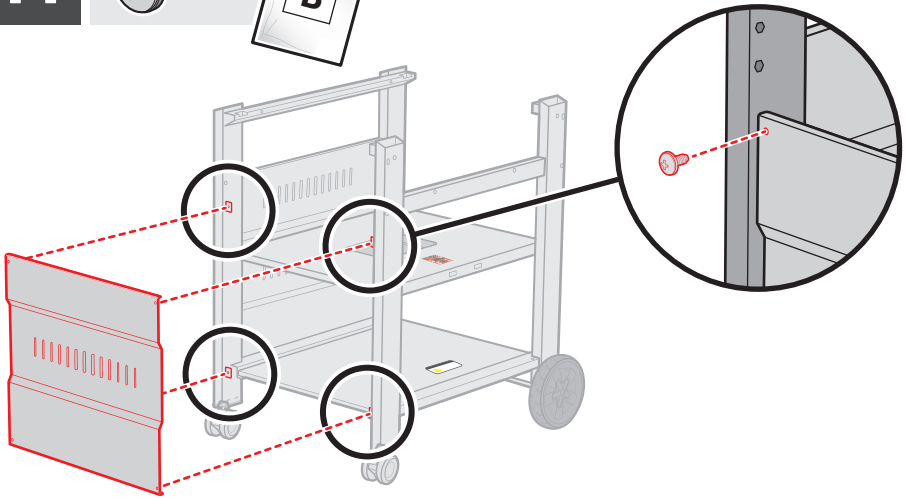
-4



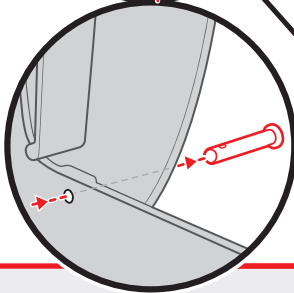
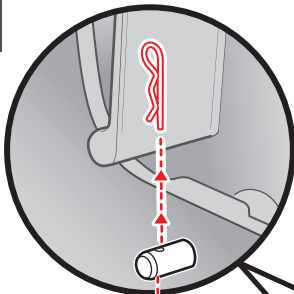
11



-4



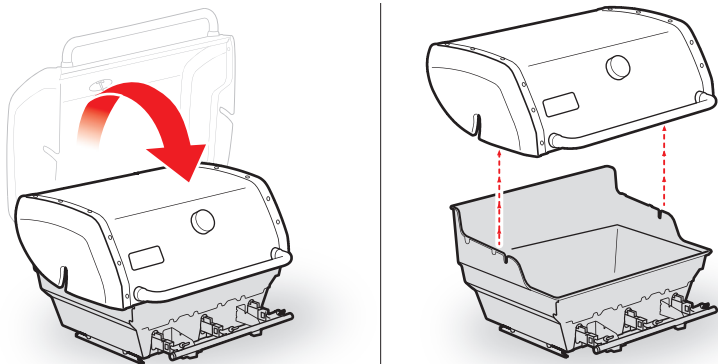
12



⚠ Save hardware.

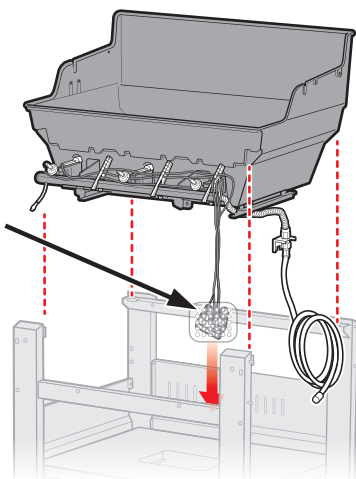


13

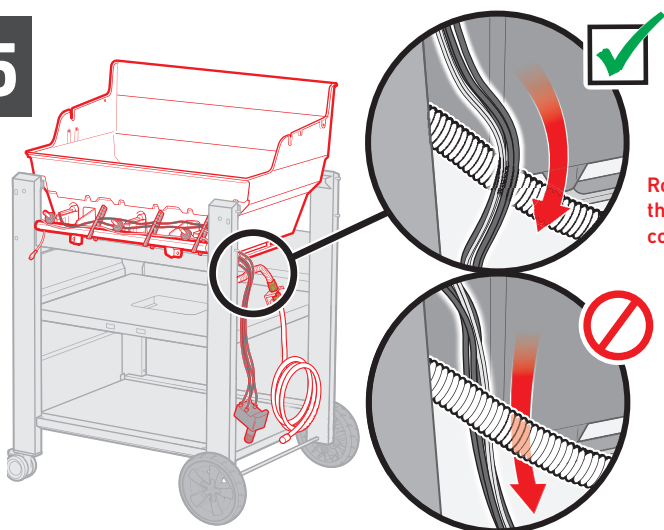


14

Wires and module must be routed to the inside of the grill frame.



15

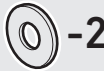


Route wires to the outside of the corrugated gas line.

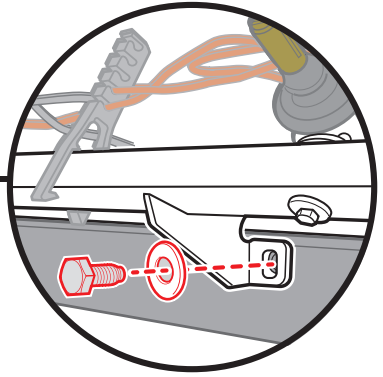
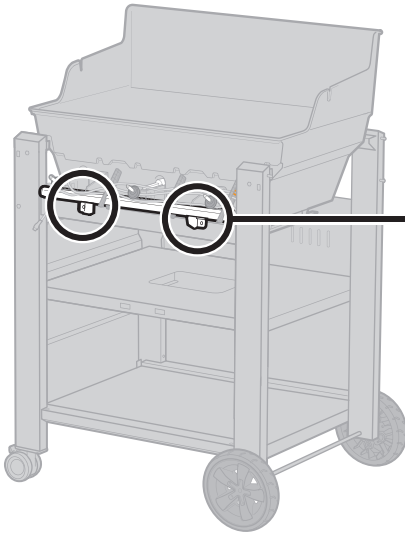
16



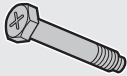
-2



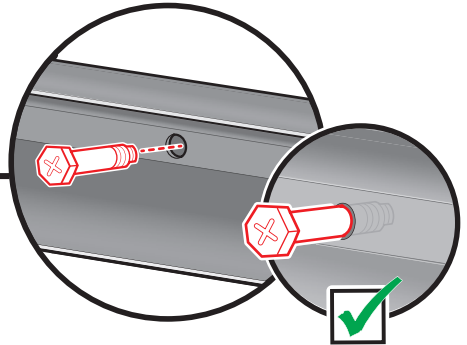
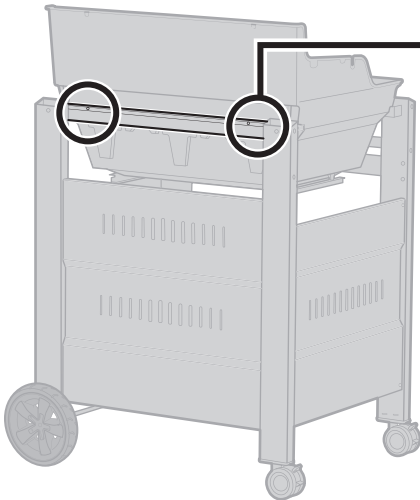
-2



17



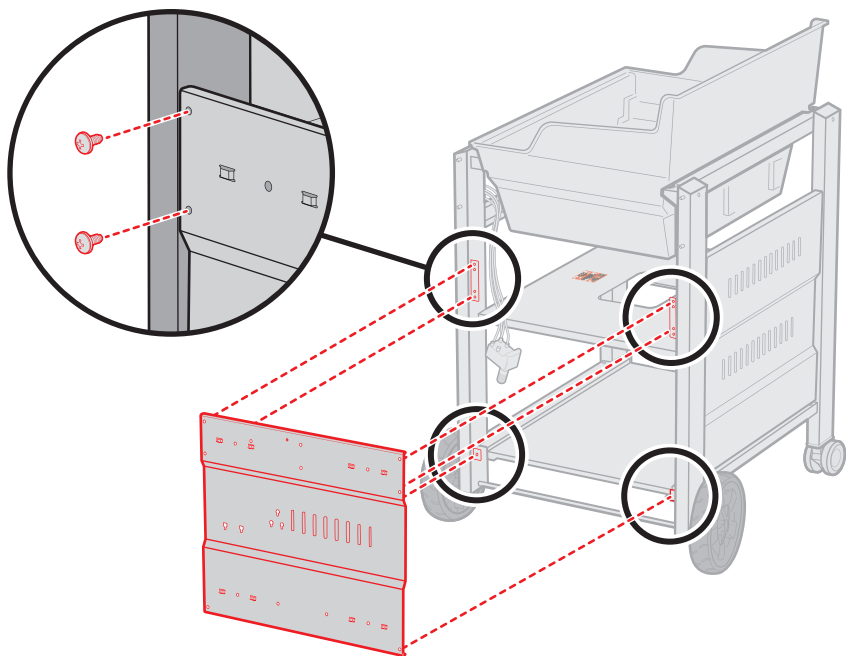
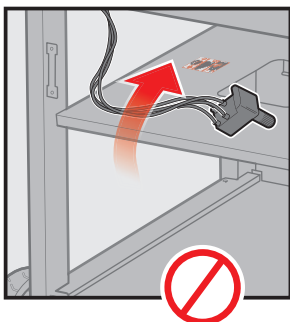
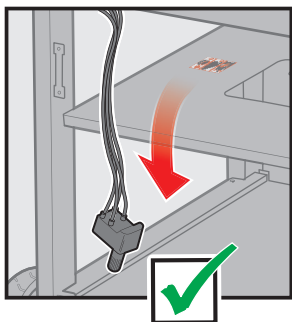
-2

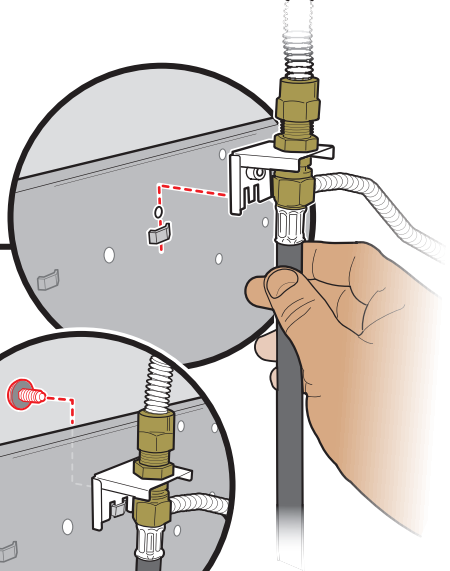
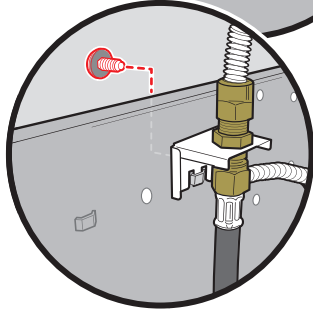
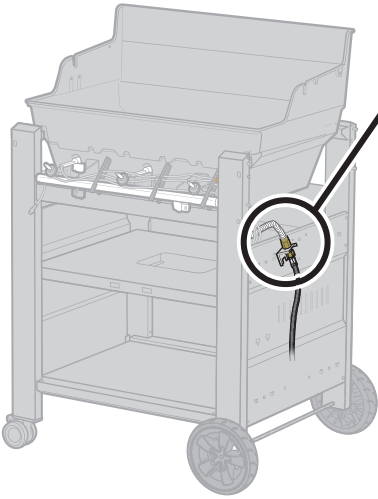
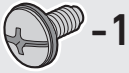
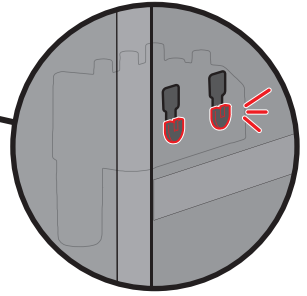
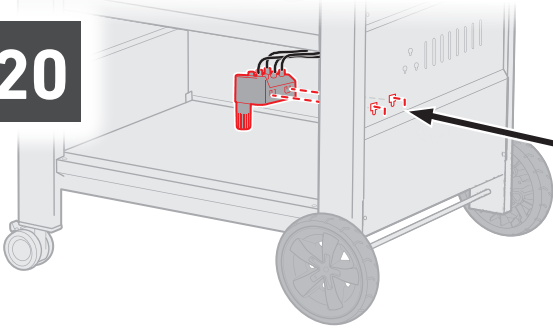
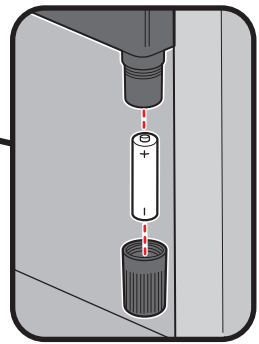
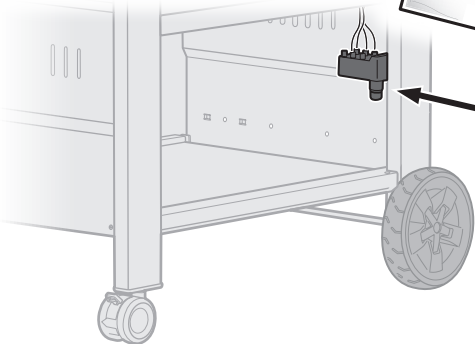
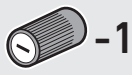


18



-6

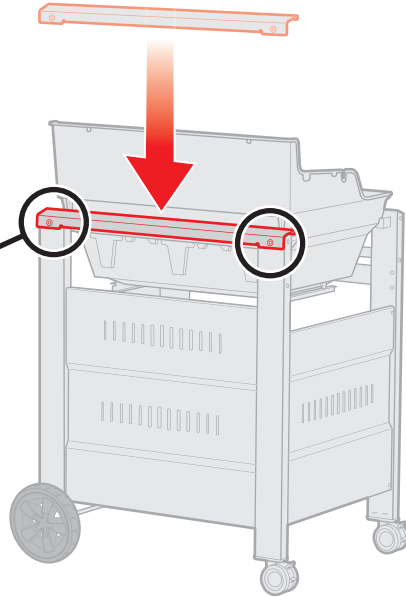
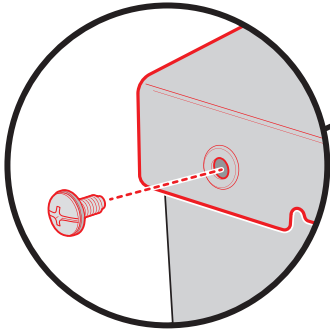
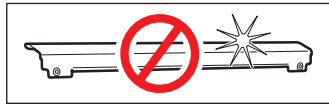


19**20****21**

22



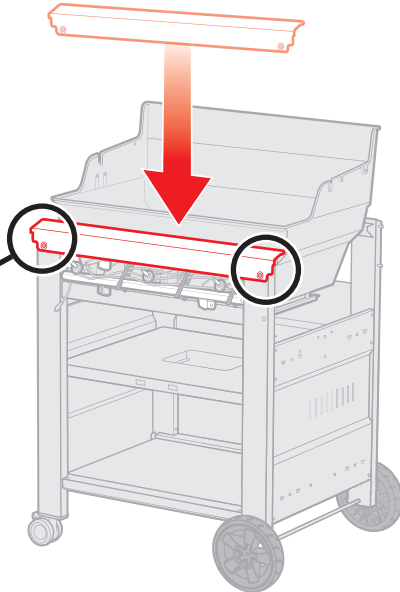
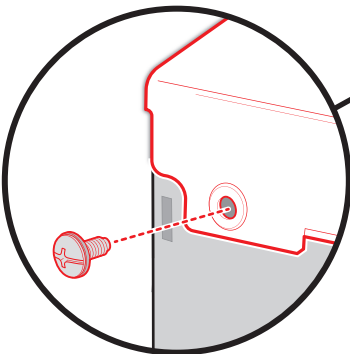
-2

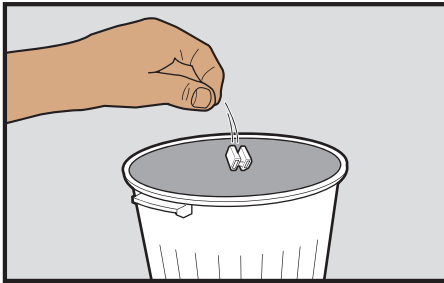
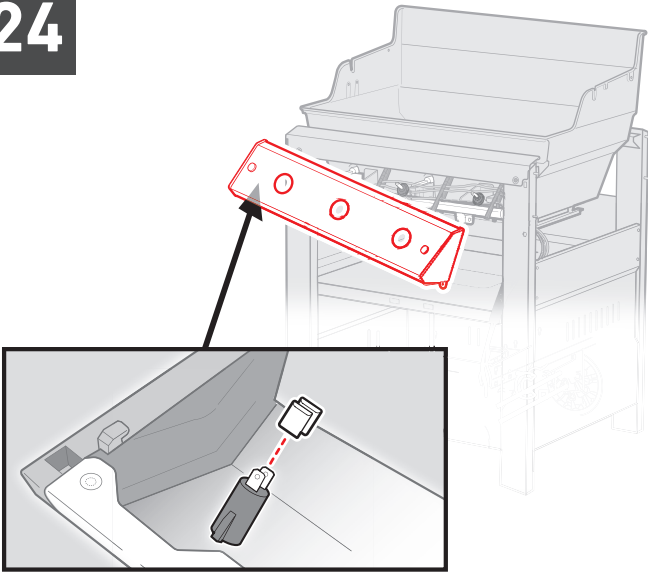


23

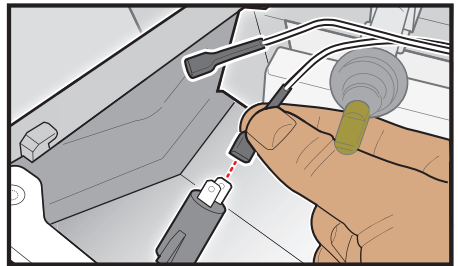


-2

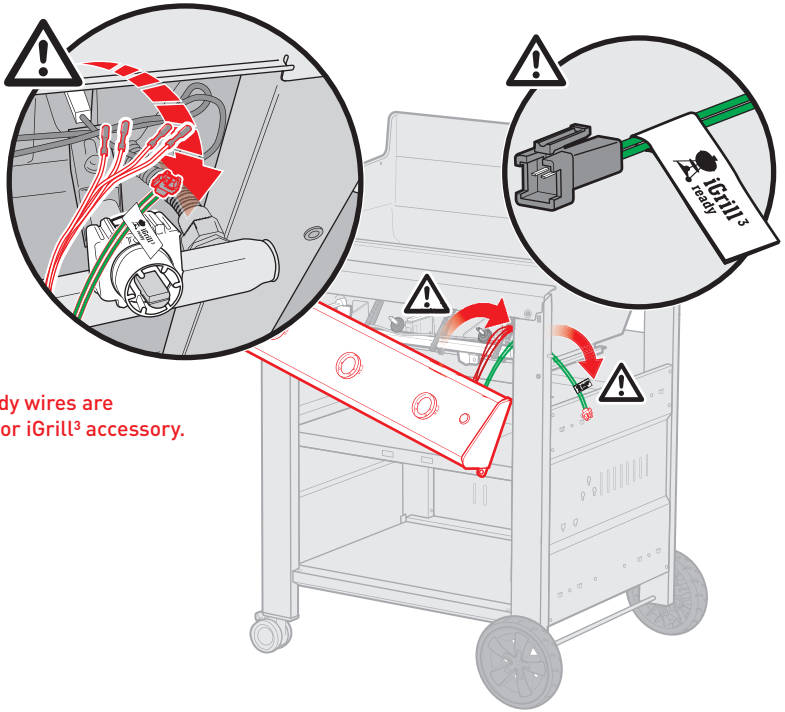




Attach wires.

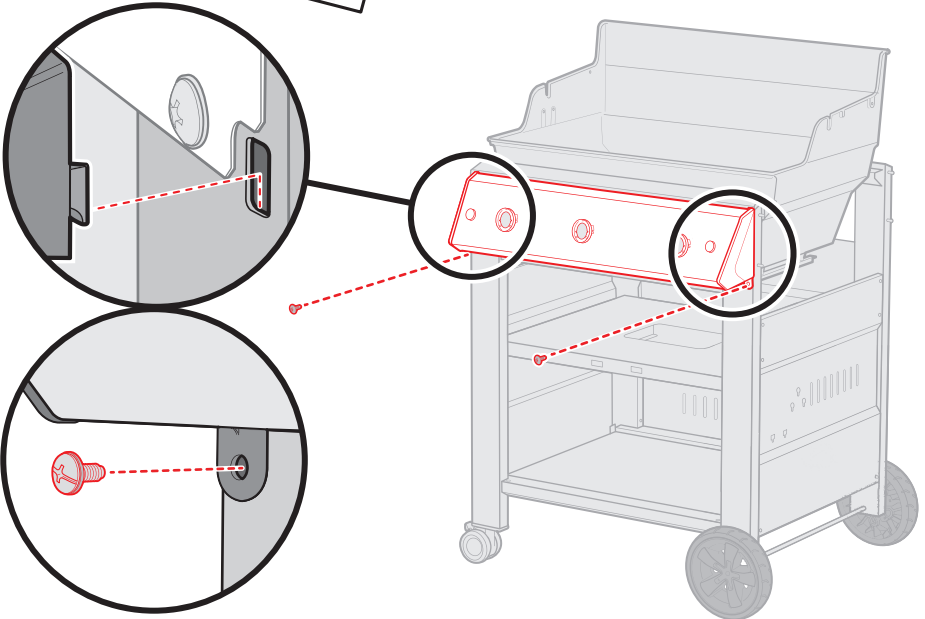


25

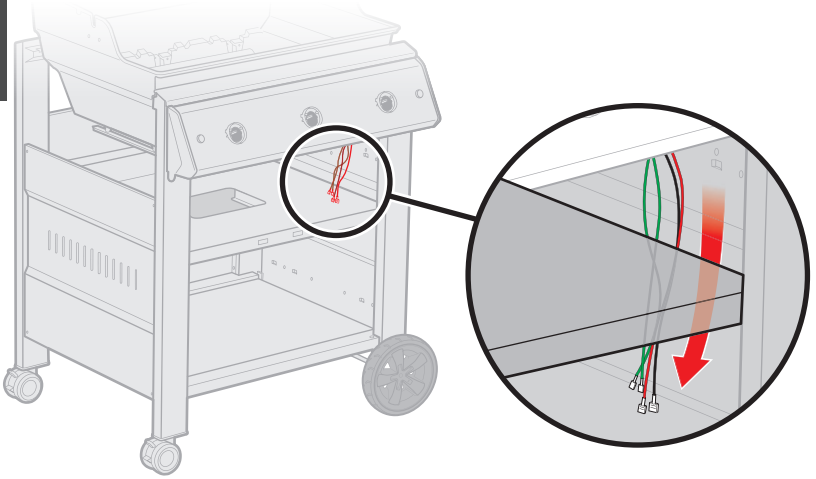


iGrill³ ready wires are included for iGrill³ accessory.

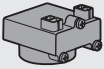
26



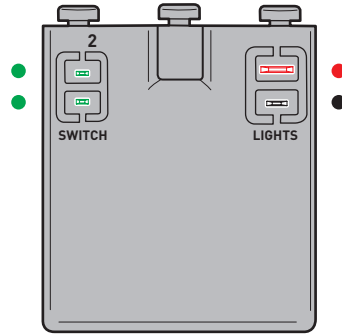
27



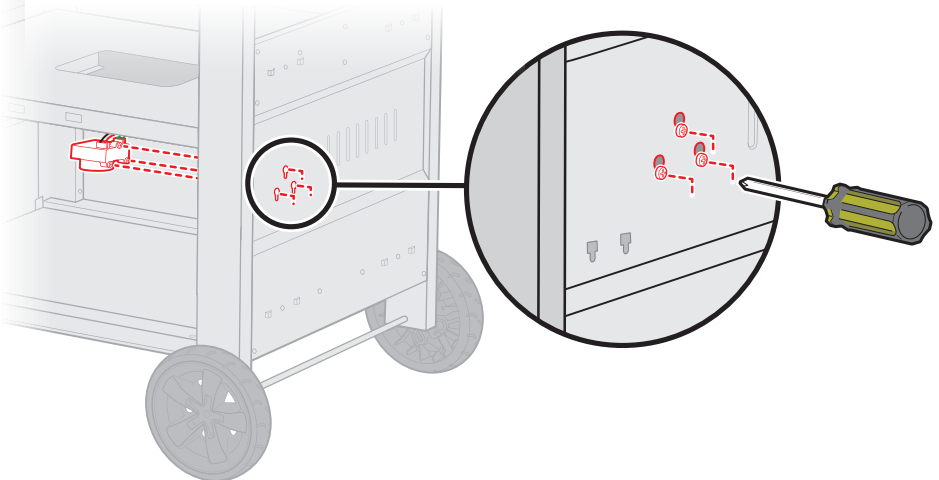
28



Attach wires.

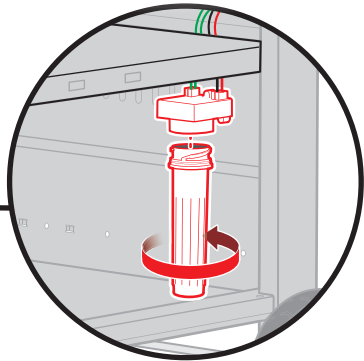
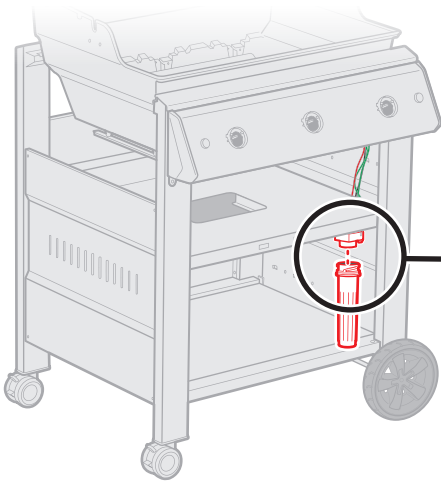
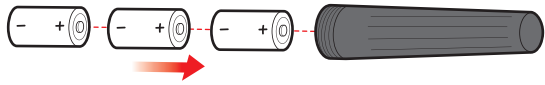


29

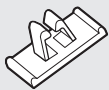


30

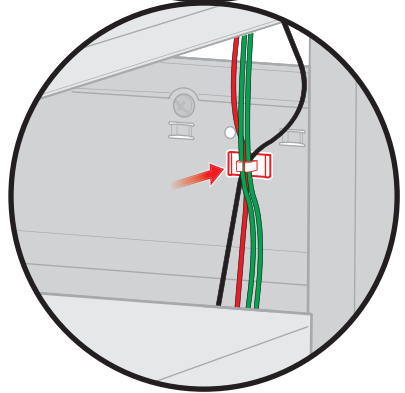
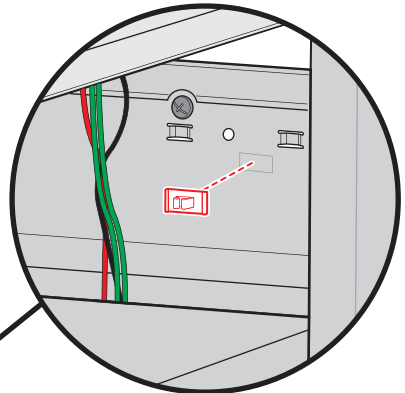
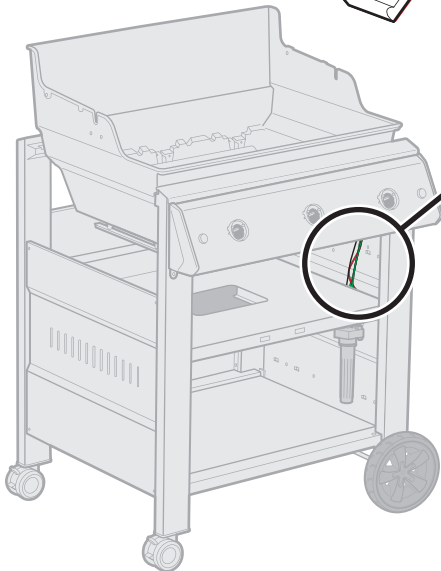
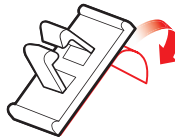
- D+ 0 - 3



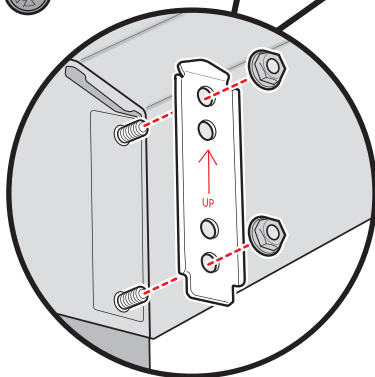
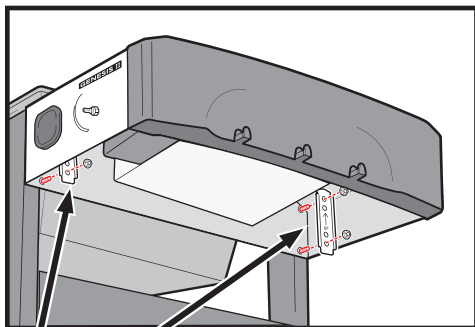
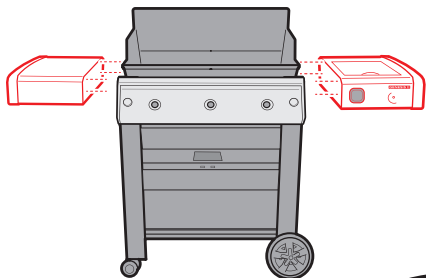
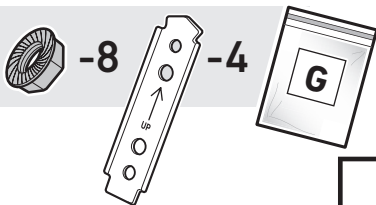
31



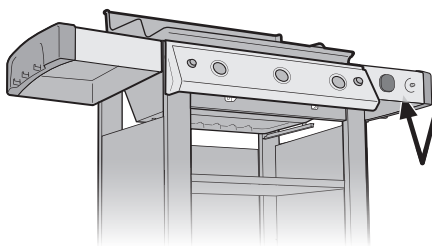
- 1



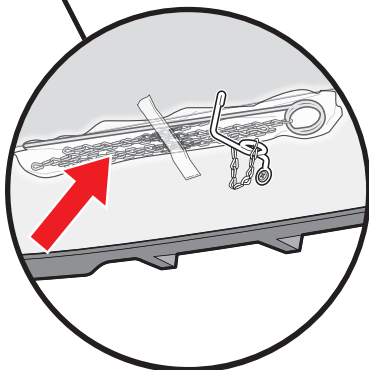
32



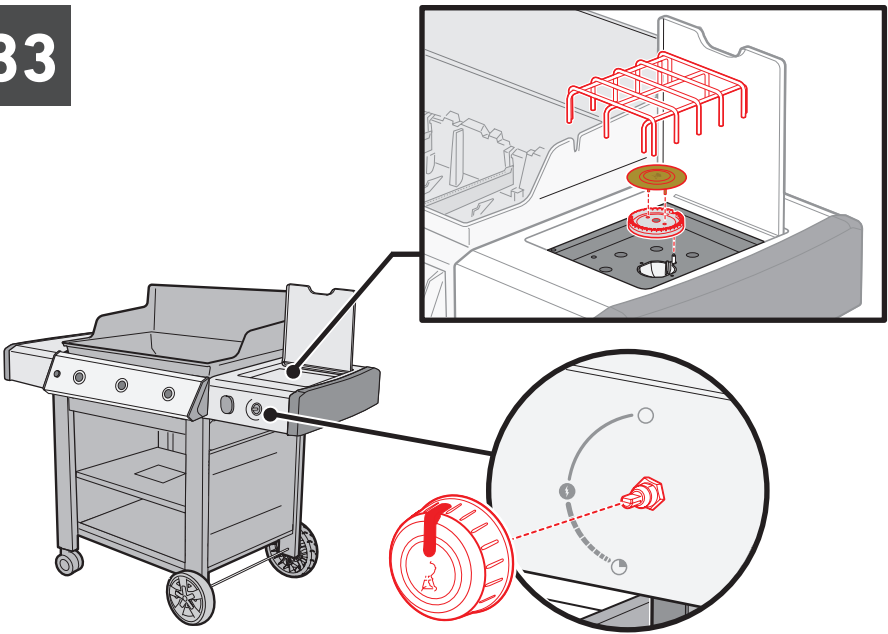
⚠ Remove protective film from stainless steel parts before installing.



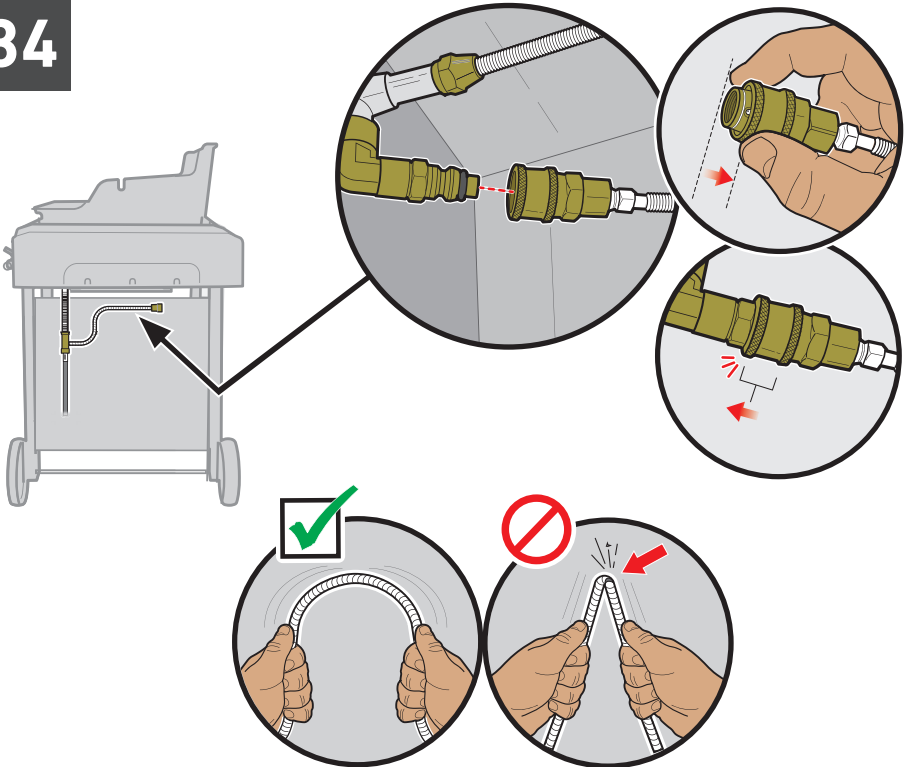
⚠ Refer to the Troubleshooting section of your Owner's Guide for match lighting instructions.



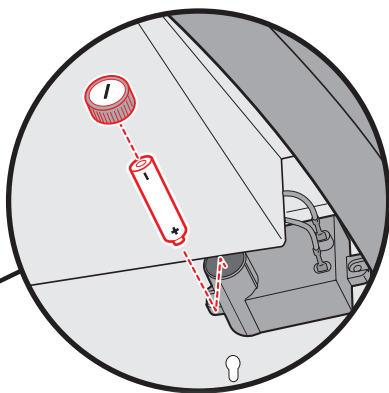
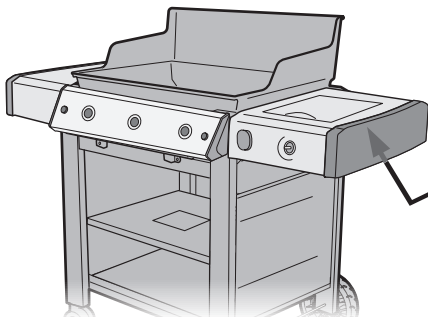
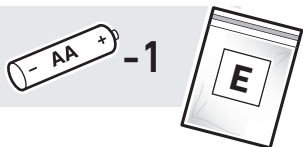
33



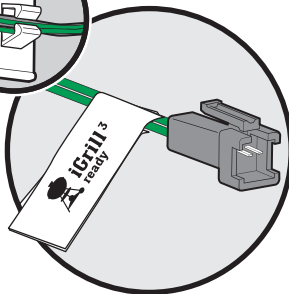
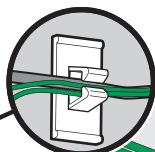
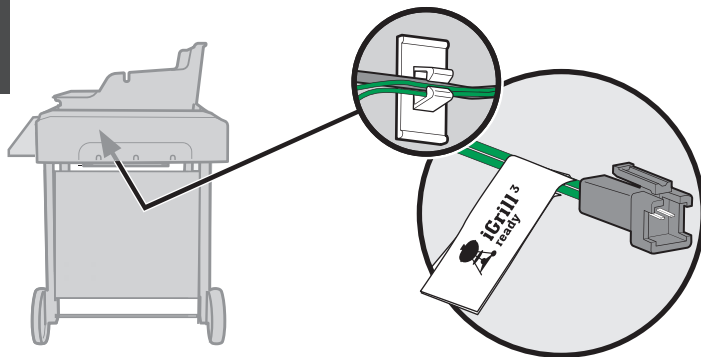
34



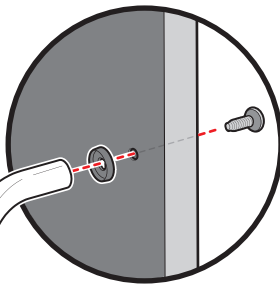
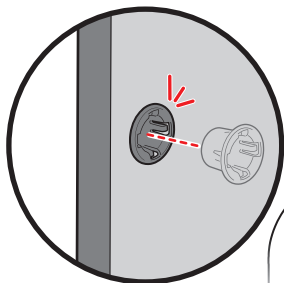
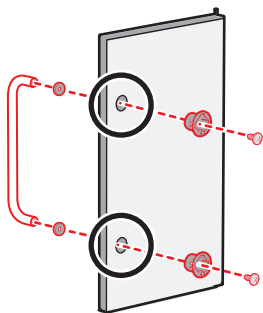
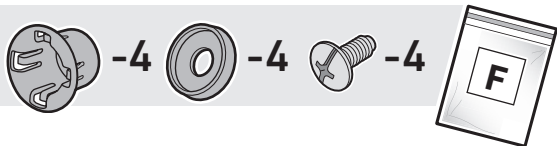
35



36



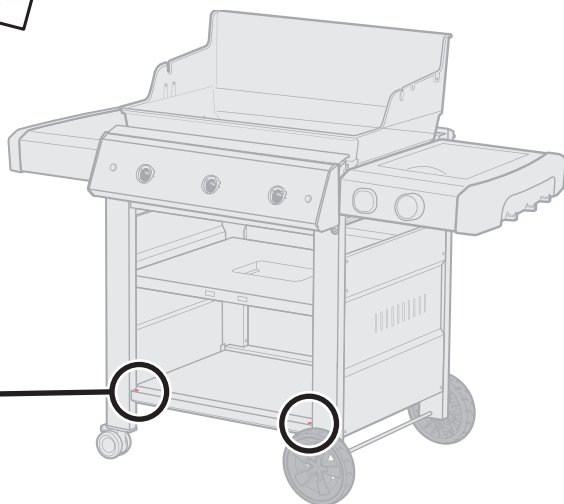
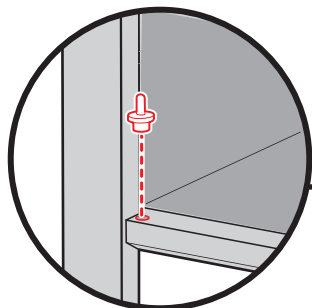
37



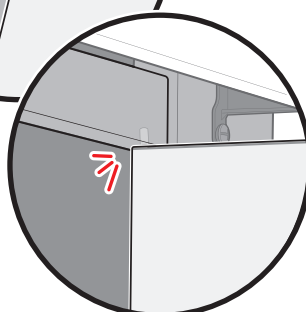
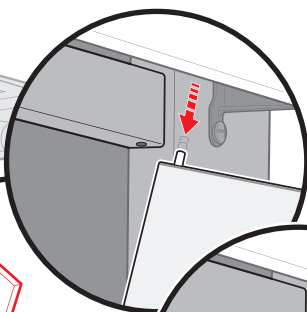
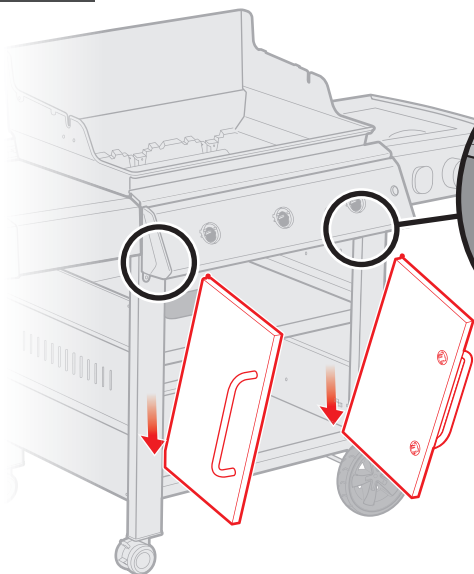
38



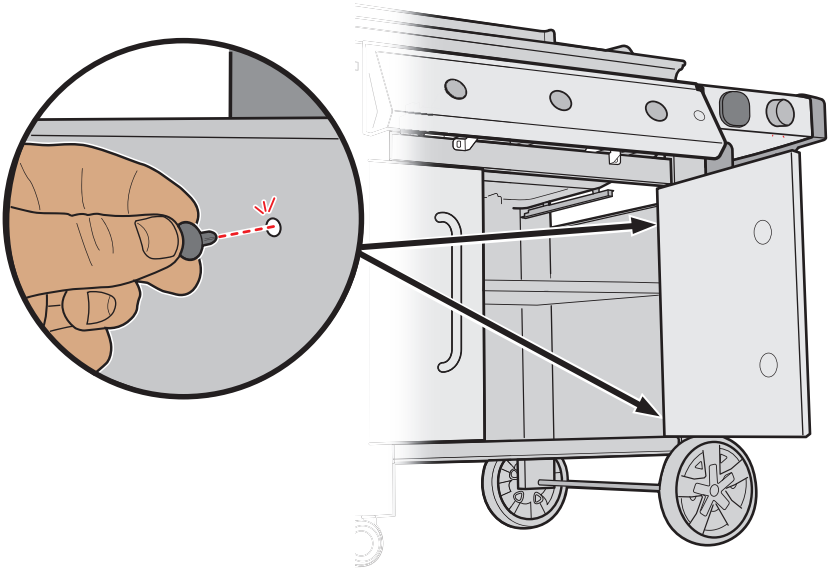
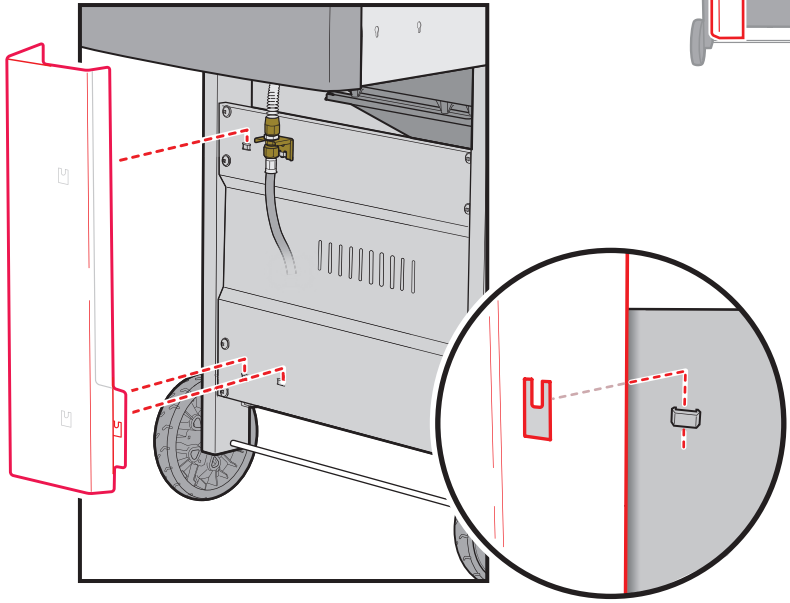
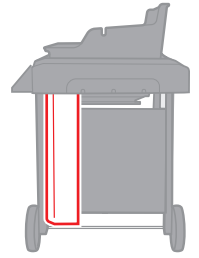
-2

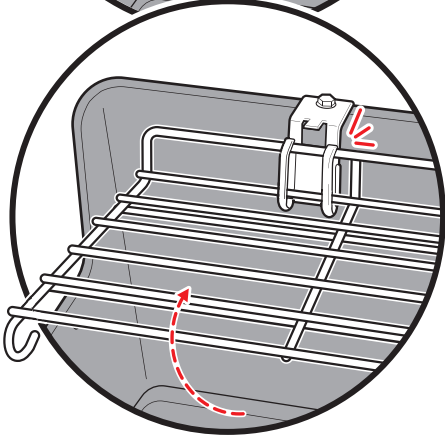
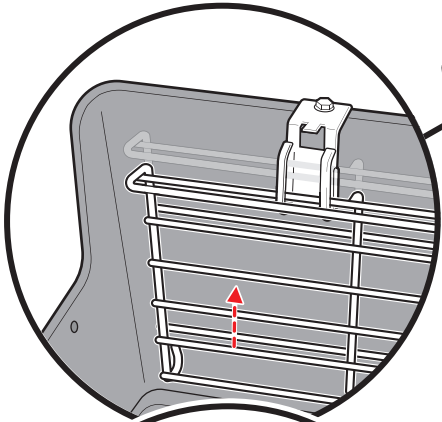
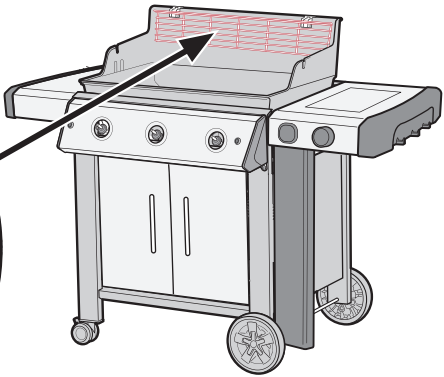


39



40





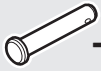
UP

DOWN



⚠ Use gloves or tool to raise or lower warming rack while grill is hot or in use.

42



-2



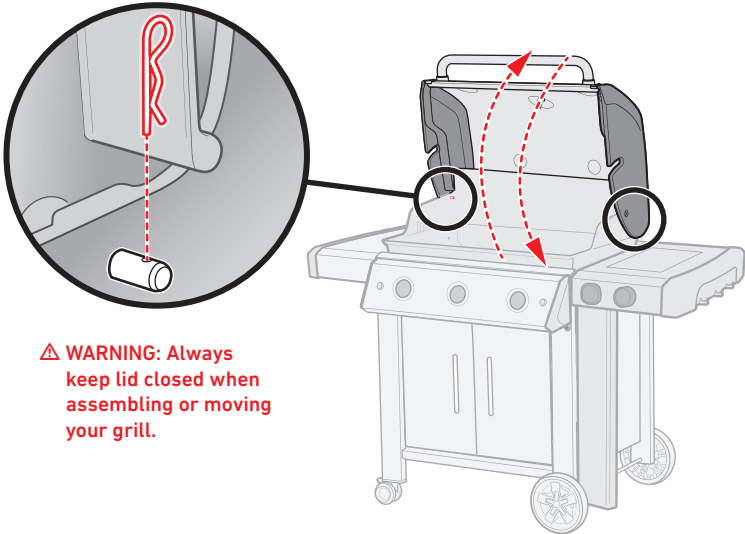
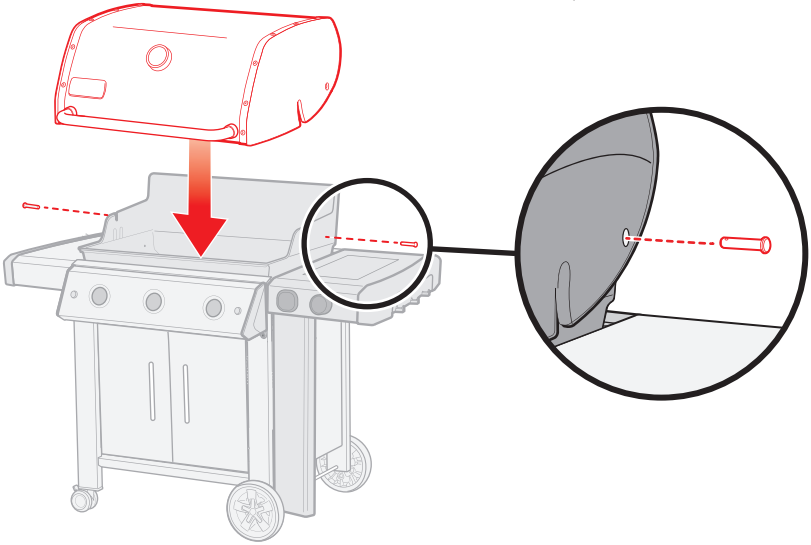
-2



-1

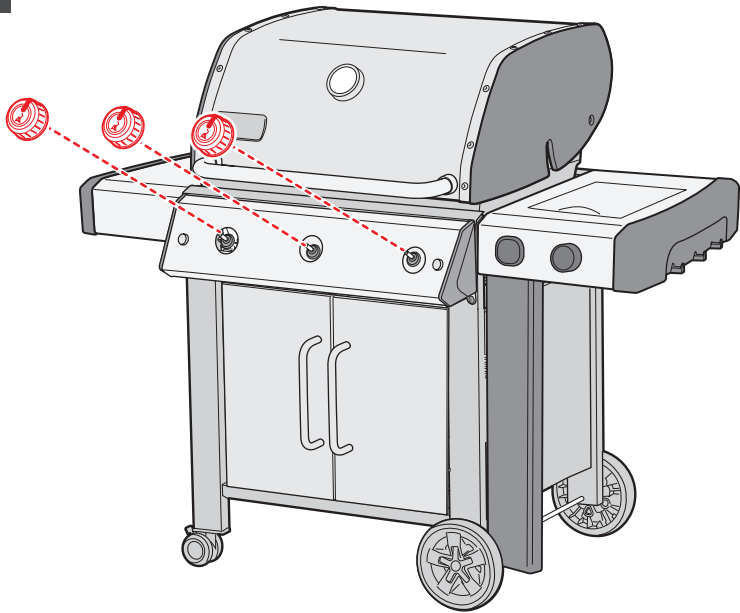


Extra fastener(s).

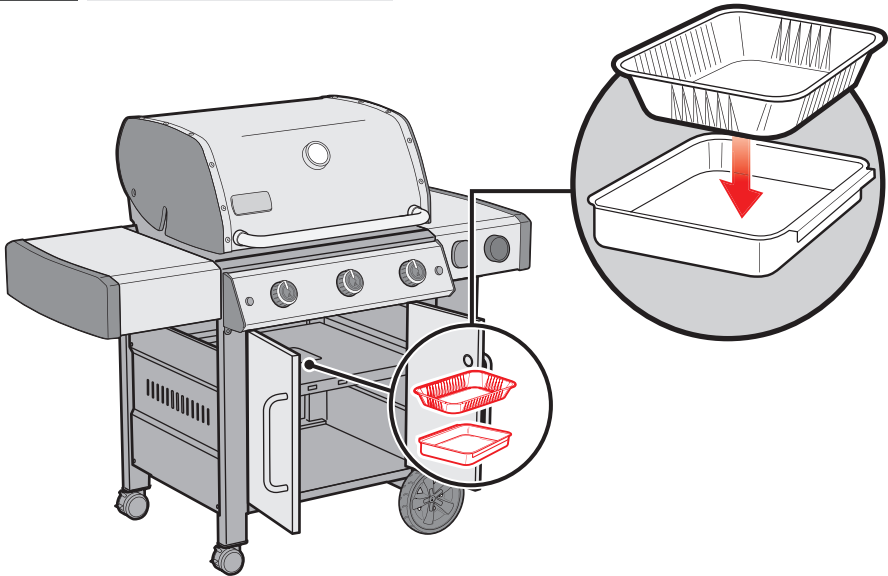
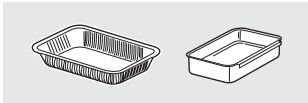


⚠ WARNING: Always keep lid closed when assembling or moving your grill.

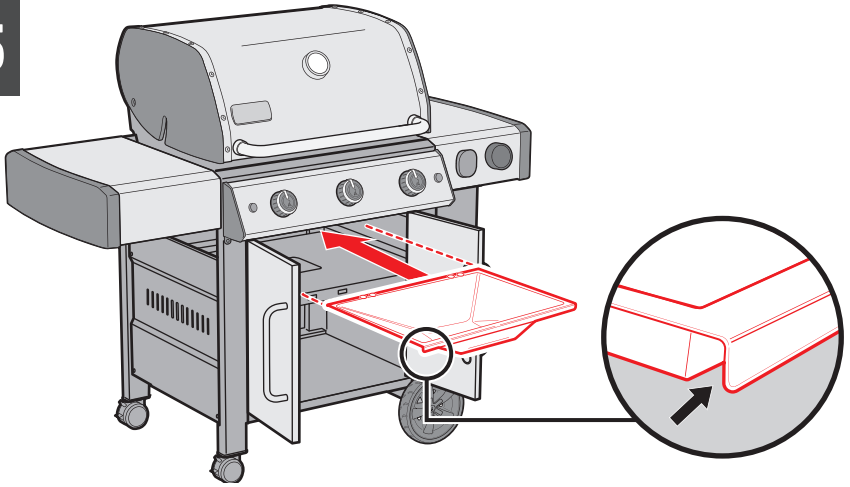
43



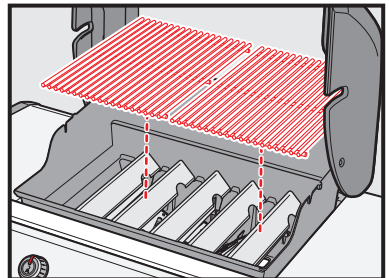
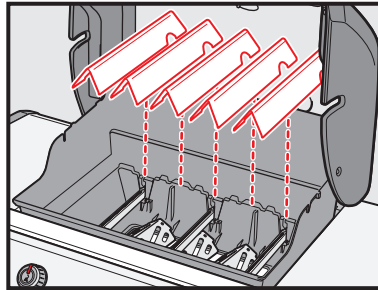
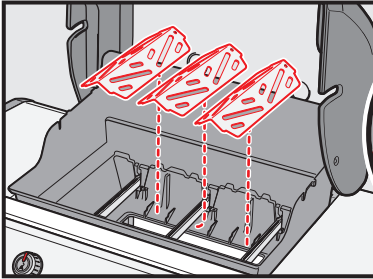
44



45



46



Register Today.
Regístrate hoy.
Enregistrez-le aujourd'hui.



U.S.:
1-800-446-1071
EE. UU.:
1-800-446-1071
États-Unis :
1 800 446-1071



Mexico:
01 800 0093237
México:
01 800 0093237
Mexique :
01 800 0093237



Canada:
1-800-446-1071
Canadá:
1-800-446-1071
Canada :
1 800 446-1071

Apple and the Apple logo are trademarks of Apple Inc., registered in the U.S. and other countries. App Store is a service mark of Apple Inc. Android and Google Play are trademarks of Google Inc.

Apple y el logotipo de Apple son marcas comerciales de Apple Inc., registradas en EE. UU. y otros países. App Store es una marca de servicio de Apple Inc. Android y Google Play son marcas comerciales de Google Inc.

Apple et le logo d'Apple sont des marques de commerce d'Apple Inc. déposées aux États-Unis et dans d'autres pays. App Store est une marque de service d'Apple Inc. Android et Google Play sont des marques de commerce de Google Inc.