



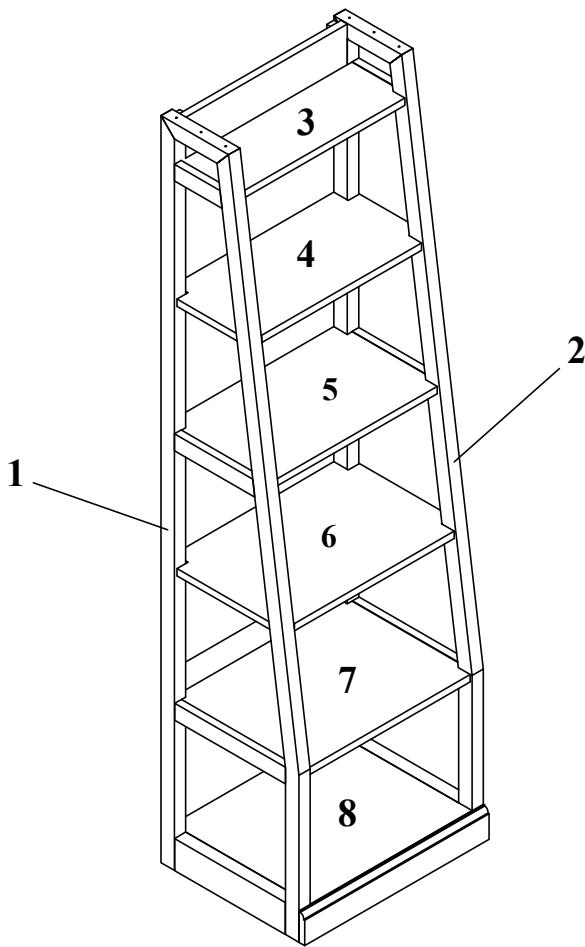
ITEM#:792-OT1000 DESCRIPTION: WALL PIER

Thank you for purchasing this quality product. Be sure to check all packing material carefully for small parts which may have come loose inside the carton during shipment. Identify and count all parts and compare with the parts List Below.

PART LIST

NO.	DRAWING	DESCRIPTION	Q'TY
1		PIER LEFT FRAME	1pc
2		PIER RIGHT FRAME	1pc
3		1st SHELF	1pc
4		2nd SHELF	1pc
5		3rd SHELF	1pc
6		4th SHELF	1pc
7		5th SHELF	1pc
8		BOTTOM SHELF	1pc

Finish Assembly



HARDWARE LIST

NO.	DRAWING	DESCRIPTION	Q'TY
A		BOLT 1/4"x20x1-1/8"	16pcs
B		LOCK WASHER 1/4"	16pcs
C		FLAT WASHER 1/4"x16mm	16pcs
D		ALLEN KEY 4mm	1pc
E		WOOD DOWEL Ø8x30mm	18pcs
F		PLASTIC CAP	6pcs
G		SCREW #7x5/8"	8pcs
H		SHELF PIN	8pcs
I		FURNITURE TIPPING RESTRAINT	1pc

CLEANING INSTRUCTION

Clean the surface with a furniture polish and a soft cloth.

MADE IN VIETNAM



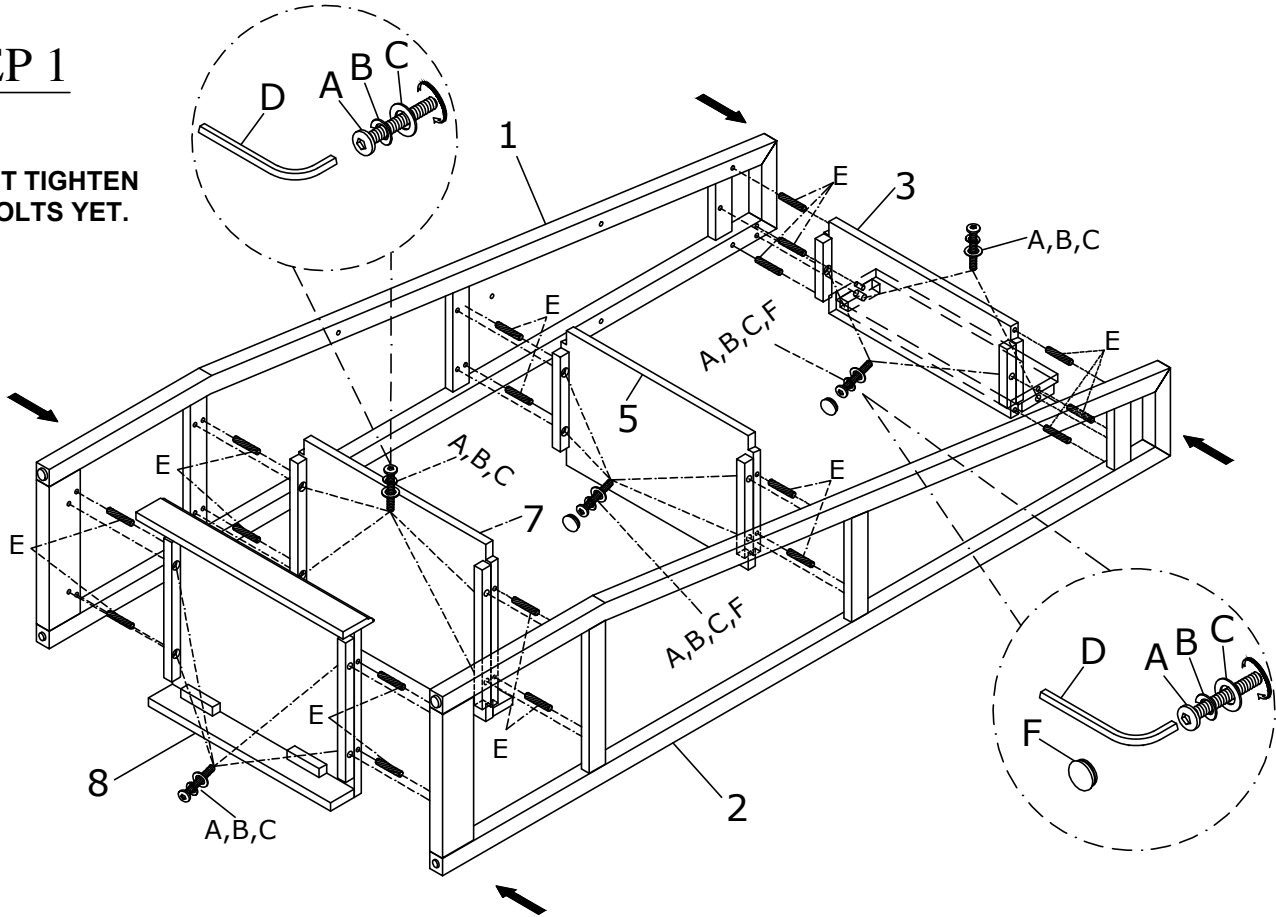
ITEM#:792-OT1000 DESCRIPTION: WALL PIER

Thank you for purchasing this quality product. Be sure to check all packing material carefully for small parts which may have come loose inside the carton during shipment. Identify and count all parts and compare with the parts List Below.

STEP 1

NOTE:

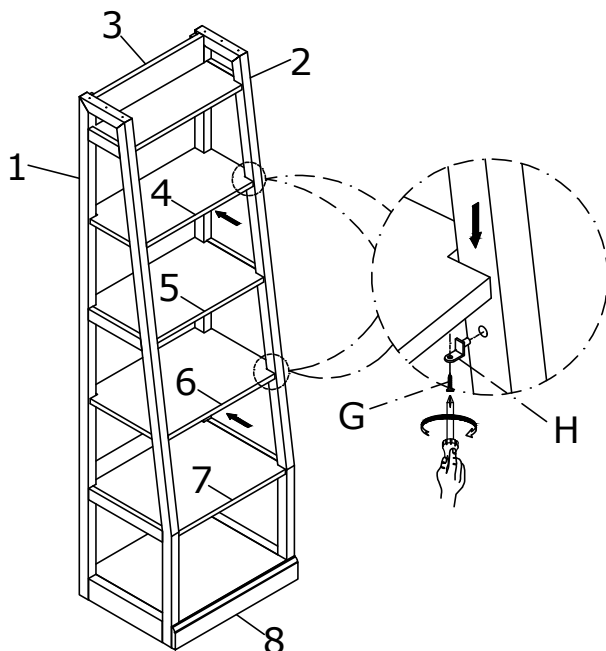
DO NOT TIGHTEN ALL BOLTS YET.



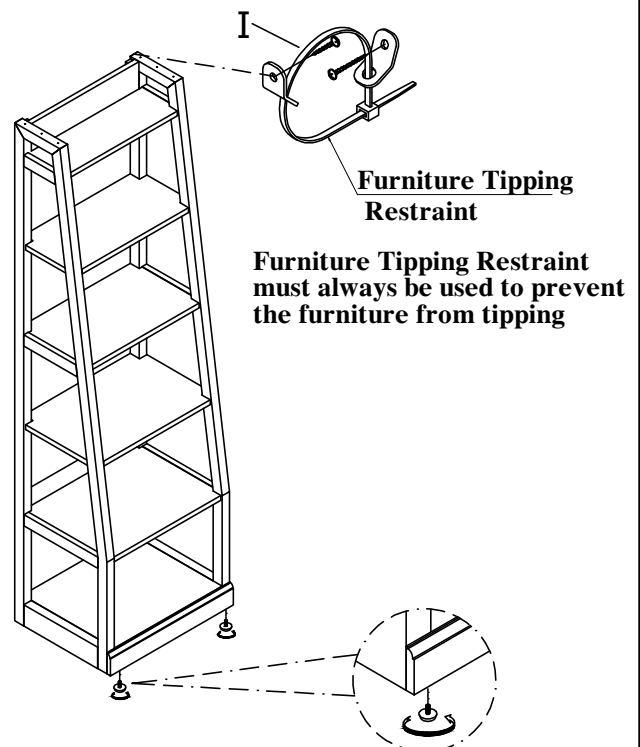
STEP 2

NOTE:

TIGHTEN ALL BOLTS.



STEP 3



CLEANING INSTRUCTION

Clean the surface with a furniture polish and a soft cloth.

MADE IN VIETNAM