



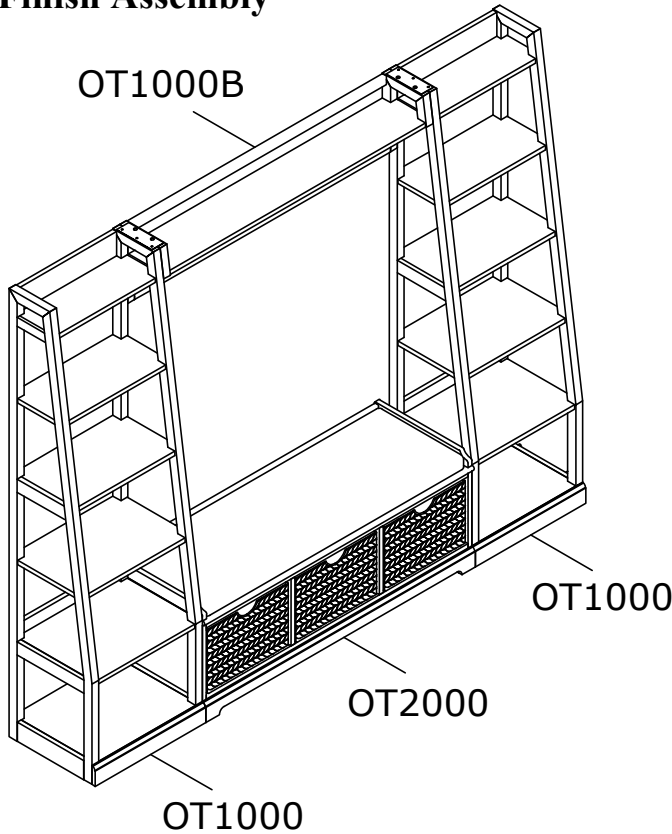
**ITEM#:792-OT2000 DESCRIPTION: WALL BENCH**

**ITEM#:792-OT1000 DESCRIPTION: WALL PIER**

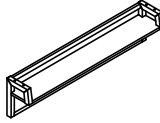
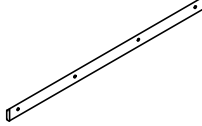
**ITEM#:792-OT1000B DESCRIPTION: WALL BRIDGE**

Thank you for purchasing this quality product. Be sure to check all packing material carefully for small parts which may have come loose inside the carton during shipment. Identify and count all parts and compare with the parts List Below.







**Finish Assembly**



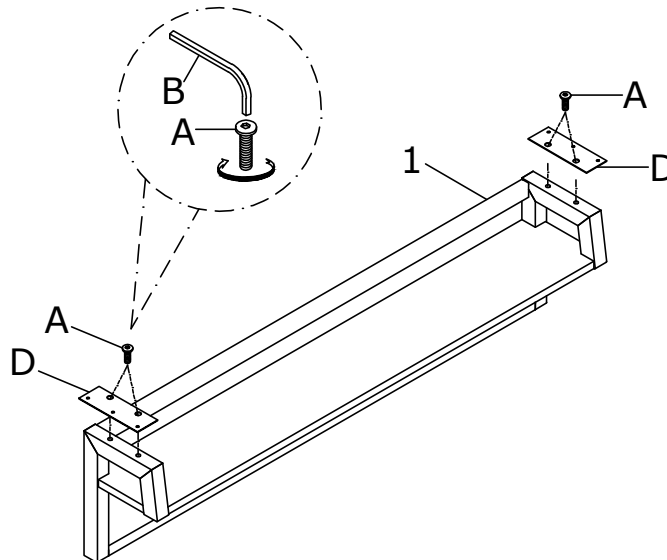
**PART LIST**

NO.	DRAWING	DESCRIPTION	Q'TY
1		WALL BRIDGE	1pc
2		WALL MOUNT	1pc

**HARDWARE LIST**

NO.	DRAWING	DESCRIPTION	Q'TY
A		BOLT 1/4"x20x5/8"	4pcs
B		ALLEN KEY 4mm	1pc
C		WOOD SCREW #7x5/8"	6pcs
D		METAL MENDING PLATE	2pcs
E		PLASTIC ANCHORS Ø7x30mmL	4pcs
F		VIS LONGUE #8x1-1/2"	4pcs

**STEP 1**



**CLEANING INSTRUCTION**



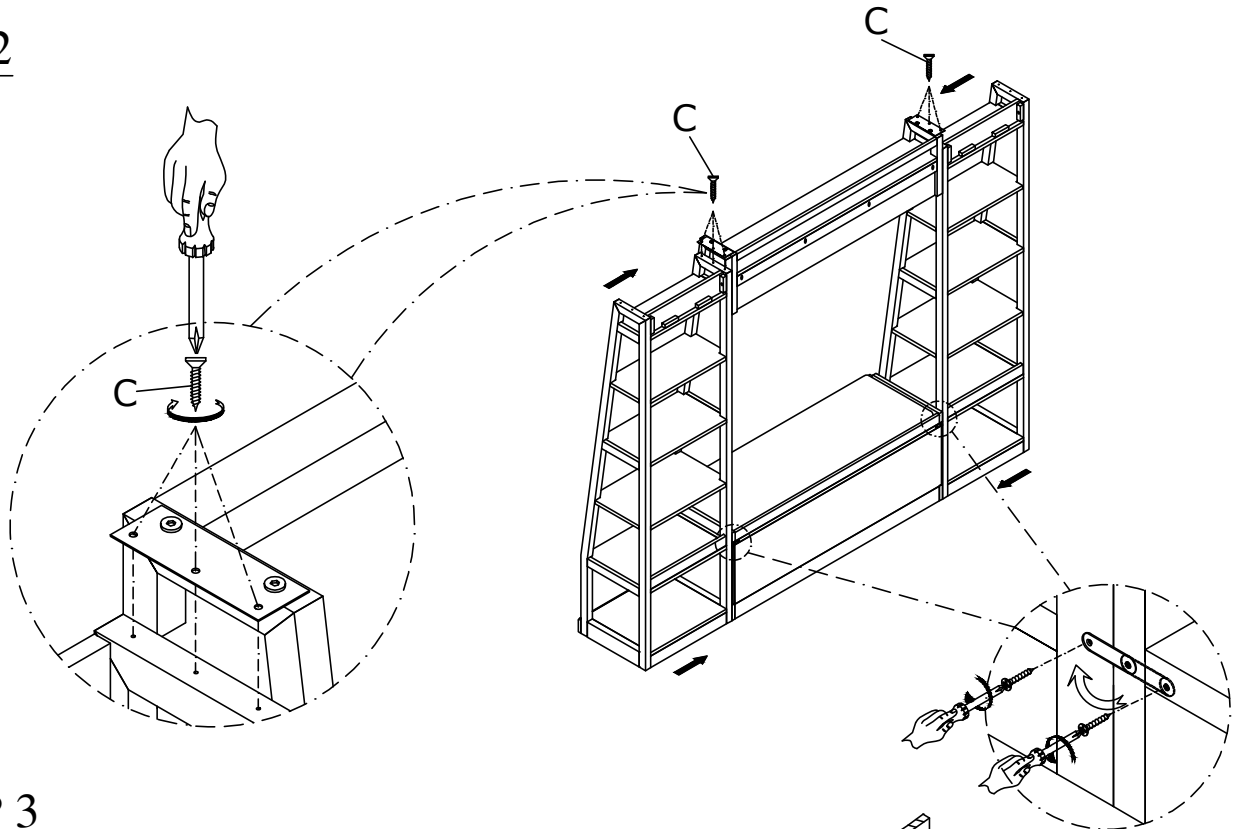
**ITEM#:792-OT2000 DESCRIPTION: BENCH**

**ITEM#:792-OT1000 DESCRIPTION: WALL PIER**

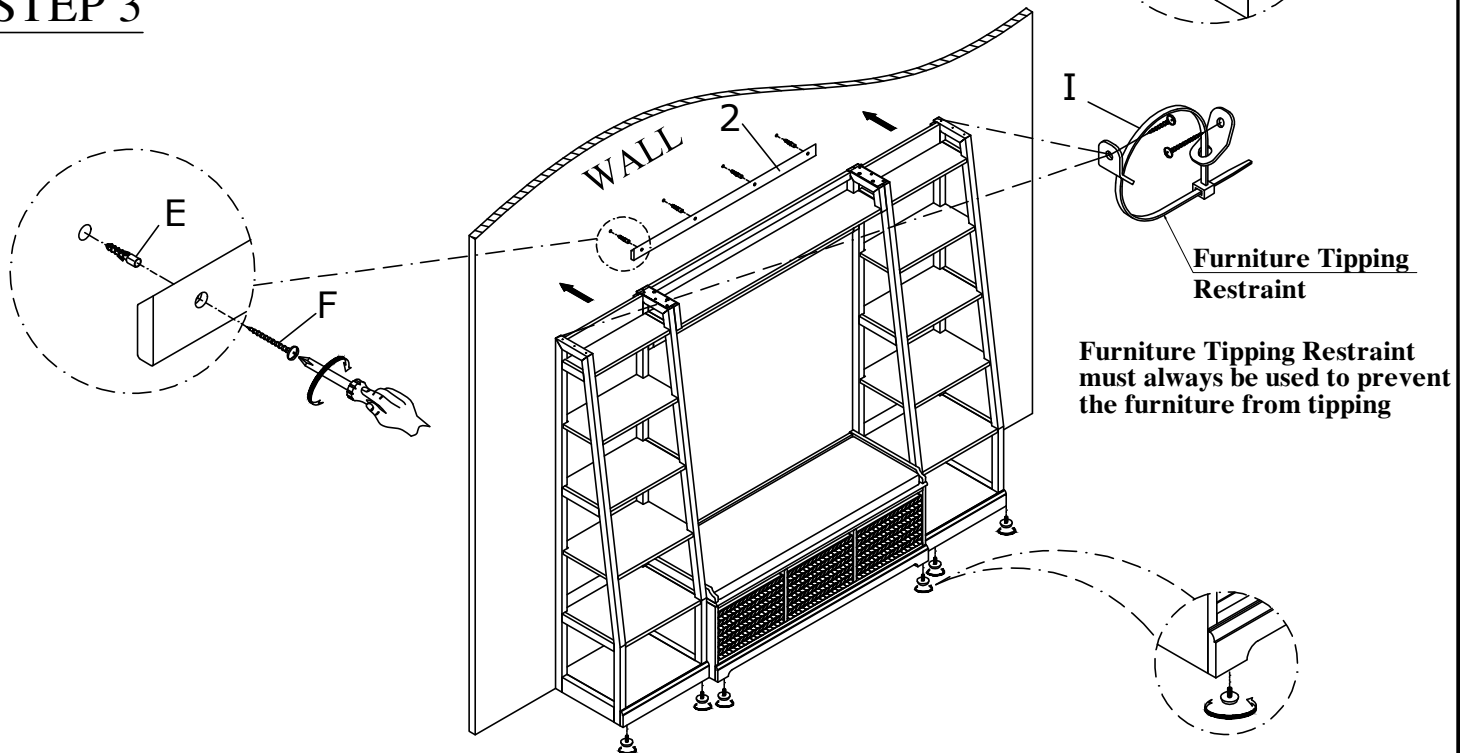
**ITEM#:792-OT1000B DESCRIPTION: WALL BRIDGE**

Thank you for purchasing this quality product. Be sure to check all packing material carefully for small parts which may have come loose inside the carton during shipment. Identify and count all parts and compare with the parts List Below.

**STEP 2**



**STEP 3**



**CLEANING INSTRUCTION**

Clean the surface with a furniture polish and a soft cloth.

MADE IN VIETNAM