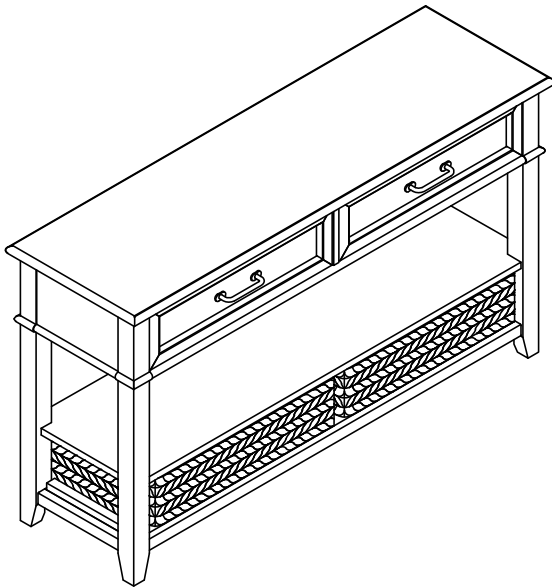




ITEM#:792-OT1030 DESCRIPTION: 2 DRAWER SOFA TABLE

Thank you for purchasing this quality product. Be sure to check all packing material carefully for small parts which may have come loose inside the carton during shipment. Identify and count all parts and compare with the parts List Below.

Finish Assembly



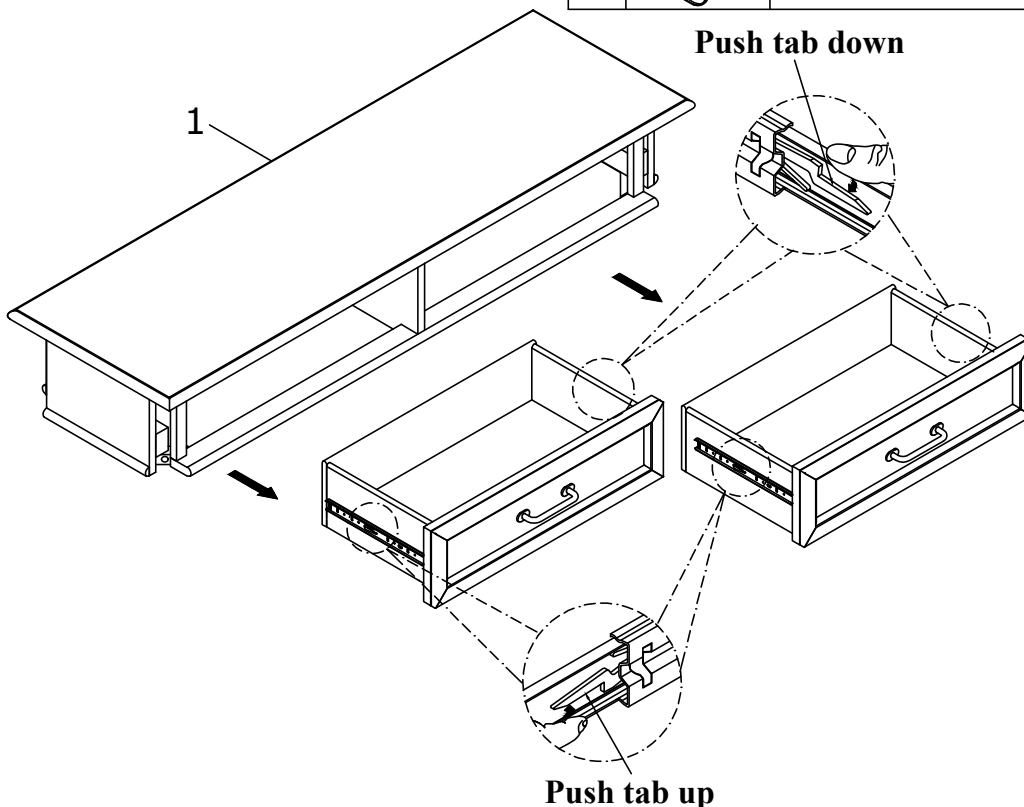
PART LIST

NO.	DRAWING	DESCRIPTION	Q'TY
1		TABLE TOP	1pc
2		SHELF	1pc
3		LEGS	4pcs
4		STORAGE BASKET	2pcs

HARDWARE LIST

NO.	DRAWING	DESCRIPTION	Q'TY
A		BOLT 1/4"x20x2"	12pcs
B		LOCK WASHER 1/4"	12pcs
C		FLAT WASHER 1/4"x16mm	12pcs
D		ALLEN KEY 4mm	1pc
E		FURNITURE TIPPING RESTRAINT	1pc

STEP 1



CLEANING INSTRUCTION



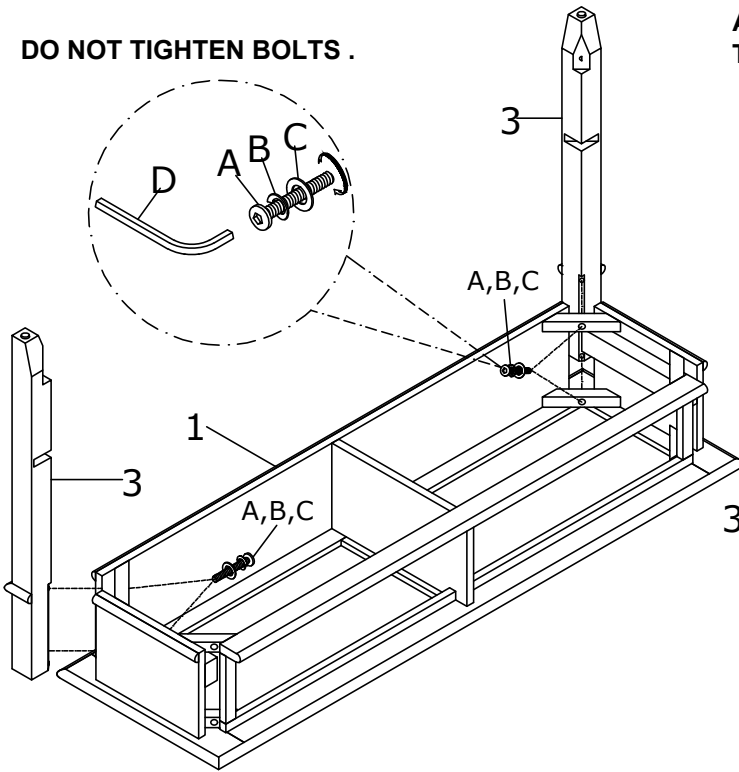
ITEM#:792-OT1030 DESCRIPTION: 2 DRAWER SOFA TABLE

Thank you for purchasing this quality product. Be sure to check all packing material carefully for small parts which may have come loose inside the carton during shipment. Identify and count all parts and compare with the parts List Below.

STEP 2

NOTE:

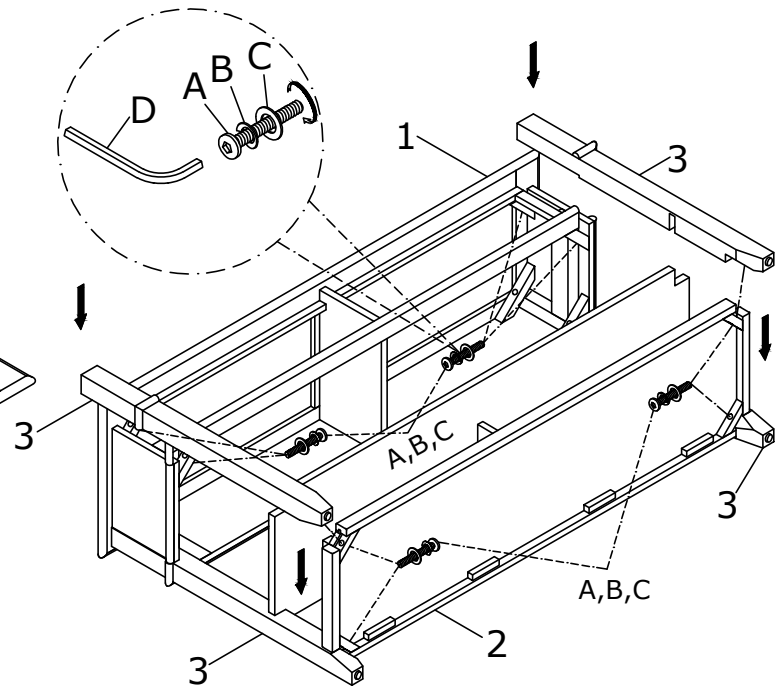
DO NOT TIGHTEN BOLTS .



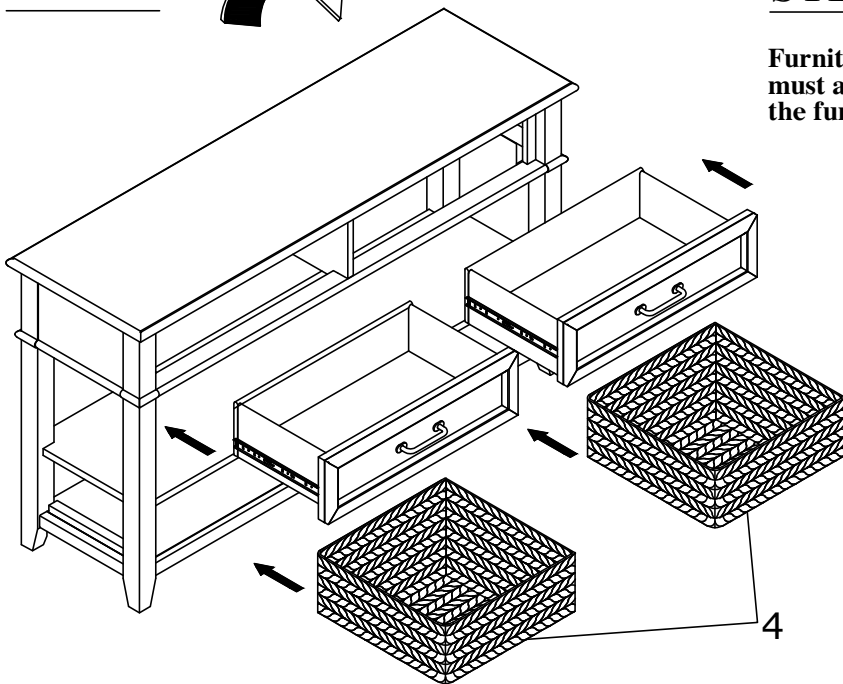
STEP 3

NOTE:

**AFTER SHELF SET IN
TIGHTEN ALL BOLTS .**

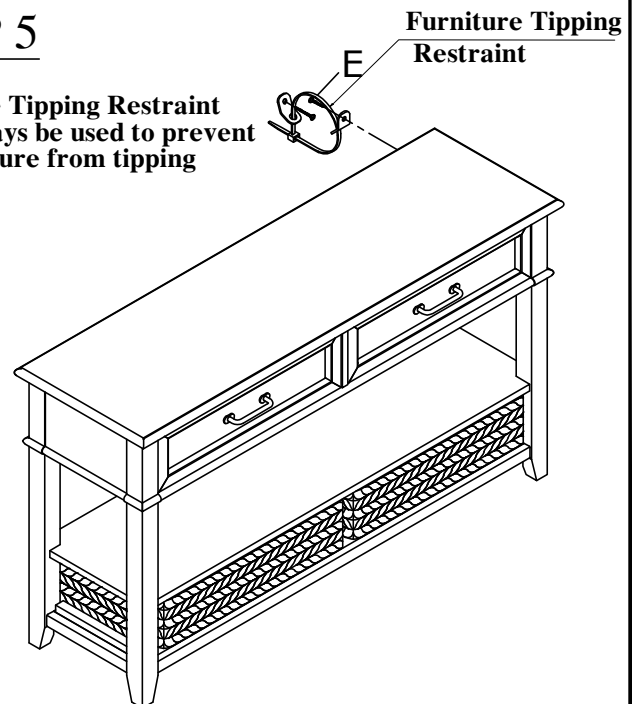


STEP 4



STEP 5

**Furniture Tipping Restraint
must always be used to prevent
the furniture from tipping**



CLEANING INSTRUCTION