



## POWER SERIES Power 900

### Submittal Sheet

This model offers the following features and benefits:

- 3/4 HP heavy duty Dura-Drive® induction motor
- Reduced Sound is 55% quieter than the Badger® 500 disposal
- Power Grind for tough food scraps like peach pits
- 2-Stage MultiGrind® Technology: Finer grind designed to help prevent clogs<sup>1</sup>
- EZ Connect Disposal easily connects to a hardwire connection or outlet
- Removable and dishwasher safe baffle for ease of cleaning
- Safe for use with properly maintained septic tanks

### Sample Specification

Food Waste Disposer(s) shall be InSinkErator Power 900, continuous feed, with 3/4 HP motor, stainless steel grinding elements with two stainless steel 360° swivel lugs. Self-service wrench.

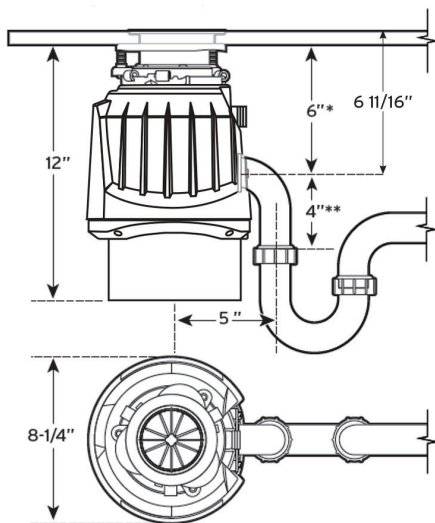
### Warranty

6-Year We Come to You® In-Home Limited Warranty<sup>2</sup>

### Specifications

Type of Feed	Continuous
On/Off Control	Wall Switch
Motor	Single Phase
HP	3/4
Volts	120
HZ	60
Amp. (Avg. Load)	9.5
Time Rating	Intermittent
Lubrication	Permanently Lubricated Upper & Lower Bearings
Shipping Weight (Approx.)	17 lb. 14 oz.
Overall Height	12"
Motor Protection	Automatic Reset
Drain Connection	1-1/2" Cushioned Slip Joint
Dishwasher Drain Connection	Yes

### Dimensions



### Job Specifications



Food waste is roughly 60-95% water. By using your disposal regularly, you can help divert food waste from landfills and reduce greenhouse gas emissions. Many wastewater treatment plants are capable of converting food waste processed by your garbage disposal into renewable energy and beneficial fertilizer. Make sustainability a family affair by using your disposal. After all, the smallest changes can make the biggest impact.



The ONLY manufacturer with disposers  
**INVENTED, DESIGNED & ASSEMBLED in the USA**



<sup>1</sup> Compared to InSinkErator® 1-stage grind.  
<sup>2</sup> Visit [www.insinkerator.com](http://www.insinkerator.com) for warranty details.