

## ADVANCED SERIES

# Evolution<sup>®</sup> 1300



### Submittal Sheet

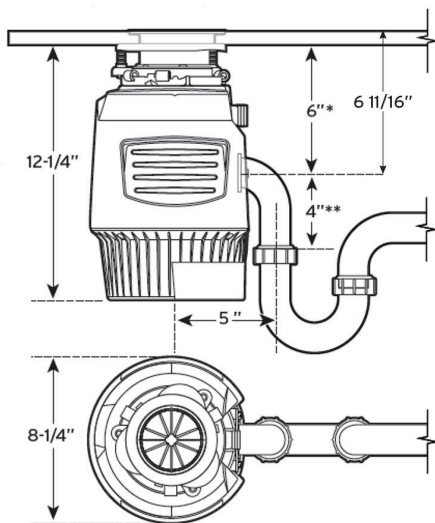
This model offers the following features and benefits:

- 3/4 HP heavy duty Dura-Drive<sup>®</sup> induction motor
- Quiet SoundSeal Technology<sup>®</sup> is 75% quieter than the Badger<sup>®</sup> 500 disposal
- Advanced Grind for tough and fibrous food scraps like bones and corn cobs
- 3-Stage MultiGrind<sup>®</sup> Technology: Finest grind designed to prevent clogs
- EZ Connect Disposal easily connects to a hardwire connection or outlet
- Removable, dishwasher safe Quiet Collar<sup>®</sup> sink baffle traps noise inside the disposal
- Safe for use with properly maintained septic tanks
- EZ Connect Cord Sold Separately

### Specifications

Type of Feed	Continuous
On/Off Control	Wall Switch
Motor	Single Phase
HP	3/4
Volts	120
HZ	60
Amp. (Avg. Load)	9.5
Time Rating	Intermittent
Lubrication	Permanently Lubricated Upper & Lower Bearings
Shipping Weight (Approx.)	18 lb. 6 oz.
Overall Height	12.25"
Motor Protection	Automatic Reset
Drain Connection	1-1/2" Cushioned Slip Joint
Dishwasher Drain Connection	Yes

### Dimensions



### Sample Specification

Food Waste Disposer(s) shall be InSinkErator Evolution<sup>®</sup> 1300, continuous feed, with 3/4 HP motor, stainless steel grinding elements with two stainless steel 360<sup>°</sup> swivel lugs. Self-service wrench.

### Warranty

9-Year We Come to You<sup>®</sup> In-Home Limited Warranty<sup>2</sup>



Food waste is roughly 60-95% water. By using your disposal regularly, you can help divert food waste from landfills and reduce greenhouse gas emissions. Many wastewater treatment plants are capable of converting food waste processed by your garbage disposal into renewable energy and beneficial fertilizer. Make sustainability a family affair by using your disposal. After all, the smallest changes can make the biggest impact.

### Job Specifications



<sup>1</sup> Compared to InSinkErator<sup>®</sup> 1-stage grind and 2-stage MultiGrind<sup>®</sup> Technology.  
<sup>2</sup> Visit [www.insinkerator.com](http://www.insinkerator.com) for warranty details.

1-800-558-5700  
[www.insinkerator.com](http://www.insinkerator.com)

