



# POWER SERIES Power 15ss

## Submittal Sheet

This model offers the following features and benefits:

- 3/4 HP long-lasting, Dura-Drive® Induction motor
- Reduced Sound featuring a reduced noise level over a standard disposal
- Power Grind for tough food scraps
- 2-Stage MultiGrind® Technology: Finer grind designed to prevent clogs
- EZ Connect Disposal easily connects to a hardwire connection or outlet
- Removable EZ Pass Baffle
- Safe for use with properly maintained septic tanks
- EZ Connect Cord Sold Separately

## Sample Specification

Food Waste Disposer(s) shall be InSinkErator Power 15ss, continuous feed, with 3/4 HP. motor, stainless steel grinding elements with two stainless steel 360° swivel lugs. Exclusive self-service wrench.

## Warranty

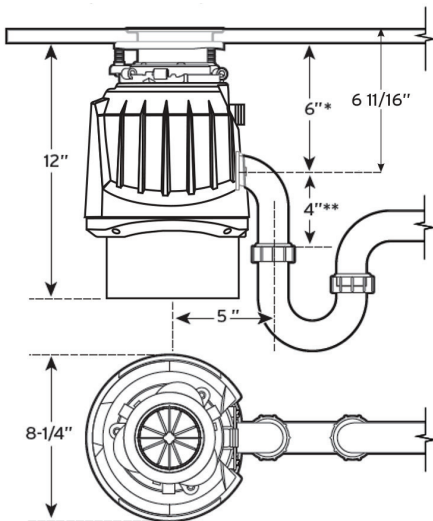
6-Year We Come to You® Limited In Home Warranty

\* The complete InSinkErator warranty is included in the Care & Use Booklet packed with each unit.

## Specifications

Type of Feed	Continuous
On/Off Control	Wall Switch
Motor	Single Phase
HP	3/4
Volts	120
HZ	60
RPM	1725
Amp. (Avg. Load)	9.5
Time Rating	Intermittent
Lubrication	Permanently Lubricated Upper & Lower Bearings
Shipping Weight (Approx.)	17.9 lb.
Overall Height	12"
Motor Protection	Automatic Reset
Average Water Usage	Approx. 1 Gallon per Person Per Day
Average Electrical Usage	3-4 KWH per Year
Drain Connection	1-1/2" Cushioned Slip Joint
Dishwasher Drain Connection	Yes

## Dimensions



## Job Specifications



Food waste is roughly 80% water. By using your disposal regularly, you can help divert food waste from landfills and reduce greenhouse gas emissions. Make sustainability a family affair by using your disposal. After all, the smallest changes can make the biggest impact.



1-800-558-5700  
www.insinkerator.com