



ADVANCED SERIES Evolution[®] 35ss

Submittal Sheet

This model offers the following features and benefits:

- 5/8 HP long-lasting, Dura-Drive[®] Induction motor
- Quiet SoundSeal Technology[®] delivers quiet disposal operation
- Advanced Grind for tough and fibrous food scraps
- 3-Stage MultiGrind[®] Technology: Finest grind designed to prevent clogs
- EZ Connect Disposal easily connects to a hardwire connection or outlet
- Removable EZ Pass Baffle
- Safe for use with properly maintained septic tanks
- EZ Connect Cord Sold Separately

Sample Specification

Food Waste Disposer(s) shall be InSinkEratore Evolution[®] 35ss, continuous feed, with 5/8 HP. motor, stainless steel grinding elements with two stainless steel 360° swivel lugs. Exclusive self-service wrench.

Warranty

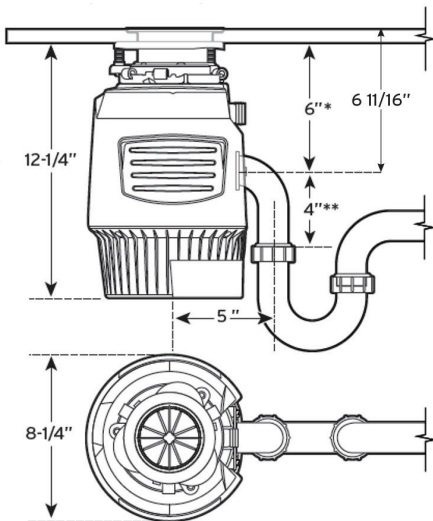
8-Year We Come to You[®] Limited In Home Warranty

* The complete InSinkEratore warranty is included in the Care & Use Booklet packed with each unit.

Specifications

Type of Feed	Continuous
On/Off Control	Wall Switch
Motor	Single Phase
HP	5/8
Volts	120
HZ	60
RPM	1725
Amp. (Avg. Load)	7.6
Time Rating	Intermittent
Lubrication	Permanently Lubricated Upper & Lower Bearings
Shipping Weight (Approx.)	18.4 lb.
Overall Height	12.25"
Motor Protection	Automatic Reset
Average Water Usage	Approx. 1 Gallon per Person Per Day
Average Electrical Usage	3-4 KWH per Year
Drain Connection	1-1/2" cushioned slip joint
Dishwasher Drain Connection	Yes

Dimensions



Job Specifications



Food waste is roughly 80% water. By using your disposal regularly, you can help divert food waste from landfills and reduce greenhouse gas emissions. Make sustainability a family affair by using your disposal. After all, the smallest changes can make the biggest impact.



1-800-558-5700
www.insinkerator.com