



Liberty Furniture
INDUSTRIES, INC

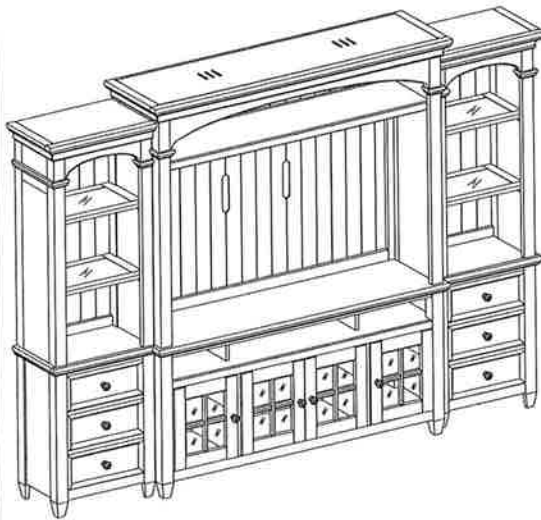
LIBERTY FURNITURE

ASSEMBLY INSTRUCTION



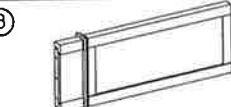







ITEM#: 824-EC68 / TV66 / EL78 / ER78

DESCRIPTION : ENTERTAINMENT HUTCH
ENTERTAINMENT TV STAND
LEFT PIER
RIGHT PIER




Thank you for purchasing this quality product. Be sure to check all packing material carefully for small Hardware which may have come loose inside the carton during shipment. Identify and count all Hardware and compare with the Hardware List Below.









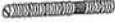
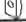







Hutch Parts List

① 	② 
Light Bridge : 1pc	Adjustable Shelf : 1pc
③ 	④ 
LSF Frame : 1pc	RSF Frame : 1pc
⑤ 	⑥ 
Top Back Rail : 1pc	Bottom Back Rail : 1pc
⑦ 	⑧ 
Top Back Rail Support : 1pc	Bottom Back Rail Support : 1pc
⑨ 	⑩ 
Side Back Panel Frame : 2 pcs	Center Back Panel Frame : 1pc

Parts List

Description	
 Glass Shelf : 2pcs	 Glass Shelf : 2pcs
Left Pier : 1pc	Right Pier : 1pc
	
TV Stand : 1pc	

Assembly Hardware Pack

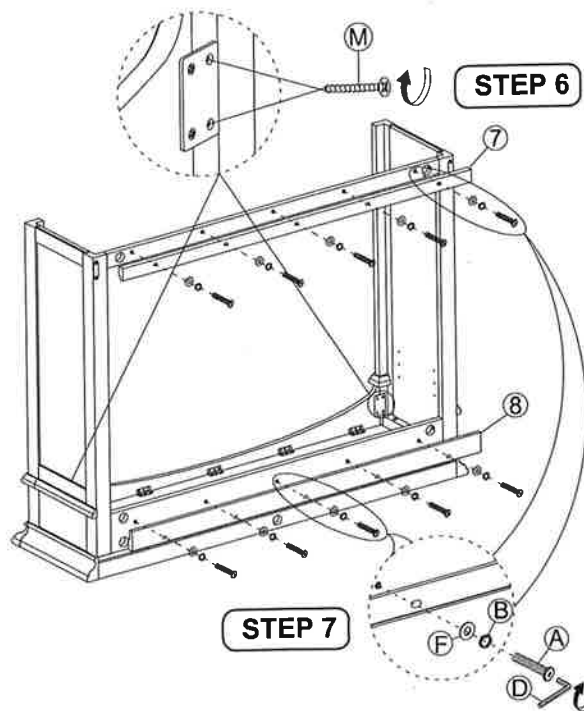
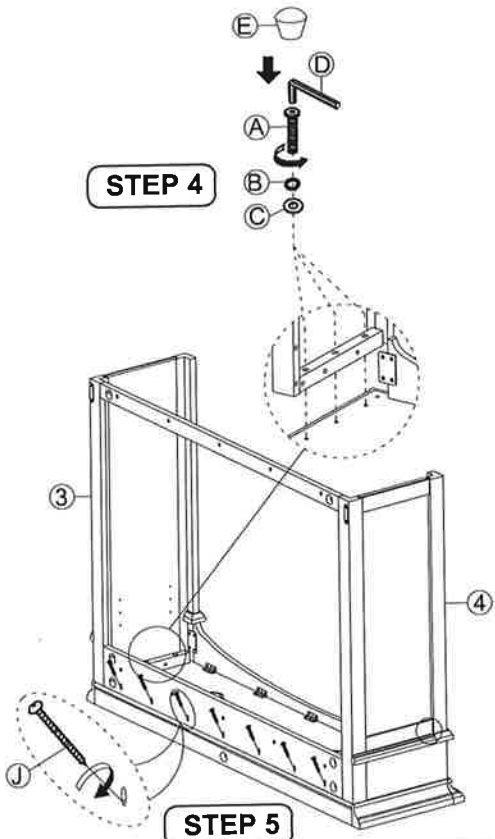
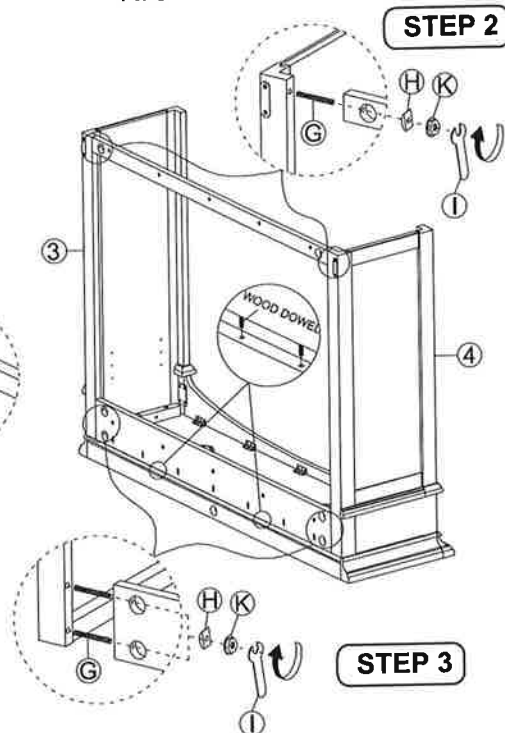
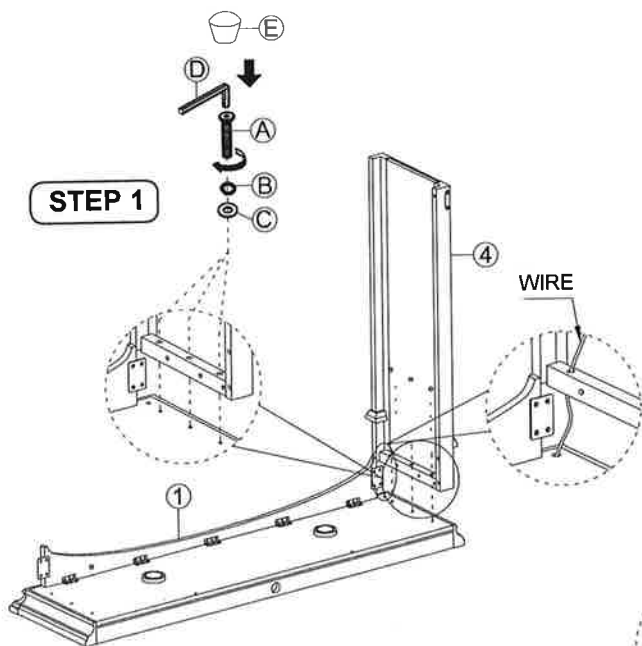
⑪			
No.	Description	Hardware	Qty.
(A)	JCBC Screw Ø1/4" x 40mm		22 pcs
(B)	Spring Washer Ø1/4"		22 pcs
(C)	Flat Washer Ø1/4" x 13mm		6 pcs
(D)	Allen Key M4		1 pc
(E)	Wood Cap		6 pcs
(F)	Flat Washer Ø1/4" x 19mm		16 pcs
(G)	Hanger Bolt Ø5/16" x 89mm		6 pcs
(H)	Round Half Washer Ø5/16"		6 pcs
(K)	Hange nut Ø5/16"		6 pcs
(I)	Wrench		1 pc
(J)	PH Screw M4 x 32mm		7 pcs
(M)	CBS Screw M4 x 20mm		4 pcs
(N)	CBS Screw M3.5 x 12mm		4 pcs
(O)	Shelf Pin		4 pcs
(P)	Tipping Restraint		1 Set

LIBERTY FURNITURE

ASSEMBLY INSTRUCTION

ITEM#: 824-EC68 / TV66 / EL78 / ER78

DESCRIPTION : ENTERTAINMENT HUTCH
ENTERTAINMENT TV STAND
LEFT PIER
RIGHT PIER





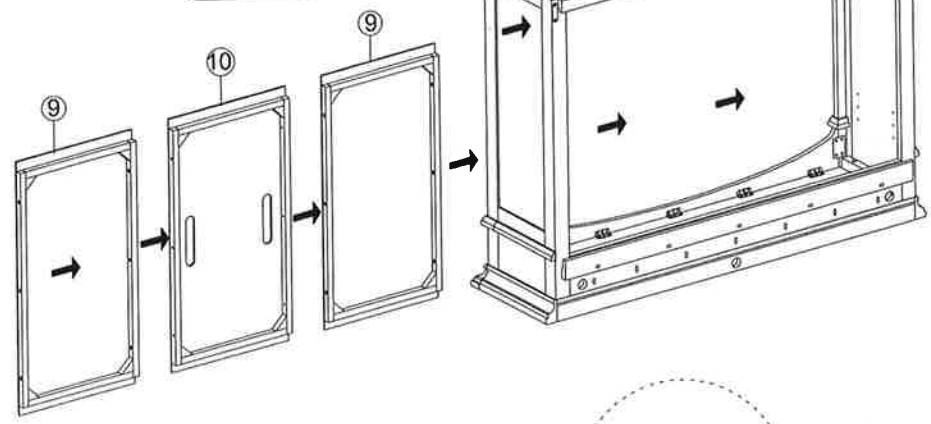
LIBERTY FURNITURE

ASSEMBLY INSTRUCTION

ITEM#: 824-EC68 / TV66 / EL78 / ER78

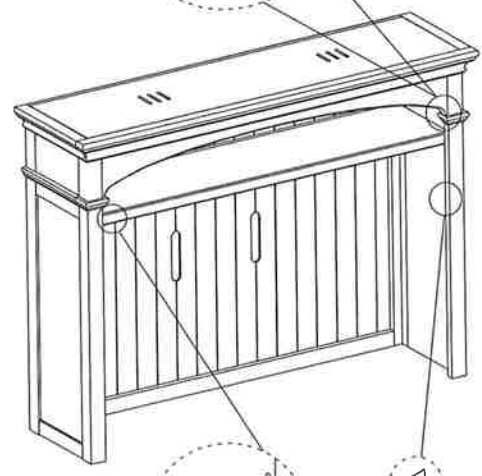
DESCRIPTION : ENTERTAINMENT HUTCH
ENTERTAINMENT TV STAND
LEFT PIER
RIGHT PIER

STEP 8

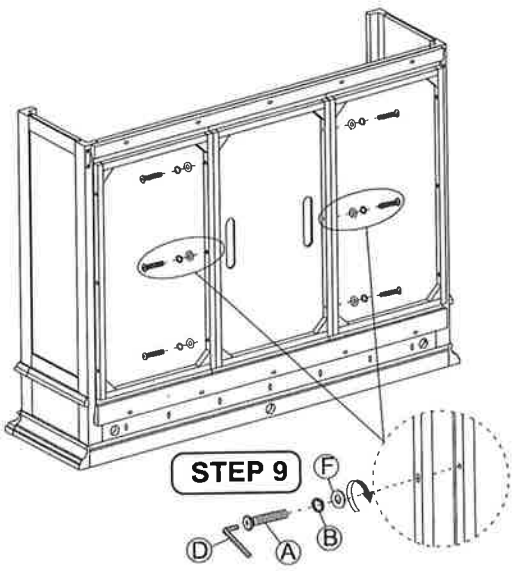


PLUG TO CONECT

STEP 11

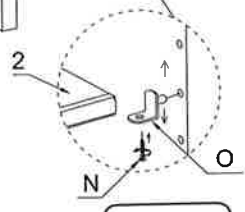


STEP 9



TOUCH SWITCH TO CONTROL THE LIGHT MODES

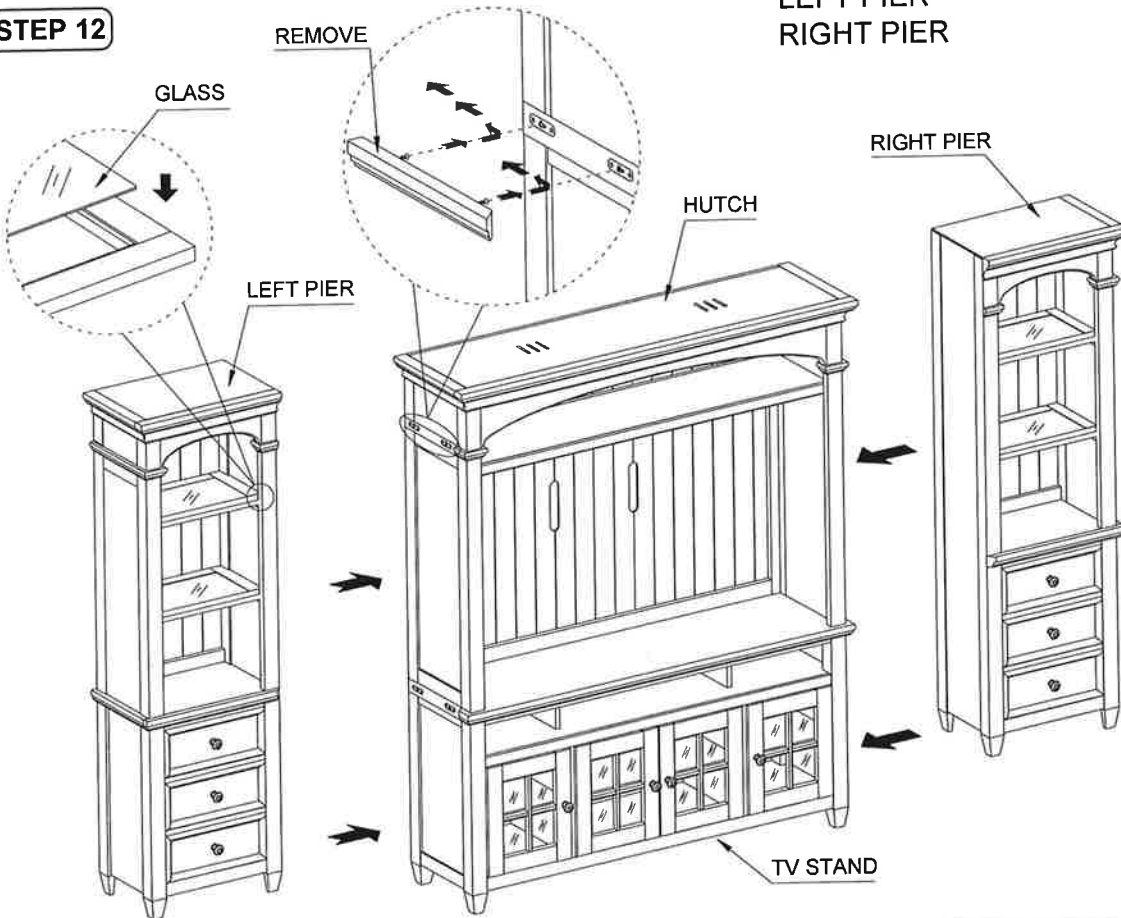
STEP 10



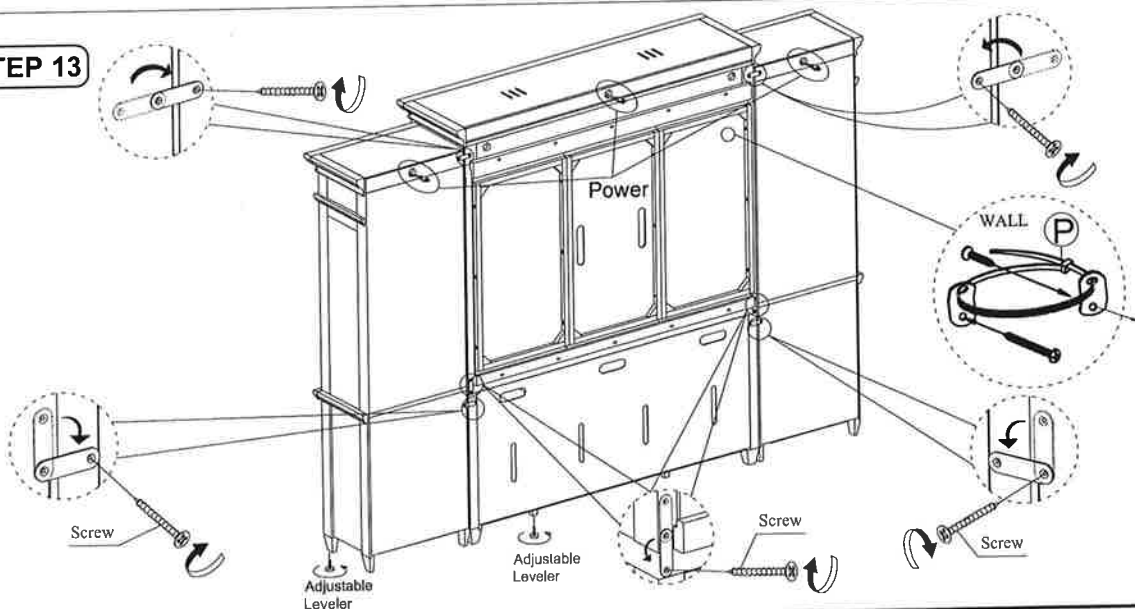
ITEM#: 824-EC68 / TV66 / EL78 / ER78

DESCRIPTION : ENTERTAINMENT HUTCH
ENTERTAINMENT TV STAND
LEFT PIER
RIGHT PIER

STEP 12



STEP 13





Liberty Furniture
INDUSTRIES, INC



LIBERTY FURNITURE


ASSEMBLY INSTRUCTION

DESCRIPTION : LEFT PIER

ITEM#: 824-EL78

Thank you for purchasing this quality product. Be sure to check all packing material carefully for small Hardware which may have come loose inside the carton during shipment. Identify and count all Hardware and compare with the Hardware List Below.

Parts List		
No.	Description	Qty.
①	Left Pier 	1 Pc
②	Glass Shelf 	2 Pcs

Assembly Hardware Pack			
③			
No.	Description	Hardware	Qty.
Ⓐ	Tipping Restraint		1 Set

