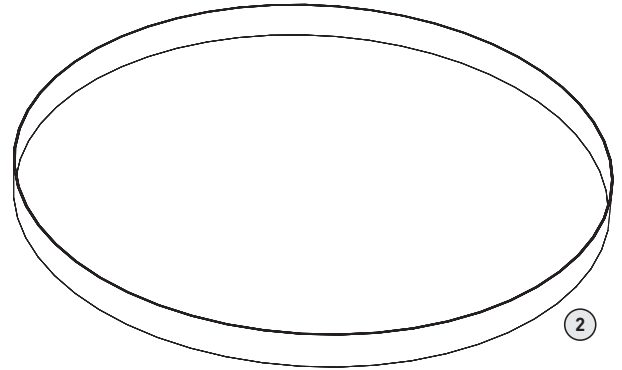
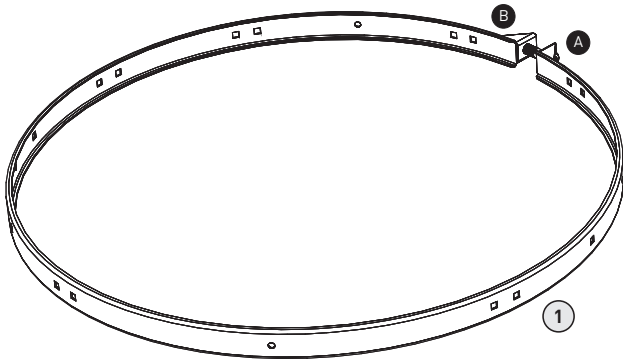
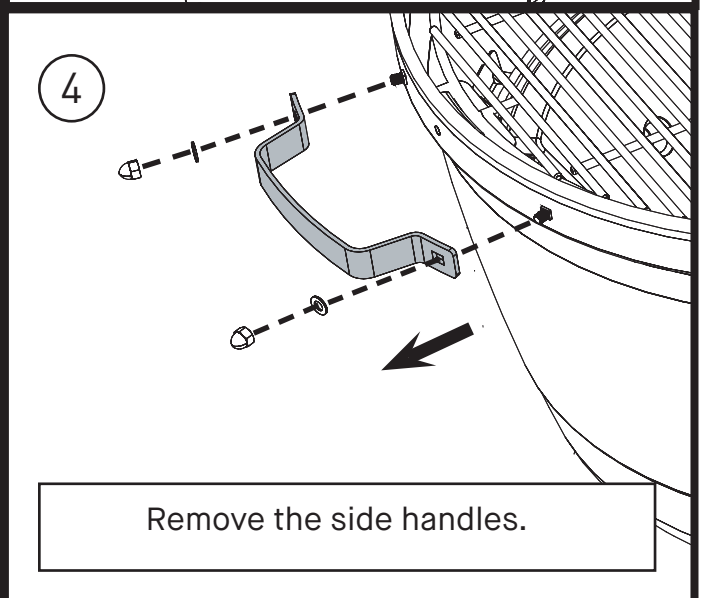
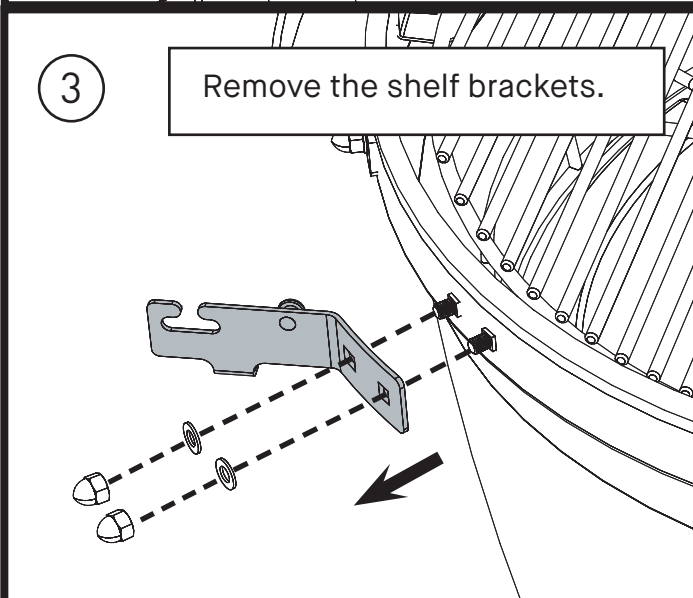
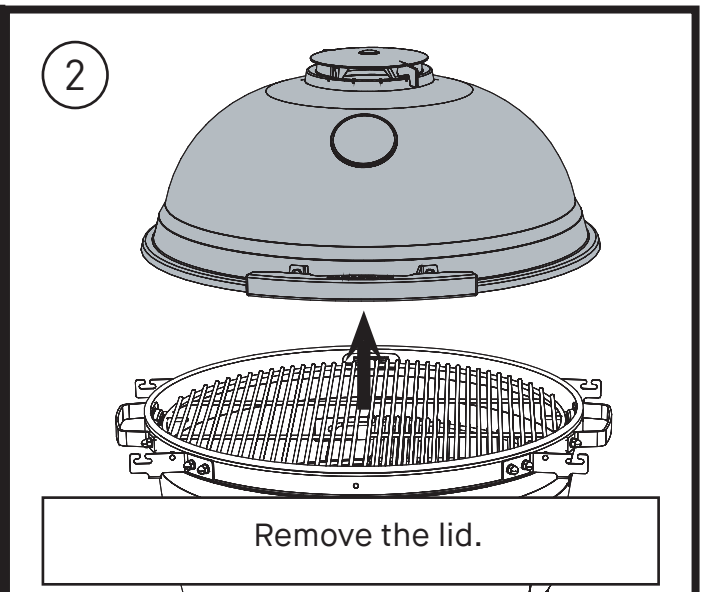
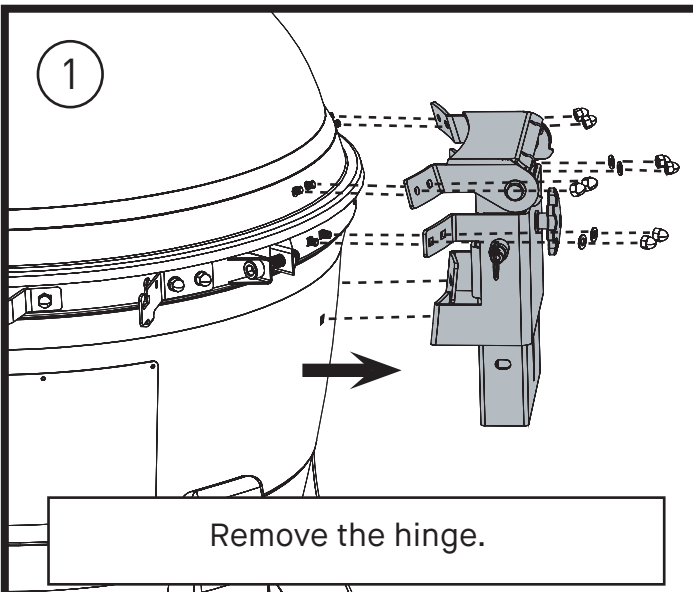


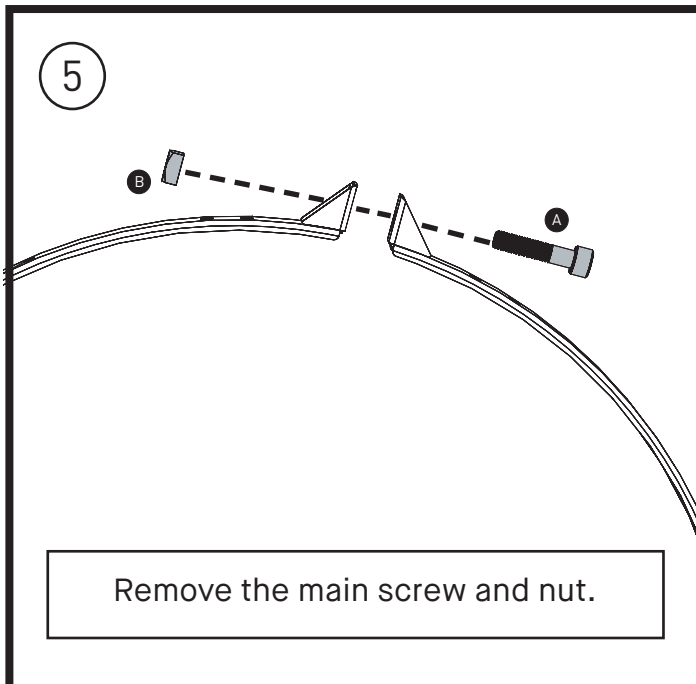
## KETTLE JOE BAND KIT

### CGK22HG1 9904190014

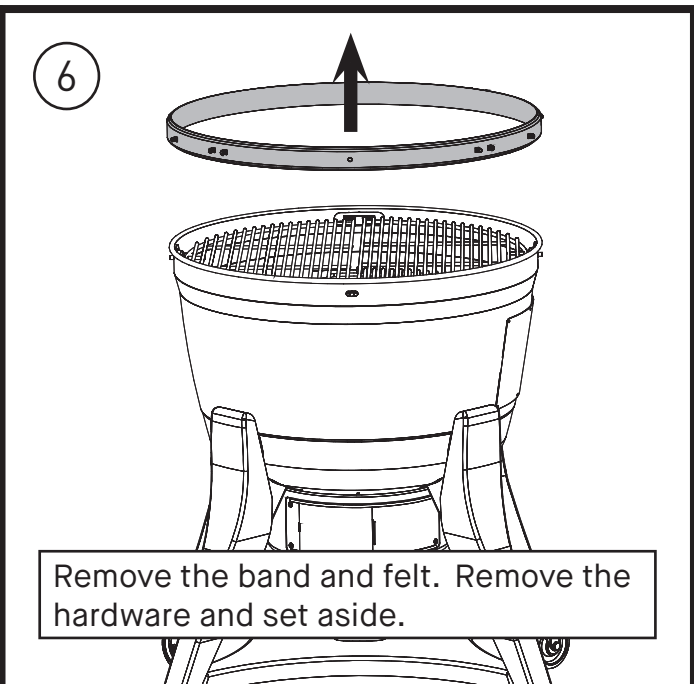


Before installing the new band, remove your hinge, old bands, handles, shelf brackets and hardware. You will have to re-use your old hardware on the new band installation.

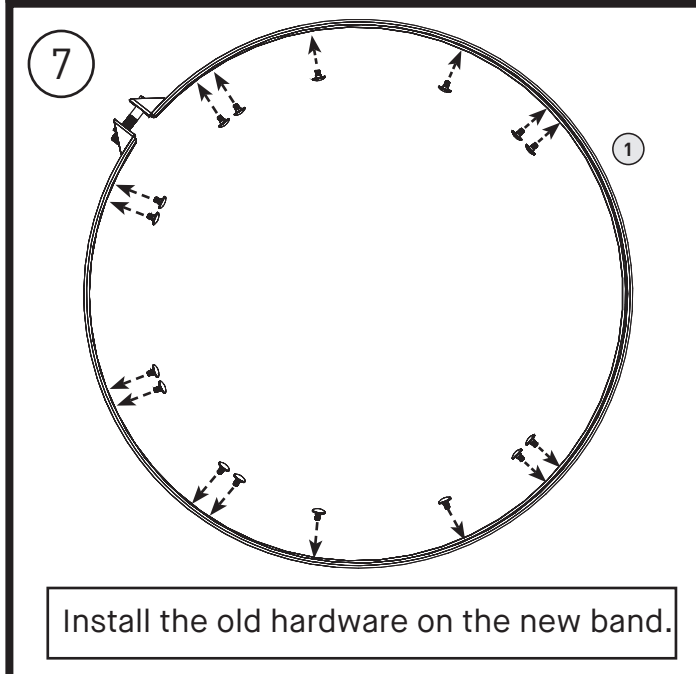




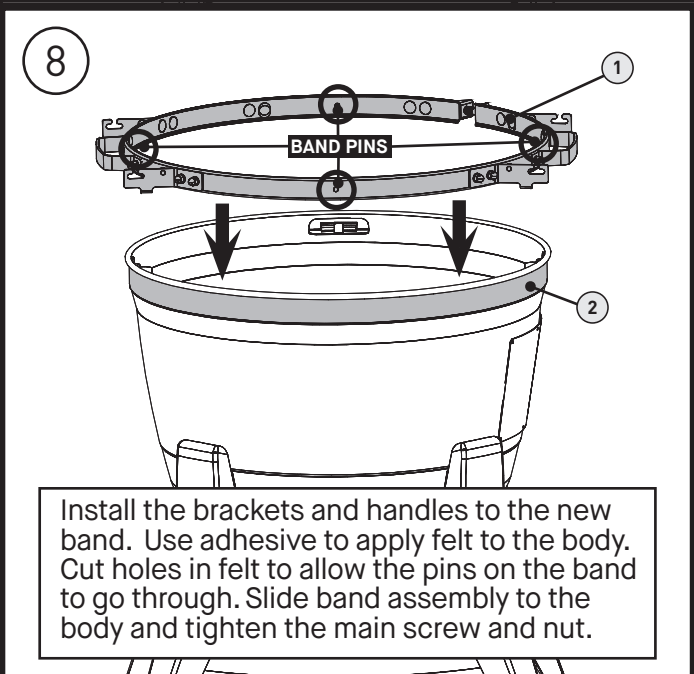
5  
Remove the main screw and nut.



6  
Remove the band and felt. Remove the hardware and set aside.

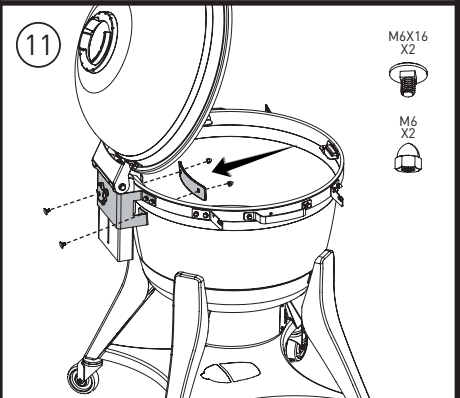
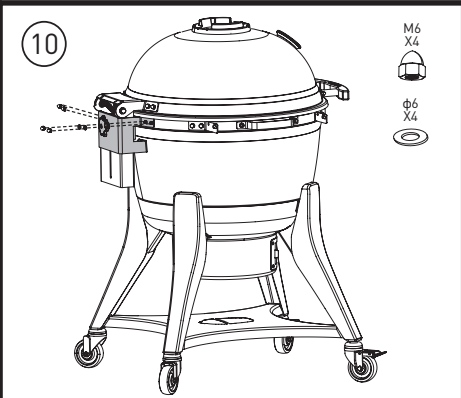
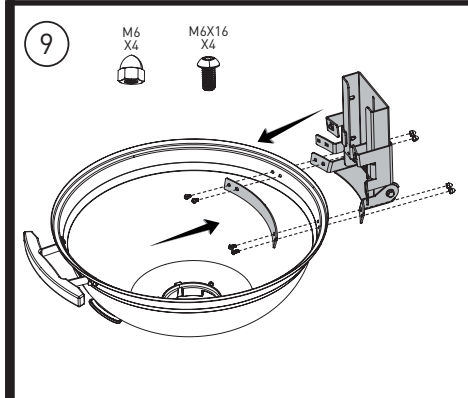


7  
Install the old hardware on the new band.



8  
Install the brackets and handles to the new band. Use adhesive to apply felt to the body. Cut holes in felt to allow the pins on the band to go through. Slide band assembly to the body and tighten the main screw and nut.

**FOLLOW STEPS 9-11 FOR RE-ASSEMBLY OF THE HINGE AND LID TO THE GRILL**



**KAMADOJOE®**