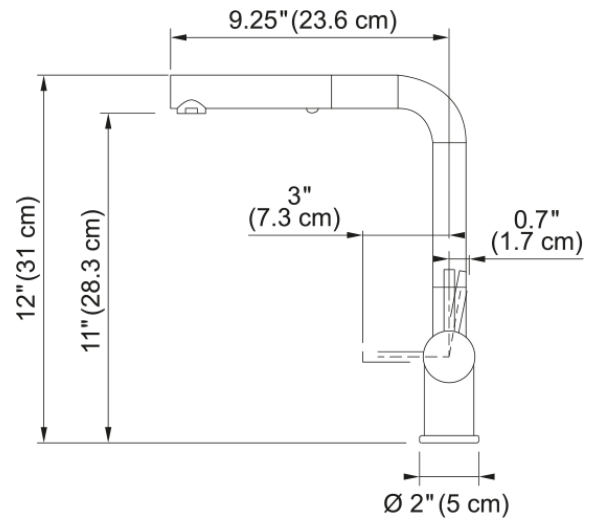


Active Pull-Out Faucet - ACT-PO-OYS | 115.0656.853



12.25-inch Single Handle Pull-Out Faucet in Oyster. Delivering exceptional functionality, our Active faucets are designed for improved sustainability, actively saving water and energy. The laminar aerator fitted in the spout ensures the Active Taps delivers a crystal clear, non-splashing water stream with very little noise. At the same time, the stepped lever and ECO cartridge helps you use less water, reducing your environmental impact. The dual-function spray head delivers a more powerful stream thanks to the needle spray. ADA Compliant This model replaces the FFPS5804OYS Faucet

Aspect

Spout type	L - spout
Color	Bi-chrome/oyster
Type of material	Brass
Flexible pullout hose material	Nylon grey
Spray head material	Brass

Product Dimensions

Faucet hole diameter	35 mm
Cartridge dimension	35 mm

Installation

Mounting type	Shank
Water supply hose connection	1/2"
Water supply hose length	450 mm

Product specifications

Pressure	High pressure
Faucet type	Spray
Faucet operation	Side lever
Faucet rotation	180°

Product identification

Product brand	FRANKE
Product family	Maris
Collection	Active

Features

Water saving feature	Yes
Type of aerator	Laminar