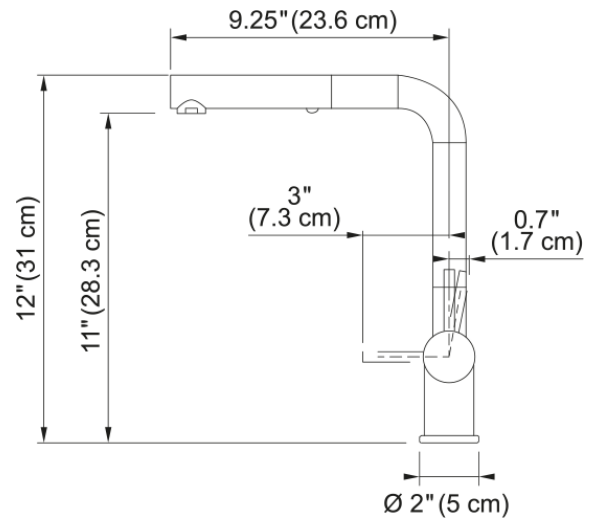


Active Pull-Out Faucet - ACT-PO-PWT | 115.0656.851



Active Plus 12.25-inch Single Handle Pull-Out Faucet in Polar White Delivering exceptional functionality, our Active faucets are designed for improved sustainability, actively saving water and energy. The laminar aerator fitted in the spout ensures the Active Taps delivers a crystal clear, non-splashing water stream with very little noise. At the same time, the stepped lever and ECO cartridge helps you use less water, reducing your environmental impact. The dual-function spray head delivers a more powerful stream thanks to the needle spray. This model replaces the FFPS5808PWT Faucet

Aspect

| | |
|--------------------------------|-----------------------|
| Spout type | L - spout |
| Color | Bi-chrome/polar white |
| Type of material | Brass |
| Flexible pullout hose material | Nylon grey |
| Spray head material | Brass |

Product Dimensions

| | |
|----------------------|-------|
| Faucet hole diameter | 35 mm |
| Cartridge dimension | 35 mm |

Installation

| | |
|------------------------------|--------|
| Mounting type | Shank |
| Water supply hose connection | 1/2" |
| Water supply hose length | 450 mm |

Product specifications

| | |
|------------------|---------------|
| Pressure | High pressure |
| Faucet type | Spray |
| Faucet operation | Side lever |
| Faucet rotation | 180° |

Product identification

| | |
|----------------|--------|
| Product brand | FRANKE |
| Product family | Maris |
| Collection | Active |

Features

| | |
|----------------------|---------|
| Water saving feature | Yes |
| Type of aerator | Laminar |