



**36" SELF-CONTAINED BACK BAR REFRIGERATOR**  
1 Door



BBS36-SS-L-STK

JOB
AREA
ITEM NO.
MODEL NO.

<b>Model</b>
<b>BBS36-SS-L-STK</b>

**KEY PRODUCT FEATURES AND BENEFITS**

- Stainless steel interior and top standard on all Perlick back bar refrigeration for long life durability and easy to clean hygienic storage
- 2" Foamed-in-place insulation provides energy savings using Ecomate(tm), a blowing agent that has zero-ozone depletion and zero global warming potential
- NSF/ANSI Standard 7 Listed for open food, beverage, and garnish storage
- End wall compressor and evaporator design increases storage capacity by 14% compared to top mounted designs
- Anti-sweat heaters prevent condensation from forming, extending door gasket life and protecting flooring below from damage or slip hazards

**Quick Features**

- Integrated door and drawer locks standard on all units
- Refrigerator temperature range 34-42F°, factory set to 38F°
- NSF rated digital controller allows for easy and precise temperature changes
- 6000K white LED lighting
- 1 Year Parts and Labor Warranty, 5 Year Compressor Warranty



**36" SELF-CONTAINED BACK BAR REFRIGERATOR**  
1 Door

MODEL NUMBERS		BBS36-SS-L-STK
NUMBER OF COMPARTMENTS/DOORS		1
EXTERIOR CABINET DIMENSIONS	Length - in. (mm)	36 (914)
	Depth - in. (mm)	24¾ (629)
	Height - in. (mm)	34⅞ (878)
INTERIOR CABINET DIMENSIONS	Length - in. (mm)	20 (508)
	Depth - in. (mm)	18¾ (476)
	Height - in. (mm)	28½ (724)
INTERNAL VOLUME Net. Cu. Ft. (Litres)		7.4 (210)
PRODUCT CAPACITY	CASE PACK - 12 OZ. BOTTLE/CAN	182/273
	STAGGERED - 12 OZ. BOTTLE/CAN	196/292
SHIPPING WEIGHT Lbs. (kg.)		254 (115)
ELECTRICAL SPECIFICATIONS	Electrical Supply	120 VAC/60 Hz/1 Ph
	Running Load Amps	1.8
	Electrical Connection	Cord connected
	Cord Plug Type	NEMA 5-15
	Cord Length	6'5"
	Defrost Initiation	Automatic
	Defrost Type	Off cycle
	Thermostat	Digital control
	Lighting Type	LED
REFRIGERATION SPECIFICATIONS	Horsepower	1/6
	Refrigerant	R290
	Refrigerant Charge (grams)	90
	Total Heat Rejection at 75F ambient (BTU/hr)	900
	Factory Temperature Setting - Refrigerator F (C)	38° (3.3°)
	Temperature Range - Refrigerator F (C)	33°-40° (0.5°-4.5°)
	Condensing Unit Location	Left
	Expansion Device	Capillary tube
	Pull-Out Condensing Unit	Yes
	Front Vented	Yes
PLUMBING		None required

**! WARNING: California Prop 65 Notice**

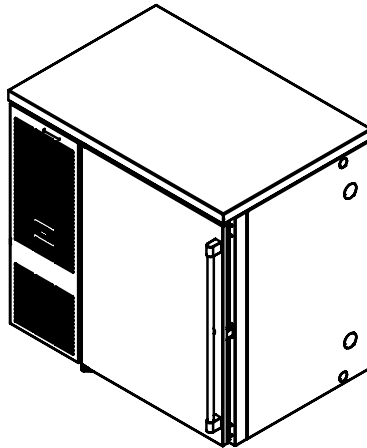
These products may expose you to chemicals including Chromium, which are known to the state of California to cause cancer and birth defects or other reproductive harm. For more information on whether a product in this list contains these chemicals, please refer to the specific product page at [perlick.com](http://perlick.com). Or to find out more about Prop 65, go to [P65Warnings.ca.gov](http://P65Warnings.ca.gov).

Form No. Z2904  
Rev. 10.03.23



**36" SELF-CONTAINED BACK BAR REFRIGERATOR**  
**1 Door**

Note: Open floor drain not provided on models intended for non-packaged food.  
 Maximum of 2 drawer compartments available on BBS84 and BBS108 models. Three drawer compartments shown only for dimensional purposes.



**BBS36**  
 UNIT LEFT

