



LOW HEIGHT SELF-CONTAINED BACK BAR REFRIGERATOR
 1-, 2-, 3- and 4-Door



BBSLP60 with stainless steel door shown

JOB	
AREA	
ITEM NO.	
MODEL NO.	

MODELS	
BBSLP36	1-Door Model
BBSLP60	2-Door Model
BBSLP84	3-Door Model
BBSLP108	4-Door Model

NSF/ANSI Standard 7 Listed for open food storage.
 Note: Models furnished with wine temperature are listed for the storage and display of bottled and canned products only.

MODEL NUMBERS - BBSLP36, BBSLP60, BBSLP84, BBSLP108

KEY PRODUCT FEATURES AND BENEFITS

- Low Profile 29" total height, designed for areas where space constraints do not allow for a standard height
- Stainless steel interior and top standard on all Perlick Back Bar refrigeration for long life durability and easy to clean hygienic storage
- 2" Foamed-in-place insulation provides energy savings using Ecomate(tm), a blowing agent that has zero-ozone depletion and zero global warming potential
- NSF/ANSI Standard 7 Listed for open food, beverage, and garnish storage
- End wall compressor and evaporator design increases storage capacity by 14% compared to top mounted designs
- Anti-Sweat heaters in cabinet face prevents condensation from forming on door, extending door gasket life and protecting flooring below from damage or slip hazards
- Multiple door styles available in any compartment
 - Choose between Glass, Stainless-Steel, Black Vinyl, or Customer Provided Overlay
 - Drawers not available on low profile models

Quick Features:

- Integrated door locks standard on all units
- Choose compressor mounted on left or right side of cabinet to match your space
- NSF Rated digital controller allows for easy and precise temperature changes
- Choose between three temperature ranges
 - Refrigerator (34°F-42°F) Factory set to 38°F
 - White Wine (40°F-65°F) Factory set to 45°F
 - Red Wine (40°F-65°F) Factory set to 60°F
- Choose between 6000K white LED lighting or cool blue display lighting
- Choose between Full Length, 6" Chrome, or pull tab style handles
- Choose between flat shelving and wine racks for each compartment
- 1 Year Parts and Labor Warranty, 5 Year Compressor Warranty



LOW HEIGHT SELF-CONTAINED BACK BAR REFRIGERATOR
 1-, 2-, 3- and 4-Door

MODEL NUMBERS - BBSLP36, BBSLP60, BBSLP84, BBSLP108

MODEL NUMBERS		BBSLP36	BBSLP60	BBSLP84	BBSLP108
NUMBER OF COMPARTMENTS		1	2	3	4
EXTERIOR CABINET DIMENSIONS	Length - in. (mm)	36 (914)	60 (1524)	84 (2134)	108 (2743)
	Depth - in. (mm)	24¾ (629)	24¾ (629)	24¾ (629)	24¾ (629)
	Height - in. (mm)	29 (736)	29 (736)	29 (736)	29 (736)
INTERIOR CABINET DIMENSIONS	Length - in. (mm)	20 (508)	44 (1118)	68 (1727)	92 (2337)
	Depth - in. (mm)	18¾ (476)	18¾ (476)	18¾ (476)	18¾ (476)
	Height - in. (mm)	25⅞ (646)	25⅞ (646)	25⅞ (646)	25⅞ (646)
INTERNAL VOLUME Net. Cu. Ft. (Litres)		6.2 (176)	13.3 (377)	20.7 (586)	27.9 (790)
PRODUCT CAPACITY	CASE PACKED - 12 OZ. BOTTLE/CAN	98/196	238/448	371/721	504/973
	STAGGERED - 12 OZ. BOTTLE/CAN	112/220	268/268	420/812	572/1100
SHIPPING WEIGHT Lbs. (kg.)		223 (101)	300 (136)	431 (195)	590 (267)
ELECTRICAL SPECIFICATIONS	Electrical Supply	120 VAC/60 Hz/1 Ph	120 VAC/60 Hz/1 Ph	120 VAC/60 Hz/1 Ph	120 VAC/60 Hz/1 Ph
	Running Load Amps	1.8	2.5	4.2	4.2
	Electrical Connection	Cord connected	Cord connected	Cord connected	Cord connected
	Cord Plug Type	NEMA 5-15	NEMA 5-15	NEMA 5-15	NEMA 5-15
	Cord Length	6'5"	6'5"	6'5"	6'5"
	Defrost Initiation	Automatic	Automatic	Automatic	Automatic
	Defrost Type	Off cycle	Off cycle	Off cycle	Off cycle
	Thermostat	Digital control	Digital control	Digital control	Digital control
	Lighting Type	LED	LED	LED	LED
REFRIGERATION SPECIFICATIONS	Horsepower	1/6	1/5	1/4	1/4
	Refrigerant	R290	R290	R290	R290
	Refrigerant Charge (grams)	90	100	90	90
	Heat Rejection at 75F	900	1900	1900	2300
	Factory Temperature Setting - Refrigerator F (C)	36° (2.2°)	36° (2.2°)	36° (2.2°)	36° (2.2°)
	Temperature Range - Refrigerator F (C)	33°-46° (0.5°-7.7°)	33°-46° (0.5°-7.7°)	33°-46° (0.5°-7.7°)	33°-46° (0.5°-7.7°)
	Factory Temperature Setting - White Wine F (C)	45° (7.2°)	45° (7.2°)	45° (7.2°)	45° (7.2°)
	Factory Temperature Setting - Red Wine F (C)	60° (15.5°)	60° (15.5°)	60° (15.5°)	60° (15.5°)
	Temperature Range - Wine F (C)	40°-65° (4.4°-18.0°)	40°-65° (4.4°-18.0°)	40°-65° (4.4°-18.0°)	40°-65° (4.4°-18.0°)
	Condensing Unit Location	Left or Right	Left or Right	Left or Right	Left or Right
	Expansion Device	Capillary tube	Capillary tube	Capillary tube	Capillary tube
	Pull-Out Condensing Unit	Yes	Yes	Yes	Yes
	Front Vented	Yes	Yes	Yes	Yes

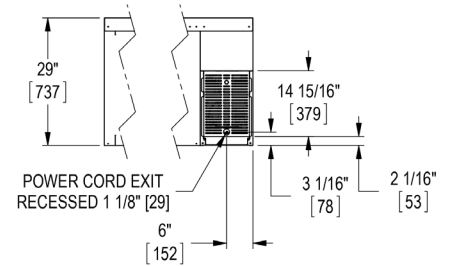
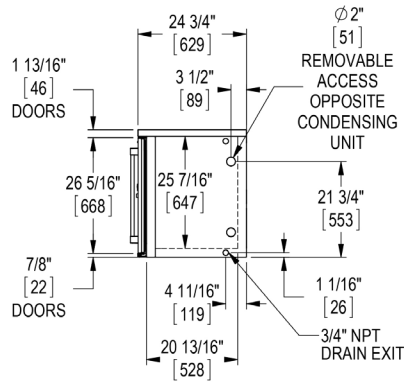
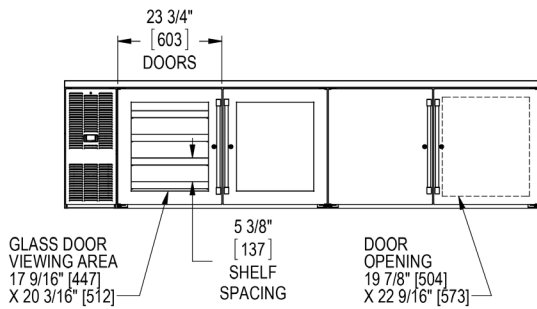
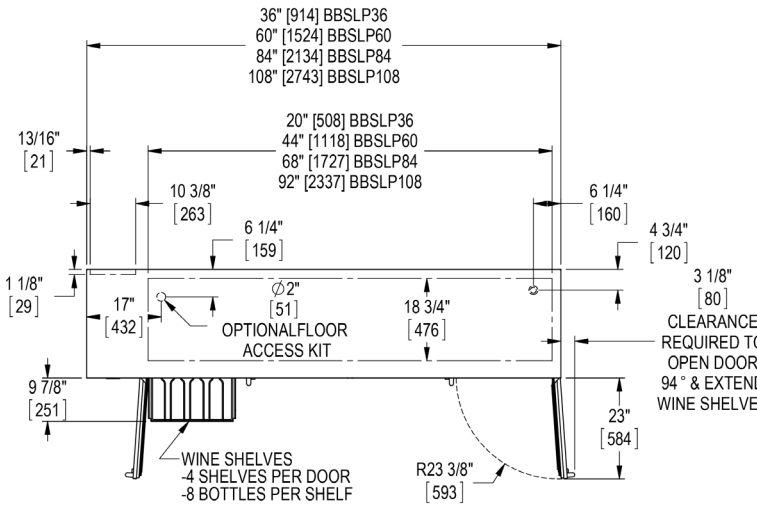
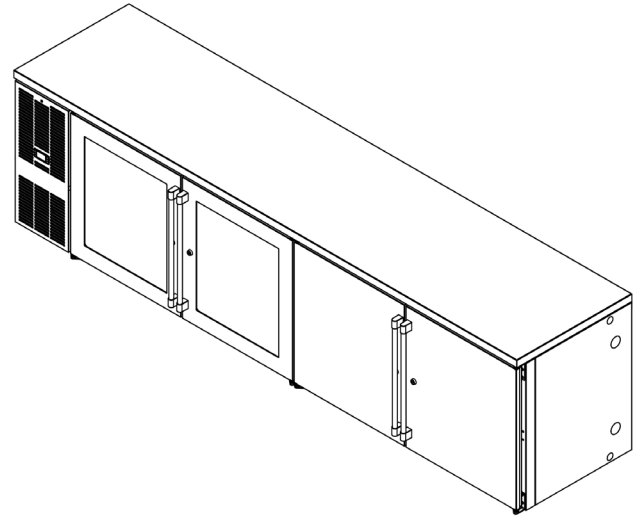
Wine Temperature refrigerators do not carry NSF Rating for open food storage.
 Wine Temperature units are NSF certified for non-potentially hazardous bottled and canned beverage storage.



LOW HEIGHT SELF-CONTAINED BACK BAR REFRIGERATOR
1-, 2-, 3- and 4-Door

Note: Open floor drain not provided on models intended for non-packaged food.

Low Height Self-Contained Back Bar



! WARNING: California Prop 65 Notice

These products may expose you to chemicals including Chromium, which are known to the state of California to cause cancer and birth defects or other reproductive harm. For more information on whether a product in this list contains these chemicals, please refer to the specific product page at perlick.com. Or to find out more about Prop 65, go to P65Warnings.ca.gov.

Form No. Z2427
Rev. 09.08.23