



UNDERCOUNTER REFRIGERATOR DRAWER

FDUI

PROFESSIONAL FEATURES

- 5.0 cu. ft. capacity stores up to 108 cans (12-oz.)
- Adjustable divider is included in both drawers to prevent contents from sliding
- Dynamic cooling technology delivers rapid cool down, frost-free operation, and temperature stability
- Digital controls allow temperature selections from 33° F to 70° F
- Door ajar and high/low temperature alerts
- Adjustable LED theater-style lighting in arctic white or sapphire blue
- Stainless Steel interior
- Soft-close drawer glides
- Accepts 3/4" or 5/8" custom panels or accessory door panel kits



FDUI5242D

MODEL NUMBER

- FDUI5242D – Undercounter Refrigerator Drawer, Solid Panel Ready

ACCESSORIES

- PDPUD524SS – Professional Door Panel, Stainless Steel
- CDPUD524SS – Classic Door Panel, Stainless Steel

DESIGN OPTIONS

- Choice of two accessory door panel kits for each unit
 - Professional Door Panel features the iconic Viking handle for true design integrity
 - Classic Door Panel features a slim handle that coordinates with any kitchen design

WARRANTY

- 2-year full covers complete unit
- 90-day full – cosmetic parts such as glass, painted items, and decorative items
- 6-year full – sealed refrigeration system



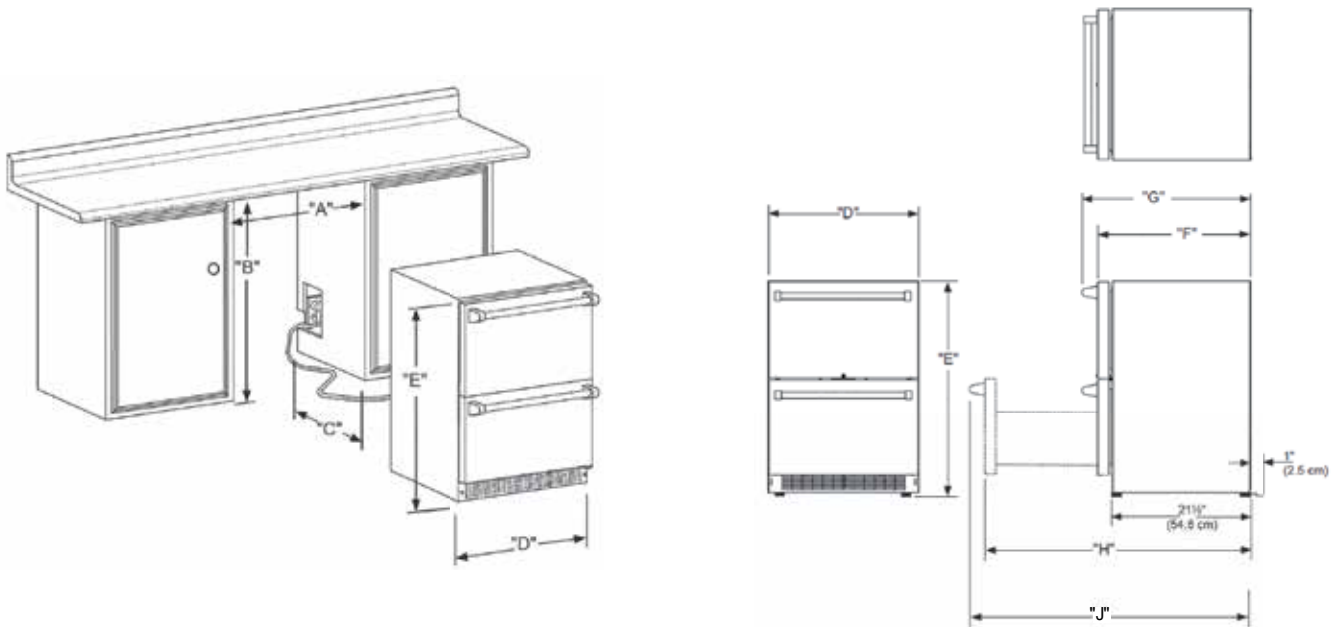
UNDERCOUNTER REFRIGERATOR DRAWER

Viking 5 Series – FDUI

24" W. UNDERCOUNTER/FREESTANDING REFRIGERATOR DRAWER	
DESCRIPTION	FDUI5242D
Overall Width	23-7/8" (60.7 cm)
Overall Height	33-3/4" min – 34-3/4" max (85.7 cm to 88.3 cm)
Overall Depth from Rear	To front of door: 23-5/8" (60.2 cm) To handle: 26-1/8" (66.4 cm) With drawer extended: 39-3/16" (99.5 cm)
Electrical Requirements	115V/60Hz/15A
Maximum Amp Usage	3.0 amps
Maximum Storage Capacity	5.0 cu. ft.
Cord Length	6 ft
Interior Finish	Stainless Steel
ENERGY STAR	Yes
Capacity: Can (12-oz.)	108
Capacity Volume	5.0 cu. ft.
Toe Grille Finish	Black
Control Type	Digital
Refrigerant Type	R600a
Sabbath Mode	Yes
Temperature Range	33° F to 70° F
Shipping Dimensions	28" W. x 31" D. x 37" H.
Approximate Shipping Weight	180 lbs.

Please do not prepare installation from brochure data only. See installation instructions for important clearance/installation information.

Rough-In Opening Dimensions			Cabinet Dimensions					
A	B	C	D	E	F	G	H	J
24" (61 cm)	34" to 35" (86.4 to 88.9 cm)	24" (61 cm)	23-7/8" (60.7 cm)	33-3/4" to 34-3/4" (85.7 to 88.3 cm)	23-5/8" (60.0 cm)	26-1/8" (66.4 cm)	39-3/16" (99.5 cm)	41-11/16" (105.9 cm)



VIKING RANGE, LLC 111 FRONT STREET GREENWOOD, MISSISSIPPI 38930 USA

For detailed product information, model numbers, or to request a quote call 1-888-845-4641 or visit vikingrange.com
© 2025 Viking Range, LLC All rights reserved. Specifications subject to change without notice.