

**Chimney extension
CHXTHDDW**

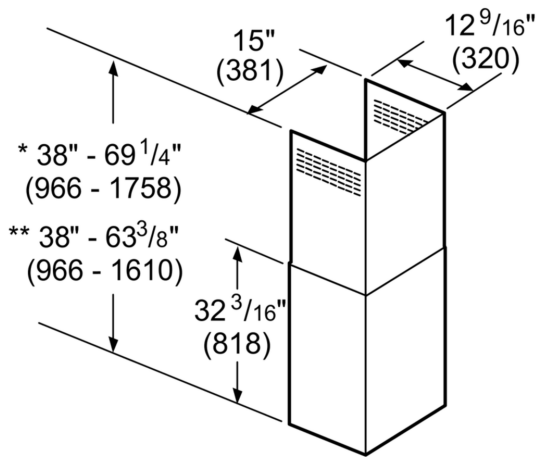


**Optional 9-12 foot ceilings chimney
extension kit for Masterpiece® HDDB drawer
chimney wall hood series**

Product group:Accessory
Brand:Thermador
Product name / series name:
SKU:CHXTHDDW
Internal article number:00000000000718483
EAN code:825225956266
Product Packaging Dimensions (HxWxD): 15 3/8" x 45 5/8" x 18 1/2"
Net Weight:25.000 lbs
Gross Weight:29.000 lbs
Quantity per packing unit:
Standard number of units per pallet:
UPC code:825225956266



**Chimney extension
CHXTHDDW**



- * Recirculating installation
- ** Ducted installation

measurements in inches (mm)