

CL4850SID/O



**FEATURES**

- Legacy product image shown; actual product varies slightly.

---

- Split Climate™ intelligent cooling system revolutionizes Sub-Zero's already-superior preservation capabilities, keeping food even fresher for longer

---

- ClearSight™ LED lighting system fully illuminates the interior and reduces shadows

---

- Sleek stainless accents trim the interior, matching the sophistication of the exterior

---

- Touch control panel is conveniently located for easy access at the tap of a finger

---

- Night Mode optimizes the interior lighting based on the detected ambient light, reducing the brightness by 90% in dim environments

---

- Lift the base of the flip-up dairy compartment to store taller items on the shelf below

---

- Delivers fresh, filtered water and ice through an internal dispenser located discreetly within the refrigerator

---

- Activate Max Ice Mode to temporarily increase ice production

---

- Wi-Fi enabled for convenient remote access using the Sub-Zero Group Owner's App

---

- Sub-Zero offers an industry-leading full two-year warranty on appliances, along with a full five-year sealed system warranty

**ACCESSORIES**

- 90° Door Stop

---

- Air Purification Cartridge

---

- Custom Front Panel Mounting Kit

---

- Custom Side Panel Mounting Kit

---

- Egg Container

---

- Grille Frame - 84"

---

- Stainless Steel Flush Inset Grille Panel

---

- Stainless Steel Side Panel

---

- Water Filter

---

- Stainless Steel Flush Inset Door and Drawer Panels with Pro Handle

---

- Stainless Steel Flush Inset Door and Drawer Panels with Tubular Handle

---

- Classic Stainless Steel Pro Louvered Grilles

---

- Stainless Steel Pro Handles

---

- Stainless Steel Tubular Handles

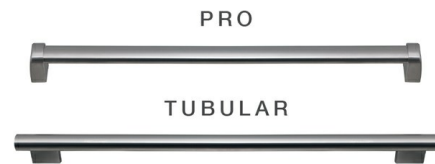
---

- Stainless Steel Kickplate

Accessories are available through an authorized dealer. For local dealer information, visit [subzero-wolf.com/locator](http://subzero-wolf.com/locator).



**HANDLE ACCESSORIES**



**PRODUCT DETAILS**

**REFRIGERATOR**

- 5 glass refrigerator shelves (4 adjustable; 1 stationary)
- 4 crisper drawers with removable dividers
- 5 refrigerator door bins (3 adjustable; 2 stationary)
- 1 flip-up dairy compartment
- Air purification system
- Internal ice and water dispenser
- LED refrigerator and freezer lights

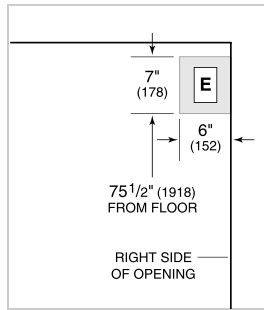
**FREEZER**

- 3 freezer shelves (2 adjustable; 1 stationary)
- 5 adjustable door bins
- 3 storage drawers
- Fold-up shelf
- Water filtration system

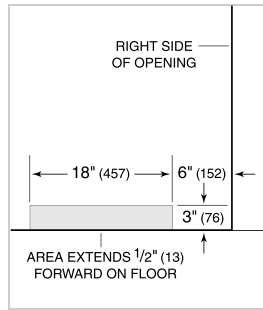
**PRODUCT SPECIFICATIONS**

Model	CL4850SID/O
Dimensions	48"W x 84"H x 24"D
Refrigerator Capacity	18.3 cu. ft.
Freezer Capacity	10.5 cu. ft.
Weight	705 lbs
Electrical Supply	115 VAC, 60 Hz
Electrical Service	15 amp dedicated circuit
Plumbing Supply	1/4" OD copper, braided stainless steel or PEX tubing
Plumbing Pressure	35–120 psi
Receptacle	3-prong grounding-type

**ELECTRICAL**



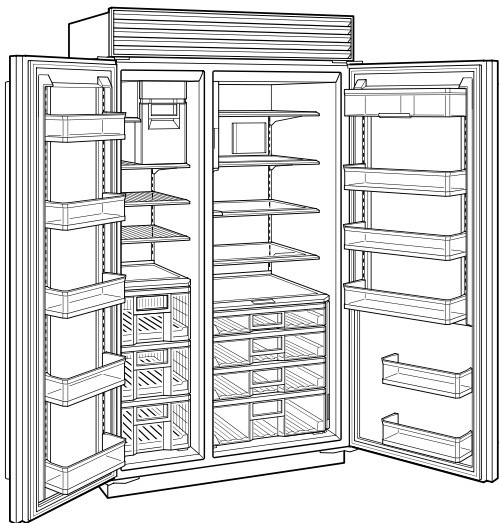
**PLUMBING**



**PANEL SPECIFICATIONS** For complete panels specifications including width/height, weight requirements, thickness requirements and offset details visit [subzero-wolf.com/builtinconfigurator](http://subzero-wolf.com/builtinconfigurator).

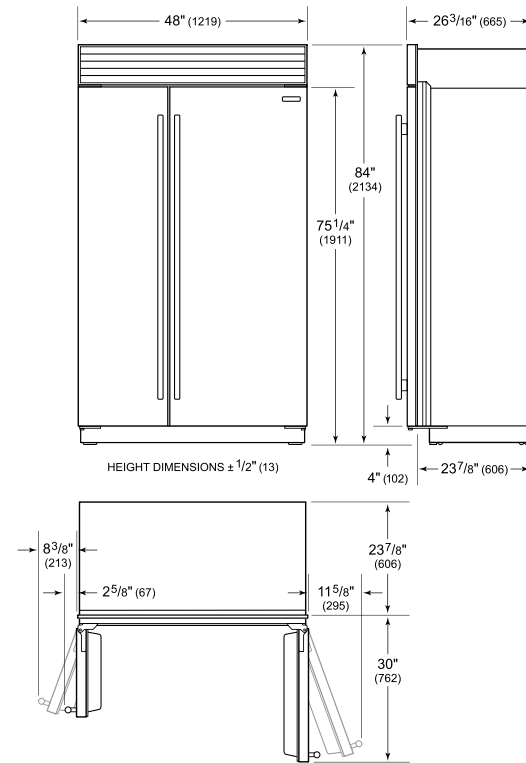
**NOTE:** Dimensions in parenthesis are in millimeters unless otherwise specified

**INTERIOR VIEW**

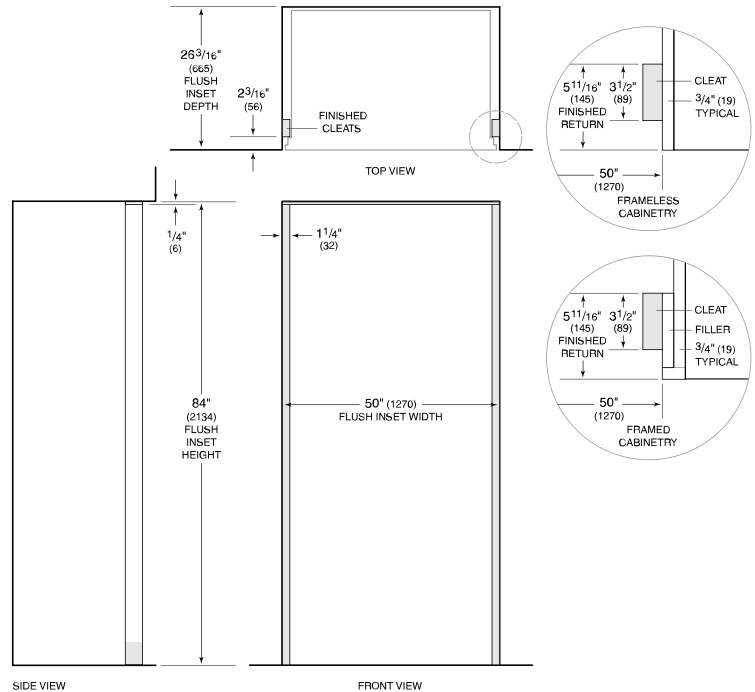


This illustration is intended for interior reference only and may not represent the exterior of the model being specified.

**DIMENSIONS**



**FLUSH INSET INSTALLATION**



**NOTE:** 3/2" (89) finished returns and shaded areas will be visible and should be finished to match cabinetry. Shaded line represents profile of unit with 3/4" (19) panel.