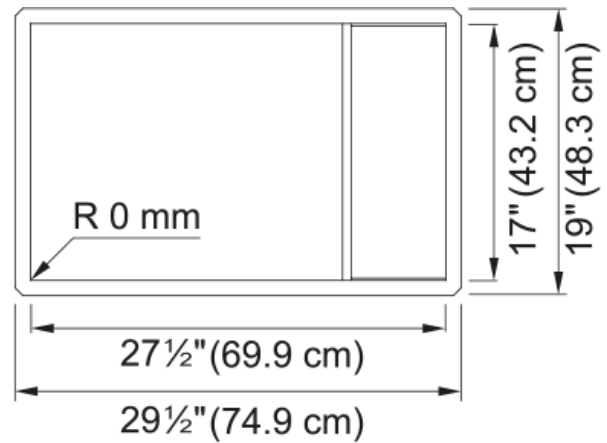


Crysta Undermount Sink- CLV110-28 | 122.0531.769



29.5-in. x 19-in. 16 Gauge Undermount Stainless Steel Single Bowl Kitchen Sink Designed with beauty in mind, water cascades along a durable, removable drain cover and disappears into the invisible drain. Made of 16 gauge stainless steel with a Diamond finish that will retain its beauty for many years. The robust sound-damping system reduces the noise caused by a garbage disposal or running water. A Black tempered glass drain cover creates an even, flat surface in the bottom of the sink.

Aspect

Sink type	Sink
Type of material	Stainless steel
Number of bowls	1
Color	Steel
Surface finish	Pearl

Product Dimensions

Length (right to left)	29.5
Width (front to back)	19.016
Large bowl size: right to left	27
Large bowl size: front to back	17
Large bowl: depth	9

Installation

Minimum cabinet size	36"
----------------------	-----

Product specifications

Installation type	Undermount
Drain hole	3 1/2"
Position of drainer	No drainer

Product identification

Product brand	FRANKE
Product family	None
Collection	Crystal Line
Certified by	CE

Features

Drainers number	No drainer
Product reversibility	Yes
Faucet ledge	No

Strainer assembly included	No
Strainer Assembly	No waste kit
Overflow	No
Number of faucet holes	No faucet hole
Soap dispenser hole	No