

CM242WTXT

PROFESSIONAL SERIES

24" BUILT-IN COFFEE MACHINE WITH STAINLESS STEEL FINISH PANELS



Elevate Your Coffee Experience

Discover the advanced brewing system that offers 13 exquisite beverages, from classic Espresso and American Coffee to specialties like Caffè Doppio, Cappuccino, and Espresso Macchiato. Enjoy barista quality drinks with our premium milk frothing system, featuring a professional-grade spout for rich, velvety foam.

Elegant and Distinctive Design

Elegantly designed to match the full Bertazzoni kitchen suite in any of the three available series. Engineering to fit in a standard 24" side cabinet.

Versatility for Every Coffee Lover

Versatile dual coffee system accommodating both whole beans (with generous 350g(12oz) capacity container) and ground coffee, allowing users to alternate between their favorite coffee blends.

User-Friendly user interface

4.3" full-touch TFT display featuring an intuitive user interface with crisp graphics and responsive controls. The display offers immersive visual feedback with ease-of-use navigation, elevating both functionality and aesthetic refinement.

Perfect Coffee Experience: Cup Warmer Function

Cup warmer function that pre-heats cups to the optimal serving temperature, preserving the full aroma and ensuring the perfect coffee experience from first to last sip.

PRODUCT FEATURES

Product type	Coffee Machine 24"with Stainless steel finish panels
User interface	Full Touch TFT Display 4.3"
Numbers of cups	2 cups
Capacity of Water Tank	84.5 fl oz - 2.5 l
Pump pressure	15 bar
Beverages	Espresso, coffee, cappuccino, Latte macchiato, Long, Doppio +, Cappuccino +, Capp mix, Americano, Caffè latte, Milk, Flat white, Espresso macchiato, Double espresso
Special features	Cup warmer, Steam, Hot Water
Coffee Aroma	Extra Light, Light, Medium, Strong, X-Strong
Coffee Length	Small, Medium, Large, Extra Large
Type of coffee	Beans or Powder
Capacity of Coffee Beans container	12 oz - 350 g
Automatic rising and descaling	yes
Programmable auto-start	yes
Direct water connection	no
Accessories	Milk container Frothed milk spout Hot water steam spout

TECHNICAL SPECIFICATIONS

Electrical supply	120V 60 HZ - 1350 W 6 Amp
Power connection	67" power cord with plug
Certification	UL
Warranty	2 years parts & labor
Product dimensions and net weight	W: 23 5/16" H: 17 3/4" D: 23 5/16" 44 lbs
Packaging dimensions and gross weight	W: 26 3/16" H: 22 1/16" D: 22 1/4" 64 lbs

CM242WTXT

PROFESSIONAL SERIES

24" BUILT-IN COFFEE MACHINE WITH STAINLESS STEEL FINISH PANELS



PRODUCT DIMENSIONS

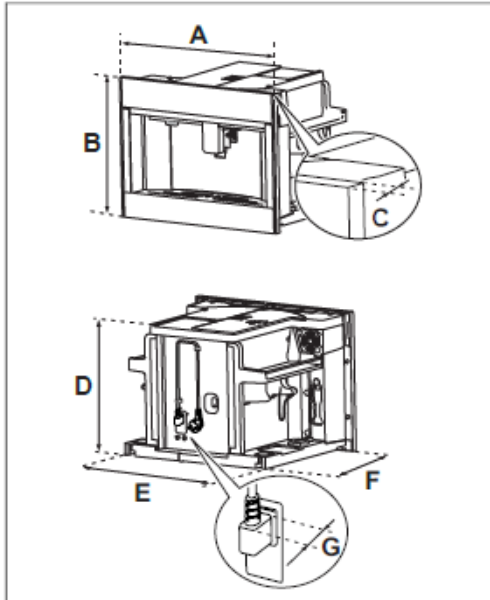


Fig. 2

A. 23.3" - 23.5"	D. 16.8"
B. 17.7" - 17.9"	E. 21.4"
C. 0.7" - 0.8"	F. 17.7"
	G. 1.2"

CUTOUT DIMENSIONS

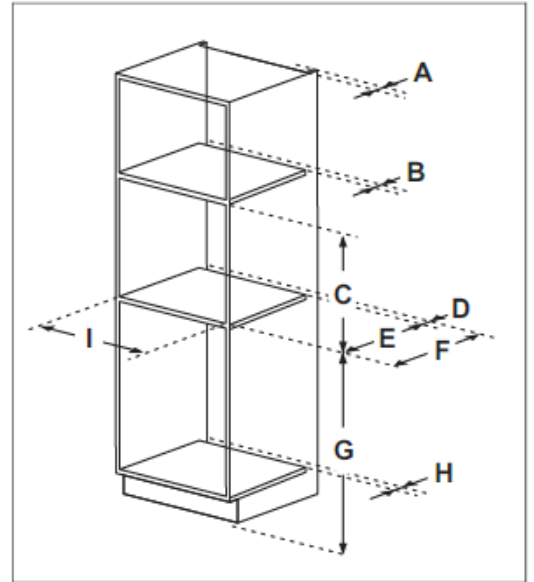


Fig. 3

A. 1.7"	E. 19.6"
B. 1.7"	F. Min. 21.4"
C. 17.7" + 0.07"	G. Min. 33.4"
D. 1.7"	H. 1.7"
	I. 22" + 0.3"

For installation of multiple products in combination, refer to the Design Guide at us.bertazzoni.com or ca.bertazzoni.com

Disclaimer: while every effort has been made to ensure the accuracy of the information contained in this document, Fratelli Bertazzoni reserves the right to change it at any time without notice. For detailed installation instructions, consult the installation manual. Fratelli Bertazzoni, Bertazzoni and the winged wheel brand icon are registered trademarks of Bertazzoni Spa.