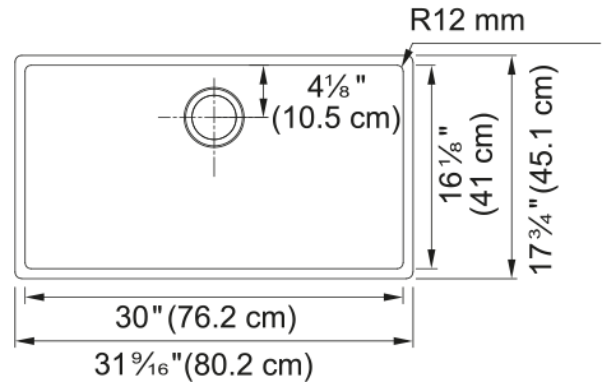
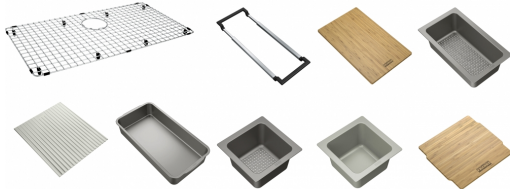


# Cube Workcenter Sink - CUX11030-WKC | 122.0672.231



Franke Cube Workcenter 31.5-in. x 17.7-in. 18 Gauge Stainless Steel Undermount Single Bowl Kitchen Sink The Cube ALL-IN workcenter supports your entire food preparation creating a modular, innovative, and design-oriented workstation. Well-equipped and intuitive, this modular workcenter sink has everything you need to quickly prepare meals, saving you time and space while allowing you to shift seamlessly between tasks. ACCESSORIES INCLUDED: All-In Accessory System AIUS300, Bottom Sink Grid, Strainer Basket

## Aspect

Sink type	Sink
Type of material	Stainless steel
Number of bowls	1
Color	Steel
Surface finish	Pearl

## Product Dimensions

Length (right to left)	31.496
Width (front to back)	17.756
Large bowl size: right to left	30
Large bowl size: front to back	16.142
Large bowl: depth	9.016

## Installation

Minimum cabinet size	36"
----------------------	-----

## Product specifications

Installation type	Undermount
Drain hole	3 1/2"
Position of drainer	No drainer

## Product identification

Product brand	FRANKE
Product family	Maris
Collection	Cube
Certified by	IAPMO

## Features

Drainers number	No drainer
Product reversibility	No
Faucet ledge	No

Strainer assembly included	Yes
Strainer Assembly	Manual
Overflow	No
Number of faucet holes	No faucet hole
Soap dispenser hole	No