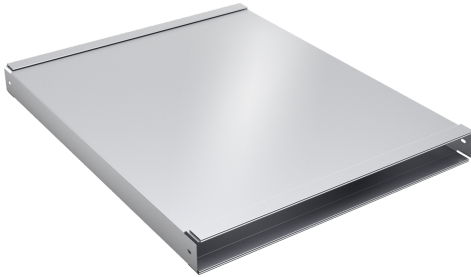


**Flat duct
CVDUCT2**



2 foot downdraft rectangle duct can be used as an extension to exhaust through a cabinet or wall using inline or remote blowers

- Allows three ways to exhaust at downdraft housing at sides or bottom
- For use with remote or inline blower applications
- CVTRECT2 transition needed to directly connect to downdraft housing
- See installation guide for details
- Slim rectangular duct that is 2' x 1-7/8" x 19"

Product group:Accessory
Brand:Thermador
Product name / series name:
SKU:CVDUCT2
Internal article number:00000000011026318
EAN code:825225920762
Product Packaging Dimensions (HxWxD):2.99 x 20.20 x 24.70
Net Weight:8.000 lbs
Gross Weight:8.000 lbs
Quantity per packing unit:
Standard number of units per pallet:30
UPC code:825225920762



Flat duct CVDUCT2

2 foot downdraft rectangle duct can be used as an extension to exhaust through a cabinet or wall using inline or remote blowers

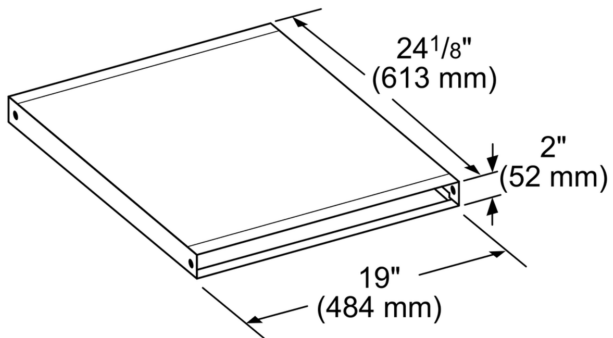
Performance

- Allows three ways to exhaust at downdraft housing at sides or bottom
- For use with remote or inline blower applications
- CVTRECT2 transition needed to directly connect to downdraft housing
- See installation guide for details

Design

- Slim rectangular duct that is 2' x 1-7/8" x 19"
- Designed for use with UCVM30RS, UCVM36RS, UCPV36RS downdrafts
- Durable galvanized steel construction
- Can be attached to CVTSIDE6, CVTSIDE8, CVTSIDE10 transitions
- Duct length can be modified to suit your installation needs

**Flat duct
CVDUCT2**



measurements in inches (mm)