

**Adapter duct  
CVTSIDE10**



**This 10 inch round transition allows for left, right, or rear venting with Masterpiece® downdraft with inline or remote blowers**

- For use with remote or inline blower applications
- Use with blowers, ducting, or elbows with 10 inch round duct connection
- Can attach to downdraft housing or CVDUCT2 rectangular duct accessory
- See installation guide for details
- Rectangular 1-7/8" x 19" transition to 10" round

---

Product group: .....Accessory  
 Brand: .....Thermador  
 Product name / series name:  
 SKU: .....CVTSIDE10  
 Internal article number: .....00000000000777719  
 EAN code: .....825225920748  
 Product Packaging Dimensions (HxWxD): .....12.49 x 12.75 x 24.99  
 Net Weight: .....4.000 lbs  
 Gross Weight: .....4.000 lbs  
 Quantity per packing unit:  
 Standard number of units per pallet: .....20  
 UPC code: .....825225920748

---



## **Adapter duct CVTSIDE10**

**This 10 inch round transition allows for left, right, or rear venting with Masterpiece® downdraft with inline or remote blowers**

---

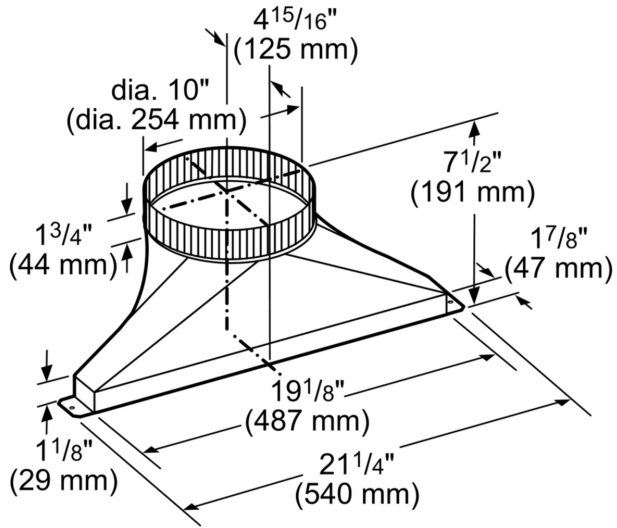
### **Performance**

- For use with remote or inline blower applications
- Use with blowers, ducting, or elbows with 10 inch round duct connection
- Can attach to downdraft housing or CVDUCT2 rectangular duct accessory
- See installation guide for details

### **Design**

- Rectangular 1-7/8" x 19" transition to 10" round
- Designed for use with UCVM30RS, UCVM36RS, UCVP36RS downdrafts

**Adapter duct  
CVTSIDE10**



measurements in inches (mm)