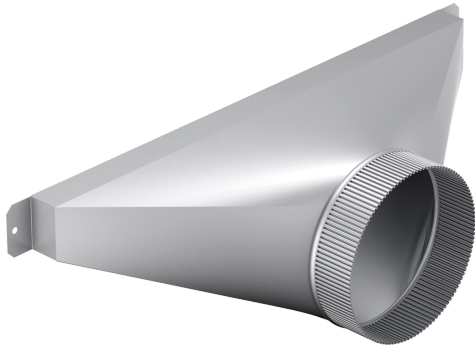


**Adapter duct  
CVTSIDE6**



**This 6 inch round transition allows for left, right, or rear venting with Masterpiece® downdraft with inline or remote blowers**

- For use with remote or inline blower applications
- Use with blowers, ducting, or elbows with 6 inch round duct connection
- Can attach to downdraft housing or CVDUCT2 rectangular duct accessory
- See installation guide for details
- Rectangular 1-7/8" x 19" transition to 6" round

---

Product group: .....Accessory  
 Brand: .....Thermador  
 Product name / series name:  
 SKU: .....CVTSIDE6  
 Internal article number: .....00000000000777717  
 EAN code: .....825225920779  
 Product Packaging Dimensions (HxWxD): .....12.49 x 12.24 x 25.24  
 Net Weight: .....3.000 lbs  
 Gross Weight: .....3.000 lbs  
 Quantity per packing unit:  
 Standard number of units per pallet: .....20  
 UPC code: .....825225920779

---



## **Adapter duct CVTSIDE6**

**This 6 inch round transition allows for left, right, or rear venting with Masterpiece® downdraft with inline or remote blowers**

---

### **Performance**

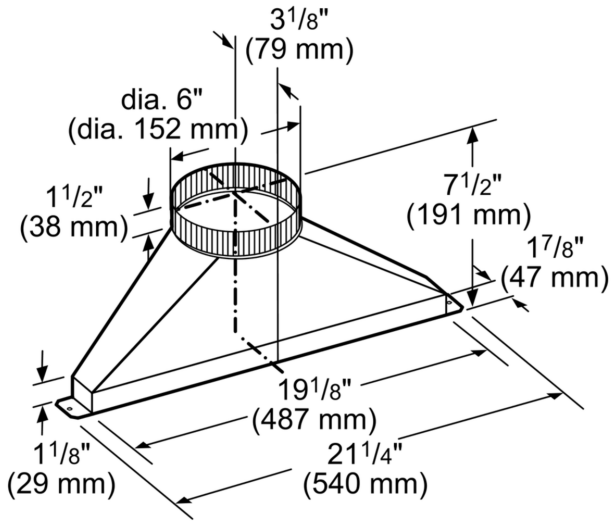
- For use with remote or inline blower applications
- Use with blowers, ducting, or elbows with 6 inch round duct connection
- Can attach to downdraft housing or CVDUCT2 rectangular duct accessory
- See installation guide for details

### **Design**

- Rectangular 1-7/8" x 19" transition to 6" round
- Designed for use with UCVM30RS, UCVM36RS, UCVP36RS downdrafts

**Adapter duct  
CVTSIDE6**

---



measurements in inches (mm)