



CWC2ADA



34" x 26" x 24" (H x W x D)

Fully assembled casework cabinet with storage drawer and French doors in ADA compliant height and black finish

Highlights:

Ships fully assembled

Made in the USA

34" counter height to meet ADA guidelines for accessibility

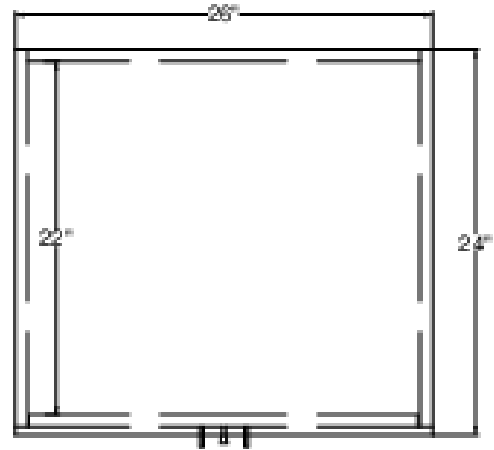
Product Features:

| | |
|-------------------------------|--|
| Casework cabinet with storage | 26" wide cabinet with drawer and lower storage cabinet |
| Ships fully assembled | No assembly required for fast installation in your space |
| ADA Compliant height | 34" high to meet ADA guidelines for accessibility |
| Made in the USA | Engineered wood with laminate finish manufactured and assembled in the United States |
| Lower storage | Cabinet with removable shelf and French door swing |
| Slide-out drawer | Waist-high drawer for convenient storage |
| Lockdowel™ construction | Innovative fastening system ensures lasting durability |
| Black finish | Sleek black laminate finish suits any setting |
| Leveling legs | Four levelers allow easier adjustment to accommodate uneven floors |

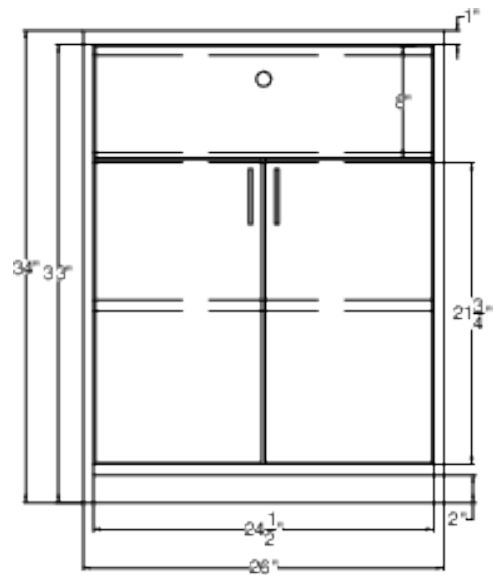


CWC2ADA Specifications:

| Overview | |
|------------------------|--------------------|
| Nominal Width | 26.0" (66 cm) |
| Nominal Depth | 24.0" (61 cm) |
| Nominal Height | 34.0" (86 cm) |
| Height of Cabinet | 34.0" (86 cm) |
| Width | 26.0" (66 cm) |
| Depth | 24.0" (61 cm) |
| Cabinet | Black |
| Weight | 140.0 lbs. (64 kg) |
| Parts & Labor Warranty | 90 Days |
| UPC | 761101088518 |



Plan



Elev