



# CWR9ADA



34" x 17" x 24" (H x W x D)

Fully assembled casework cabinet in ADA compliant height and black finish designed to accept an appliance sized under 32.25" H x 15.5" W

### Highlights:

Ships fully assembled

Made in the USA

34" counter height to meet ADA guidelines for accessibility

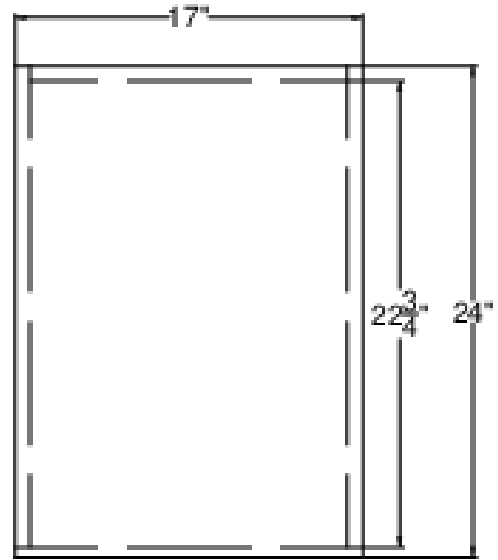
### Product Features:

Casework refrigerator cabinet	17" wide cabinet with open front to accept undercounter units
Ships fully assembled	No assembly required for fast installation in your space
ADA Compliant height	34" high to meet ADA guidelines for accessibility
Made in the USA	Engineered wood with laminate finish manufactured and assembled in the United States
32.25" H x 15.5" W opening	Allows you to add a variety of appliances or fixtures as needed
Compatible with Summit units	Designed to accept popular Summit units including the ADRD15 drawer refrigerator, ALBV15 beverage center, ALR15B refrigerator, and the ALWC15 wine cellar
Lockdowel™ construction	Innovative fastening system ensures lasting durability
Black finish	Sleek black laminate finish suits any setting
Open rear	Back features a wide opening for easier cleaning, added ventilation, and plenty of space to locate your plug

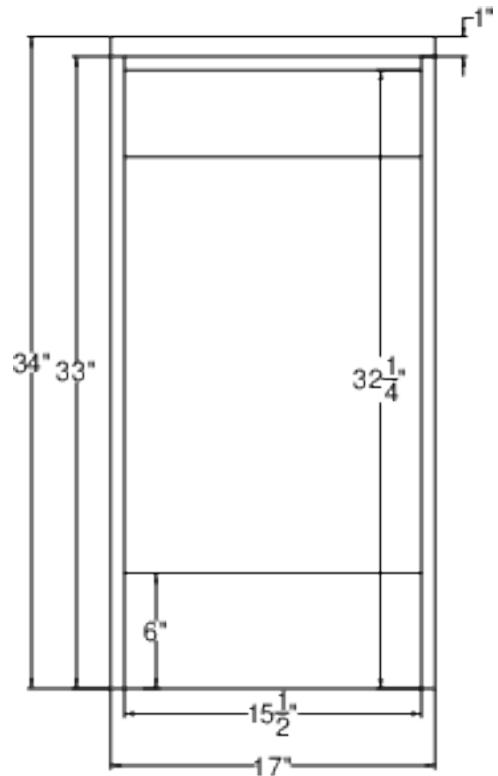


### CWR9ADA Specifications:

Overview	
Nominal Width	17.0" (43 cm)
Nominal Depth	24.0" (61 cm)
Nominal Height	34.0" (86 cm)
Height of Cabinet	34.0" (86 cm)
Width	17.0" (43 cm)
Depth	24.0" (61 cm)
Cabinet	Black
Weight	65.0 lbs. (29 kg)
Parts & Labor Warranty	90 Days
UPC	761101088495



Plan



Elev