

DA 1260

Built-under hood

with energy-efficient LED lighting and sliding switch for simple operation.



- Puristic design – space-saving solution 23 5/8 (598) in (mm) wide
- Powerful – 320.19 (544) ft³/min (m³/h) in Booster level
- Efficient filtration- 10-ply stainless steel grease filters
- Safe and easy to clean – Miele CleanCover
- Suitable for every home – vented or recirculating

EAN: 4002515882979 / Material number: 10662780 /
Old Material Number: 28126055USA

General information	
Model number	DA 1260
Manufacturer material number	10662780
EAN number	4002515882979
Marketing class	Silver
Design	
Built-under ventilation hood	•
Construction type and design	
Color	Stainless steel
Operating modes	
Recirculated mode	Can be retrofitted
OdorFree charcoal filter (order separately)	DKF 18-P
User convenience	
Recessed knob controls	•
Operation	Slide switch
Power levels (number excl. Intensive)	3
Booster levels	1
CleanCover	•
Filter system	
Number of dishwasher-safe stainless steel grease filters (10-ply)	2
Lighting	
Number x W	2 x 3 W
Light intensity in Lx	275 lx
Color temperature in K	3000 Kelvin
Blower	
Single-action blower	•
Exhaust air	
Air throughput in CFM in Booster	320
Air throughput with Booster level 1 (m ³ /h) according to EN 61591	320.19 (544)
Technical data	
Canopy width in in.(mm)	23 5/8 (598)
Canopy height in in.(mm)	5 (125)
Canopy depth in in.(mm)	19 3/4 (500)
Net weight in lbs. (kg)	25 (11.2)
Length of electrical wire in ft (m)	4 (1.5)
Standard plug fitted	•
Minimum height above electric cooktops in mm	17 3/4 (450)
Minimum safety distance above gas cooktops (max. 12.6 kW total power, burner ≤ 4.5 kW) in mm	25 5/8 (650)
Plug type	NEMA plug: 5-15
Number of phases	1
Total connected load in kW	0.28
Voltage in V	120
Fuse rating in A	15
Frequency in Hz	60

DA 1260

Built-under hood

with energy-efficient LED lighting and sliding switch for simple operation.



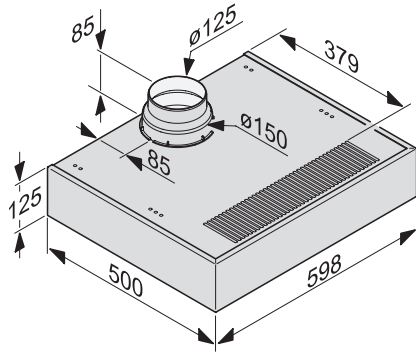
EAN: 4002515882979 / Material number: 10662780 /
Old Material Number: 28126055USA

Installation note	
Vent connection at top	•
Diameter of vent connection in in.(mm)	6 (150)
Installation template	•
Standard accessories	
Non-return flap	•
Recirculation deflector	•
Reducer from 150 to 125 mm Ø	•

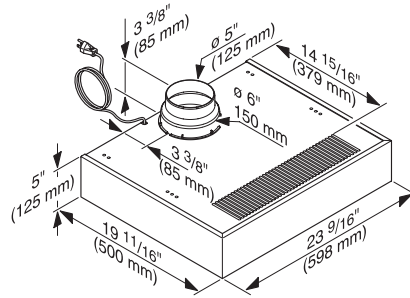
DA 1260

Built-under hood

with energy-efficient LED lighting and sliding switch for simple operation.



DA 1060, DA 1160, DA 1260 (Installation drawing)



DA 1060, DA 1160, DA 1260 (Installation drawing)