

DA 2360

Insert ventilation hood

with energy-efficient LED lighting and backlit controls for easy use.



- Customized kitchen design – fully integrated in 23 (584) in (mm) width
- Space saving – suitable for narrow wall units from 11.8" deep
- Powerful – 482.64 (820) ft³/min (m³/h) in Booster level
- Efficient filtration- 10-ply stainless steel grease filters
- Safe and easy to clean – Miele CleanCover

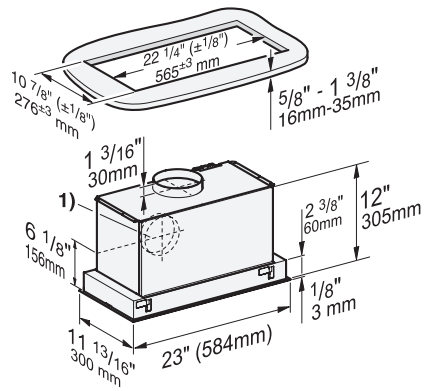
EAN: 4002515949887 / Material number: 10765130 / Old Material Number: 28236055USA

Design	
Insert ventilation hood	•
Construction type and design	
Color	Stainless steel
Operating modes	
Recirculated mode	Can be retrofitted
Recirculation conversion kit (order separately)	DUU 151
OdorFree charcoal filter (order separately)	DKF 19-P
User convenience	
Electronic controls	•
Power levels (number excl. Intensive)	3
Booster levels	1
CleanCover	•
Filter system	
Number of dishwasher-safe stainless-steel grease filters	1
Lighting	
LED	•
Number x W	2 x 3 W
Light intensity in lx	350 lx
Color temperature in K	3000 Kelvin
Blower	
Dual-action blower	•
AC motor	•
Exhaust air	
Maximum air throughput in cfm according to HVI	395
Air throughput	Values upon request
Air throughput in Intensive setting (cfm)	482.64 (820)
Safety	
Safety shut-off	•
Technical data	
Canopy width in in.(mm)	23 (584)
Canopy height in in.(mm)	2 1/2 (63)
Canopy depth in in.(mm)	11 3/4 (297)
Minimum height above electric hobs in mm	24 1/8 (610)
Net weight in lbs. (kg)	25 (11.0)
Length of electrical wire in ft (m)	4 (1.5)
Standard plug fitted	•
Minimum height above gas cooktop (max. 12.6 kW total power, burner ≤ 4.5 kW) in mm	26 (660)
Total connected load in kW	0.35
Voltage in V	120
Fuse rating in A	15
Number of phases	1
Frequency in Hz	60
Installation note	
Vent connection at top	•
Vent connection at top and rear	•
Diameter of vent connection in in.(mm)	6 (150)
Standard accessories	
Non-return flap	•

DA 2360

Insert ventilation hood

with energy-efficient LED lighting and backlit controls for easy use.



DA 2360 (Installation drawing) – USA

1) Vent connection alternatively to rear