

DA 2360

Insert ventilation hood
with energy-efficient LED lighting and backlit controls for easy use.



- Customized kitchen design – fully integrated in 23 (584) in (mm) width
- Space saving – suitable for narrow wall units from 11.8" deep
- Powerful – 482.64 (820) ft³/min (m³/h) in Booster level
- Efficient filtration- 10-ply stainless steel grease filters
- Safe and easy to clean – Miele CleanCover

EAN: 4002515949887 / Material number: 10765130 /
Old Material Number: 28236055USA

General information	
Model number	DA 2360
Manufacturer material number	10765130
EAN number	4002515949887
Marketing class	Silver
Design	
Insert ventilation hood	•
Construction type and design	
Color	Stainless steel
Operating modes	
Recirculated mode	Can be retrofitted
Recirculation conversion kit (order separately)	DUU 151
OdorFree charcoal filter (order separately)	DKF 19-P
User convenience	
Electronic controls	•
Operation	Light-touch switches with LEDs
Power levels (number excl. Intensive)	3
Booster levels	1
CleanCover	•
Filter system	
Number of dishwasher-safe stainless steel grease filters (10-ply)	1
Lighting	
Number x W	2 x 3 W
Light intensity in lx	350 lx
Color temperature in K	3000 Kelvin
Blower	
Dual-action blower	•
Exhaust air	
Air throughput in CFM in Booster	483
Air throughput with Booster level 1 (m ³ /h) according to EN 61591	482.64 (820)
Safety	
Safety shut-off	•
Technical data	
Canopy width in in.(mm)	23 (584)
Canopy height in in.(mm)	2 1/2 (63)
Canopy depth in in.(mm)	11 3/4 (297)
Net weight in lbs. (kg)	25 (11.0)
Length of electrical wire in ft (m)	4 (1.5)
Standard plug fitted	•
Minimum height above electric cooktops in mm	24 1/8 (610)
Minimum safety distance above gas cooktops (max. 12.6 kW total power, burner ≤ 4.5 kW) in mm	26 (660)
Plug type	NEMA plug: 5-15
Number of phases	1
Total connected load in kW	0.35
Voltage in V	120

DA 2360

Insert ventilation hood
with energy-efficient LED lighting and backlit controls for easy use.



EAN: 4002515949887 / Material number: 10765130 /
Old Material Number: 28236055USA

Fuse rating in A	15
Frequency in Hz	60

Installation note

Vent connection at top	•
------------------------	---

Diameter of vent connection in in.(mm)	6 (150)
--	---------

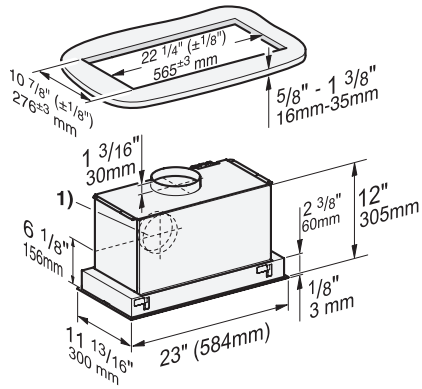
Standard accessories

Non-return flap	•
-----------------	---

DA 2360

Insert ventilation hood

with energy-efficient LED lighting and backlit controls for easy use.



DA 2360 (Installation drawing) – USA

1) Vent connection alternatively to rear