

DA 2628

Insert ventilation hood
with energy-efficient LED lighting and backlit controls for easy use.



- Customized kitchen design – fully integrated in 46 1/2 (1180) in (mm) width
- Unique user convenience – Con@ctivity
- Energy-efficient and quiet
- Elegant and efficient – edge vented panel

EAN: 4002516024439 / Material number: 10876800 /
Old Material Number: 28262855USA

General information	
Model number	DA 2628
Manufacturer material number	10876800
EAN number	4002516024439
Class	Platinum
Design	
Insert ventilation hood	•
Construction type and design	
Color	Stainless steel
Operating modes	
Recirculated mode	Exhaust air
Design	
Edge extraction	•
User convenience	
Miele@home	•
Con@ctivity	•
Electronic controls	•
Operation	Light-touch switches with LEDs
Power levels (number excl. Intensive)	3
Run-on time 5/15 min.	•
Booster levels	1
Grease filter saturation indicator	•
CleanCover	•
Smart Extras	
RemoteUpdate	•
Efficiency and sustainability	
AC motor	•
Filter system	
Number of dishwasher-safe stainless steel grease filters (10-ply)	4
Lighting	
Number x W	3 x 4,5 W
Light intensity in Lx	700 lx
Color temperature in K	3500 Kelvin
Light dimmer function	•
Blower	
Dual-action blower	•
Exhaust air	
Air throughput in CFM in Booster	483
Air throughput	Values upon request
Air throughput in Intensive setting (cfm)	482.64 (820)
Safety	
Safety shut-off	•
Technical data	
Canopy width in in.(mm)	46 1/2 (1180)
Canopy height in in.(mm)	2 1/2 (63)
Canopy depth in in.(mm)	11 5/8 (293)

DA 2628

Insert ventilation hood

with energy-efficient LED lighting and backlit controls for easy use.



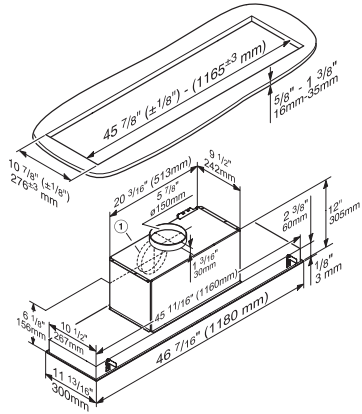
EAN: 4002516024439 / Material number: 10876800 /
Old Material Number: 28262855USA

Net weight in lbs. (kg)	34 (15.0)
Length of electrical wire in ft (m)	4 (1.5)
Standard plug fitted	•
Minimum height above electric cooktops in mm	24 1/8 (610)
Minimum safety distance above gas cooktops (max. 12.6 kW total power, burner ≤ 4.5 kW) in mm	26 (660)
Number of phases	1
Plug type	NEMA plug: 5-15
Total connected load in kW	0.36
Voltage in V	120
Fuse rating in A	15
Frequency in Hz	60
Installation note	
Vent connection at top	•
Vent connection at rear	•
Diameter of vent connection in in.(mm)	6 (150)
Standard accessories	
Non-return flap	•

DA 2628

Insert ventilation hood

with energy-efficient LED lighting and backlit controls for easy use.



DA 2628, stainless steel – Integrated cooker hood
(Installation drawing) – USA

1) Vent connection alternatively to rear