

DA 399-7 Classic
Wall ventilation hood
with energy-efficient LED lighting and backlit controls for easy use.



- Design – 35 3/8 (898) in (mm) wide trapezoidal canopy
- Powerful – 488.52 (830) ft³/min (m³/h) in Booster level
- Efficient filtration- 10-ply stainless steel grease filters
- Safe and easy to clean – Miele CleanCover
- For perfect functionality – accessories for proper venting

EAN: 4002515802199 / Material number: 10558800 /
Old Material Number: 28399750USA

General information	
Model number	DA 399-7 Classic
Manufacturer material number	10558800
EAN number	4002515802199
Marketing class	Silver
Design	
Wall ventilation hood	•
Construction type and design	
Color	Stainless steel
Operating modes	
Recirculated mode	Can be retrofitted
Recirculation conversion kit (order separately)	DUW 20
OdorFree charcoal filter (order separately)	DKF 12-P
User convenience	
Electronic controls	•
Operation	Light-touch switches with LEDs
Power levels (number excl. Intensive)	3
Booster levels	1
CleanCover	•
Filter system	
Number of dishwasher-safe stainless steel grease filters (10-ply)	3
Lighting	
Number x W	2 x 3 W
Light intensity in lx	300 lx
Color temperature in K	3000 Kelvin
Blower	
Dual-action blower	•
Exhaust air	
Air throughput in CFM in Booster	489
Air throughput with Booster level 1 (m ³ /h) according to EN 61591	488.52 (830)
Safety	
Safety shut-off	•
Technical data	
Canopy width in in.(mm)	35 3/8 (898)
Overall hood height for vented mode and external in inches (mm)	27 3/8 (695)–40 (1015)
Overall height for recirculation mode ventilation hoods in mm	32 1/2 (825)–45 1/8 (1145)
Overall min. height for vented and external in in. (mm)	27 3/8 (695)
Overall max. height for vented and external in in. (mm)	40 (1015)
Canopy height in in.(mm)	4 3/4 (120)
Overall min. height for recirculation in in. (mm)	32 1/2 (825)
Canopy depth in in.(mm)	20 1/2 (520)
Overall max. height for recirculation in in. (mm)	45 1/8 (1145)
Net weight in lbs. (kg)	58 (26.0)
Length of electrical wire in ft (m)	4 (1.5)

DA 399-7 Classic

Wall ventilation hood

with energy-efficient LED lighting and backlit controls for easy use.



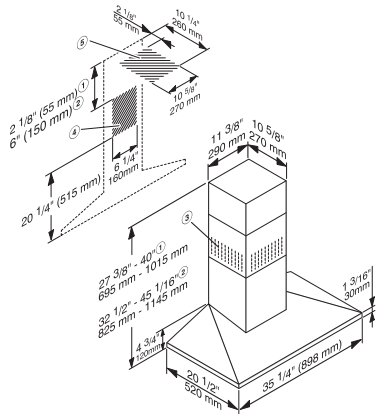
EAN: 4002515802199 / Material number: 10558800 /
Old Material Number: 28399750USA

Standard plug fitted	•
Minimum height above electric cooktops in mm	24 1/8 (610)
Minimum safety distance above gas cooktops (max. 12.6 kW total power, burner ≤ 4.5 kW) in mm	26 (660)
Plug type	NEMA plug: 5-15
Number of phases	1
Total connected load in kW	0.35
Voltage in V	120
Fuse rating in A	15
Frequency in Hz	60
Installation note	
Vent connection at top	•
Diameter of vent connection in in.(mm)	6 (150)
Telescopic chimney	•
Standard accessories	
Non-return flap	•

DA 399-7 Classic

Wall ventilation hood

with energy-efficient LED lighting and backlit controls for easy use.



DA 399-6 (Installation drawing) – USA

1) Extraction, 2) Recirculation, 3) Ventilation grille at top for recirculation, 4+5) Installation cut-out (5 not required for recirculation)