

## DA 6596 D Puristic Canto Island décor hood

with energy-efficient LED lighting and backlit controls for easy use.



- Timeless design – stainless steel canopy 35 3/8 (898) in (mm) wide
- Unique convenience – Con@ctivity 2.0
- Powerful – ?? in Booster level
- Efficient and beautiful – Multi-zone edge extraction
- Variable: edge vented panels made of glass or stainless steel

EAN: 4002515524817 / Material number: 09762240 / Old Material Number: 28659655USA

<b>Design</b>	
Island ventilation hood	•
<b>Construction type and design</b>	
Color	Stainless steel
<b>Operating modes</b>	
Recirculated mode	Can be retrofitted
Recirculation conversion kit (order separately)	DUI 32
OdorFree charcoal filter (order separately)	DKF 12-900
Decor elements in glass (order separately)	DRP 6590D
<b>Design</b>	
Multi-zone edge extraction	•
<b>User convenience</b>	
Automatic function	Con@ctivity 2.0
Electronic controls	•
Power levels (number excl. Intensive)	3
Run-on time 5/15 min.	•
Booster levels	1
Programmable Intensive switch-off	•
Grease filter saturation indicator	•
Active charcoal filter saturation indicator	•
Acoustic package	•
CleanCover	•
<b>Filter system</b>	
Number of dishwasher-safe stainless-steel grease filters	3
<b>Lighting</b>	
LED	•
Number x W	4 x 3 W
Light intensity in lx	540 lx
Color temperature in K	3500 Kelvin
<b>Blower</b>	
Dual-action blower	•
AC motor	•
<b>Exhaust air</b>	
Air throughput	Values upon request
<b>Safety</b>	
Safety shut-off	•
<b>Technical data</b>	
Overall min. height for vented and external in in. (mm)	27 1/4 (690)
Canopy width in in.(mm)	35 3/8 (898)
Overall max. height for vented and external in in. (mm)	39 (990)
Canopy height in in.(mm)	2 7/8 (70)
Overall min. height for recirculation in in. (mm)	29 5/8 (750)
Canopy depth in in.(mm)	23 5/8 (598)
Overall max. height for recirculation in in. (mm)	41 3/4 (1060)
Minimum height above electric hobs in mm	24 1/8 (610)
Net weight in lbs. (kg)	75 (34.0)
Hard-wired	•
Minimum height above gas cooktop (max. 12.6 kW total power, burner ≤ 4.5 kW) in mm	26 (660)
Total connected load in kW	0.36

DA 6596 D Puristic Canto

Island décor hood

with energy-efficient LED lighting and backlit controls for easy use.

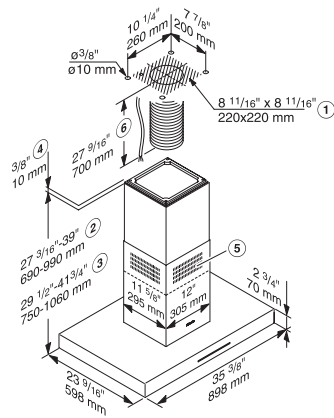


EAN: 4002515524817 / Material number: 09762240 / Old Material Number: 28659655USA

Voltage in V	120
Fuse rating in A	15
Number of phases	1
Frequency in Hz	60
<b>Installation note</b>	
Vent connection at top	•
Diameter of vent connection in in.(mm)	6 (150)
Telescopic chimney	•
<b>Standard accessories</b>	
Communication module for Con@ctivity XKM 2000 DA	XKS 3000 Z
Non-return flap	•

## DA 6596 D Puristic Canto Island décor hood

with energy-efficient LED lighting and backlit controls for easy use.



DA 6596 D (Installation drawing)

1) Installation area/site, 2) Vented, 3) Recirculation, 4) Installation alternatively with spacer frame, 5) Ventilation grille positioned at the top for recirculation, 6) A supply lead, and for vented mode flexible vent ducting, must be pre-fitted for the connection in the ceiling to the connection of the cooker hood.