

## DA 6698 W Puristic Edition 6000

Wall ventilation hood

with energy-efficient LED lighting and touch controls for simple operation.



- Family design – based on Miele built-in appliances
- Unique user convenience – Con@ctivity
- Powerful – 488.52 (830) ft<sup>3</sup>/min (m<sup>3</sup>/h) in Booster level
- Energy-efficient and quiet
- Energy-efficient and quiet

EAN: 4002516024644 / Material number: 10877060 /  
Old Material Number: 28669840USA

<b>General information</b>	
Model number	DA 6698 W Puristic Edition 6000
Manufacturer material number	10877060
EAN number	4002516024644
Marketing class	Diamond
<b>Design</b>	
Wall ventilation hood	•
<b>Construction type and design</b>	
Color	Obsidian black
<b>Operating modes</b>	
Recirculated mode	Can be retrofitted
Recirculation conversion kit (order separately)	DUW 20
OdorFree charcoal filter (order separately)	DKF 12-P
<b>User convenience</b>	
Miele@home	•
Con@ctivity	•
Electronic controls	•
Light-touch controls	•
Operation	Touch-on-glass controls
Power levels (number excl. Intensive)	3
Run-on time 5/15 min.	•
Booster levels	1
Grease filter saturation indicator	•
Active charcoal filter saturation indicator	•
Acoustic package	•
CleanCover	•
<b>Filter system</b>	
Number of dishwasher-safe stainless steel grease filters (10-ply)	3
<b>Lighting</b>	
Number x W	3 x 3 W
Light intensity in lx	670 lx
Color temperature in K	3500 Kelvin
Light dimmer function	•
<b>Blower</b>	
Dual-action blower	•
<b>Exhaust air</b>	
Air throughput in CFM in Booster	489
Air throughput with Booster level 1 (m <sup>3</sup> /h) according to EN 61591	488.52 (830)
<b>Safety</b>	
Safety shut-off	•
Single-ply safety glass (ESG)	•
<b>Technical data</b>	
Canopy width in in.(mm)	35 3/8 (898)
Overall hood height for vented mode and external in inches (mm)	28 (710)–40 5/8 (1030)

## DA 6698 W Puristic Edition 6000

Wall ventilation hood

with energy-efficient LED lighting and touch controls for simple operation.



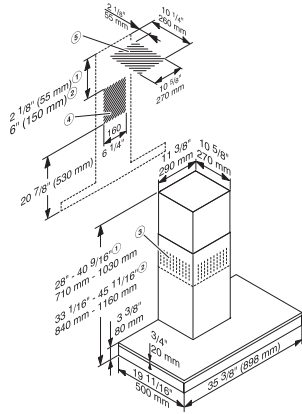
EAN: 4002516024644 / Material number: 10877060 /  
Old Material Number: 28669840USA

Overall height for recirculation mode ventilation hoods in mm	33 1/8 (840)– 45 3/4 (1160)
Overall min. height for vented and external in in. (mm)	28 (710)
Overall max. height for vented and external in in. (mm)	40 5/8 (1030)
Canopy height in in.(mm)	3 3/8 (85)
Overall min. height for recirculation in in. (mm)	33 1/8 (840)
Canopy depth in in.(mm)	19 3/4 (500)
Overall max. height for recirculation in in. (mm)	45 3/4 (1160)
Net weight in lbs. (kg)	58 (26.0)
Length of electrical wire in ft (m)	2 (0.8)
Standard plug fitted	•
Minimum height above electric cooktops in mm	24 1/8 (610)
Minimum safety distance above gas cooktops (max. 12.6 kW total power, burner ≤ 4.5 kW) in mm	26 (660)
Plug type	NEMA plug: 5–15
Number of phases	1
Total connected load in kW	0.35
Voltage in V	120
Fuse rating in A	15
Frequency in Hz	60
<b>Installation note</b>	
Vent connection at top	•
Diameter of vent connection in in.(mm)	6 (150)
Telescopic chimney	•
<b>Standard accessories</b>	
Non-return flap	•

## DA 6698 W Puristic Edition 6000

### Wall ventilation hood

with energy-efficient LED lighting and touch controls for simple operation.



DA 6698 W, CLST (Installation drawing) – USA

1. Extraction, 2. Recirculation, 3 Ventilation grilles at the top for recirculation, 4. + 5. Vent cut-out positions (Area 5 not required for recirculation)