

DA 6881

30-inch countertop extractor

optional external or internal blower for maximum versatility.



- Striking design – telescopic canopy 30 (762) in (mm) inches wide.
- Powerful – 423.78 (720) ft³/min (m³/h) in Booster level
- Practical – 15-minute automatic blower run-on
- Suitable for every home – vented or recirculating
- For perfect functionality – accessories for proper venting

EAN: 4002515823965 / Material number: 10595900 /
Old Material Number: 28688150USA

General information	
Model number	DA 6881
Manufacturer material number	10595900
EAN number	4002515823965
Marketing class	Gold
Design	
Downdraft	•
Construction type and design	
Color	Stainless steel
Operating modes	
Recirculated mode	Can be retrofitted
Recirculation conversion kit (order separately)	DUU 2900-900
OdorFree charcoal filter (order separately)	DKF18-900
Design	
Edge extraction	•
User convenience	
Electronic controls	•
Power levels (number excl. Intensive)	3
Booster levels	1
Run-on time 15 min.	•
Hood in Motion	•
Filter system	
Number of dishwasher-safe stainless steel grease filters	2
Lighting	
Number x W	1x6W
Light intensity in lx	280 lx
Color temperature in K	4000 Kelvin
Exhaust air	
Air throughput in CFM in Booster	240
Air throughput with Booster level 1 (m ³ /h) according to EN 61591	423.78 (720)
Safety	
Safety shut-off	•
Single-ply safety glass (ESG)	•
Technical data	
Canopy width in in.(mm)	30 (762)
Overall min. height for vented and external in in. (mm)	41 1/2 (1052)
Overall max. height for vented and external in in. (mm)	41 1/2 (1052)
Canopy height in in.(mm)	25 1/2 (646)
Overall min. height for recirculation in in. (mm)	41 1/2 (1052)
Canopy depth in in.(mm)	4 3/4 (120)
Overall max. height for recirculation in in. (mm)	41 1/2 (1052)
Net weight in lbs. (kg)	52 (23.5)
Length of electrical wire in ft (m)	4 (1.5)
Standard plug fitted	•
Plug type	US earthed plug
Number of phases	1
Total connected load in kW	0.34

DA 6881

30-inch countertop extractor

optional external or internal blower for maximum versatility.



EAN: 4002515823965 / Material number: 10595900 /
Old Material Number: 28688150USA

Voltage in V	120
Fuse rating in A	10
Frequency in Hz	60

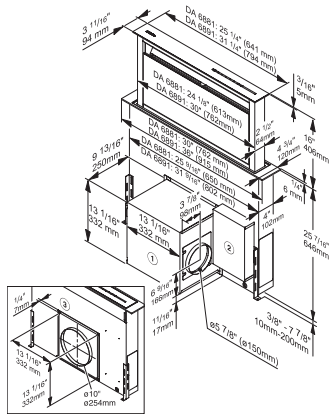
Installation note

Vent connection at top, rear, side, bottom	•
Diameter of vent connection in in.(mm)	6 (150)

Standard accessories

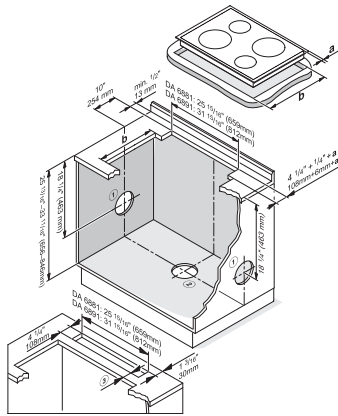
Reducer from 150 to 125 mm Ø	•
------------------------------	---

DA 6881
30-inch countertop extractor
optional external or internal blower for maximum versatility.



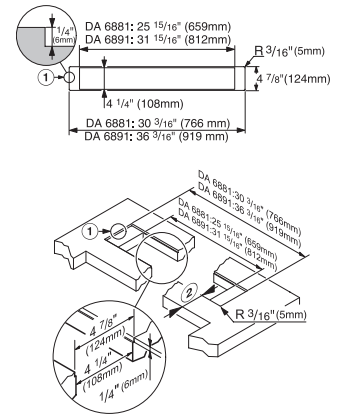
DA 6881, DA 6891 Downdraft (Installation drawing)

1) The DAG 600 motor can be rotated for installation, so exhaust air can be extracted upwards, left, right or downwards., 2) The connection box can be positioned anywhere in the cabinet. The DA 6891 can be mounted to the left, right or behind the fan., 3) Cover for use with the DAG 1000 external fan. The DAG 600 or the cover for the DAG 1000 fan can also be installed in the same position at the back of the appliance.



DA 6881, DA 6891 Downdraft (Installation drawing)

1) Exhaust air can be extracted to the left or right, 2) Exhaust air extraction downwards, a) Hob overlap, b) Hob cut-out, 3) If a downdraft system and a hob are installed in separate cut-outs it is important to ensure sufficient stability of ridges., If the appliances is installed behind the downdraft system it must be ensured that there is adequate space.



DA 6881, DA 6891 Downdraft (Installation drawing)

1) Stepped cut-out for granite or marble worktops, 2) If downdraft system and hob are installed in separate cut-outs it is important to ensure sufficient stability of ridges.