



SELF-CONTAINED DIRECT DRAW CONCESSIONAIRE
2- and 3-Door



DDC92 shown with optional Draft Arm Towers. 61/8" casters included.

| | |
|-----------|--|
| JOB | |
| AREA | |
| ITEM NO. | |
| MODEL NO. | |

| MODELS | |
|--------|--------------|
| DDC68 | 2-Door Model |
| DDC92 | 3-Door Model |

Note: NSF/ANSI Standard 7 Listed for the storage and display of bottled or canned products only.

KEY PRODUCT FEATURES AND BENEFITS

- Fully portable and self-contained mobile dispensing system, storing a CO2 drum, regulator, and liquid waste tank in an access area
- Energy efficient self-contained R290 Hydrocarbon refrigeration system provides industry leading cooling performance and temperature consistency
- Includes door locks, bumpers, casters, and a side cabinet for storing a CO2 tank (not included)
- Stainless steel interior and top standard on all perlick Back Bar refrigeration for long life durability and easy to clean hygienic storage
- NSF Certified to NSF/ANSI Standard #7 for storage of bottles, canned, and kegged beverages
- 2" Foamed-in-place insulation provides energy savings using Ecomate(tm), a blowing agent that has zero-ozone depletion and zero global warming potential
- End wall compressor and evaporator design increases storage capacity by 14% compared to top mounted designs
- Anti-sweat heaters in cabinet face prevents condensation from forming on door, extending door gasket life and protecting flooring below from damage or slip hazards

Quick Features:

- Integrated door locks standard on all units
- NSF Rated digital controller allows for easy and precise temperature changes
- 6000K white LED lighting
- Choose between three temperature ranges; Refrigerator (34°F-42°F) Factory set to 38°F, White Wine (40°F-65°F) Factory set to 45°F, Red Wine (40°F-65°F) Factory set to 60°F
- 1 Year Parts and Labor Warranty, 5 Year Compressor Warranty
- Electrical Supply—120 VAC/60Hz/1 Ph—NEMA 5-15 Cord Plug Type
- 1 Year Parts and Labor Warranty, 5 Year Compressor Warranty



SELF-CONTAINED DIRECT DRAW CONCESSIONAIRE
2- and 3-Door

MODEL NUMBERS - DDC68, DDC92

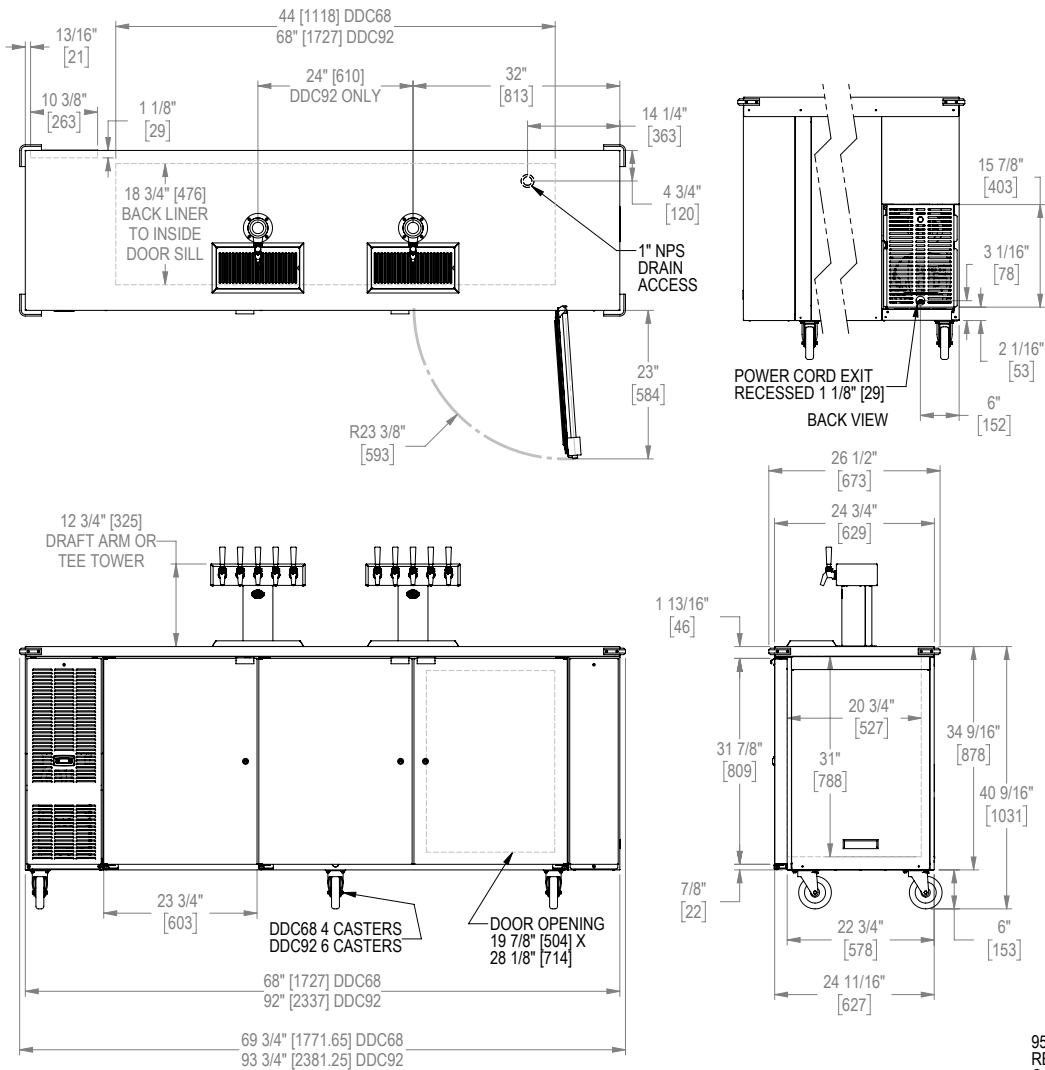
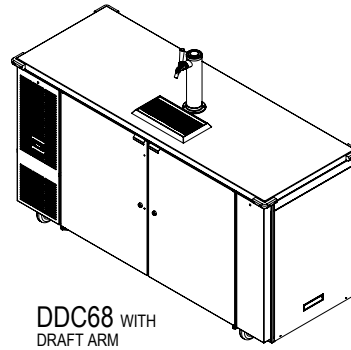
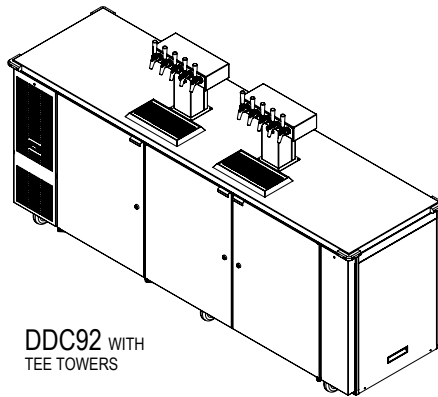
| MODEL NUMBERS | | DDC68 | DDC92 |
|--|--|---|---------------------|
| NUMBER OF DOORS | | 2 | 3 |
| EXTERIOR CABINET DIMENSIONS | Length - in. (mm) | 68 (1727) | 92 (2337) |
| | Depth - in. (mm) | 24¾ (629) | 24¾(629) |
| | Height - in. (mm) | 34⅞ (878) | 34⅞ (878) |
| INTERIOR CABINET DIMENSIONS | Length - in. (mm) | 44 (1118) | 68 (1727) |
| | Depth - in. (mm) | 18¾ (476) | 18¾ (476) |
| | Height - in. (mm) | 28½ (724) | 28½ (724) |
| * INTERNAL VOLUME, Net. Cu. Ft. (Litres) | | 16 (453) | 24.8 (702) |
| MATERIALS | | All stainless steel: Front, back, top and sides | |
| SHIPPING WEIGHT, Lbs. (kg.) | | 365 (165) | 515 (233) |
| ELECTRICAL SPECIFICATIONS | Electrical Supply | 120 VAC/60 Hz/1 Ph | 120 VAC/60 Hz/1 Ph |
| | Running Load Amps | 5.5 | 6.3 |
| | Electrical Connection | Cord connected | Cord connected |
| | Cord Plug Type | NEMA 5-15 | NEMA 5-15 |
| | Cord Length | 6'5" | 6'5" |
| | Defrost Initiation | Automatic | Automatic |
| | Defrost Type | Off cycle | Off cycle |
| | Thermostat | Digital control | Digital control |
| REFRIGERATION SPECIFICATIONS | Horsepower | 1/4 | 1/3 |
| | Refrigerant | R290 | R290 |
| | Refrigerant Charge, oz. | 7.0 | 7.0 |
| | Factory Temperature Setting-Refrigerator F (C) | 38° (3.3°) | 38° (3.3°) |
| | Temperature Range-Refrigerator F (C) | 33°-40° (0.5°-4.5°) | 33°-40° (0.5°-4.5°) |
| | Condensing Unit Location | Left | Left |
| | Expansion Device | Capillary tube | Capillary tube |
| | Pull Out Condensing Unit | Yes | Yes |
| | Front Vented | Yes | Yes |
| PLUMBING | Floor Drain Included | Yes | Yes |
| | Evaporator Condensate | Automatically | Automatically |

* **Note:** For keg capacities and layouts, go to www.perlick.com.



SELF-CONTAINED DIRECT DRAW CONCESSIONAIRE
2- and 3-Door

Note: All Dispensing Towers shown are optional and must be ordered separately.



95181
 REV B
 CJK
 11/17/20

Form No. 95170
 Rev. 09.08.23