



DFI786XXLSOF.U

Integrated dishwasher

General description

Turbo Combi Drying
Product line: Style
Mode of installation: Panel Ready
Size: XXL
Number of baskets: 4
Number of place settings: 18 place settings
Upper basket type: Exclusive
Middle basket: Removable rack for large utensils; Removable rack for bowls, cups and glasses; Handle; Middle basket connection fitted with non-return valve; Guide rails with ball bearings for middle rack
Lower basket type: Exclusive
Removable cutlery basket for easy unloading



Construction

- Welded stainless steel container
- Exterior float - detects water leakage on the base
- Stand by water protection
- Anti-block drain pump
- 8 Steel™ Construction
- Hidden heater
- SCS+ - Super Cleaning System+™
- Sensi Clean™ Sensor - measures dirtiness level
- Softener
- Number of spray arms: 3
- Number of spray zones: 10
- Twin Tubes™ - separate spray zone for the middle basket
- Turbo Combi Drying
- Automatic door opening
- Cutlery Power Zone - extra dishwashing power for the cutlery basket

Use and flexibility

- Number of place settings: 18 place settings
- Number of baskets: 4
- Upper basket type: Exclusive
- Upper basket system: Easy height adjustable with lever
- Guide rails with ball bearings for upper basket
- China Guard - protects fragile load from the rotating spray arm
- Middle basket: Removable rack for large utensils; Removable rack for bowls, cups and glasses; Handle; Middle basket connection fitted with non-return valve; Guide rails with ball bearings for middle rack
- Lower basket type: Exclusive
- Vase and bottle holder
- Tight mesh base in the baskets
- Removable cutlery basket for easy unloading
- 4 led lights
- Required inlet water pressure: 0,03-1 MPa

Interaction & control

- Display Type: TFT Top Display
- Ability to create own programs: Memory program
- Number of programs: 15
- Number of options: 11
- Status Light™
- Time remaining indicator: Yes
- Cycle end indication: Displayed with sound and light
- Adaptable power zones
- Adaptable water pressure

Programs

- 15 Programs: Normal wash; Automatic program; Intensive program; ECO wash; Time program;

- Plastic wash; Rinse and hold; Upper half; Lower half; Crystal glass; Quick Pro wash; Self-cleaning; Light wash; Sanitize; Anti odour
 - Delayed start: 1-24 hours
 - Green mode
 - Speed mode
 - Night mode
 - Heat boost mode
 - Normal mode
-

Design & integration

- From front adjustable door spring
 - From front adjustable rear foot
 - Velcro strips
 - Trim kit
 - Multi fit outlet hose
 - Simplified installation with integrated anti-siphon
 - Depth (incl. wall spacing): 21 7/8" (555 mm)
 - Height setting: 2 1/16" (53 mm)
 - Possible adjustment of kick plate: 1 3/16 - 3 10/16" (30-94 mm)
-

Safety & Maintenance

- Aqua Safe™
 - Kid Safe™ - lockable controls
 - Rinse-aid indication: Notification in display
 - Salt indication: Salt indication: Notification in display
-

Technical data

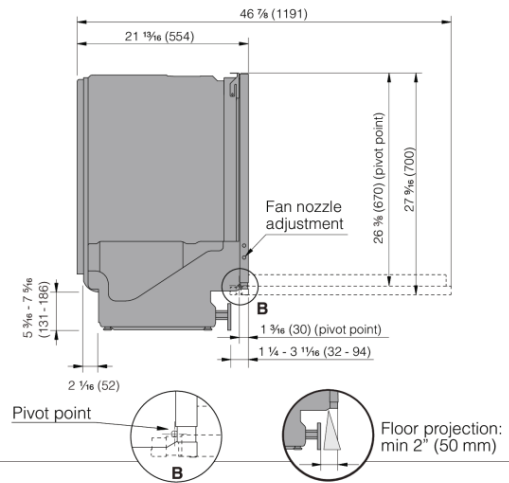
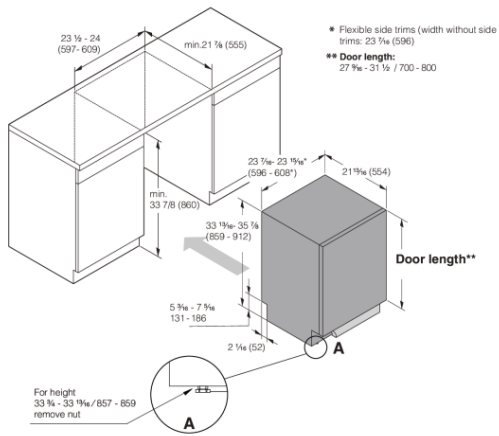
- Hot or cold water connection - 9/16
 - Max. temperature of inflow water: 140 F
 - Noise level: 39 dB(A)
 - Duration of normal wash cycle: 125 min
 - Estimated annual energy consumption: 230 kWh
 - Energy consumption/cycle: 1 kWh
 - Estimated annual water consumption: 687 US Gal
 - Water consumption/cycle: 3 US Gal
 - Consumption in standby mode: 0.5 W
 - Connection rating: 1300 W
 - Number of phases: 1
 - Current: 15 A
 - Frequency: 60 Hz
 - Required inlet water pressure: 0,03-1 MPa
 - Net weight: 107 lbs
-

Dimensions

- Width: 23 15/16" (608 mm)
 - Height: 33 13/16" (859 mm)
 - Depth: 21 13/16" (554 mm)
 - Maximum product height: 35 7/8" (912 mm)
 - Cord length: 71 7/16" (1815 mm)
 - Depth with door open: 48 7/16" (1231 mm)
 - Length of inflow hose: 64 3/16" (1630 mm)
 - Length of outflow hose: 90 9/16" (2300 mm)
-

Logistic information

- Packaging width: 25 3/16" (640 mm)
 - Packaging height: 36 5/8" (930 mm)
 - Packaging depth: 26 3/4" (680 mm)
 - Total weight of packaged product: 114 lbs
 - Code: 740094
 - EAN code: 3838782628535
 - Market: Domestic
 - Range: Style
-



Door trajectories

