

DGC 7440 AM

24" Compact Combi-Steam Oven XL

for steam cooking, baking, roasting with networking + BrilliantLight.



- Large clear-text display with sensor controls – DirectSensor
- Perfect results – DualSteam technology
- Crispy on the outside, succulent on the inside – Combi-Steam
- Convenient operation – water container behind lift-up panel
- Easy cleaning – PerfectClean stainless steel oven compartment

EAN: 4002516487937 / Material number: 11876950 /  
Old Material Number: 23744042USA

General information	
Model number	DGC 7440 AM
Manufacturer material number	11876950
EAN number	4002516487937
Marketing class	Gold
Construction type and design	
PureLine	•
Construction type and design	
Combi-steam oven	•
Color	Clean Touch Steel
Convenience features	
Rapid PreHeat	•
Preheating	•
External steam generation	•
Climate sensor	•
Individual humidity settings in combination cooking	•
Menu cooking without transfer of taste	•
Miele Mix & Match	•
Automatic programs with individual setting of the cooking result	•
Keep-warm function	•
Crisp Function	•
Operating modes	
Convection	•
Convection Roast	•
Surround	•
Steam cooking	•
Combi-Steam	•
Combi cooking	•
Combi-Steam with Convection Bake	•
Combi-Steam with Surround	•
Combi-Steam with Maxi Broil	•
Sous-vide	•
Intensive	•
Convection Broil	•
Maxi Broil	•
Broil	•
Broiling operating modes	•
Browning	•
Bake	•
Humidity Plus	•
Defrost	•
Roast with moisture	•
Reheating	•
Warm-up cookware	•
Automatic programs	•
Country-specific automatic programs	•
Special Modes	•

DGC 7440 AM

24" Compact Combi-Steam Oven XL

for steam cooking, baking, roasting with networking + BrilliantLight.



EAN: 4002516487937 / Material number: 11876950 /  
Old Material Number: 23744042USA

<b>User convenience</b>	
Networking with Miele@home	•
Display	DirectSensor
Symbols on control panel	•
SoftOpen	•
SoftClose	•
MultiLingua	•
Motorized lift-up control panel with SoftClose	•
Quantity-independent cooking	•
Steam cooking on up to 3 levels at the same time	•
Menu cooking	•
Steam reduction before end of programme	•
Timers	•
Time of day display	•
Date display	•
Minute minder	•
Programming start of cooking duration	•
Programming end of cooking duration	•
Programmable cooking time	•
Actual temperature display	•
Desired temperature display	•
Audible signal when desired temperature is reached	•
Default temperature	•
Favorites	•
Sabbath program	•
Individual settings	•
<b>Cleaning convenience</b>	
Clean Touch Steel surface	•
Stainless steel oven compartment with linen-weave pattern and PerfectClean finish	•
Foldable broil heater element	•
External steam generator	•
Maintenance programs	•
Soak program	•
Rinse program	•
Cavity drying program	•
Quick-release side racks	•
Removable side racks	•
Descaling	•
CleanGlass door	•
<b>Steam technology/water supply</b>	
DualSteam	•
Fresh water container volume in l	1.4
Fresh-water container tank behind motorized lift-up control panel with SoftClose	•
Condensate container behind motorized lift-up control panel with SoftClose	•
DirectWater	No
Drain filter	•

DGC 7440 AM

24" Compact Combi-Steam Oven XL

for steam cooking, baking, roasting with networking + BrilliantLight.

EAN: 4002516487937 / Material number: 11876950 /  
Old Material Number: 23744042USA

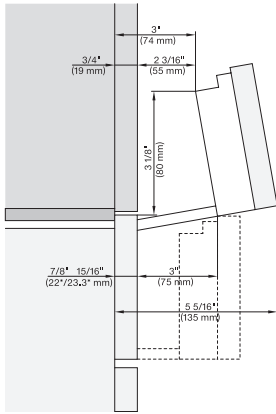
<b>Safety</b>	
Cooling system with cool touch front	•
Appliance cooling system and cool touch front	•
Safety shut-off	•
Safety cut-out	•
System lock	•
Vapor cooling system	•
Sensor lock	•
<b>Technical data</b>	
Cavity volume in cu.ft (l)	1.7 (48.0)
No. of rack levels	3
Labeling of rack levels	•
Door hinge side	Bottom
Oven interior lighting	BrilliantLight
Plug type	NEMA plug: 6-20
Oven mode temperatures in °F (°C)	85-450 °F (30-230 °C)
Niche dimensions (W x H x D) in inches (mm)	22 (560)-568 x 450-452 x 555
Niche dimensions (W x H x D) in inches (mm)	22 (560)-22 3/8 (568) x 17 3/4 (450)-17 3/4 (452) x 21 7/8 (555)
Niche width min. in inches (mm)	22 (560)
Niche width max. in inches (mm)	22 3/8 (568)
Niche width max. in inches (mm)	568
Niche height min. in inches (mm)	17 3/4 (450)
Niche height min. in inches (mm)	450
Niche height max. in inches (mm)	17 3/4 (452)
Niche height max. in inches (mm)	452
Niche depth in in. (mm)	555
Niche depth in in. (mm)	21 7/8 (555)
Appliance dimensions (W x H x D) in inches (mm)	23 3/8 (595) x 18 (456) x 22 3/8 (569)
Appliance dimensions (W x H x D) in inches (mm)	23 1/2 (595) x 18 (456) x 22 1/2 (569)
Weight in lbs. (kg)	91 (41.2)
Weight in lbs. (kg)	90.83 (41.2)
Weight in lbs. (kg)	91 (41.2)
Total connected load in kW	2.80-3.70
Power Rating in V	0
Usable voltage range in V	240/208
Frequency in Hz	60
Fuse rating in A	20
Number of phases	2
Connection wire with plug	•
Length of power cord in in. (m)	2
Replacing bulbs	Customer Service
<b>Standard accessories</b>	
Universal tray with PerfectClean HUBB 71	1
Wire rack with PerfectClean HBBR 71	1



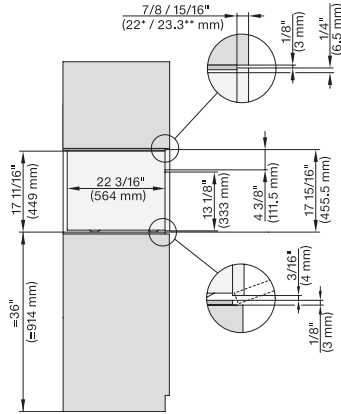
## DGC 7440 AM

### 24" Compact Combi-Steam Oven XL

for steam cooking, baking, roasting with networking + BrilliantLight.

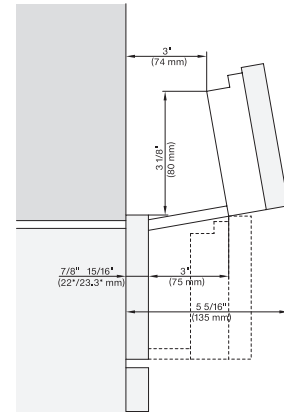


Swivel range Flush inset DGC XL, installation drawing, NA  
7/8" – 22\* mm – Glas, 15/16" – 23.3\*\* mm – Edelstahl



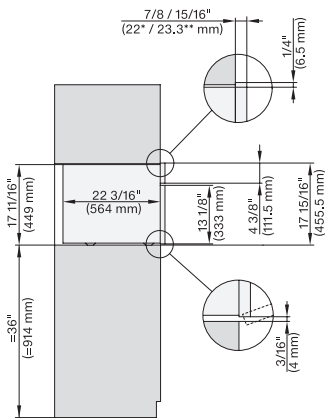
side view 30 inch Flush inset DGC XL, installation drawing, NA

7/8" – 22\* mm – Glas, 15/16" – 23.3\*\* mm – Edelstahl



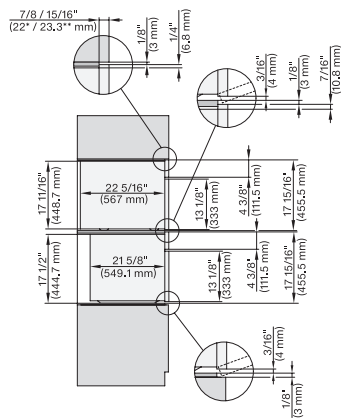
swivel range Proud DGC XL, installation drawing, NA

7/8" – 22\* mm – Glas, 15/16" – 23.3\*\* mm – Edelstahl



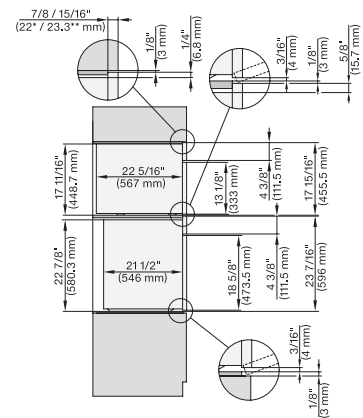
side view 30 inch Proud DGC XL, installation drawing, NA

7/8" – 22\* mm – Glas, 15/16" – 23.3\*\* mm – Edelstahl



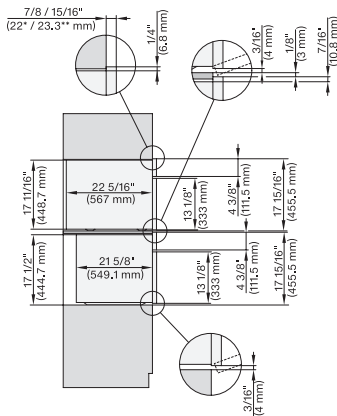
DGC 6x00-1 + EBA 6808, H 6x00 BM + EBA 6808, DGC7xxx, H7xxx, EBA7848 Combi, Installation drawing, Flush inset, NA

7/8" – 22\* mm – Glas, 15/16" – 23.3\*\* mm – Edelstahl



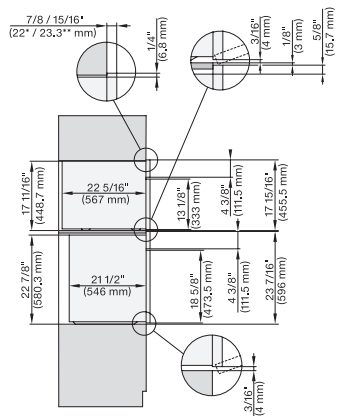
DGC6x00-1+EBA 6808, H 6560B+EBA 6808, H 6x60 BP+EBA6808, DGC7xxx, H7xxx, EBA78x8 Combi, Install. drawi., Flush inset, NA

7/8" – 22\* mm – Glas, 15/16" – 23.3\*\* mm – Edelstahl



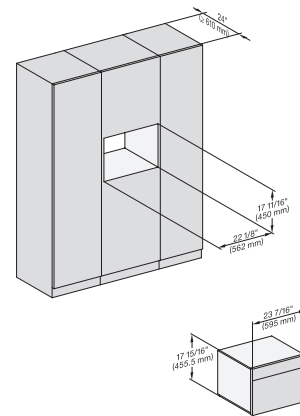
DGC 6x00-1 + EBA6808, H 6x00 BM+EBA 6808, DGC7x4x(+EBA7848), H7x40BM(+EBA7848), Combi, Installation drawing, Proud, NA

7/8" – 22\* mm – Glas, 15/16" – 23.3\*\* mm – Edelstahl



DGCxxx-1+EBAx8x8, H6560B+EBA6808, HxxxBP+EBAx8x8, Combi, Installation Drawing, Proud, Flush inset, NA

7/8" – 22\* mm – Glas, 15/16" – 23.3\*\* mm – Edelstahl

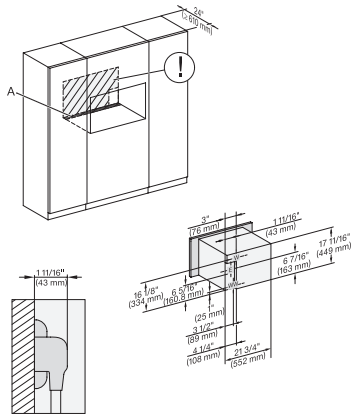


installation Proud 450S, installation drawing, NA

## DGC 7440 AM

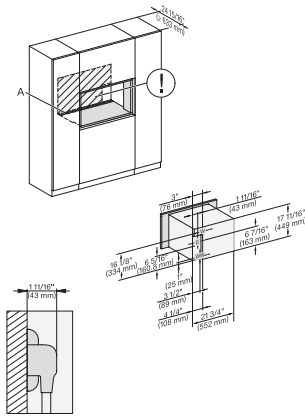
### 24" Compact Combi-Steam Oven XL

for steam cooking, baking, roasting with networking + BrilliantLight.



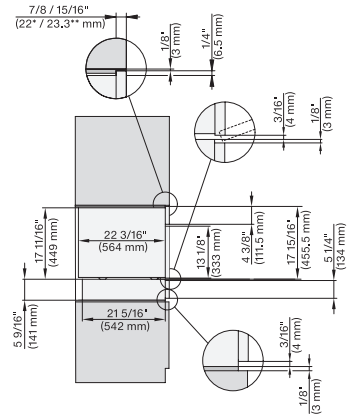
installation 30 inch Proud DGC XL, installation drawing, Na

A – Cut-out (1 9/16" x 19 11/16" / 40 mm x 500 mm) in the bottom of the cabinet for power cord and ventilation, – Electrical and water supplies are recommended to be placed in adjacent cabinetry., Additional cabinet depth is required when placing the electrical and water supplies behind the appliance., E = Electric connection



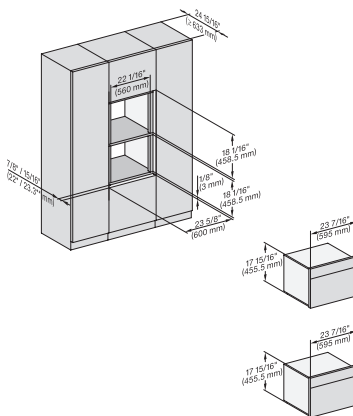
installation 30 inch Flush inset DGC XL, installation drawing, NA

A – Cut-out (1 9/16" x 19 11/16" / 40 mm x 500 mm) in the bottom of the cabinet for power cord and ventilation, – Electrical and water supplies are recommended to be placed in adjacent cabinetry., Additional cabinet depth is required when placing the electrical and water supplies behind the appliance., E = Electric connection



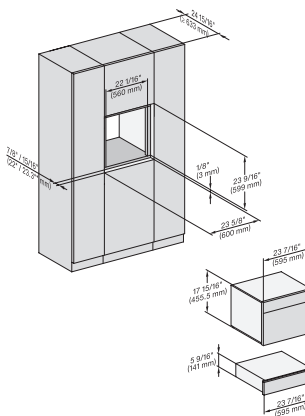
side view, Flush inset, DGC combi XL, ESW

7/8" – 22\* mm – Glass, 15/16" – 23.3\*\* mm – Stainless steel, DGC: Minimum installation height 36" – 914 mm from floor to the device installation surface



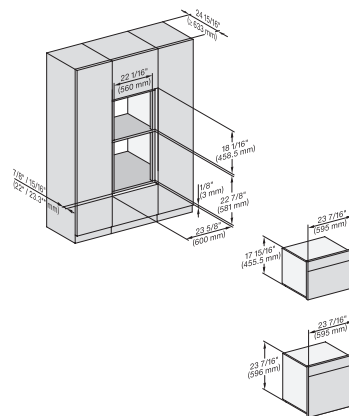
Installation Flush inset combi 450S

7/8" – 22\* mm – Glass, 15/16" – 23.3\*\* mm – Stainless steel, DGC: Minimum installation height 36" – 914 mm from floor to the device installation surface



Einbau, Flush inset, combi, 450S, ESW

7/8" – 22\* mm – Glass, 15/16" – 23.3\*\* mm – Stainless steel, DGC: Minimum installation height 36" – 914 mm from floor to the device installation surface



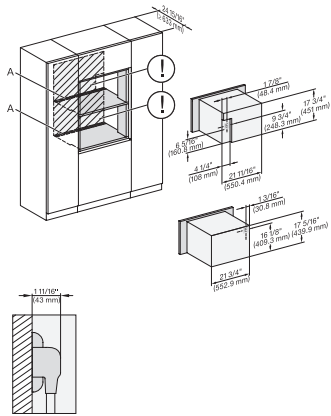
Installation Flush inset, combi, 650S, 450S

7/8" – 22\* mm – Glass, 15/16" – 23.3\*\* mm – Stainless steel, DGC: Minimum installation height 36" – 914 mm from floor to the device installation surface,

## DGC 7440 AM

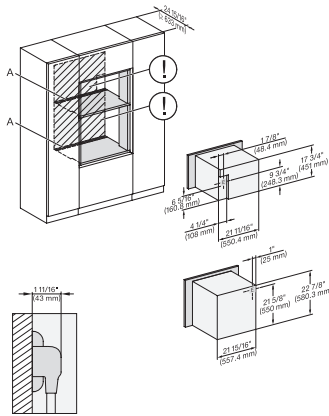
### 24" Compact Combi-Steam Oven XL

for steam cooking, baking, roasting with networking + BrilliantLight.



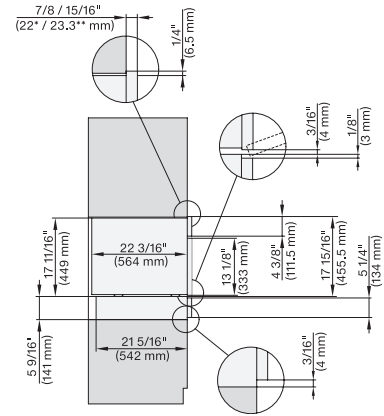
DGC7xxx+EBA7848, H7x40BM (+EBA7848), Installation, 30 Zoll, Flush inset, combi, XL, 450S

A – Cut-out (4" x 28" / 100 mm x 720 mm) in the bottom of the cabinet for power cord and ventilation, – Electrical and water supplies are recommended to be placed in adjacent cabinetry, Additional cabinet depth is required when placing the electrical and water supplies behind the appliance., E = Electric connection



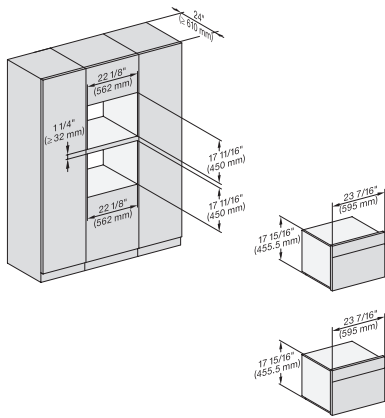
DGC7x4x(+EBA7848), H7x6xBP(+EBA7848), Installation, 30 Zoll, Flush inset, combi, XL, 650S

A – Cut-out (4" x 28" / 100 mm x 720 mm) in the bottom of the cabinet for power cord and ventilation, – Electrical and water supplies are recommended to be placed in adjacent cabinetry, Additional cabinet depth is required when placing the electrical and water supplies behind the appliance., E = Electric connection



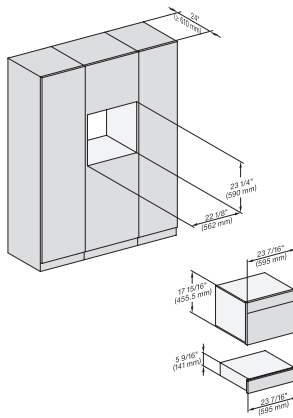
side view, Proud, combi, DGC XL ESW

7/8" – 22\* mm – Glass, 15/16" – 23.3\*\* mm – Stainless steel, DGC: Minimum installation height 36" – 914 mm from floor to the device installation surface



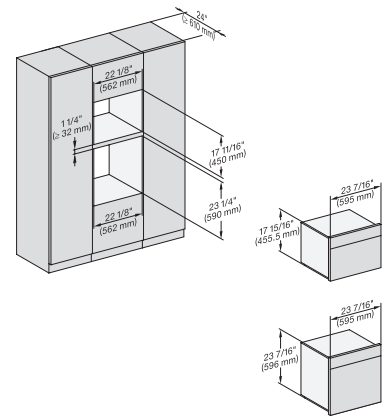
Installation Proud, combi, 450S

DGC: Minimum installation height 36" – 914 mm from floor to the device installation surface



Installation Proud, combi, 450S ESW

DGC: Minimum installation height 36" – 914 mm from floor to the device installation surface



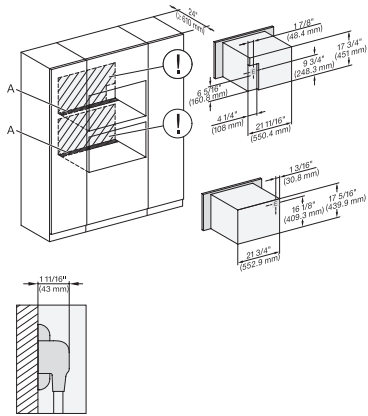
Installation Proud, combi, 650S, 450S

DGC: Minimum installation height 36" – 914 mm from floor to the device installation surface

## DGC 7440 AM

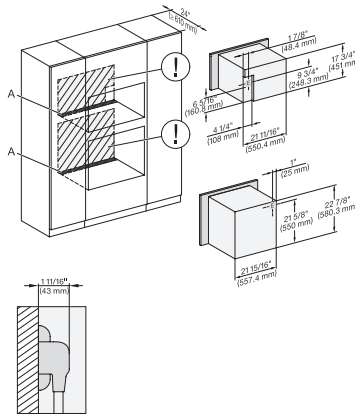
### 24" Compact Combi-Steam Oven XL

for steam cooking, baking, roasting with networking + BrilliantLight.



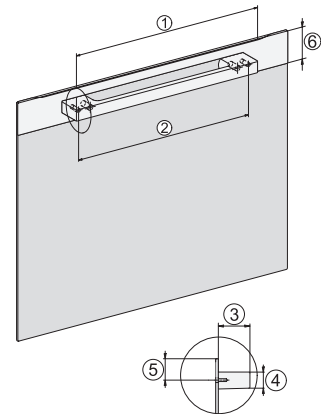
DGC7x4x(+EBA7848), H7x40BM(+EBA7848), Installation, 30 Zoll, Proud, combi, XL, 450S

A – Cut-out (4" x 28" / 100 mm x 720 mm) in the bottom of the cabinet for power cord and ventilation, – Electrical and water supplies are recommended to be placed in adjacent cabinetry, Additional cabinet depth is required when placing the electrical and water supplies behind the appliance., E = Electric connection



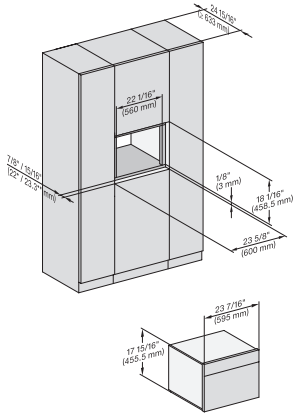
DGC7x4x(+EBA7848), H7x6x(+EBA7848), Installation, 30 Zoll, Proud, combi, XL, 650S

A – Cut-out (4" x 28" / 100 mm x 720 mm) in the bottom of the cabinet for power cord and ventilation, – Electrical and water supplies are recommended to be placed in adjacent cabinetry, Additional cabinet depth is required when placing the electrical and water supplies behind the appliance., E = Electric connection



Handle DGCT74xx, DGC76xx, DGC78xx, PureLine – NA7000 - Installation drawing

DGC7470, DGC7670, DGC7870, DGC7875, DGC7680, DGC7685, DGC7880, DGC7885; [2] 19 11/16" / 500 mm, [2] 17 1/2" / 444 mm, [2] 1 7/8" / 47 mm, [2] 15/16" / 24 mm, [2] 1 1/4" / 32,5 mm, [2] 2 9/16" / 65 mm, , DGC7440, DGC7640, DGC7840, DGC7845, DGC7860, DGC7865; [2] 15 3/4" / 400 mm, [2] 14 3/16" / 360 mm, [2] 1 7/8" / 47 mm, [2] 15/16" / 24 mm, [2] 1 1/4" / 32,5 mm, [2] 2 9/16" / 65 mm



installation Flush inset 450S, installation drawing, NA

7/8" – 22\* mm – Glass, 15/16" – 23.3\*\* mm – Stainless steel, DGC: Minimum installation height 36" – 914 mm from floor to the device installation surface