

DGC 7440 AM

24" Compact Combi-Steam Oven XL

for steam cooking, baking, roasting with networking + BrilliantLight.



- Large clear-text display with sensor controls – DirectSensor
- Perfect results – DualSteam technology
- Crispy on the outside, succulent on the inside – Combi-Steam
- Convenient operation – water container behind lift-up panel
- Easy cleaning – PerfectClean stainless steel oven compartment

EAN: 4002516487937 / Material number: 11876950 /  
Old Material Number: 23744042USA

| General information  |                   |
|--|-------------------|
| Model number   | DGC 7440 AM       |
| Manufacturer material number                                     | 11876950          |
| EAN number   | 4002516487937     |
| Class  | Gold              |
| Construction type and design                                     |                   |
| Color  | Clean Touch Steel |
| PureLine   | •                 |
| Construction type and design                                     |                   |
| Combi-steam oven   | •                 |
| Convenience features   |                   |
| Rapid PreHeat  | •                 |
| Preheating   | •                 |
| External steam generation  | •                 |
| Climate sensor   | •                 |
| Individual humidity settings in combination cooking              | •                 |
| Menu cooking without transfer of taste                           | •                 |
| Miele Mix & Match  | •                 |
| Automatic programs with individual setting of the cooking result | •                 |
| Keep-warm function   | •                 |
| Crisp Function   | •                 |
| Operating modes  |                   |
| Convection   | •                 |
| Convection Roast   | •                 |
| Surround   | •                 |
| Steam cooking  | •                 |
| Combi-Steam  | •                 |
| Combi cooking  | •                 |
| Combi-Steam with Convection Bake                                 | •                 |
| Combi-Steam with Surround  | •                 |
| Combi-Steam with Maxi Broil                                      | •                 |
| Sous-vide  | •                 |
| Intensive  | •                 |
| Convection Broil   | •                 |
| Maxi Broil   | •                 |
| Broil  | •                 |
| Broiling operating modes   | •                 |
| Browning   | •                 |
| Bake   | •                 |
| Humidity Plus  | •                 |
| Defrost  | •                 |
| Roast with moisture  | •                 |
| Reheating  | •                 |
| Warm-up cookware   | •                 |
| Automatic programs   | •                 |
| Country-specific automatic programs                              | •                 |
| Special Modes  | •                 |

DGC 7440 AM

24" Compact Combi-Steam Oven XL

for steam cooking, baking, roasting with networking + BrilliantLight.



EAN: 4002516487937 / Material number: 11876950 /  
Old Material Number: 23744042USA

| <b>User convenience</b>   |              |
|---|--------------|
| Networking with Miele@home  | •            |
| Display   | DirectSensor |
| Symbols on control panel  | •            |
| SoftOpen  | •            |
| SoftClose   | •            |
| MultiLingua   | •            |
| Motorized lift-up control panel with SoftClose                                    | •            |
| Quantity-independent cooking  | •            |
| Steam cooking on up to 3 levels at the same time                                  | •            |
| Menu cooking  | •            |
| Steam reduction before end of programme   | •            |
| Timers  | •            |
| Time of day display   | •            |
| Date display  | •            |
| Minute minder   | •            |
| Programming start of cooking duration   | •            |
| Programming end of cooking duration   | •            |
| Programmable cooking time   | •            |
| Actual temperature display  | •            |
| Desired temperature display   | •            |
| Audible signal when desired temperature is reached                                | •            |
| Default temperature   | •            |
| Favorites   | •            |
| Sabbath program   | •            |
| Individual settings   | •            |
| <b>Cleaning convenience</b>   |              |
| Clean Touch Steel surface   | •            |
| Stainless steel oven compartment with linen-weave pattern and PerfectClean finish | •            |
| Foldable broil heater element   | •            |
| External steam generator  | •            |
| Maintenance programs  | •            |
| Soak program  | •            |
| Rinse program   | •            |
| Cavity drying program   | •            |
| Quick-release side racks  | •            |
| Removable side racks  | •            |
| Descaling   | •            |
| CleanGlass door   | •            |
| <b>Steam technology/water supply</b>  |              |
| DualSteam   | •            |
| Fresh water container volume in l   | 1.4          |
| Fresh-water container tank behind motorized lift-up control panel with SoftClose  | •            |
| Condensate container behind motorized lift-up control panel with SoftClose        | •            |
| DirectWater   | No           |
| Drain filter  | •            |

DGC 7440 AM

24" Compact Combi-Steam Oven XL

for steam cooking, baking, roasting with networking + BrilliantLight.

EAN: 4002516487937 / Material number: 11876950 /

Old Material Number: 23744042USA

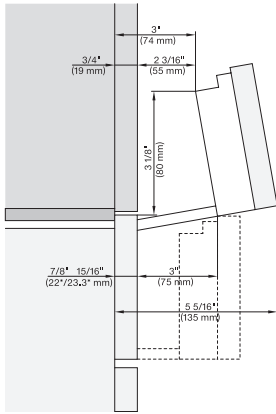
| <b>Safety</b>                                   |  |
|---|--|
| Cooling system with cool touch front            | •  |
| Appliance cooling system and cool touch front   | •  |
| Safety shut-off                                 | •  |
| Safety cut-out                                  | •  |
| System lock                                     | •  |
| Vapor cooling system                            | •  |
| Sensor lock                                     | •  |
| <b>Technical data</b>                           |  |
| Cavity volume in cu.ft (l)                      | 1.7 (48.0)   |
| No. of rack levels                              | 3  |
| Labeling of rack levels                         | •  |
| Door hinge side                                 | Bottom   |
| Oven interior lighting                          | BrilliantLight   |
| Oven mode temperatures in °F (°C)               | 85-450 °F (30-230 °C)  |
| Niche dimensions (W x H x D) in inches (mm)     | 560-568 x 450-452 x 555  |
| Niche dimensions (W x H x D) in inches (mm)     | 22 1/8 (560)-22 3/8 (568)<br>x 17 3/4 (450)-17 7/8 (452)<br>x 21 7/8 (555) |
| Niche width min. in inches (mm)                 | 22 1/8 (560)   |
| Niche width min. in inches (mm)                 | 560  |
| Niche width max. in inches (mm)                 | 22 3/8 (568)   |
| Niche width max. in inches (mm)                 | 568  |
| Niche height min. in inches (mm)                | 17 3/4 (450)   |
| Niche height min. in inches (mm)                | 450  |
| Niche height max. in inches (mm)                | 17 7/8 (452)   |
| Niche height max. in inches (mm)                | 452  |
| Niche depth in in. (mm)                         | 555  |
| Niche depth in in. (mm)                         | 21 7/8 (555)   |
| Appliance dimensions (W x H x D) in inches (mm) | 23 1/2 (595) x 18 (456) x<br>22 1/2 (569)                                  |
| Appliance width in in. (mm)                     | 23 1/2 (595)   |
| Appliance width in in. (mm)                     | 595  |
| Appliance width in in. (mm)                     | 23 1/2 (595)   |
| Appliance height in in. (mm)                    | 18 (456)   |
| Appliance height in in. (mm)                    | 455.5  |
| Appliance height in in. (mm)                    | 18 (456)   |
| Appliance depth in in. (mm)                     | 22 1/2 (569)   |
| Appliance depth in in. (mm)                     | 568.5  |
| Appliance depth in in. (mm)                     | 22 1/2 (569)   |
| Weight in lbs. (kg)                             | 91 (41.2)  |
| Weight in lbs. (kg)                             | 90.83 (41.2)   |
| Weight in lbs. (kg)                             | 91 (41.2)  |
| Total connected load in kW                      | 2.80-3.70  |
| Power Rating in V                               | 0  |
| Usable voltage range in V                       | 240/208  |
| Frequency in Hz                                 | 60   |
| Fuse rating in A                                | 20   |
| Number of phases                                | 2  |



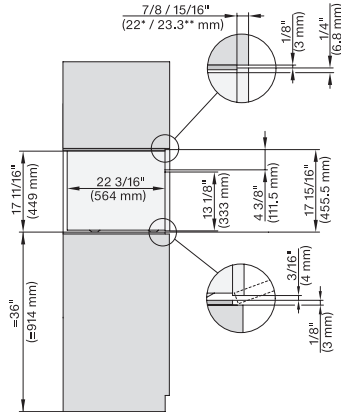
## DGC 7440 AM

### 24" Compact Combi-Steam Oven XL

for steam cooking, baking, roasting with networking + BrilliantLight.

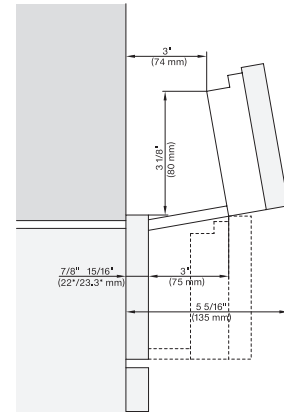


Swivel range Flush inset DGC XL, installation drawing, NA  
7/8" – 22\* mm – Glas, 15/16" – 23.3\*\* mm – Edelstahl



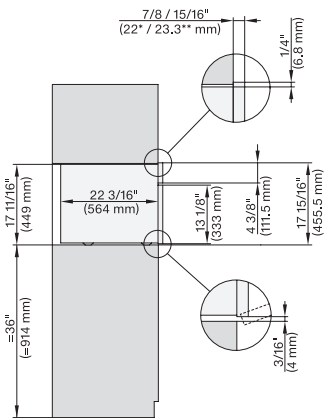
side view 30 inch Flush inset DGC XL, installation drawing, NA

7/8" – 22\* mm – Glas, 15/16" – 23.3\*\* mm – Edelstahl



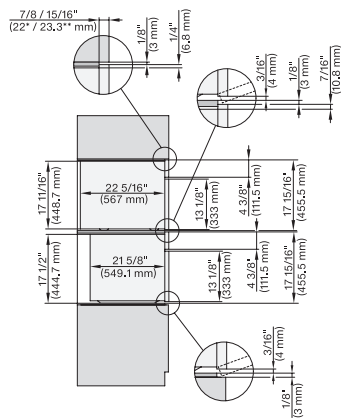
swivel range Proud DGC XL, installation drawing, NA

7/8" – 22\* mm – Glas, 15/16" – 23.3\*\* mm – Edelstahl



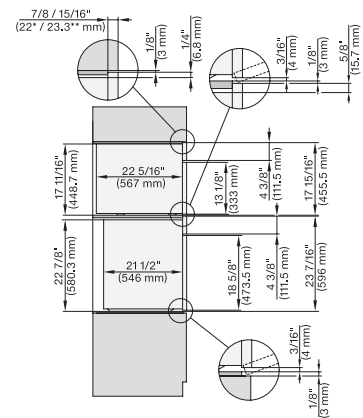
side view 30 inch Proud DGC XL, installation drawing, NA

7/8" – 22\* mm – Glas, 15/16" – 23.3\*\* mm – Edelstahl



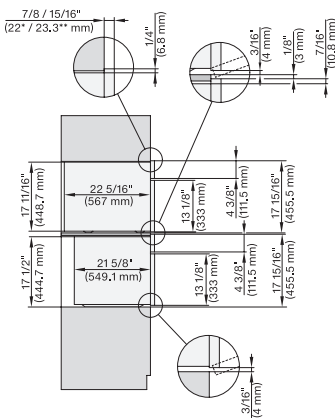
DGC 6x00-1 + EBA 6808, H 6x00 BM + EBA 6808, DGC7xxx, H7xxx, EBA7848 Combi, Installation drawing, Flush inset, NA

7/8" – 22\* mm – Glas, 15/16" – 23.3\*\* mm – Edelstahl



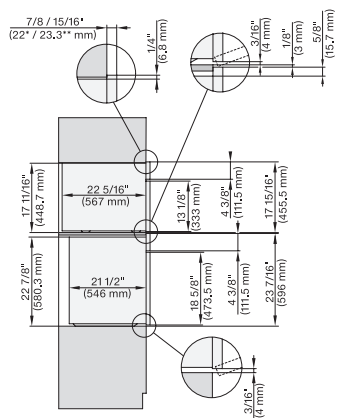
DGC6x00-1+EBA 6808, H 6560B+EBA 6808, H 6x60 BP+EBA6808, DGC7xxx, H7xxx, EBA78x8 Combi, Install. drawi., Flush inset, NA

7/8" – 22\* mm – Glas, 15/16" – 23.3\*\* mm – Edelstahl



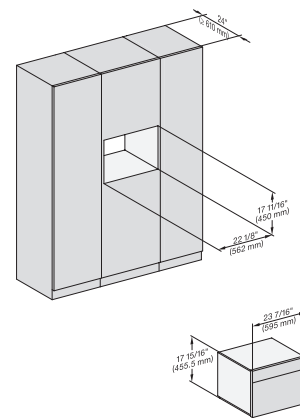
DGC 6x00-1 + EBA6808, H 6x00 BM+EBA 6808, DGC7x4x(+EBA7848), H7x40BM(+EBA7848),Combi, Installation drawing, Proud, NA

7/8" – 22\* mm – Glas, 15/16" – 23.3\*\* mm – Edelstahl



DGCxxx-1+EBAx8x8, H6560B+EBA6808, HxxxBP+EBAx8x8, Combi, Installation Drawing, Proud, Flush inset, NA

7/8" – 22\* mm – Glas, 15/16" – 23.3\*\* mm – Edelstahl

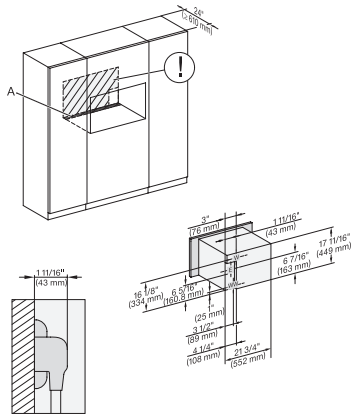


installation Proud 450S, installation drawing, NA

## DGC 7440 AM

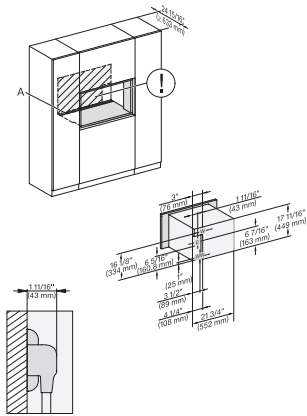
### 24" Compact Combi-Steam Oven XL

for steam cooking, baking, roasting with networking + BrilliantLight.



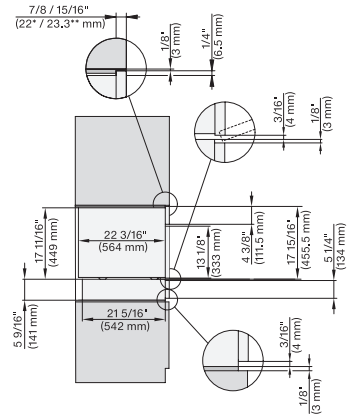
installation 30 inch Proud DGC XL, installation drawing, Na

A – Cut-out (1 9/16" x 19 11/16" / 40 mm x 500 mm) in the bottom of the cabinet for power cord and ventilation, – Electrical and water supplies are recommended to be placed in adjacent cabinetry., Additional cabinet depth is required when placing the electrical and water supplies behind the appliance., E = Electric connection



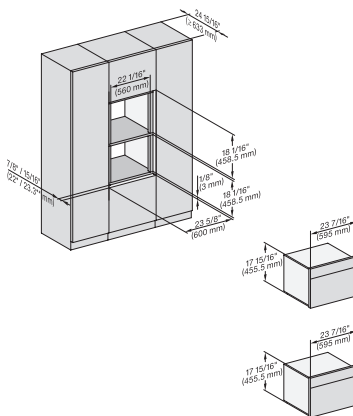
installation 30 inch Flush inset DGC XL, installation drawing, NA

A – Cut-out (1 9/16" x 19 11/16" / 40 mm x 500 mm) in the bottom of the cabinet for power cord and ventilation, – Electrical and water supplies are recommended to be placed in adjacent cabinetry., Additional cabinet depth is required when placing the electrical and water supplies behind the appliance., E = Electric connection



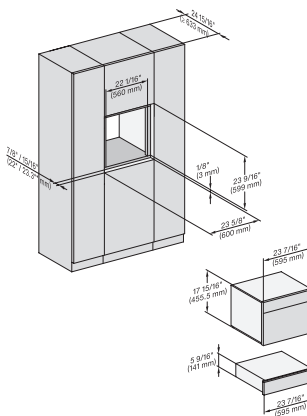
side view, Flush inset, DGC combi XL, ESW

7/8" – 22\* mm – Glass, 15/16" – 23.3\*\* mm – Stainless steel, DGC: Minimum installation height 36" – 914 mm from floor to the device installation surface



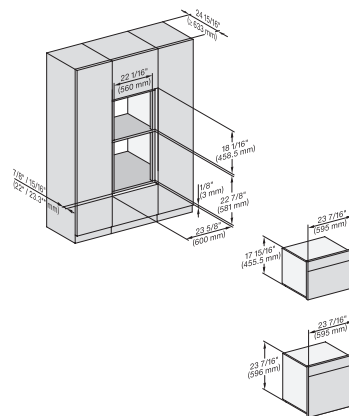
Installation Flush inset combi 450S

7/8" – 22\* mm – Glass, 15/16" – 23.3\*\* mm – Stainless steel, DGC: Minimum installation height 36" – 914 mm from floor to the device installation surface



Einbau, Flush inset, combi, 450S, ESW

7/8" – 22\* mm – Glass, 15/16" – 23.3\*\* mm – Stainless steel, DGC: Minimum installation height 36" – 914 mm from floor to the device installation surface



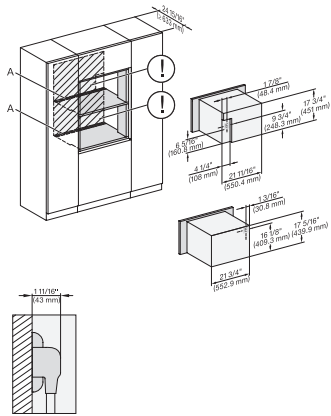
Installation Flush inset, combi, 650S, 450S

7/8" – 22\* mm – Glass, 15/16" – 23.3\*\* mm – Stainless steel, DGC: Minimum installation height 36" – 914 mm from floor to the device installation surface,

## DGC 7440 AM

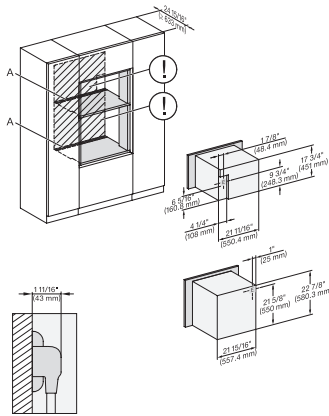
### 24" Compact Combi-Steam Oven XL

for steam cooking, baking, roasting with networking + BrilliantLight.



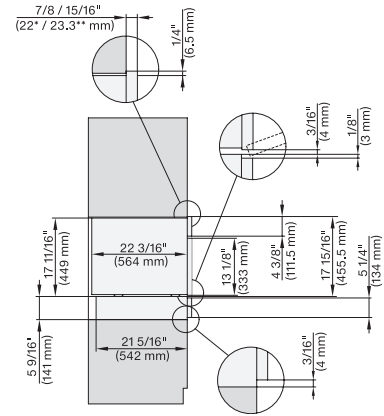
DGC7xxx+EBA7848, H7x40BM (+EBA7848), Installation, 30 Zoll, Flush inset, combi, XL, 450S

A – Cut-out (4" x 28" / 100 mm x 720 mm) in the bottom of the cabinet for power cord and ventilation, – Electrical and water supplies are recommended to be placed in adjacent cabinetry, Additional cabinet depth is required when placing the electrical and water supplies behind the appliance., E = Electric connection



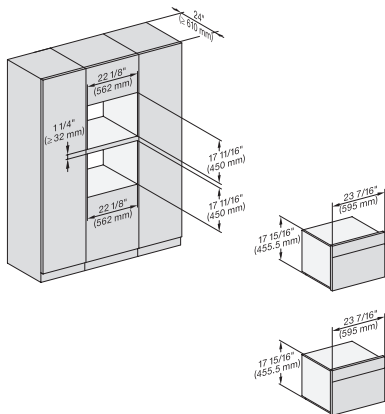
DGC7x4x(+EBA7848), H7x6xBP(+EBA7848), Installation, 30 Zoll, Flush inset, combi, XL, 650S

A – Cut-out (4" x 28" / 100 mm x 720 mm) in the bottom of the cabinet for power cord and ventilation, – Electrical and water supplies are recommended to be placed in adjacent cabinetry, Additional cabinet depth is required when placing the electrical and water supplies behind the appliance., E = Electric connection



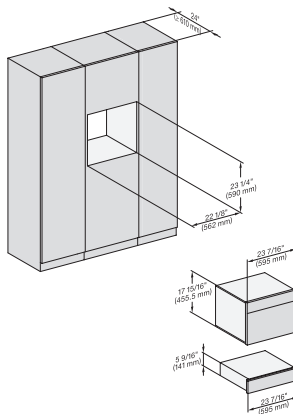
side view, Proud, combi, DGC XL ESW

7/8" – 22\* mm – Glass, 15/16" – 23.3\*\* mm – Stainless steel, DGC: Minimum installation height 36" – 914 mm from floor to the device installation surface



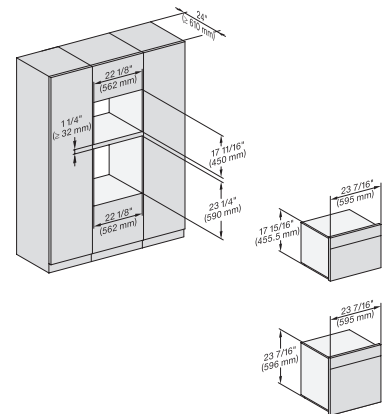
Installation Proud, combi, 450S

DGC: Minimum installation height 36" – 914 mm from floor to the device installation surface



Installation Proud, combi, 450S ESW

DGC: Minimum installation height 36" – 914 mm from floor to the device installation surface



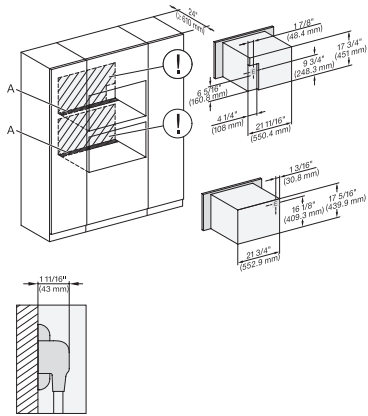
Installation Proud, combi, 650S, 450S

DGC: Minimum installation height 36" – 914 mm from floor to the device installation surface

## DGC 7440 AM

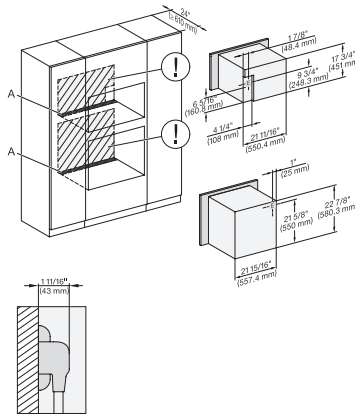
### 24" Compact Combi-Steam Oven XL

for steam cooking, baking, roasting with networking + BrilliantLight.



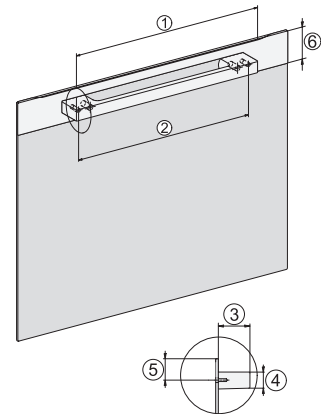
DGC7x4x(+EBA7848), H7x40BM(+EBA7848), Installation, 30 Zoll, Proud, combi, XL, 450S

A – Cut-out (4" x 28" / 100 mm x 720 mm) in the bottom of the cabinet for power cord and ventilation, – Electrical and water supplies are recommended to be placed in adjacent cabinetry, Additional cabinet depth is required when placing the electrical and water supplies behind the appliance., E = Electric connection



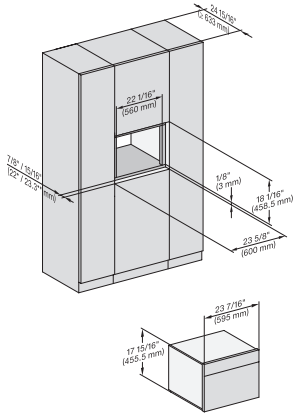
DGC7x4x(+EBA7848), H7x6x(+EBA7848), Installation, 30 Zoll, Proud, combi, XL, 650S

A – Cut-out (4" x 28" / 100 mm x 720 mm) in the bottom of the cabinet for power cord and ventilation, – Electrical and water supplies are recommended to be placed in adjacent cabinetry, Additional cabinet depth is required when placing the electrical and water supplies behind the appliance., E = Electric connection



Handle DGCT74xx, DGC76xx, DGC78xx, PureLine – NA7000 - Installation drawing

DGC7470, DGC7670, DGC7870, DGC7875, DGC7680, DGC7685, DGC7880, DGC7885; [2] 19 11/16" / 500 mm, [2] 17 1/2" / 444 mm, [2] 1 7/8" / 47 mm, [2] 15/16" / 24 mm, [2] 1 1/4" / 32,5 mm, [2] 2 9/16" / 65 mm, , DGC7440, DGC7640, DGC7840, DGC7845, DGC7860, DGC7865; [2] 15 3/4" / 400 mm, [2] 14 3/16" / 360 mm, [2] 1 7/8" / 47 mm, [2] 15/16" / 24 mm, [2] 1 1/4" / 32,5 mm, [2] 2 9/16" / 65 mm



installation Flush inset 450S, installation drawing, NA

7/8" – 22\* mm – Glass, 15/16" – 23.3\*\* mm – Stainless steel, DGC: Minimum installation height 36" – 914 mm from floor to the device installation surface